

SDS 910 COMPUTER
Logic Layouts,
Current and History

SDS 900551C

April 1966

This publication supersedes SDS 900551A dated
April 1965 and SDS 900551B dated December 1964.



SCIENTIFIC DATA SYSTEMS • 1649 Seventeenth Street • Santa Monica, Calif. • (213) 871-0960

PREFACE

This printing of the 910 logic layouts applies to all SDS 910 Computers.

1. Current sheets are the latest revisions. (See page 137.)
2. History sheets start with Revision L. (See page 137.)
3. Revision sheets may be supplied separately and should be collated by the user.

| | | | | | | | | | | | |
|----|---------------------------------------|-----|-----------------|-----|-----------------------------|----|---------------------|----|---------------------------|-----|--------------------------------|
| 87 | Add | 42 | Ø0 | 122 | X-Y Selector | 34 | P1, P2 | 70 | Ts, Ts* | 19 | W4 W5 W6 W9 + |
| 86 | Ag | 97 | Ø0 (scope) | 123 | X-Y Selector | 35 | P3 thru P6 | 97 | Ts (scope) | 19 | W9 W10 W11) |
| 86 | An | 42 | (Ø0 Tp Ia) | 124 | X-Y Selector | 36 | P7 thru P10 | 67 | (Tsm) | 22 | W5 |
| 97 | An (scope) | 89 | (Ø0 T 24 Go) | 125 | Z Driver | 37 | P11 thru P14 | 15 | (Tsm) | 32 | (W5 W6 W9) |
| 84 | Anr | 42 | (Ø0 T24 Ia Go) | 126 | Z Driver | | | 15 | (Tsm Wp), (Tsm Wp) | 30 | W6 |
| 68 | (An C23), (An C23) | 72 | Ø3 | 127 | Z Driver | 45 | Q1, Q2, Q2* | 73 | (Tsm) | 25 | W7, W8 |
| 85 | Ar | 73 | (Ø3 T24) | 128 | Sense Amp & Discriminator | 46 | Q3 | 32 | (Tsw) | 30 | W9 |
| 84 | Aw | 72 | Ø4 thru Ø7 | 129 | Sense Amp & Discriminator | 13 | (Q3 Q4) | 73 | (Tsw) | 19 | (W9 W10 W11 W12 |
| | | | | 130 | Sense Amp & Discriminator | 46 | Q4 | 73 | (Tsy) | | W13 W14) |
| 86 | Bn | 65 | Go | 131 | Sense Amp & Discriminator | 47 | Q5, Q6 | 48 | (Ts (Ø4 + Sk + P0)) | 21 | W10 |
| 97 | Bn (scope) | 62 | [Halt light] | 132 | Sense Amp & Discriminator | | | 48 | T0, T0*, T0 | 31 | W11 |
| 81 | Bnr | 65 | Ht | 133 | Selector Control | 51 | Rf | 48 | T0 (scope) | 26 | W12 |
| 81 | Br | 53 | Ia | 134 | Selector Control | 20 | Rp | 54 | (T0 Ex) | 18 | W13, W14 |
| 81 | Bw | 91 | Ib | 135 | Current & Voltage Regulator | 92 | Rt | 49 | (T5 - T0) | | |
| 72 | Buc = (Eom C10 C11) | 67 | Int | | | 68 | Rfi | 49 | (T9) | | |
| | | 93 | Ioc | 77 | N5, N6, N7, N8 | 28 | R1 | 49 | (T10) | 83 | Xn |
| 74 | Cd0 thru Cd11 | 99 | Ip1 thru Ip4 | 78 | N9, N10 | 27 | R2 | 49 | (T21 + T22) | 97 | Xn (scope) |
| 75 | Cd12 thru Cd23 | 67 | Ir | 79 | N11, N12 | 24 | R3, R4 | 50 | (T22 - T17), (T22 - T17)* | 82 | Xnr |
| 61 | Cg, Cg* | 99 | Is1 thru Is4 | 80 | N13, N14 | 27 | R5 | 50 | (T23) | 82 | Xw |
| 62 | Cp | 94 | Ix | | | 28 | R6 | 49 | T24, T24* | 87 | Xz |
| 63 | Cs, Cs' | 19 | [11w], [12w] | 39 | Oc | 16 | RTM | 48 | T24, T24* | | |
| 90 | Cxi | 55 | Rf* | 95 | Of | 73 | Sc | | | 91 | Yx |
| 61 | Cxm, Cxm' | | | 42 | Oxc | 52 | Sk | 16 | Wc | 87 | Yz |
| 96 | Cz | | | | | 66 | Sks | 26 | We | 30 | Y9 |
| 64 | C0 | 10 | [L1] thru [L6] | 43 | 01 | 39 | Sf | 26 | Wes | | |
| 55 | C1, C2, C3 | 9 | [L7] thru [L14] | 92 | (01 Rf) | 88 | Su | 29 | Wf | | |
| 50 | (C3 + C4) | 12 | (L1) thru (L7) | 92 | (01 02 03 04) | 73 | Sxc, Sxn, Sxp | 16 | (Wf (W0 + W9)) | 33 | Zwp |
| 56 | C4 thru C7 | 11 | (L8) thru (L14) | 90 | (01 02 03 00 Ia) | 93 | Sys | 21 | Wh | 33 | Zw1 thru Zw6 |
| 57 | C8 thru C11 | | | 90 | (01 02 04 05 06 Ø6) | 76 | S1 thru S4 | 32 | Whs (JANUARY FIND) | 100 | (Zw1) thru (Zw6) |
| 58 | C12 thru C15 | 1 | Mc | 92 | (01 03 04 Ø6) | 77 | S5 thru S8 | 23 | Wn | | |
| 59 | C16 thru C19 C17* | 14 | Mdt | 93 | (01 Ø6 Rf) | 78 | S9, S10 | 70 | Wp | | |
| 60 | C20 thru C23 | 14 | (Mg Q2) = Rw | 93 | (01 Ø6 Rf Dc C23 T24) | 79 | S11, S12 | 14 | Wr | 101 | Pin Locator thru } 112 } |
| 60 | C23* (C23) | 14 | (Mg Q2) | | | 80 | S13, S14 | 16 | Ws | | |
| 97 | C23 (scope) | 13 | Mr ^T | 43 | 02 | | | 91 | Wx | | |
| 62 | C24 | 1 | Ms | 42 | (02 03 00 Ia) | 49 | Tp*, Tp, Tp | 17 | Ww | | |
| | | 13 | Mwt | 42 | (02 + 03 + Ø0 + Ia) | 48 | (Tp End Sk) | 31 | W0 | 113 | Module Locator |
| 88 | Dc | 1 | Mxc | | | 97 | (Tp End Sk Go Mo) | 22 | W4 | 114 | Module Locator |
| | | 2 | Mo Mg | 44 | 03 | | (scope) | 32 | (W4) = | | |
| 32 | Ecw | 3 | M1 thru M4 | 92 | (03 04 Ts) | 50 | (Tp T24), (Tp T24)* | | (W4 W5 W6 W9 + | 136 | DIRECTORY |
| 97 | Ecw (scope) | 4 | M5 thru M8 | 92 | (03 04 06 F2 Ts) | | | | | | |
| 69 | En | 5 | M9 thru M12 | | | | | | | | |
| 19 | (En + En) | 6 | M13 thru M16 | 44 | 04, 05, 06 | | | | | | |
| 39 | End | 7 | M17 thru M20 | | | | | | | | |
| 93 | Eom | 8 | M21 thru M24 | 71 | (06 Ø2) | | | | | | |
| 54 | Ex | | | | | | | | | | |
| 40 | F1 | | | | | | | | | | |
| 91 | (F1 F3 Ts) | | | 100 | Pa1 thru Pa8 | | | | | | |
| 42 | (F1 F3 Ts) | | | 62 | [Parity Er light] | | | | | | |
| 91 | (F1 Int) (T22 - T17) | | | 100 | Photo Reader | | | | | | |
| 71 | (F1 F2 Ts Wp + 01 Ø4 + 02 Ø6 + 03 Ø6) | | | 90 | Pin | | | | | | |
| 41 | F2 | | | 38 | Pg | | | | | | |
| 40 | F3 | | | 99 | Priority interrupt | | | | | | |
| | | 20 | X-Y Selector | 68 | Pot 1, Pot 2 | | | | | | |
| | | 121 | X-Y Selector | 98 | P0 | | | | | | |

TAB IDENTIFICATION:

- Tab 1
- Tab 2
- Tab 3
- Tab 4
- Tab 5
- Tab 6
- Tab 7
- Tab 8
- Tab 9
- Tab 10

- Memory, M Register
- W Buffer
- Central Processor
- Pin #1 Module Locators
- Memory Decoding, Regulators
- Manual Index (137) & Plug Modules
- I/O Signal Identification
- Power Wiring and Parts Complement
- High-Speed Interlace Modification
- Reference Schematics

Note: Reader logic, page 100

[100] c12 c17 c20

(Whs)

[To ECW W6]

13E14

[W4 W6]

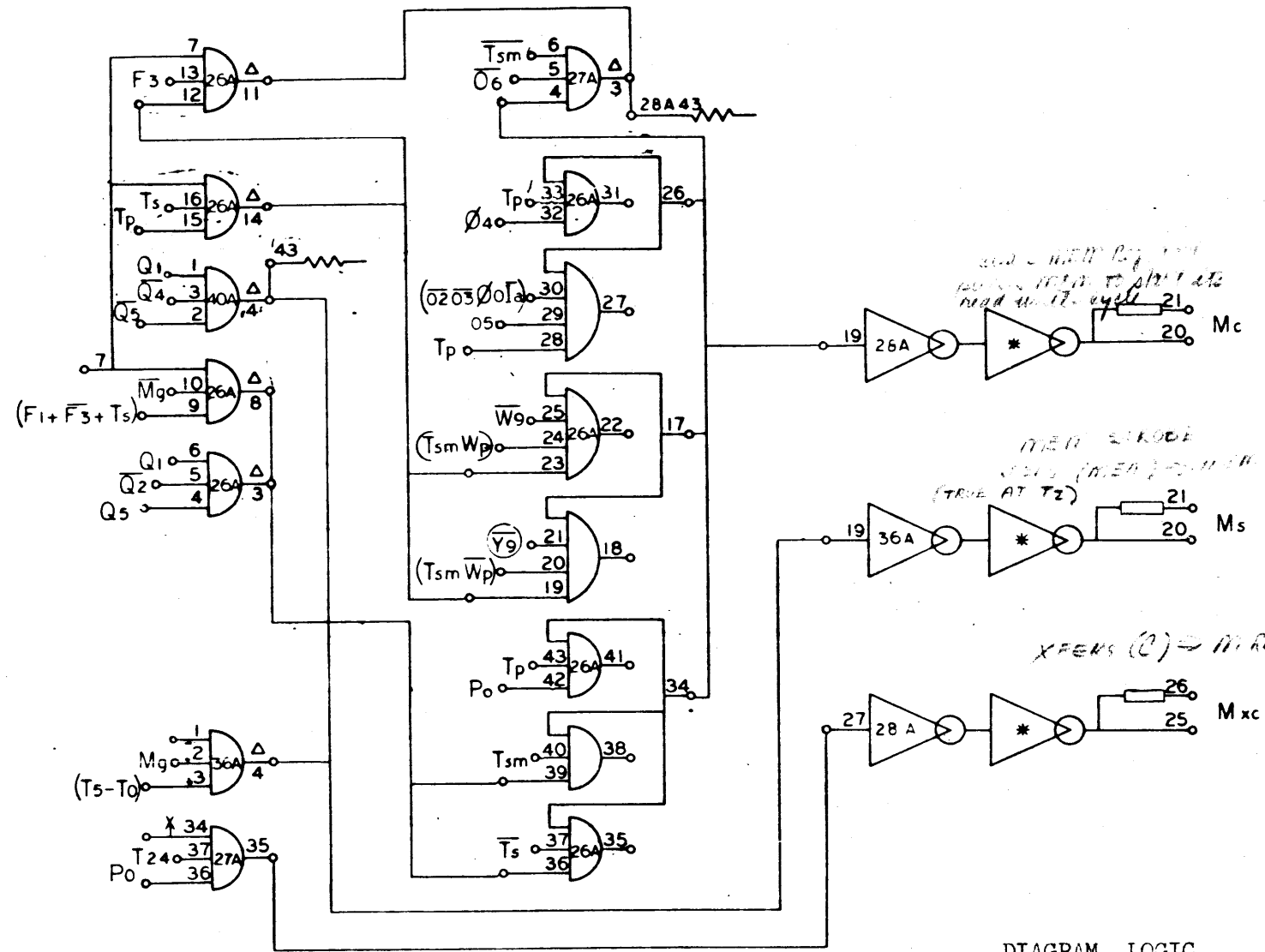
[T24 W6]

13E32

[To T4]

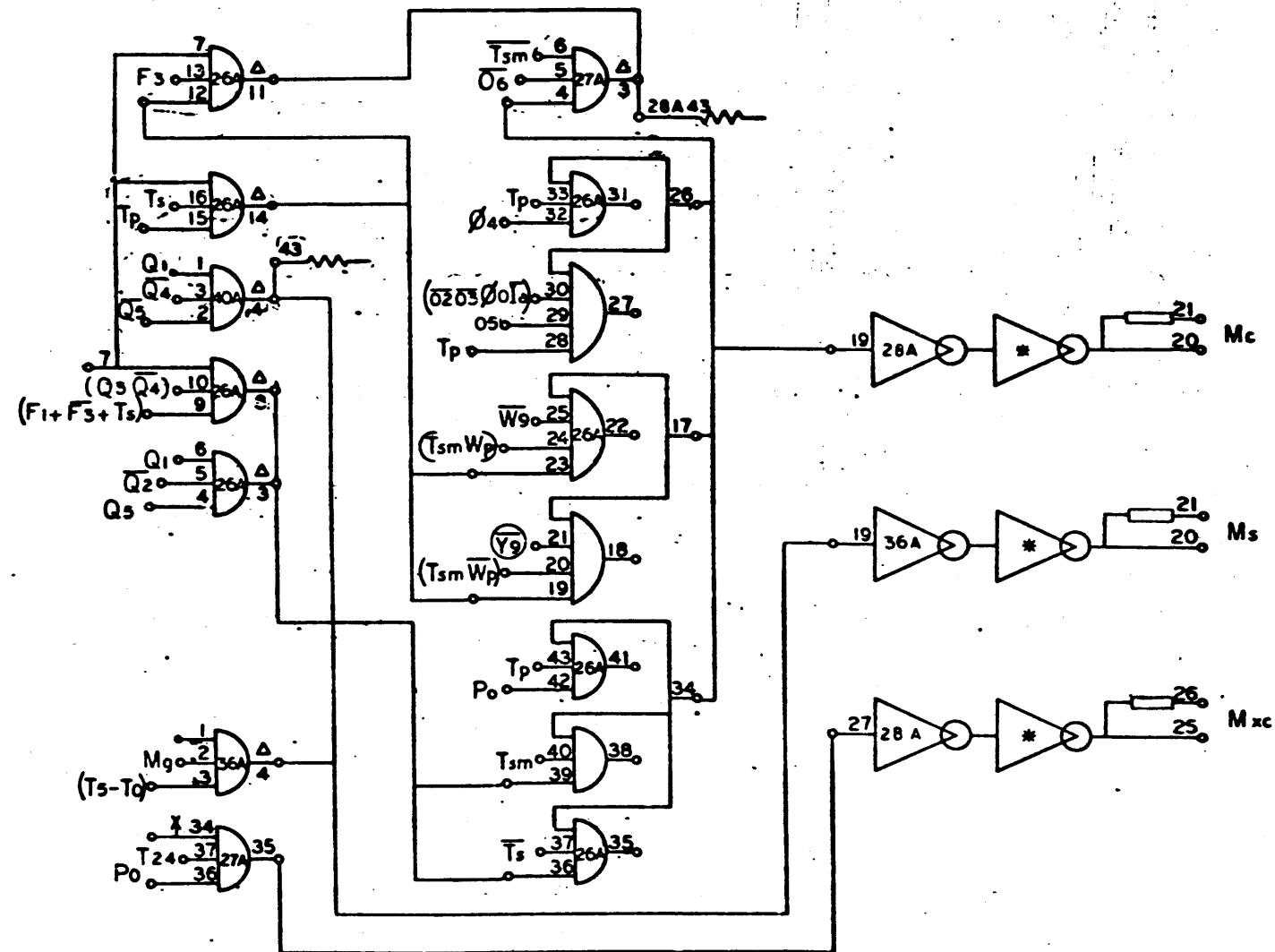
[W7 W9 W10 W11]

1



DIAGRAM, LOGIC,
COMPUTER DWG. NO. 101702

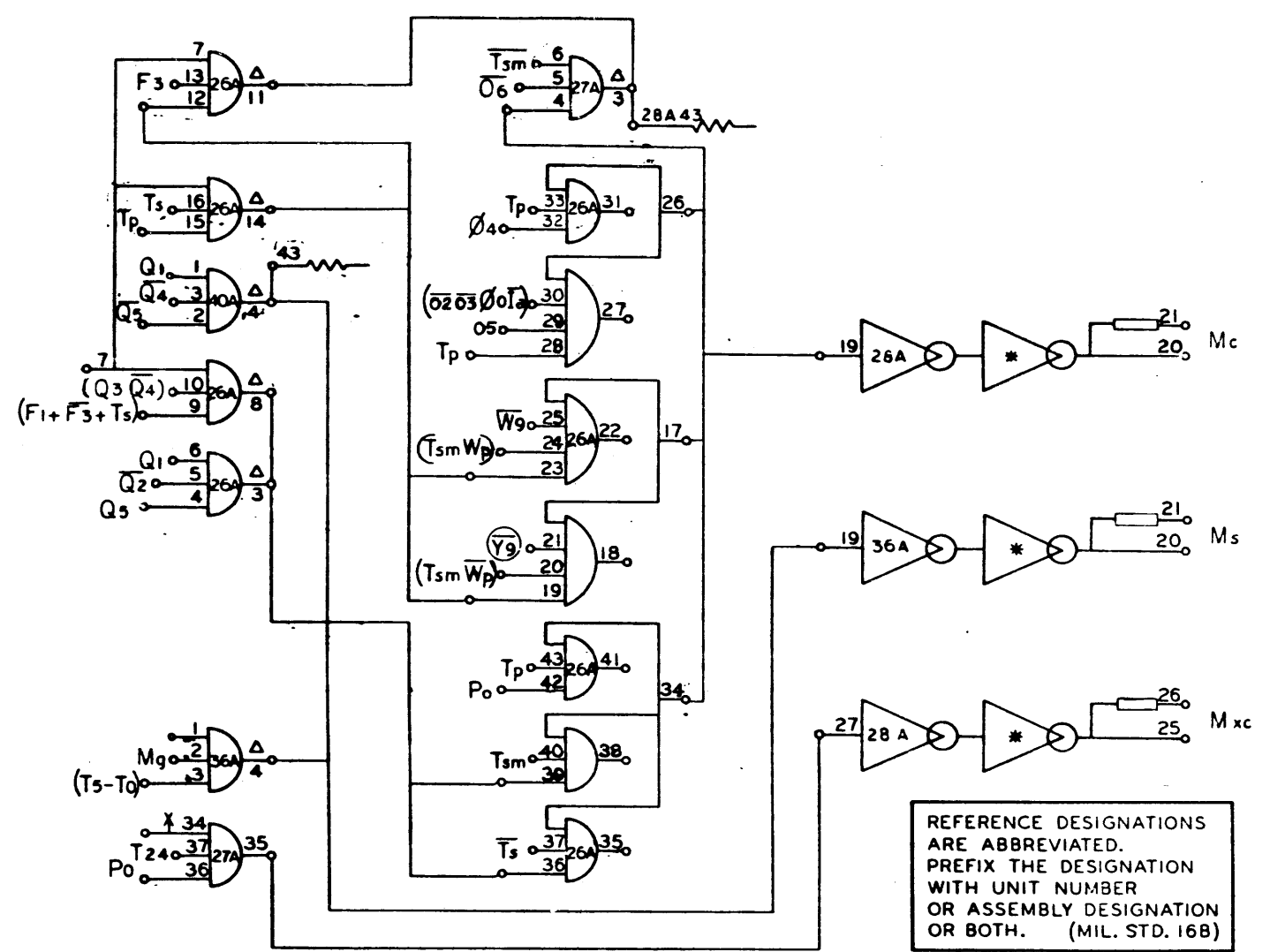
| REV | | DESCRIPTION | DATE | APPROVED |
|-----|--|---------------|---------|----------|
| A | | REL TO MFG | 1-16-62 | |
| D | | SEE REV. E.O. | 1-16-62 | |



910-920
Page 1
D

| NO. | DRAWING NO. | DESCRIPTION | REFERENCE DESIGNATION | ITEM NO. |
|-----------------------------------|-----------------------|----------------------------|--|----------|
| NOTES UNLESS SPECIFIED | | MATERIAL LIST | | |
| 1. TOLERANCES UNLESS SPECIFIED | DRAWN <i>lch</i> | DATE <i>9-15-62</i> | SDS DIGITIZED DATA SYSTEMS 1942 FIFTEENTH STREET, SANTA MONICA, CALIFORNIA | |
| 2. CHECK ALL DIMENSIONS TO CENTER | CHECK <i>lch</i> | DATE <i>10-1-62</i> | | |
| 3. SCALE ALL DIMENSIONS TO CENTER | APPR <i>W. Wilson</i> | DATE <i>12-4-62</i> | TITLE | |
| 4. SCALE DIMENSIONS | | | DIAGRAM, LOGIC, COMPUTER | |
| 5. ALL DIMENSIONS | | | REV | DATE |
| | | | D | 101702 |
| | | | | D |
| SCALE | | DO NOT SCALE DRAWING SHEET | | |

| REVISIONS | | | |
|-----------|---------------|-----|------|
| REV | DESCRIPTION | CHK | DATE |
| A | REL TO MFG | | |
| D | SEE REV. E.O. | | |
| F | SEE REV. E.O. | | |



REFERENCE DESIGNATIONS ARE ABBREVIATED. PREFIX THE DESIGNATION WITH UNIT NUMBER OR ASSEMBLY DESIGNATION OR BOTH. (MIL. STD. 16B)

3

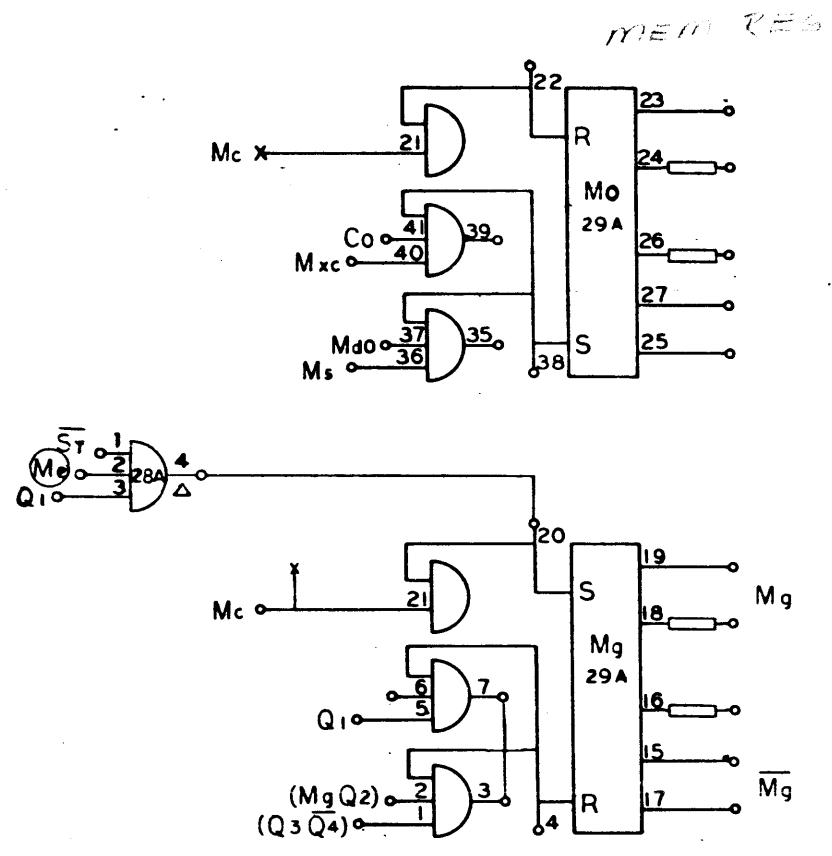
910-920
Page 1
F

101702 F

| NO | DRAWING NO. | DESCRIPTION | REFERENCE DESIGNATION | UNIT |
|--|-------------|-------------|---|----------------------------|
| MATERIAL LIST | | | | |
| NOTES UNLESS SPECIFIED | | DRAWN | SDS SCIENTIFIC DATA SYSTEMS | |
| 1. DIMENSIONS ARE 2.000 UNLESS OTHERWISE SPECIFIED | | CHECK | 1545 FIFTEENTH STREET SANTA MONICA CALIFORNIA | |
| 2. DIMENSIONS ARE 2.000 UNLESS OTHERWISE SPECIFIED | | APPR. | TITLE | |
| 3. DIMENSIONS ARE 2.000 UNLESS OTHERWISE SPECIFIED | | | DIAGRAM, LOGIC, COMPUTER | |
| 4. ALL DIM. IN INCHES | | | SIZE | DWG. NO. |
| | | | D | 101702 |
| | | | SCALE | DO NOT SCALE DRAWING SHEET |

109

| REV | | DESCRIPTION | CHEK | DATE | APPROVED |
|-----|--|-------------|------|------|----------|
| A | | REL TO MFG | | | |



910-920
Page 2
A

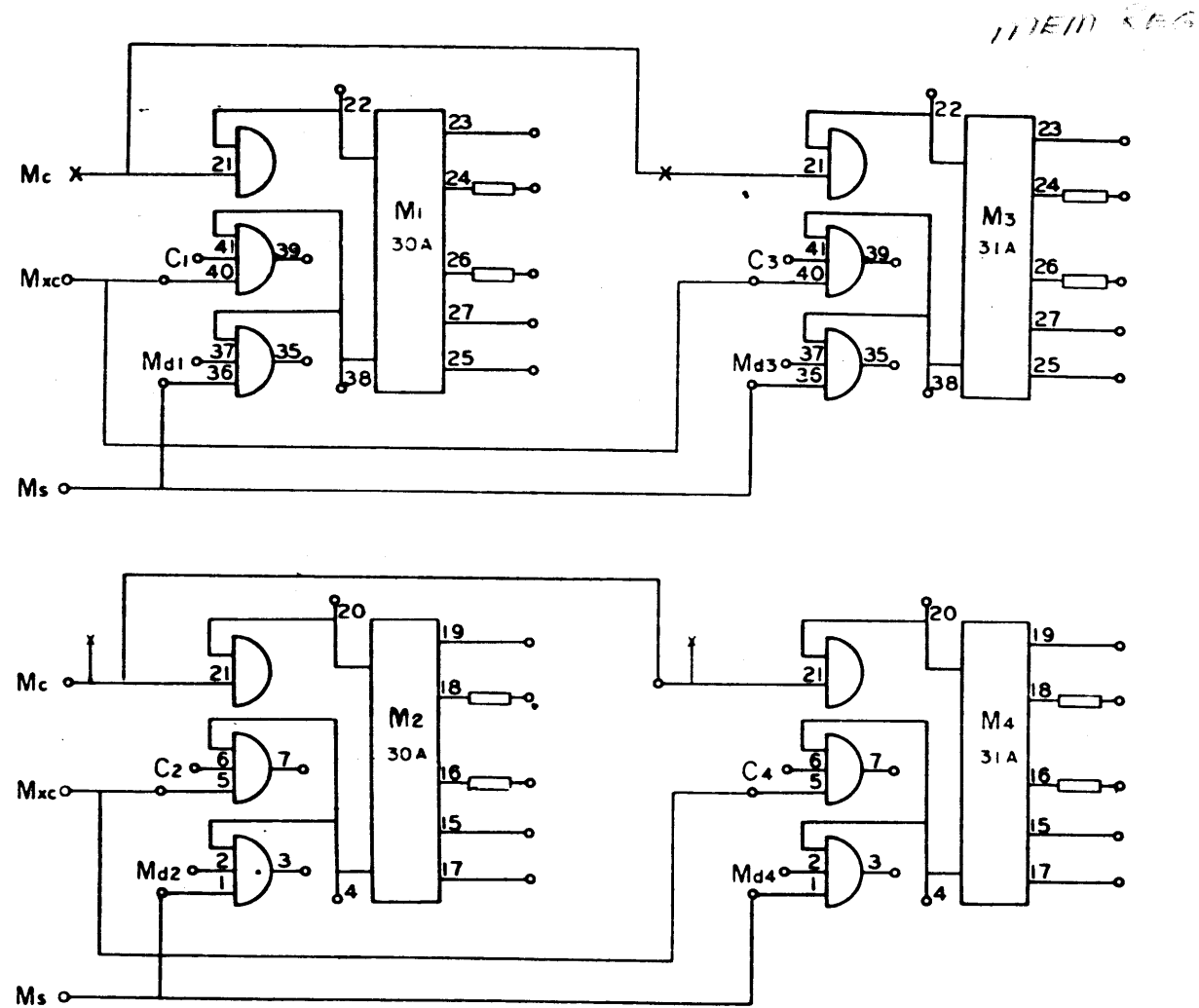
4

101702 A

| REV | DRAWING NO. | DESCRIPTION | REFERENCE DESIGNATION | ITEM NO. |
|---|-------------|----------------------|---|----------|
| MATERIAL LIST | | | | |
| NOTES UNLESS SPECIFIED | | DRAWN | SDS SCIENTIFIC DATA SYSTEMS | |
| 1. TOLERANCES FR 2.000 ANGULAR DIM 2.010 2.5° | | CHECK | 1742 FIFTEENTH STREET SANTA MONICA CALIFORNIA | |
| 2. BREAK ALL SHARP EDGES AND APPROX. | | APPR. | TITLE | |
| 3. HIDE SURFACE | | | DIAGRAM, LOGIC, COMPUTER | |
| 4. ALL DIM IN INCHES | | | | |
| MODEL NO. | | REV | DWG NO. | |
| NEXT ASSY. | | D | 101702 | |
| SCALE | | DO NOT SCALE DRAWING | | SHEET |

109

| REVISIONS | | | |
|-----------|-------------|-----|------|
| REV | DESCRIPTION | CHK | DATE |
| A | REL TO MFG | | |



5

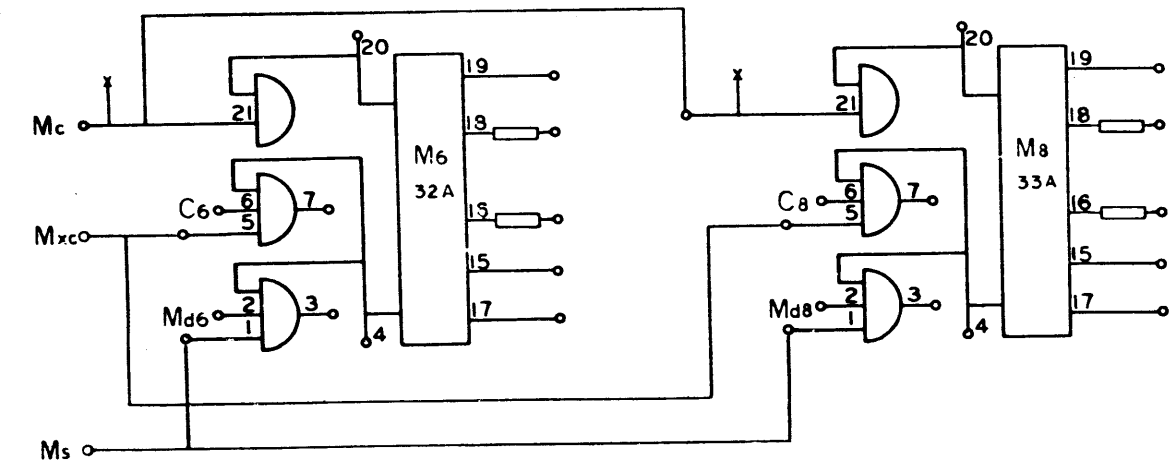
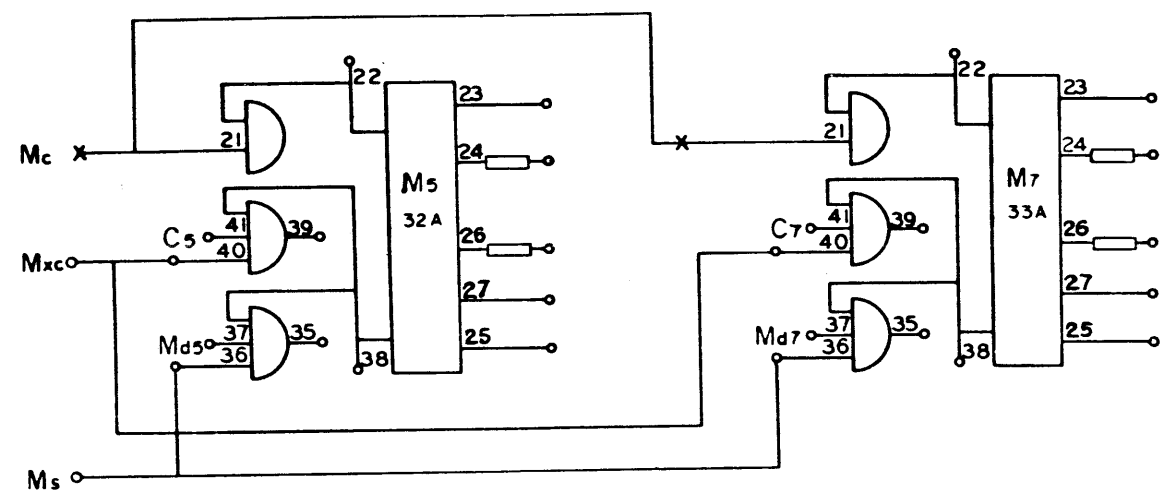
910-920
Page 3
A

101702 A

| NO. REQ. | DRAWING NO. | DESCRIPTION | REFERENCE DESIGNATION | ITEM NO. |
|---|-------------|-------------|---|----------|
| MATERIAL LIST | | | | |
| NOTES (IF LESS SPECIFIED) | | DRAWN | SDS SCIENTIFIC DATA SYSTEMS <small>1540 FIFTEENTH STREET SANTA MONICA, CALIFORNIA</small> | |
| 1. TOLERANCES <small>IN 2 DIMS DECIMAL 2W</small> <small>IN 3 DIMS 2W</small> | | CHECK | | |
| 2. BREAK ALL SHARP EDGES <small>AND SPICES</small> | | APPR. | TITLE DIAGRAM, LOGIC, COMPUTER | |
| 3. HATCH SURFACES 4. ALL DIM IN DIMS | | | | |
| MODEL NO. | | REV | REV NO. | |
| NEXT ASSY. | | D | 101702 | A |
| SCALE | | | DO NOT SCALE DRAWING | SHEET |

| REVISIONS | | | |
|-----------|-------------|------|------|
| REV. | DESCRIPTION | CHK. | DATE |
| A | REL TO MFG | | |

MEM REG



910-920
Page 4
A

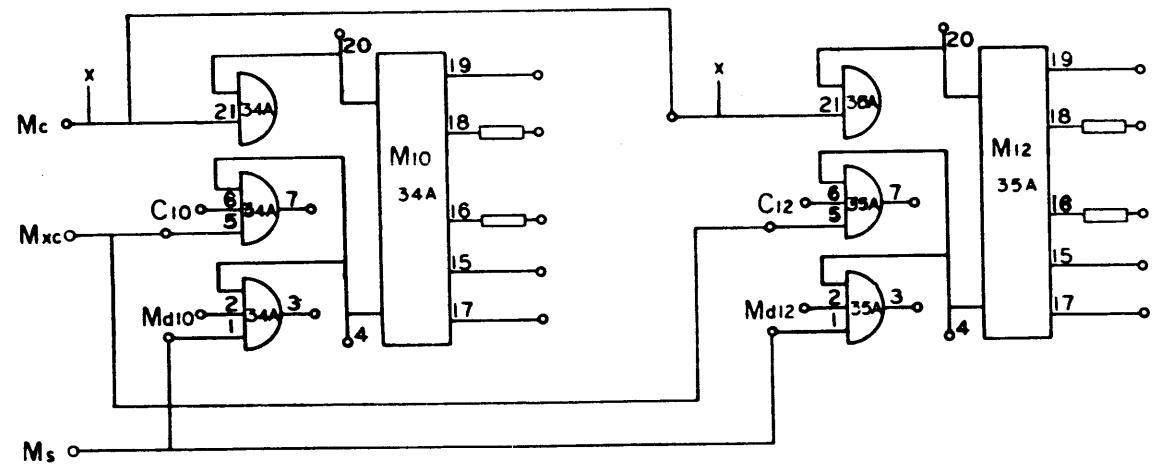
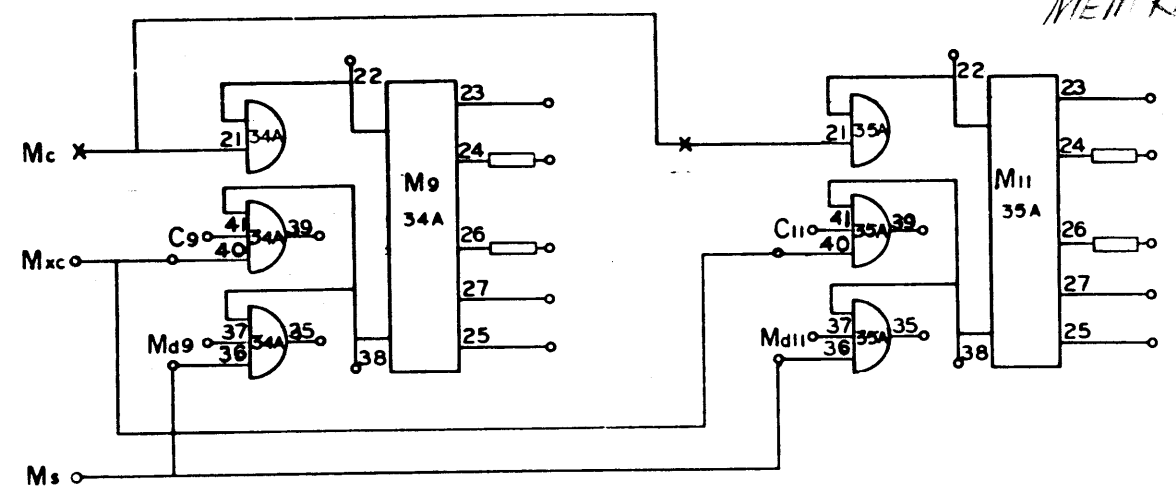
6

101702 A

| NO. REV. | DRAWING NO. | DESCRIPTION | REFERENCE DESIGNATION | ITEM NO. |
|--|-------------|-------------|--|----------|
| MATERIAL LIST | | | | |
| NOTES UNLESS SPECIFIED | | DRAWN | SDS SCIENTIFIC DATA SYSTEMS 1545 FIFTEENTH STREET SANTA MONICA, CALIFORNIA | |
| 1. TOLERANCES DIM. ± .000 ANGLES ± 30° | | CHECK | DIAGRAM, LOGIC, COMPUTER | |
| 2. BREAK ALL SHARP EDGES AND SURFACES | | APPR. | | |
| 3. BACK SURFACES | | | MODEL NO. SIZE DWG NO. A NEXT ASSY. D 101702 | |
| 4. ALL DIM. IN INCHES | | | | |
| | | SCALE | DO NOT SCALE DRAWING SHEET | |

| REVISIONS | | | | 01702 |
|-----------|-------------|-----|------|----------|
| REV | DESCRIPTION | CHK | DATE | APPROVED |
| A | REL TO MFG | | | |

MEM REG



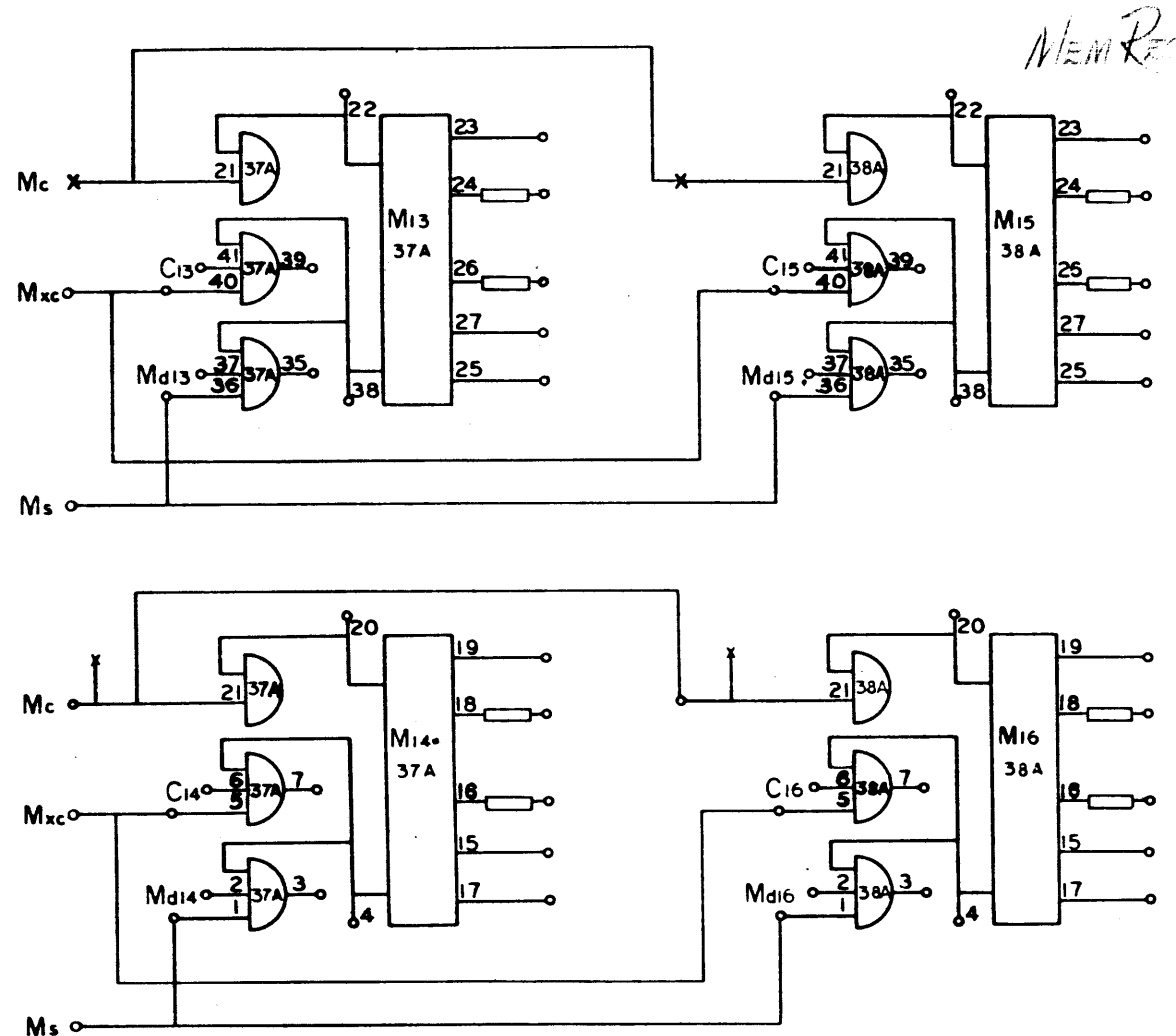
7

910-920
Page 5
A

101702 A

| NO. REG | DRAWING NO. | DESCRIPTION | REFERENCE DESIGNATION | ITEM NO. |
|---|-------------|---|-----------------------|----------------|
| NOTES UNLESS SPECIFIED | | | | |
| 1. TOLERANCES AS SHOWN ANGULAR ±.01° | | | | |
| 2. SQUARE ALL SHARP EDGES .015 APPROX. | | | | |
| 3. UNLESS OTHERWISE SPECIFIED | | | | |
| 4. ALL DIM. IN INCHES | | | | |
| DRAWN: <i>[Signature]</i> | | MATERIAL LIST | | |
| CHECK: <i>[Signature]</i> | | SDS SCIENTIFIC DATA SYSTEMS 1540 FIFTEENTH STREET SANTA MONICA, CALIFORNIA | | |
| APPR: <i>[Signature]</i> | | TITLE DIAGRAM, LOGIC, COMPUTER | | |
| MODEL NO. | | REV: D | | DWG NO. 101702 |
| NEXT ASSY. | | SCALE | | SHEET A |
| | | 80 HOY SCALE DRAWING | | |

| REV | | DESCRIPTION | | CHE | DATE | APPROVED |
|-----|--|-------------|--|-----|------|----------|
| A | | REL TO MFG | | | | |

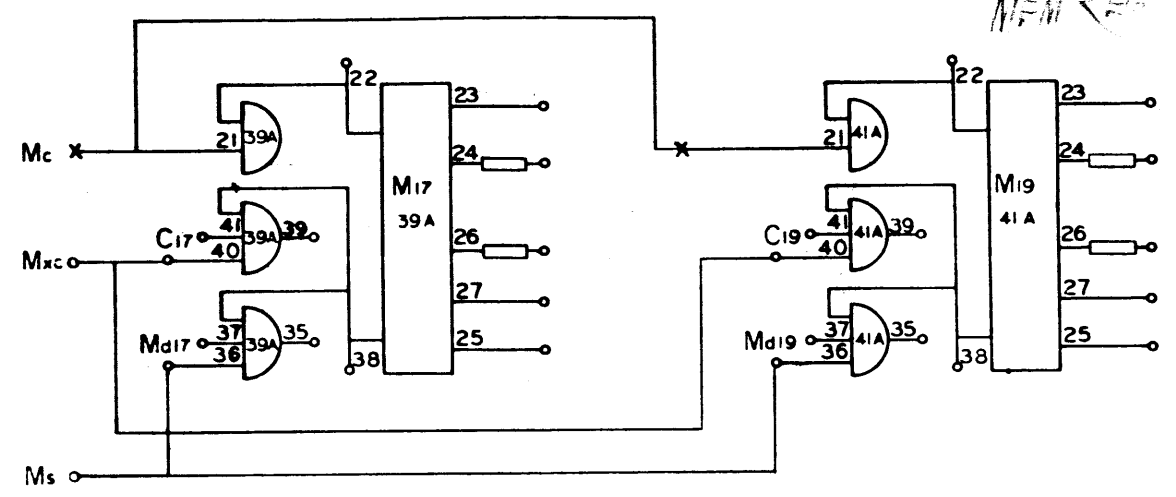


910 - 920
Page 6
A

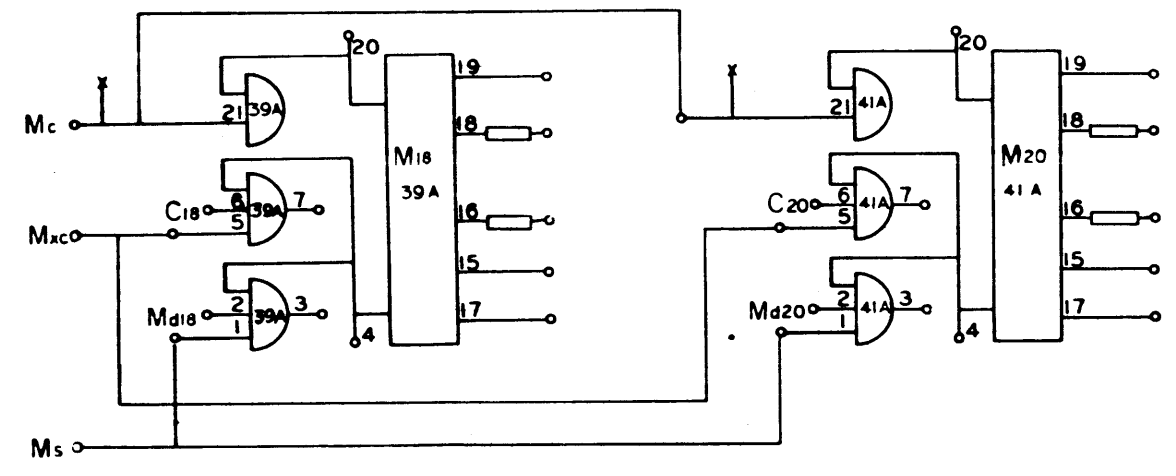
8
V-207101

| REV | DRAWING NO. | DESCRIPTION | REFERENCE DESIGNATION | TYPE NO. |
|---|-------------|---|-----------------------|----------|
| A | | | | |
| NOTES UNLESS SPECIFIED 1. TOLERANCES UNLESS SPECIFIED 2. DIMENSIONS ARE IN MILLIMETERS 3. DIMENSIONS ARE IN INCHES 4. ALL DIM. IN DECIMALS 5. HOLE SURFACES UNLESS SPECIFIED | | | | |
| DRAWN: <i>[Signature]</i> CHECK: <i>[Signature]</i> APPR: <i>[Signature]</i> | | SDS SCIENTIFIC DATA SYSTEMS 1545 FIFTH AVENUE, SANTA MONICA, CALIFORNIA | | |
| MODEL NO. NEXT REV. | | TITLE DIAGRAM, LOGIC, COMPUTER | | |
| SCALE DO NOT SCALE DRAWING | | SHEET NO. D 101702 A | | |

| REV | | DESCRIPTION | | CHK | DATE | APPROVED |
|-----|--|-------------|--|-----|------|----------|
| A | | REL TO MF6 | | | | |



MEM REF



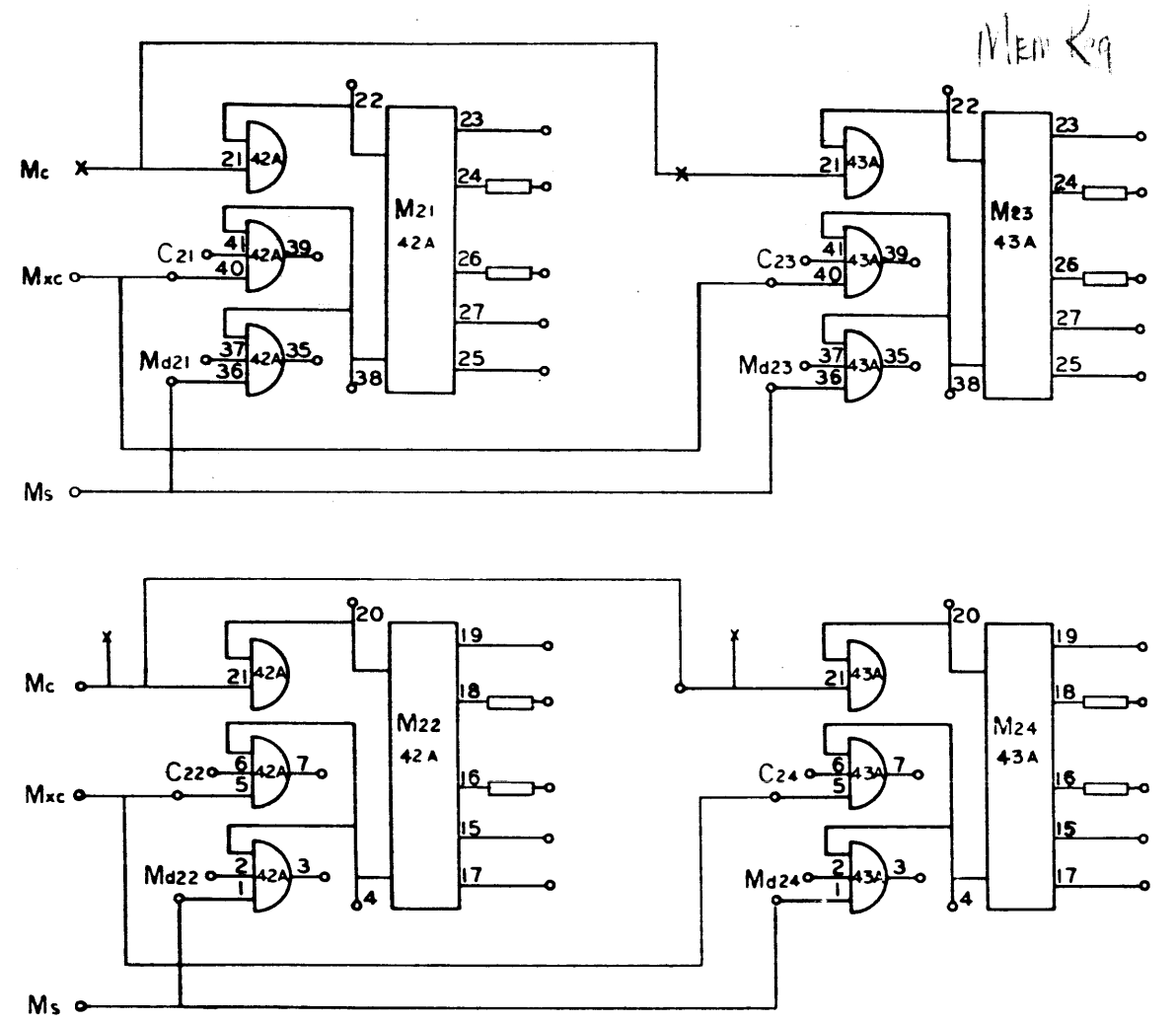
9

910-920
Page 7
A

| REV | DRAWING NO. | DESCRIPTION | REFERENCE DESIGNATION | ITEM NO. |
|--|-------------|---|-----------------------|----------|
| MATERIAL LIST | | | | |
| NOTES UNLESS SPECIFIED 1. DIMENSIONS ARE IN INCHES UNLESS OTHERWISE SPECIFIED 2. DIMENSIONS ARE TO CENTER UNLESS OTHERWISE SPECIFIED 3. DIMENSIONS ARE TO SURFACE UNLESS OTHERWISE SPECIFIED 4. ALL DIM. IN INCHES | | | | |
| DRAWN: [Signature] | | SDS SOLUTIONS DATA SYSTEMS 1542 FIFTEENTH STREET SANTA MONICA, CALIFORNIA | | |
| CHECK: [Signature] | | TITLE DIAGRAM, LOGIC COMPUTER | | |
| APPR: [Signature] | | MODEL NO. REV: D DWS NO. 101702 | | |
| SCALE | | DO NOT SCALE DRAWING SHEET | | |

101702 A

| REVISIONS | | | |
|-----------|-------------|-----|------|
| REV | DESCRIPTION | CHE | DATE |
| A | REL TO MFG | | |



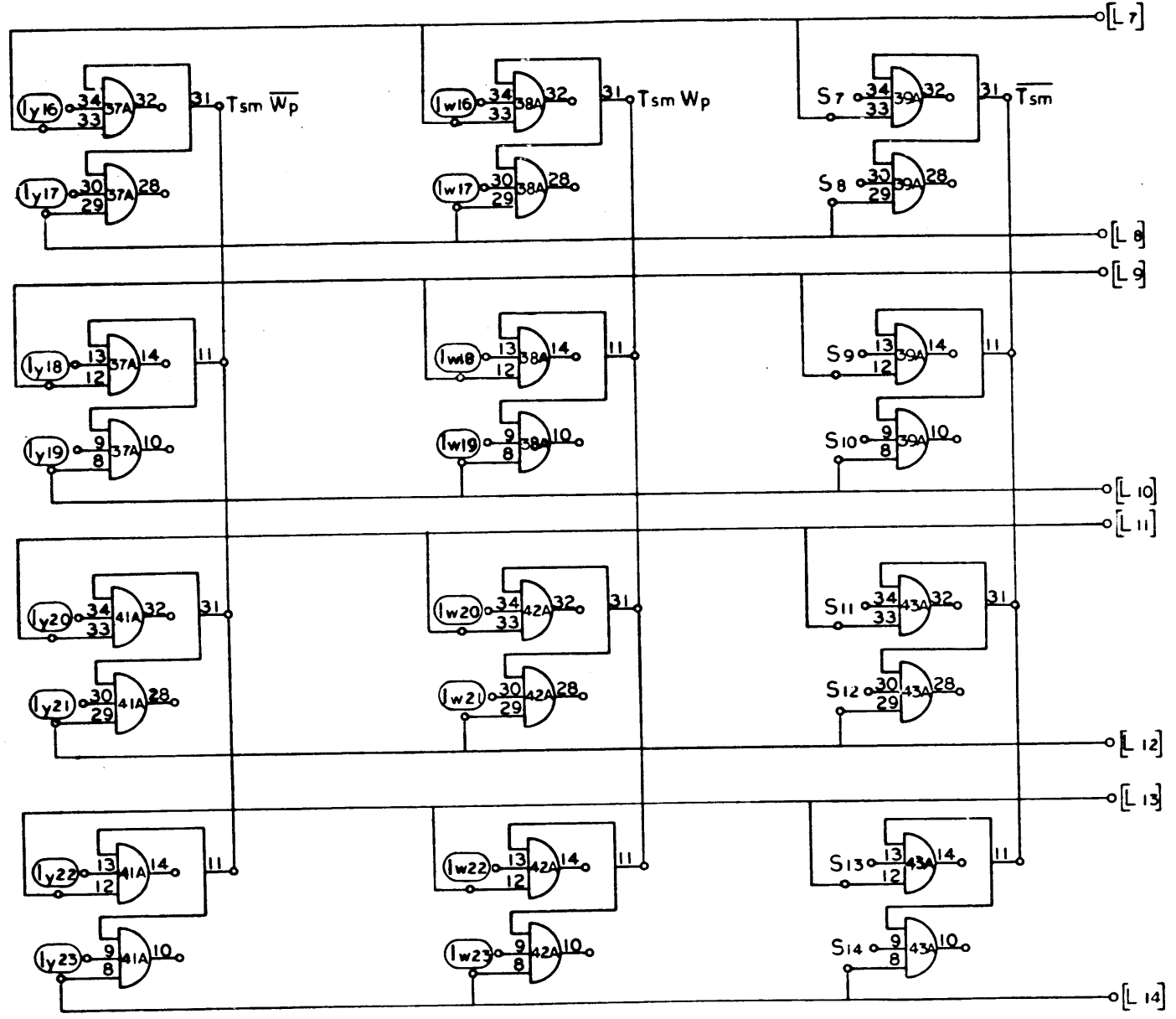
910-920
Page 8
A

10

| NO. REV. | DRAWING NO. | DESCRIPTION | REFERENCE DESIGNATION | ITEM NO. |
|---|-------------|-------------|--------------------------------------|----------|
| MATERIAL LIST | | | | |
| NOTES UNLESS SPECIFIED | | DRAWN | | |
| 1. TOLERANCES UNLESS OTHERWISE SPECIFIED ARE AS SHOWN 2. BREAK ALL SHARP EDGES 3. HATCH SURFACES 4. ALL DIMS IN INCHES | | CHECK | TITLE DIAGRAM, LOGIC, COMPUTER | |
| MODEL NO. | | APPR. | REV | DWG NO. |
| NEXT ASSY. | | | D | 01702 |
| SCALE | | | DO NOT SCALE DRAWING SHEET | |

| REVISIONS | | | |
|-----------|-------------|-----|----------|
| REV | DESCRIPTION | CHK | DATE |
| A | REL TO MFG | | 12/14/67 |

Approved for MFG from the S. REG. (11/15/67)



11

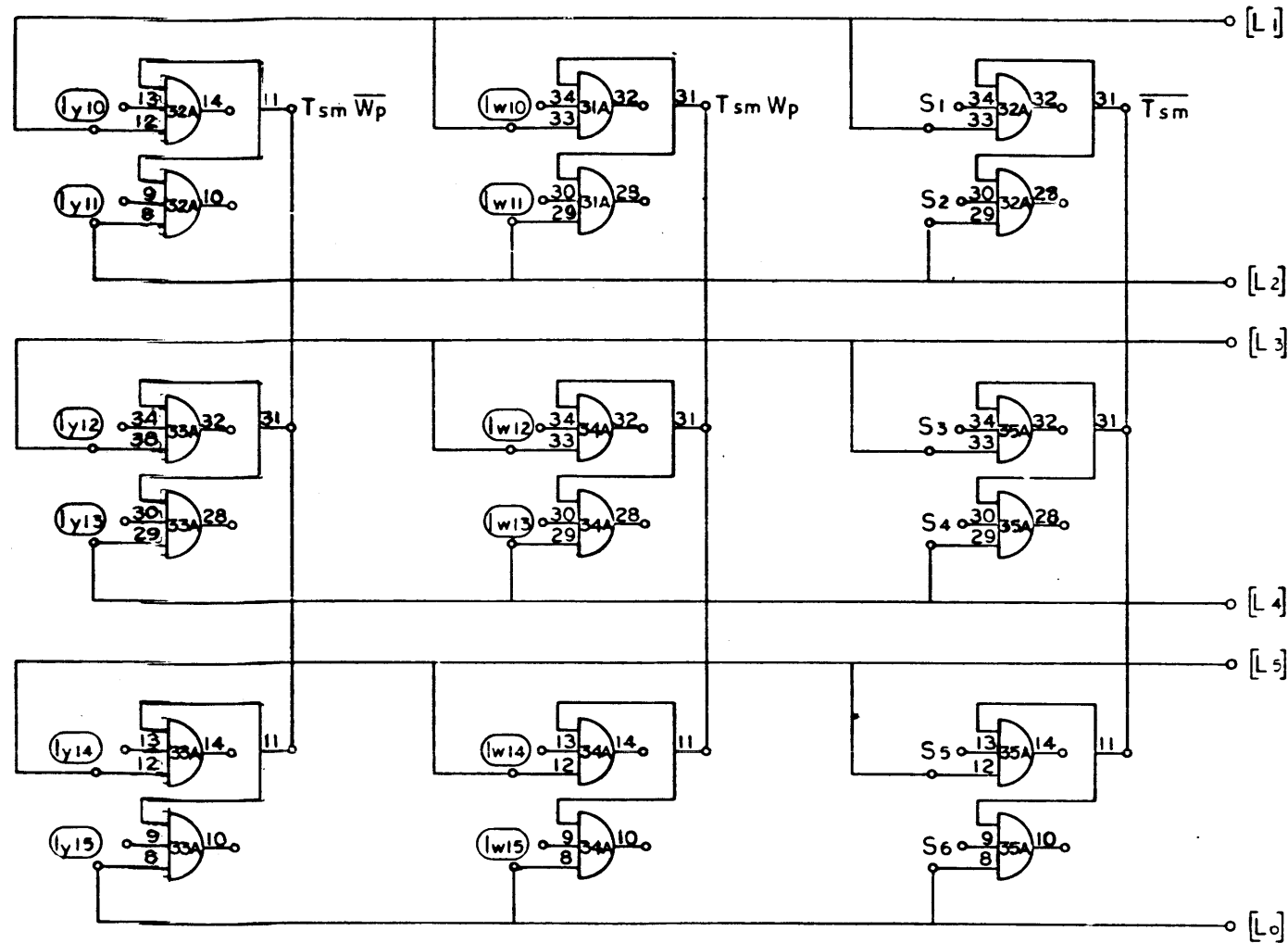
101722A

910-920
Page 9
A

| REV | BUILDING NO. | DESCRIPTION | REFERENCE DESIGNATION | ITEM NO. |
|--|--------------|--|-----------------------|----------|
| MATERIAL LIST | | | | |
| NOTES UNLESS SPECIFIED: 1. TYPAR COVER 2. 1/8" ANGLE 3. 1/4" ANGLE 4. BREAK ALL SHARP EDGES 5. FINISH SURFACES 6. ALL DIM. IN INCHES | | | | |
| DRAWN: <i>AB</i> CHECK: <i>AB</i> APPR: <i>AB</i> | | SDS CONTINUOUS DATA SYSTEMS 1525 FIFTEENTH STREET SANTA MONICA, CALIFORNIA TITLE: DIAGRAM, LOGIC, COMPUTER | | |
| MODEL NO. | | REV | DATE | ITEM NO. |
| | | D | 1017C2 | A |
| SCALE | | DO NOT SCALE DRAWING | | SHEET |

| REVISIONS | | | |
|-----------|-------------|-----|---------------|
| REV | DESCRIPTION | CHK | DATE APPROVED |
| A | REL TO MFG | | |

Remove Input Mem from the S 101-32



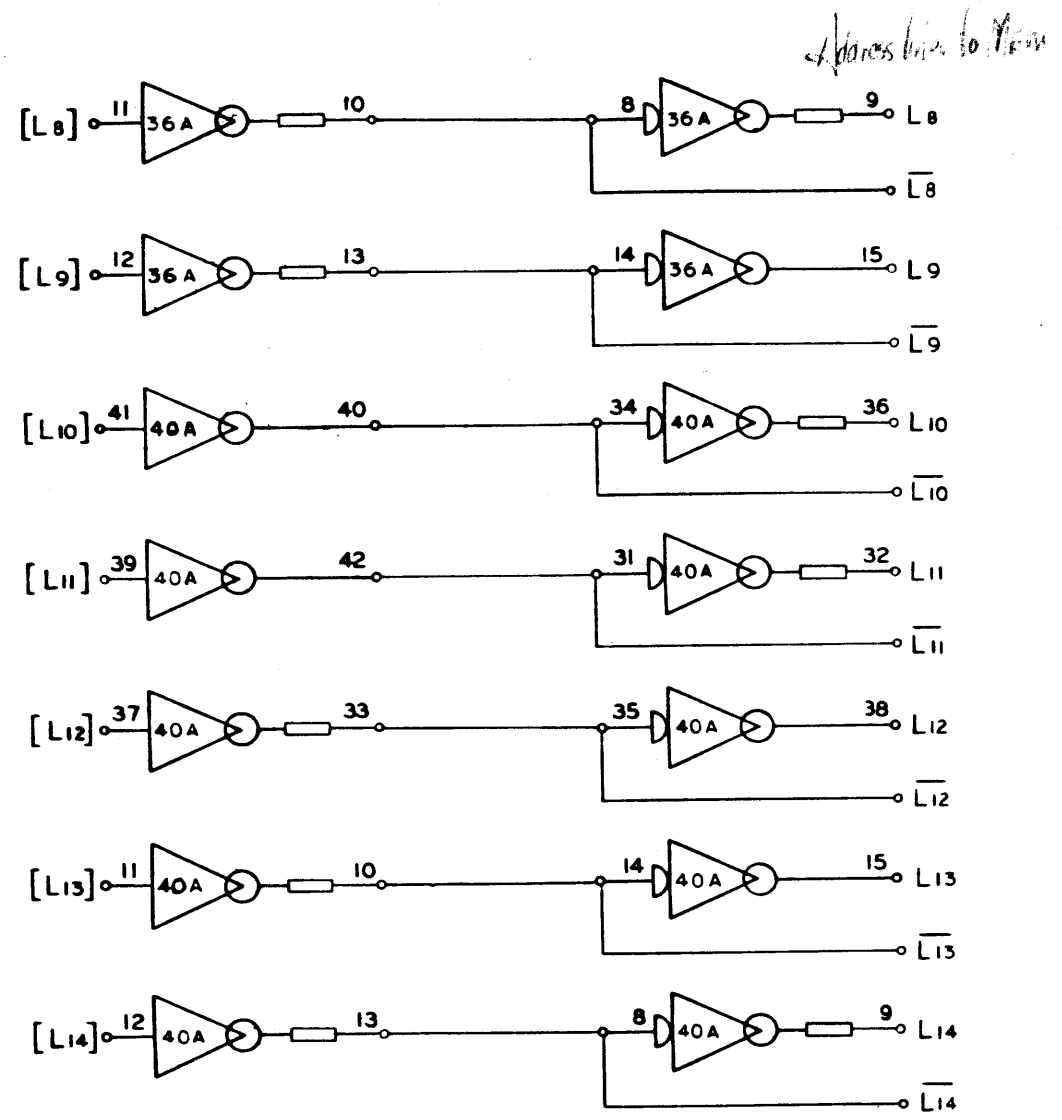
910-920
Page 10
A

12

101-32 A

| REV | DRAWING NO. | DESCRIPTION | REFERENCE DESIGNATION | FLTR |
|---|-------------|--|----------------------------|------|
| | | | | |
| NOTES UNLESS SPECIFIED | | | | |
| 1. TOLERANCES DIM ± .000 ANGULAR DIM ± 15" | CHECK | | | |
| 2. BREAK ALL SHARP EDGES AND APPROX. | APR. 2 | | | |
| 3. HATCH SURFACES ✓ | | | | |
| 4. ALL DIM. BY EXCISE | | | | |
| MODEL NO. | | SDS SCIENTIFIC DATA SYSTEMS 1545 FIFTEENTH STREET SANTA MONICA CALIFORNIA | | |
| NEXT ASSY. | | TITLE DIAGRAM, LOGIC, COMPUTER | | |
| | | SIZE | DWS NO. | |
| | | D | 101-32 | |
| | | SCALE | DO NOT SCALE DRAWING SHEET | |

| REVISIONS | | | | |
|-----------|-------------|-----|------|----------|
| REV | DESCRIPTION | CHK | DATE | APPROVED |
| A | REL TO MFG | | | |



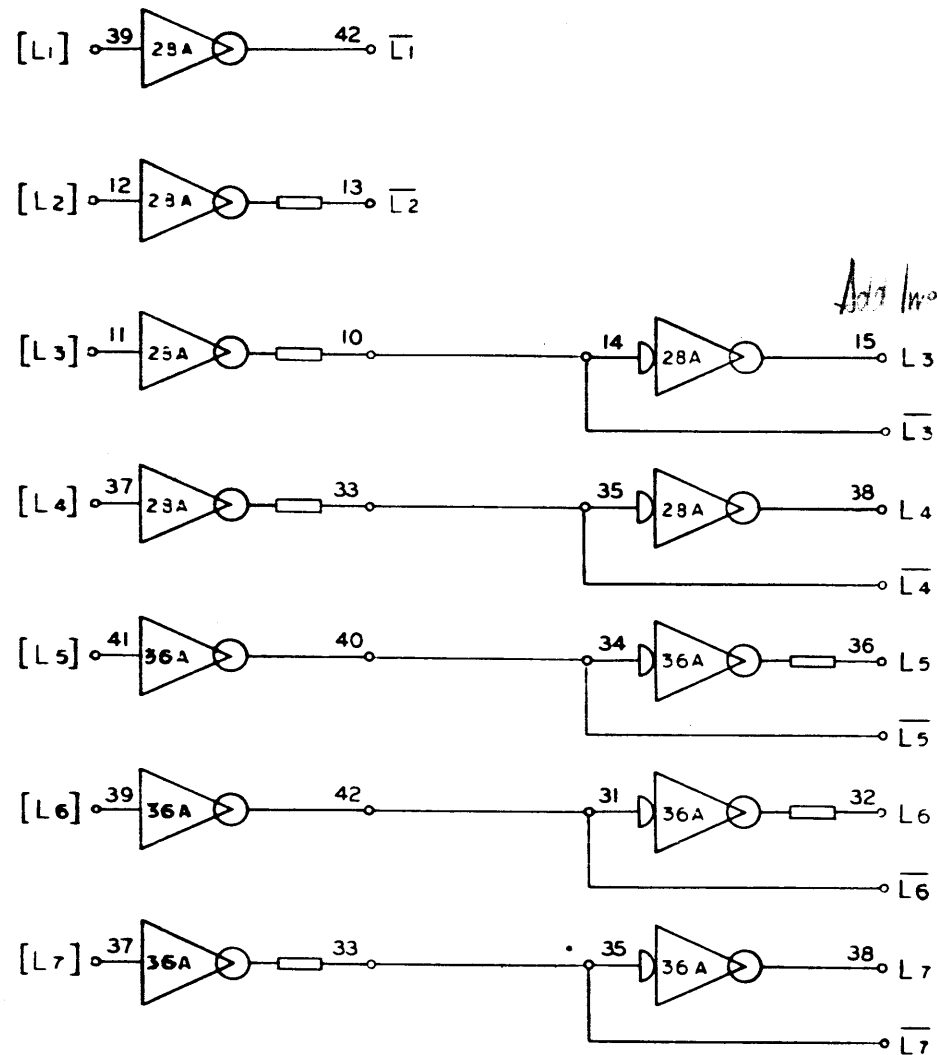
13

910 - 920
Page 11
A

101702 A

| REV | DRAWING NO. | DESCRIPTION | REFERENCE DESIGNATION | ITEM NO. |
|---|-------------|--|-----------------------|----------|
| MATERIAL LIST | | | | |
| NOTES UNLESS SPECIFIED | | | | |
| 1. TOLERANCES IN 2.000 ANGULAR DIM 2 DIM 2.5 | | | | |
| 2. BREAK ALL SHARP EDGES AND APPROX. | | | | |
| 3. HATCH SURFACES <input checked="" type="checkbox"/> | | | | |
| 4. ALL DIM. IN INCHES | | | | |
| DRAWN <i>1/6</i> | | DATE <i>1-1-67</i> | | |
| CHECK <i>1/4</i> | | DATE <i>1-1-67</i> | | |
| APPR. <i>1-21-67</i> | | DATE <i>1-21-67</i> | | |
| MODEL NO. | | TITLE | | |
| NEXT ARMY. | | SDS MULTITYPE DATA SYSTEMS 1748 FIFTEENTH STREET SANTA MONICA CALIFORNIA | | |
| | | DIAGRAM, LOGIC, COMPUTER | | |
| | | REV | DRWG NO. | ITEM NO. |
| | | D | 01702 | A |
| SCALE | | DO NOT SCALE DRAWING | | SHEET |

| REVISIONS | | | |
|-----------|-------------|-----|------|
| REV | DESCRIPTION | CHK | DATE |
| A | REL TO MFG | | |

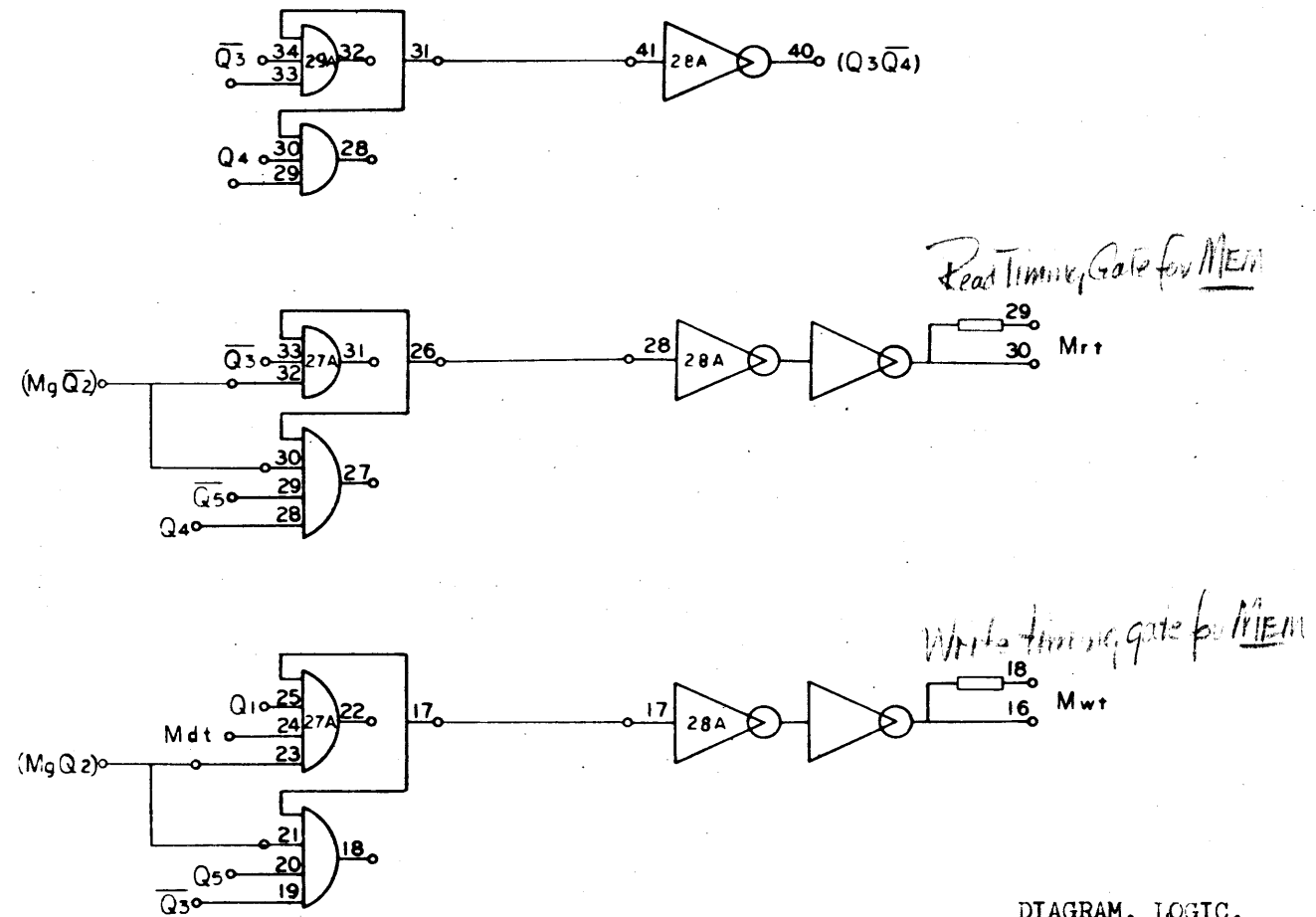


910-920
Page 12
A

14

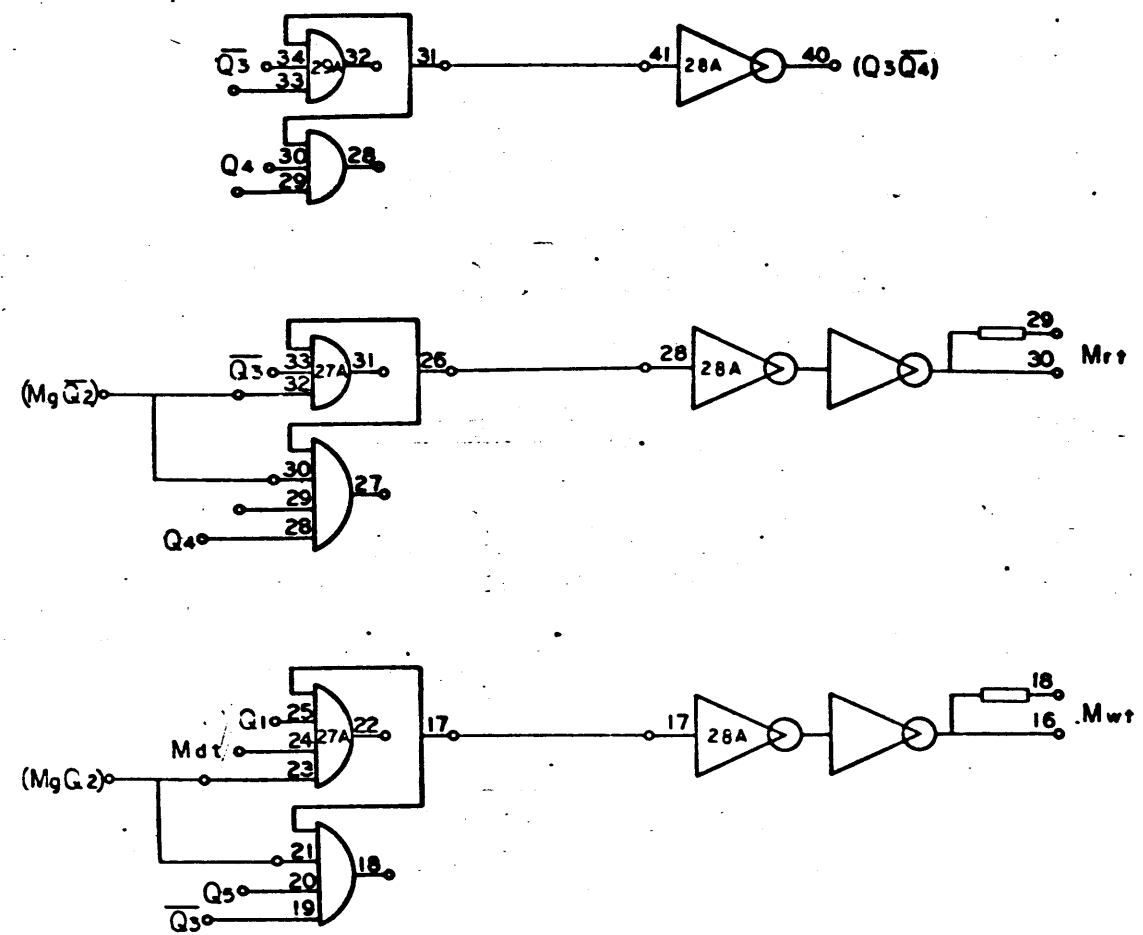
| NO | DRAWING NO. | DESCRIPTION | REFERENCE DESIGNATION | ITEM NO. |
|--------------------------|-------------|---|-----------------------|----------------------|
| NOTES UNLESS SPECIFIED | | | | |
| 1. TOLERANCES | | | | |
| 2. BREAK ALL SHARP EDGES | | | | |
| 3. H. CH. SURFACES | | | | |
| 4. ALL DIM. IN INCHES | | | | |
| DRAWN | | MATERIAL LIST | | |
| CHECK | | TITLE | | |
| DATE | | SDS SCIENTIFIC DATA SYSTEMS | | |
| | | 1545 FIFTEENTH STREET SANTA MONICA CALIFORNIA | | |
| MODEL NO. | | SCALE | | DO NOT SCALE DRAWING |
| NEXT ASSY. | | D | | 01702 |
| | | A | | |

15



DIAGRAM, LOGIC,
COMPUTER DWG. NO. 101702

| REVISIONS | | DATE | BY | APPROVED |
|-----------|--------------|---------|----|----------|
| REV | DESCRIPTION | | | |
| A | REL TO MF6 | 11-1-62 | LL | LL |
| D | SEE REV E.O. | 10/1/62 | LL | LL |

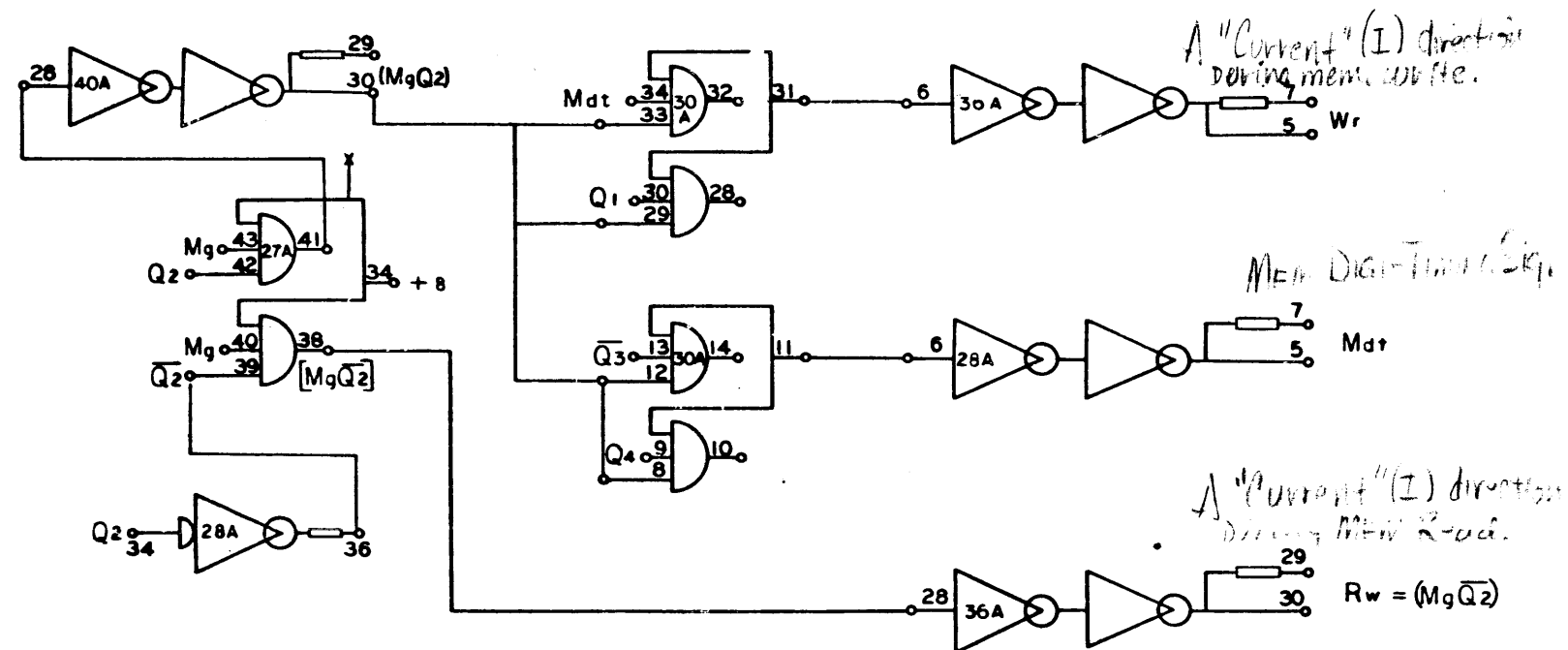


(16)

910-920
Page 13
D

| NO | DWG | DRAWING NO. | DESCRIPTION | REFERENCE DESIGNATION | TYPE |
|---------------------------------------|-----|--|----------------------|---------------------------|--------|
| MATERIAL LIST | | | | | |
| NOTES UNLESS SPECIFIED | | DRAWN | LL | 0-15-62 | |
| 1. TOLERANCES UNLESS SPECIFIED | | CHECK | LL | 11-1-62 | |
| 2. DIMENSIONS UNLESS SPECIFIED | | APPROV | LL | 10/1/62 | |
| 3. BREAK ALL SHARP CORNERS AND POINTS | | | | | |
| 4. HIDE SURFACES | | | | | |
| 5. ALL DIM. IN DIMENSIONS | | | | | |
| | | SDS | | SOLID STATE DATA DIVISION | |
| | | 1042 EASTERN STREET SANTA ANITA CALIFORNIA | | | |
| | | TITLE | | | |
| | | DIAGRAM, LOGIC, COMPUTER | | | |
| | | REV | D | DWG NO. | 101702 |
| | | SCALE | DO NOT SCALE DRAWING | | SHEET |
| | | | | D | |

| REV. | | DESCRIPTION | | REVISIONS | | CHK | DATE | APPROVED |
|------|--|-------------|--|-----------|--|-----|---------|----------|
| A | | REL TO MFG | | | | | 1/10/62 | |

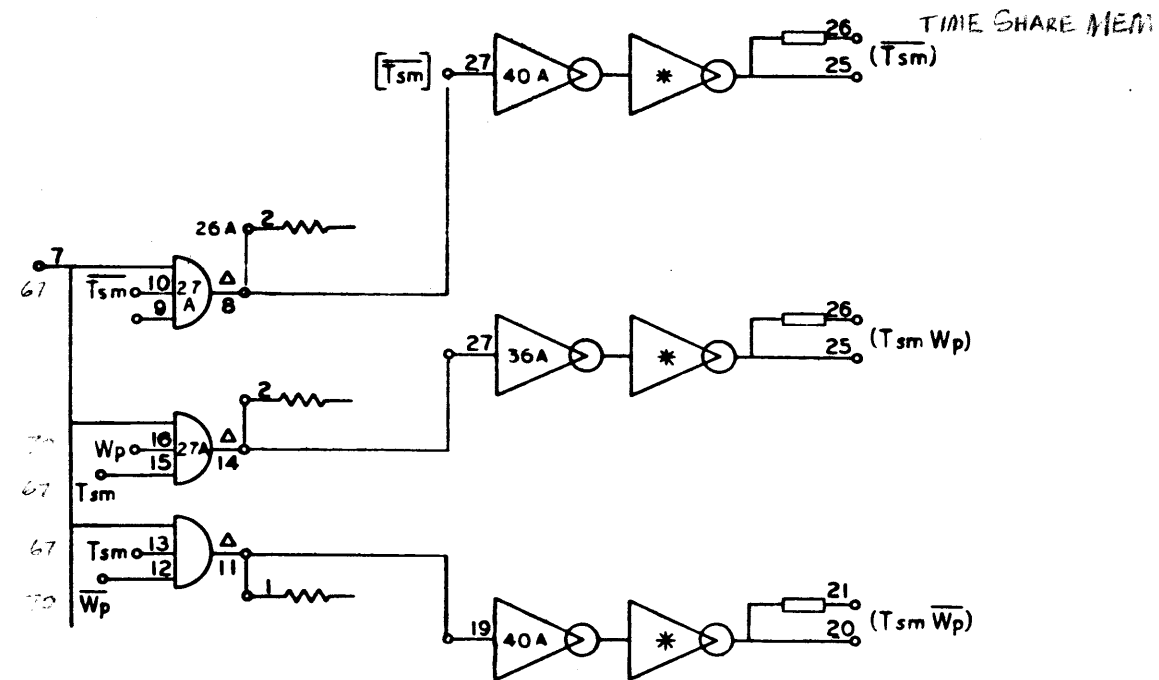


910-920
Page 14
A

| NO. REV. | DRAWING NO. | DESCRIPTION | REFERENCE DESIGNATION | FILE NO. |
|---|---|------------------|-----------------------|--|
| MATERIAL LIST | | | | |
| NOTES UNLESS OTHERWISE SPECIFIED: | | DRAWN: <i>AB</i> | DATE: 9/9/62 | 1945 FIFTEENTH STREET SANTA MONICA, CALIFORNIA |
| 1. TOLERANCES UNLESS OTHERWISE SPECIFIED: | 2. DIMENSIONS UNLESS OTHERWISE SPECIFIED: | CHECK: <i>JH</i> | DATE: 10/1/62 | |
| 3. BREAK ALL DIMENSIONS: | 4. BACK CHAMFER: | APPR: <i>JH</i> | DATE: 10/1/62 | DIAGRAM, LOGIC COMPUTER |
| 5. ALL DIM. IN INCHES | | | | |
| MODEL NO. | | REV.: | DWG. NO. | |
| REV. ABBV. | | | D | 1017102 |
| | | SCALE: | DO NOT SCALE DRAWING | SHEET |

101702 A

| REV | | DESCRIPTION | | CHK | DATE | APPROVED |
|-----|--|-------------|--|-----|---------|----------|
| A | | REL TO MFG | | | 10-1-62 | |

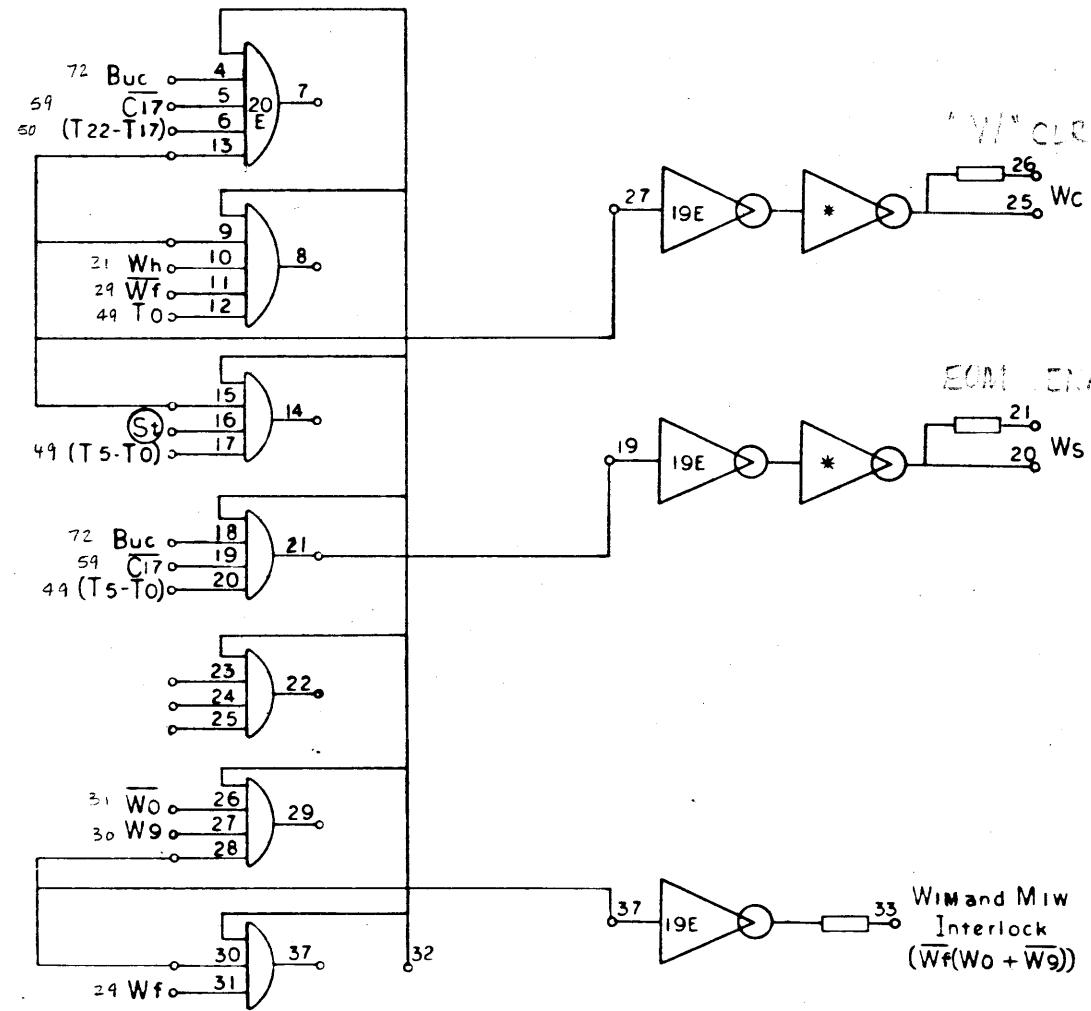


(B)

910-920
Page 15
A

| DRAWING NO. | DESCRIPTION | REFERENCE DESIGNATION | ITEM NO. |
|--|-------------|-----------------------|----------|
| 9-13-62 | 9-13-62 | 101702 | |
| MATERIAL LIST S/D SYSTEMS DATA SYSTEMS 1000 100 STREET SANTA MONICA CALIFORNIA | | | |
| NOTES UNLESS SPECIFIED: 1. DIMENSIONS ARE IN INCHES UNLESS OTHERWISE SPECIFIED 2. DIMENSIONS ARE TO CENTER UNLESS OTHERWISE SPECIFIED 3. DIMENSIONS ARE TO SURFACE UNLESS OTHERWISE SPECIFIED 4. DIMENSIONS ARE TO CENTER UNLESS OTHERWISE SPECIFIED | | | |
| TITLE DIAGRAM, LOGIC, COMPUTER | | | |
| Dwg. No. 101702 | | | A |
| D | | SHEET | |

101702 A

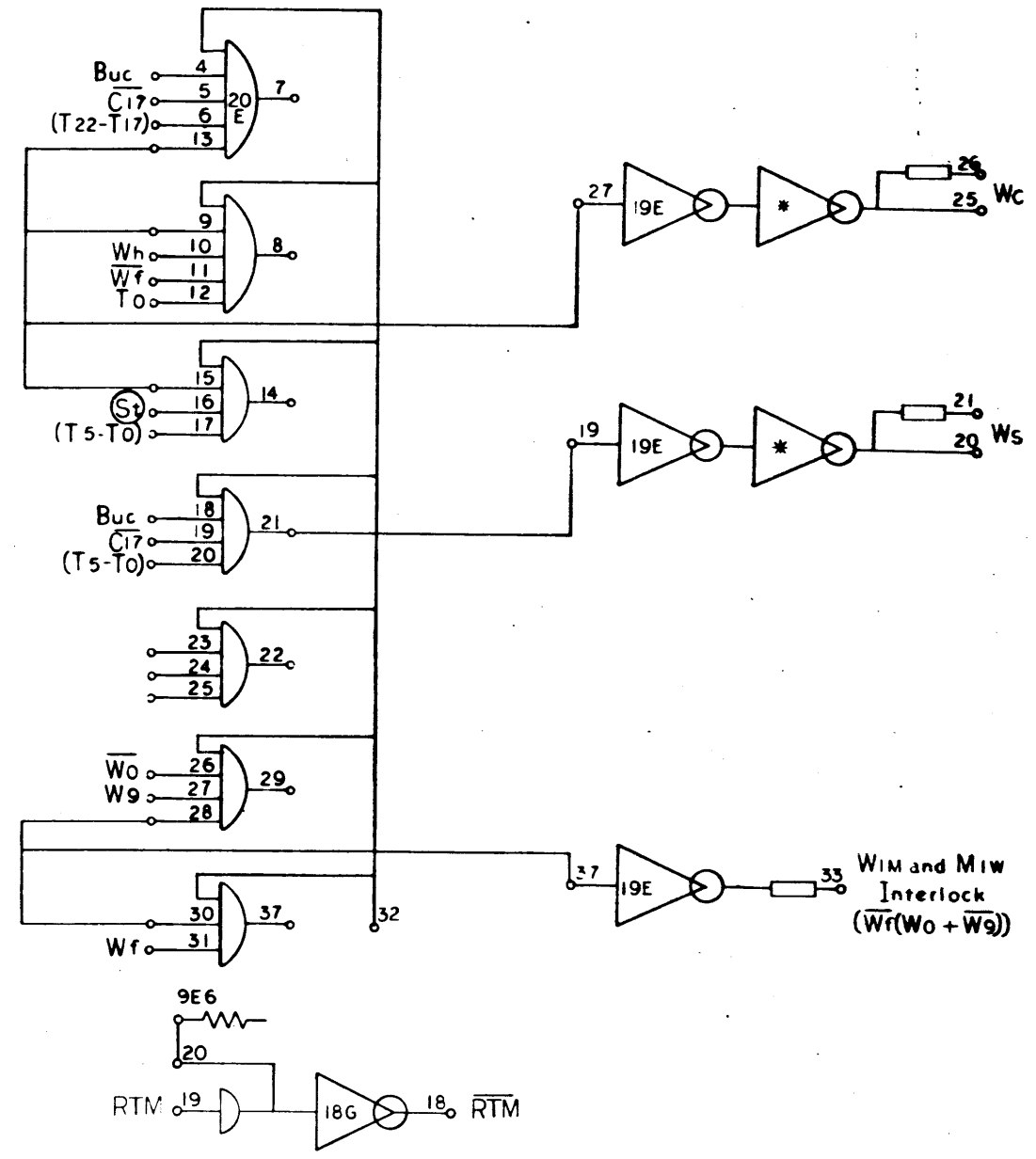


DIAGRAM, LOGIC,
 COMPUTER DWG. NO. 101702

16

19

20

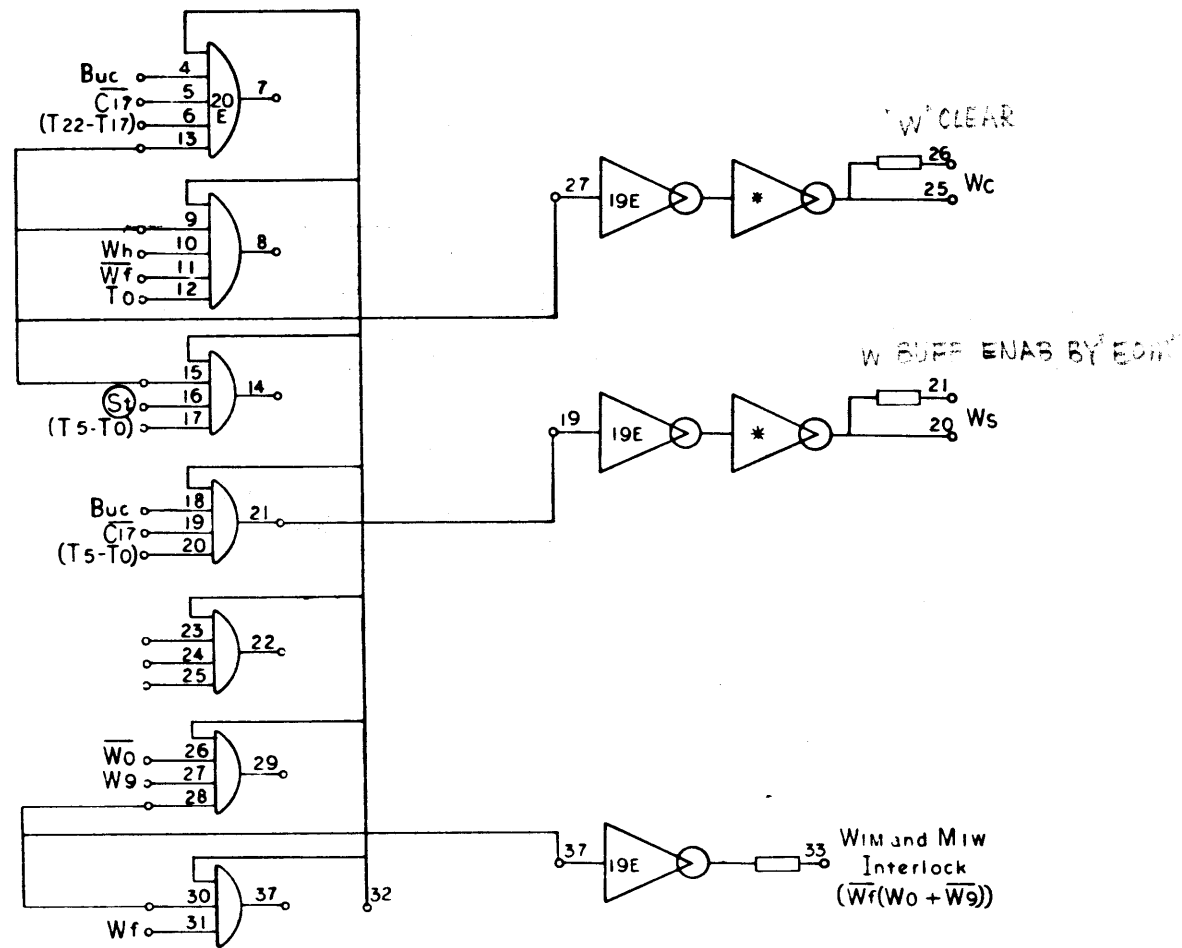


DIAGRAM, LOGIC,
COMPUTER DWG. NO. 101702

Γ.

SEE PREVIOUS
PAGE

| REVISIONS | | | |
|-----------|--------------|-----|------|
| REV | DESCRIPTION | CHK | DATE |
| A | REL TO MFG | | |
| M | SEE REV E.O. | | |
| P | SEE REV E.O. | | |



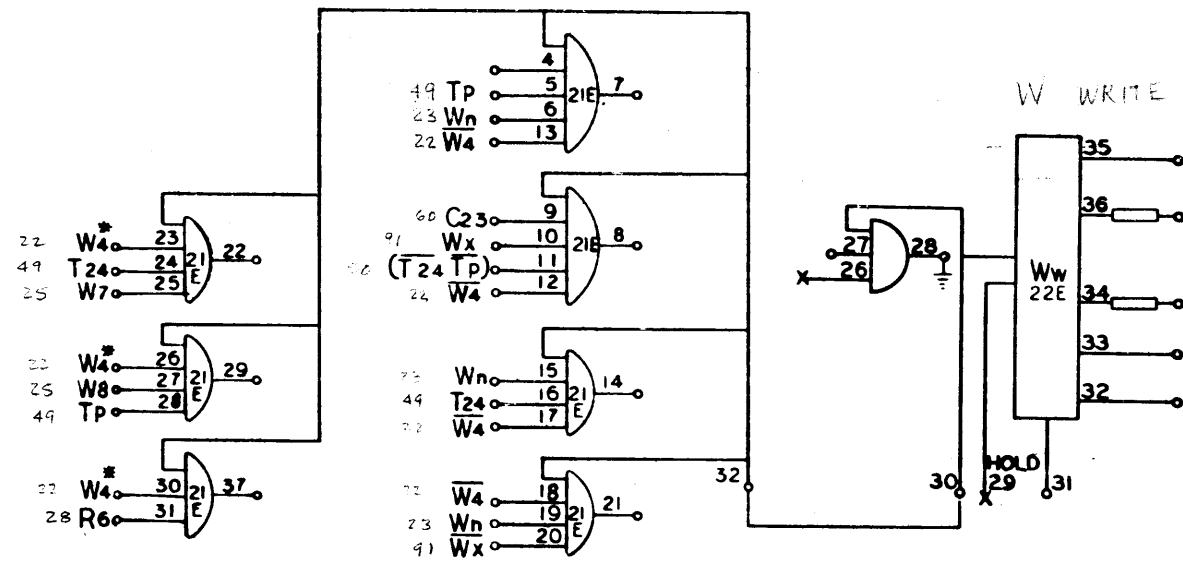
21

910
Page 16
P

| NO. REV. | DRAWING NO. | DESCRIPTION | REFERENCE DESIGNATION | 103 ITEM NO. |
|--|-------------|-----------------------------------|-----------------------|--------------|
| MATERIAL LIST | | | | |
| NOTES UNLESS SPECIFIED | | | | |
| 1. TOLERANCES: XX - 0.50 ANGULAR SEE C 910 ± .15" | | | | |
| 2. BREAK ALL SHARP EDGES .510 APPROX | | | | |
| 3. HATCH SURFACES ✓ | | | | |
| 4. ALL DIM IN INCHES | | | | |
| DRAWN: <i>LH</i> | | DATE: 12-1-62 | | |
| CHECK: <i>LD</i> | | DATE: 10-1-62 | | |
| APPR: <i>g-wu</i> | | DATE: 12/1/62 | | |
| SDS SCIENTIFIC DATA SYSTEMS 1545 FIFTEENTH STREET SANTA MONICA CALIFORNIA | | | | |
| TITLE: DIAGRAM, LOGIC, COMPUTER | | | | |
| MODEL NO. | | SIZE: D | DWG NO.: 101702 | P |
| NEXT ASSY. | | SCALE: DO NOT SCALE DRAWING SHEET | | |

SEE PG 16 A

| REVISIONS | | | 101702 | A |
|-----------|-------------|-----|----------|-------------|
| REV. | DESCRIPTION | CHK | DATE | APPROVED |
| A | REL TO MFG | ✓ | 12-16-62 | [Signature] |



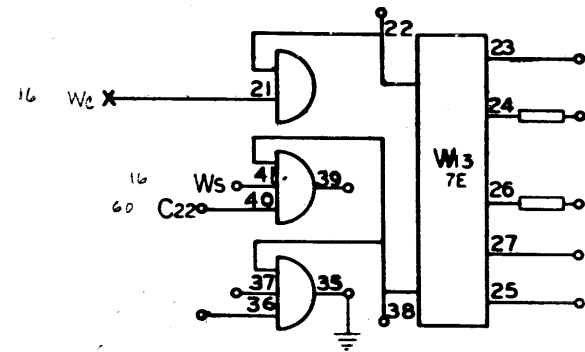
910
Page 17
A

| REV. | DRAWING NO. | DESCRIPTION | REFERENCE DESIGNATION | FORM NO. |
|--|-------------------------------|-----------------|---|----------|
| | | | | |
| MATERIAL LIST | | | | |
| NOTED UNLESS SPECIFIED | | | | |
| 1. DIMENSIONS UNLESS SPECIFIED ARE IN INCHES AND DECIMALS ARE TO THREE PLACES | DRAWN LH | DATE 9-18-62 | SDS SCIENTIFIC DATA SYSTEMS 1545 FIFTEENTH STREET, SANTA MONICA, CALIFORNIA | |
| 2. MAKE ALL SHARP EDGES AND CORNERS RADIUS UNLESS OTHERWISE SPECIFIED | CHECKED LH | DATE 10-1-62 | | |
| 3. ALL DIM. IN INCHES | APPROVED J. G. [Signature] | DATE 12/1/62 | | |
| TITLE | | | DIAGRAM, LOGIC, COMPUTER | |
| MODEL NO. | | | REV. NO. D | 101702 |
| NEXT ASSY. | | | | A |
| SCALE | | | NO NET SCALE DRAWING | SHEET |

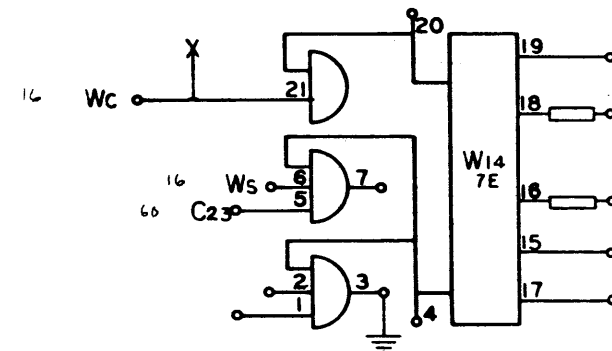
101702 A

17

| REVISIONS | | | |
|-----------|-------------|------|---------|
| REV. | DESCRIPTION | CHK. | DATE |
| A | REL TO MFG | | 12/1/62 |



W10, 11, 12, 13, 14 = Designation I/O UNIT
TO BE ACTIVATED



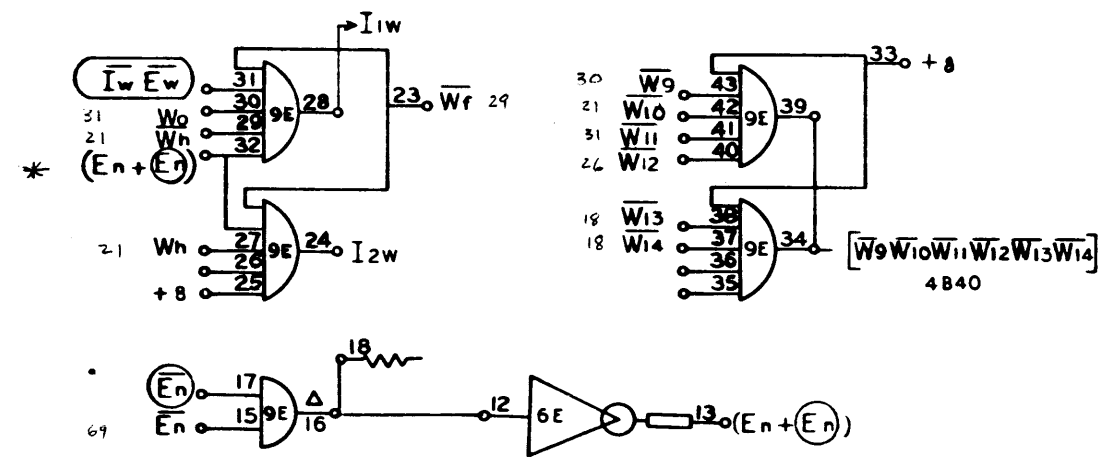
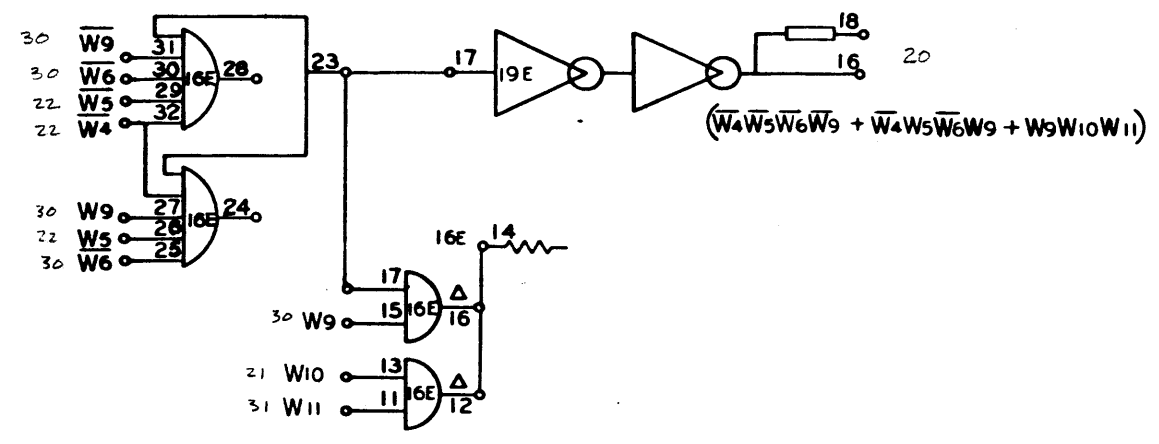
910
Page 18
A

23

101702 A

| REV. | DRAWING NO. | DESCRIPTION | REFERENCE DESIGNATION | ITEM NO. |
|-------------------------------------|-------------|---|-----------------------|----------|
| | | | | |
| NOTES UNLESS SPECIFIED | | | | |
| 1. UNLESS OTHERWISE SPECIFIED | DRAWN | LH | 9-19-62 | |
| 2. USE 1/8" DIA. DRILL | CHECK | LH | 11-1-62 | |
| 3. CLEAR ALL MOUNT SURF. AND SPACES | APPR. | J. C. ... | 12/1/62 | |
| 4. BACK COMPACT | | | | |
| 5. ALL DIM. IN INCHES | | | | |
| MATERIAL LIST | | 1540 FIFTEENTH STREET, SANTA MONICA, CALIFORNIA | | |
| MODEL NO. | | DIAGRAM, LOGIC, COMPUTER | | |
| REV. NO. | | D 101702 A | | |
| NEXT ASSY. | | SCALE DO NOT SCALE DRAWING SHEET | | |

| REVISIONS | | REV. | DESCRIPTION | CHK. | DATE | APPROVED |
|-----------|------------|------|-------------|------|------|----------|
| A | REL TO MFG | | | | | |



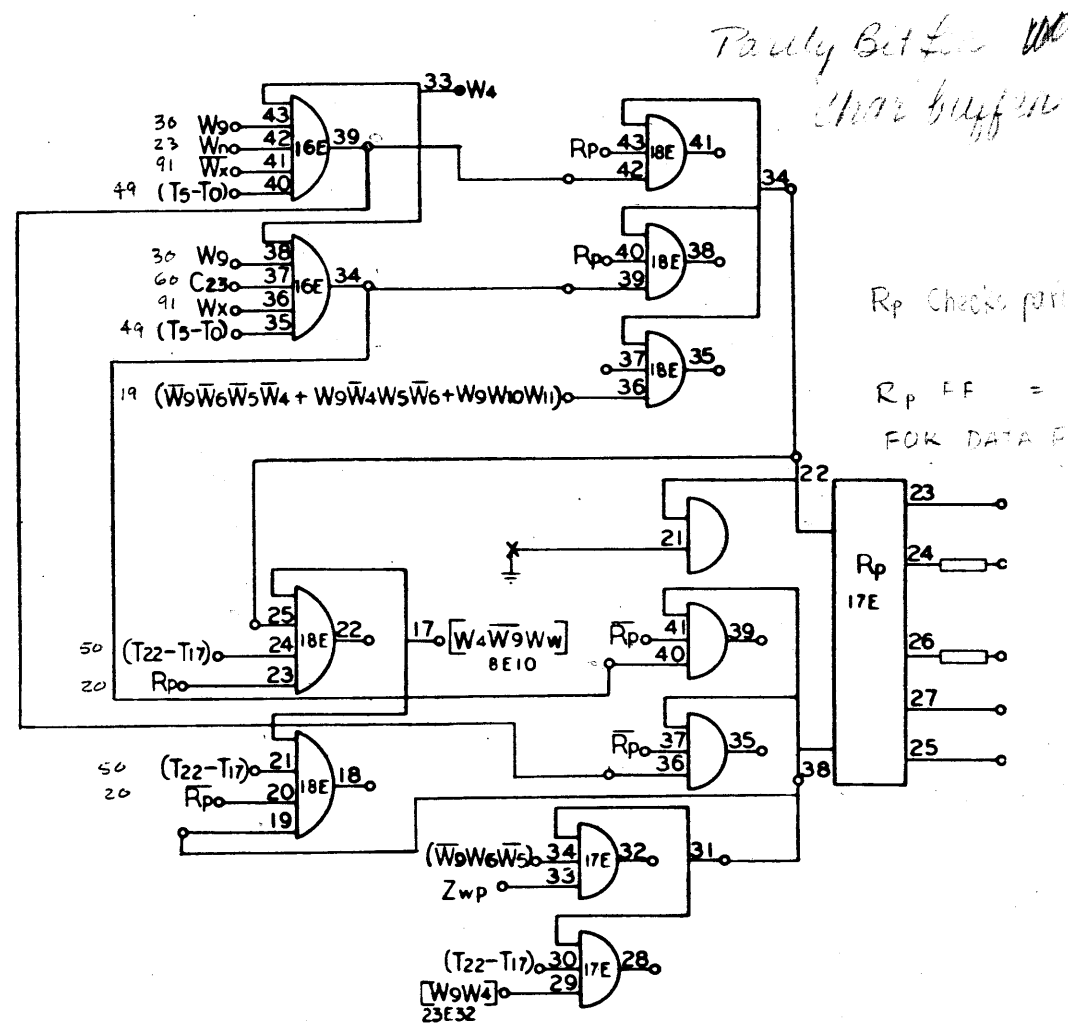
910
Page 19
A

24

101702 A

| REV. | DRAWING NO. | DESCRIPTION | REFERENCE DESIGNATION | ITEM NO. |
|--|-------------|---|---|----------|
| A | | | | |
| NOTES UNLESS SPECIFIED | | MATERIAL LIST | | |
| 1. TOLERANCES .125 ± .005 ANGULAR .015 ± .002 2 X 2. BREAK ALL SHARP CORNERS AND SPACES 3. HIDE SURFACES 4. ALL DIM. IN INCHES | | DRAWN: <i>ADH</i> 9-19-62 CHECK: <i>ADH</i> 12-1-62 AP'D: <i>ADH</i> 12-11-62 | SDS SCIENTIFIC DATA SYSTEMS 1545 FIFTY FIFTH STREET, SANTA MONICA, CALIFORNIA | |
| | | TITLE DIAGRAM, LOGIC COMPUTER | | |
| FORM. NO. | | SIZE | DWG. NO. | |
| | | D | 101702 | A |
| NEXT ASSY. | | SCALE: | DO NOT SCALE DRAWING | SHEET |

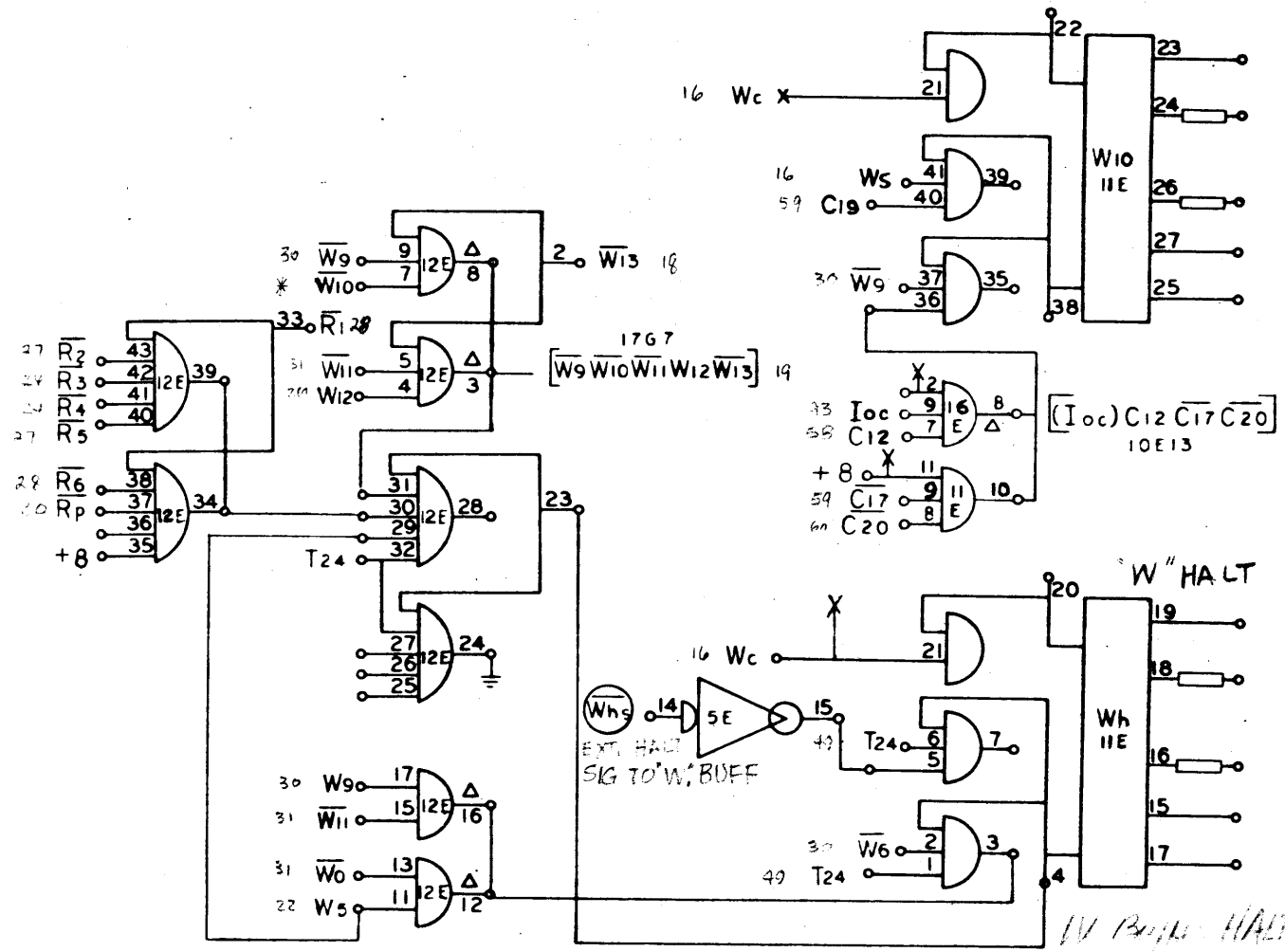
19



DIAGRAM, LOGIC,
COMPUTER DWG. NO. 101702

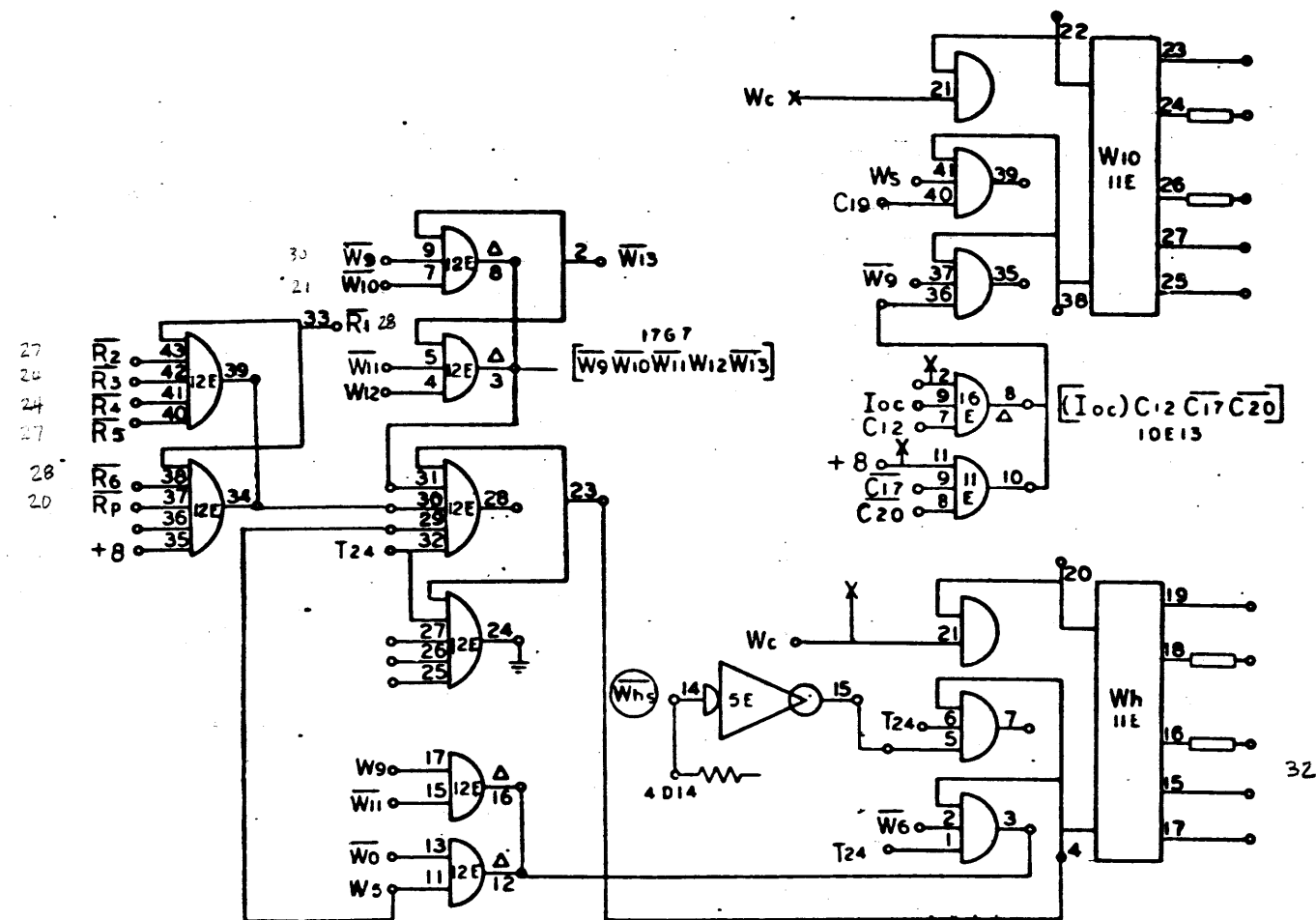
26

W10 IIE Designates I/O UNIT
TO BE ACTIVATED.



DIAGRAM, LOGIC,
COMPUTER DWG. NO. 101702

| REVISIONS | | | C1702 | F |
|-----------|--------------|------|-------|----------|
| REV | DESCRIPTION | TIME | DATE | APPROVED |
| A | REL TO MFG | / | 10/16 | A-3 |
| F | SEE REV E.O. | / | 1/6 | 1-3 |



REFERENCE DESIGNATIONS ARE ABBREVIATED. PREFIX THE DESIGNATION WITH UNIT NUMBER OR ASSEMBLY DESIGNATION OR BOTH. (MIL. STD. 168)

910
Page 21
F

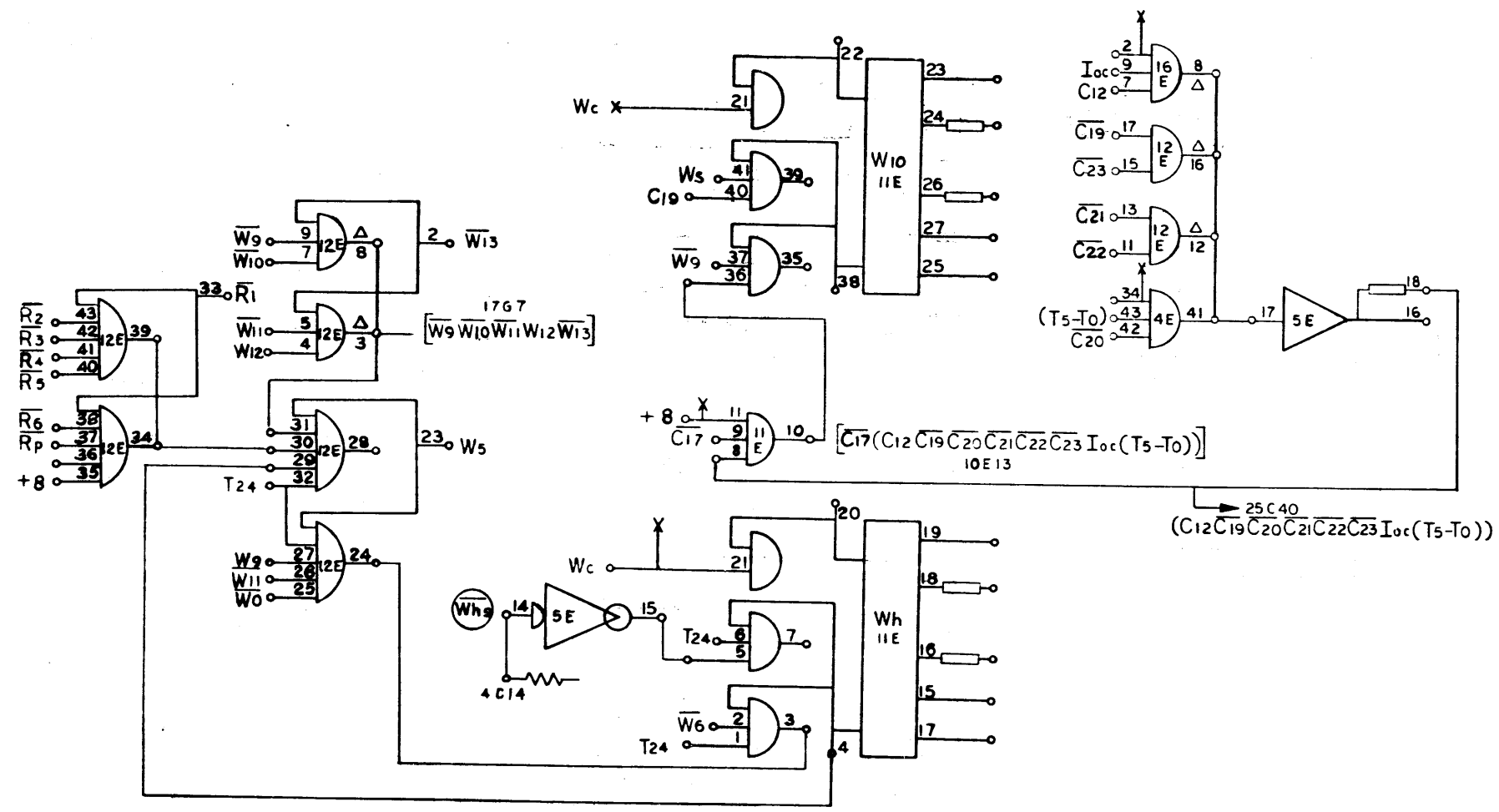
27

101702 F

SEE PREVIOUS PAGE

| REV | DRAWING NO. | DESCRIPTION | REFERENCE DESIGNATION | FORM NO. |
|--|-------------|-------------|--|----------|
| MATERIAL LIST | | | | |
| NOTES UNLESS SPECIFIED | | | | |
| 1. VOLTA-TRONIC | DRAWING | DATE | SDS | |
| 2. JEN 1 000 | CHECKED | 12-1-67 | 1525 AVENUE STREET SANTA MONICA CALIFORNIA | |
| 3. CHECK ALL DIMENSIONS AND TOLERANCES | APPROVED | 12/1/67 | TITLE | |
| 4. SHIP'S SURFACE | | | DIAGRAM, LOGIC, COMPUTER | |
| 5. ALL DIMENSIONS | | | MODEL NO. | |
| | | | D 101702 F | |
| | | | NEXT ADDY. | |
| | | | SCALE | |
| | | | DO NOT SCALE DRAWING SHEET | |

| REVISIONS | | | | 101702 |
|-----------|--------------|-----|------|----------|
| REV | DESCRIPTION | CHK | DATE | APPROVED |
| A | REL TO MFG | | | |
| F | SEE REV E.O. | | | |
| | SEE REV E.O. | | | |

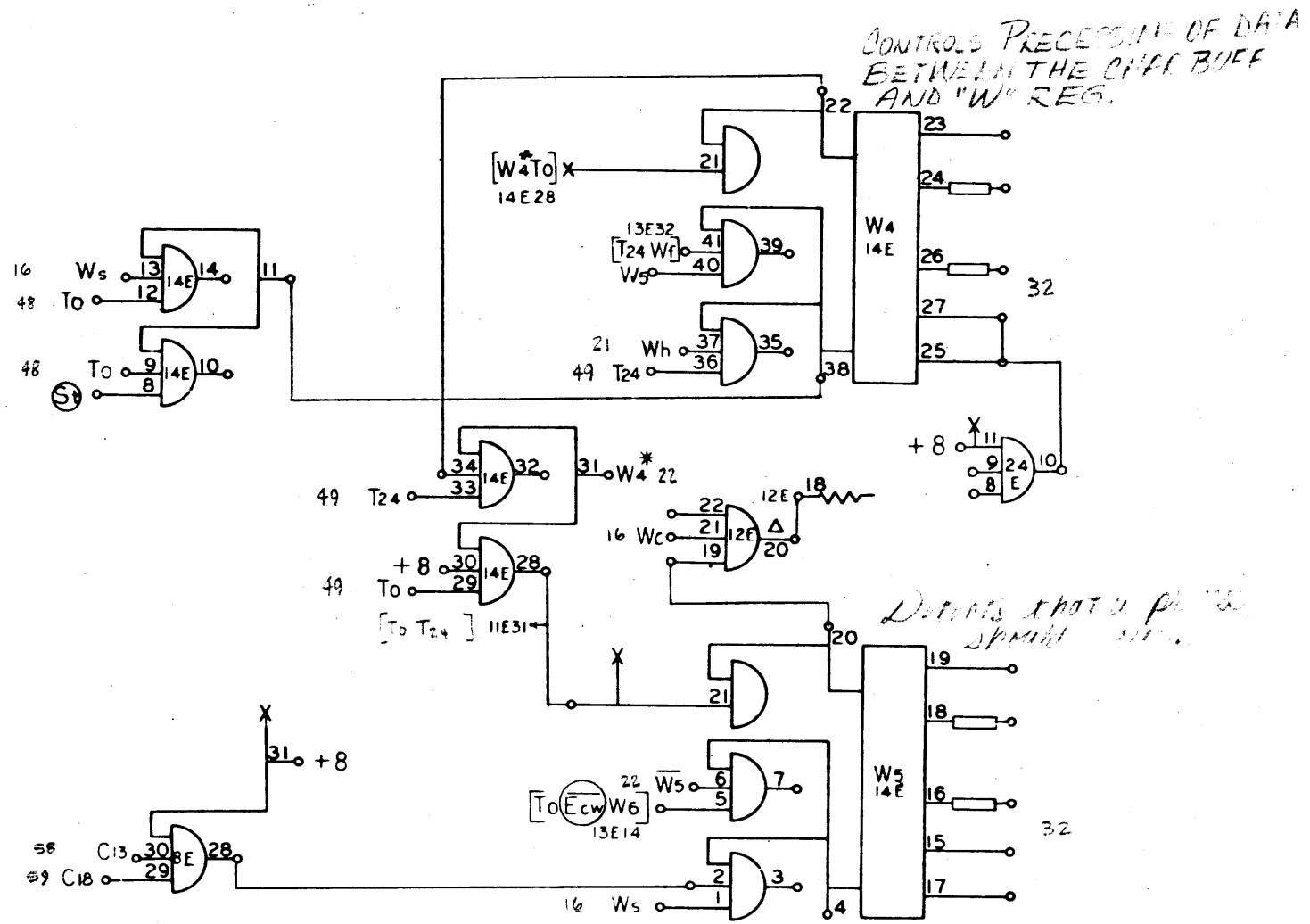


REFERENCE DESIGNATIONS ARE ABBREVIATED. PREFIX THE DESIGNATION WITH UNIT NUMBER OR ASSEMBLY DESIGNATION OR BOTH. (MIL. STD. 163)

910
Page 21
K

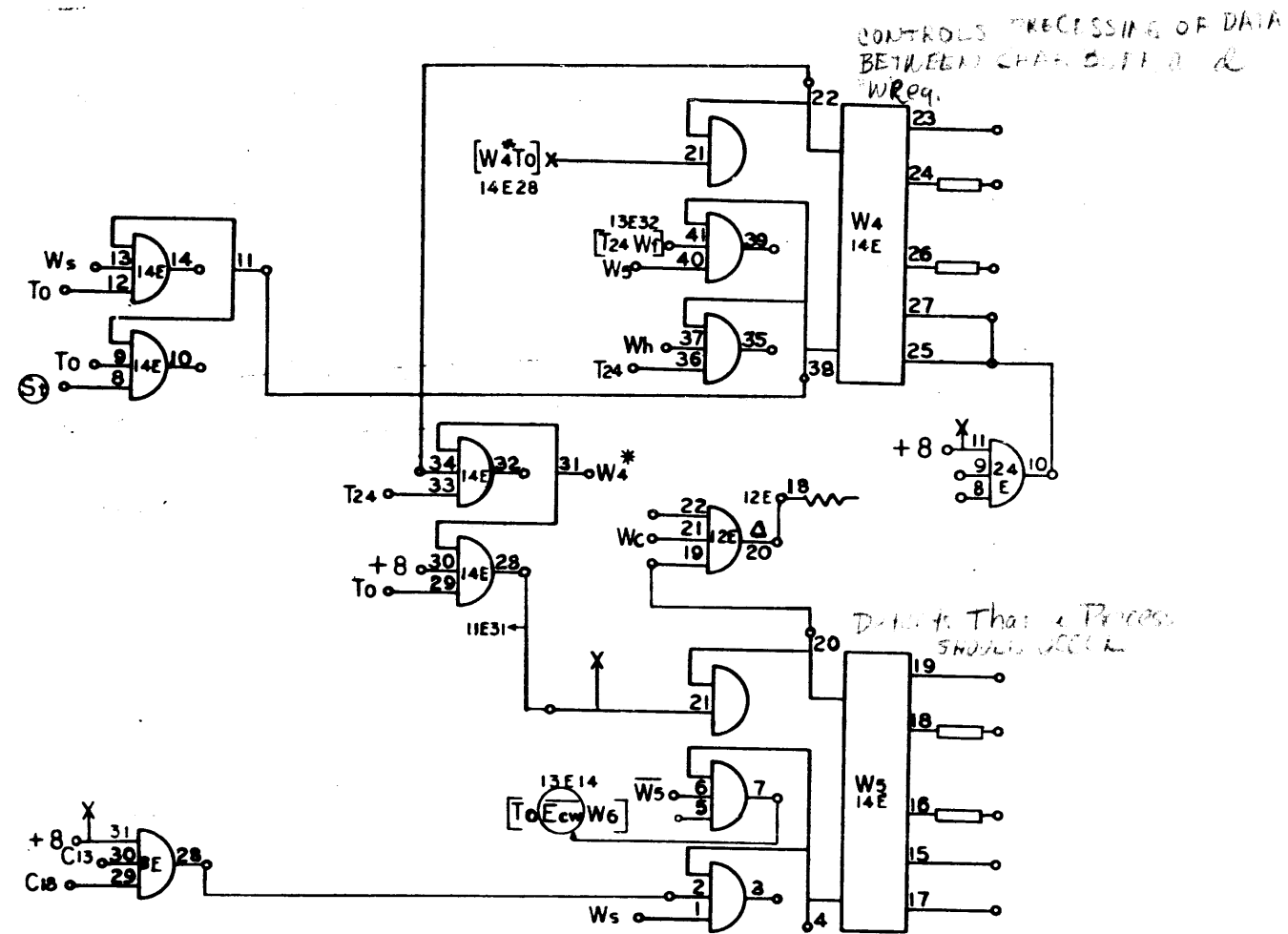
| NO. REQ | DRAWING NO. | DESCRIPTION | REFERENCE DESIGNATION | ITEM NO. |
|------------------------|-----------------------|--------------------------|-----------------------|----------|
| MATERIAL LIST | | | | |
| NOTES UNLESS SPECIFIED | | | | |
| 1 | TOLERANCES | 25 ± .010 | ANGULAR | ± 1° |
| 2 | SEE | ± .010 | ± 1° | |
| 3 | BREAK ALL SHARP EDGES | 0.015 APPROX. | | |
| 4 | BACK SURFACES | ✓ | | |
| 5 | ALL DIM. IN INCHES | | | |
| MODEL NO. | | TITLE | | |
| NEXT ASSY. | | DIAGRAM, LOGIC, COMPUTER | | |
| SCALE | | DO NOT SCALE DRAWING | SHEET | |
| | | SEE | DWG NO. | |
| | | D | 101702 | K |

SEE ~~REV E.O.~~ PAGE 21A



24

| REVISIONS | | | |
|-----------|--------------|------|------|
| REV. | DESCRIPTION | CHK. | DATE |
| A | REL TO MFG | | |
| D | SEE REV E.G. | | |



30

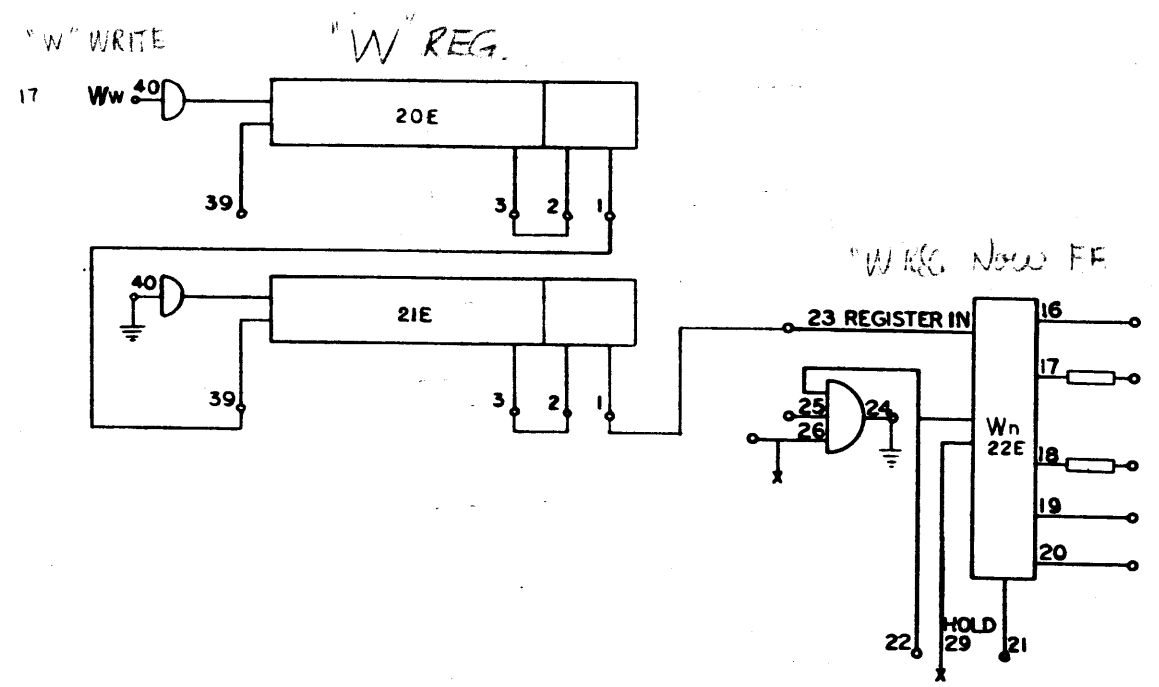
910
Page 22
D

| REV. NO. | DRAWING NO. | DESCRIPTION | REFERENCE DESIGNATION | ITEM NO. |
|--|-------------|--|-----------------------|----------|
| NOTES UNLESS SPECIFIED: | | | | |
| 1. TOLERANCES UNLESS SPECIFIED ARE AS SHOWN | | | | |
| 2. DIMENSIONS ARE UNLESS OTHERWISE SPECIFIED | | | | |
| 3. DIMENSIONS ARE UNLESS OTHERWISE SPECIFIED | | | | |
| 4. ALL DIM. IN INCHES | | | | |
| MATERIAL LIST | | SDS DATA SYSTEMS 1545 FIFTEENTH STREET, SANTA MONICA, CALIFORNIA | | |
| DRAWN: RAH 8-5-62 CHECKED: JLD 11-1-67 APPROVED: C. M. 11/1/62 | | TITLE DIAGRAM, LOGIC COMPUTER | | |
| MODEL NO. | | REV. NO. | D | D |
| DATE | | SCALE | 101702 | |
| DO NOT SCALE DRAWING | | CHECK | | |

SEE PREVIOUS PAGE

101702 D

| REVISIONS | | | | 101702 | A |
|-----------|-----------------|-----|---------|-------------|---|
| REV. | DESCRIPTION | CHK | DATE | APPROVED | |
| A | RELEASED TO MFG | JH | 10-1-62 | [Signature] | |



910
Page 23
A

31

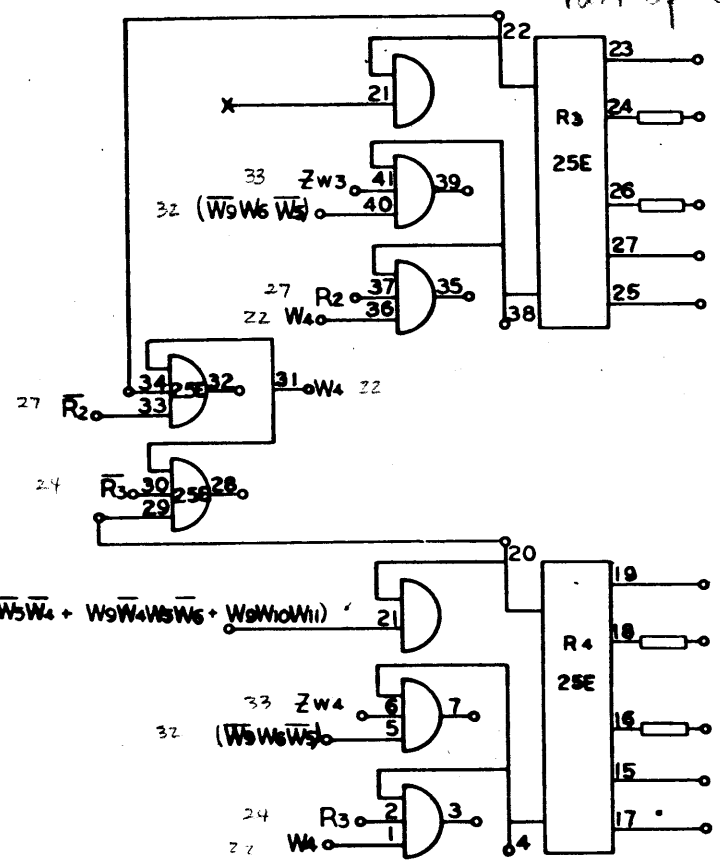
101702 A

| DRAWING NO. | | DESCRIPTION | | REFERENCE DESIGNATION | | FORM | |
|---|--|---|--------------------------|---|--|----------|--|
| MATERIAL LIST | | | | SDS SCIENTIFIC DATA SYSTEMS 1742 FAYERSHAW STREET, SANTA MONICA, CALIFORNIA | | | |
| 1. UNLESS SPECIFIED ALL DIMENSIONS ARE IN INCHES UNLESS OTHERWISE NOTED | | DRAWN: [Signature] CHECK: [Signature] APPR: [Signature] | DATE: 3-19-62 10/1/62 | TITLE DIAGRAM, LOGIC, COMPUTER | | | |
| MODEL NO. | | REV. NO. | | REV. NO. | | REV. NO. | |
| | | D | | 101702 | | A | |
| NEXT ASSY. | | SCALE | | DO NOT SCALE DRAWING | | SHEET | |

23

| REVISIONS | | | | |
|-----------|-------------|------|---------|----------|
| REV. | DESCRIPTION | CHK. | DATE | APPROVED |
| A | REL TO MFG | LD | 12-1-67 | |

Part of Char Buff.



32

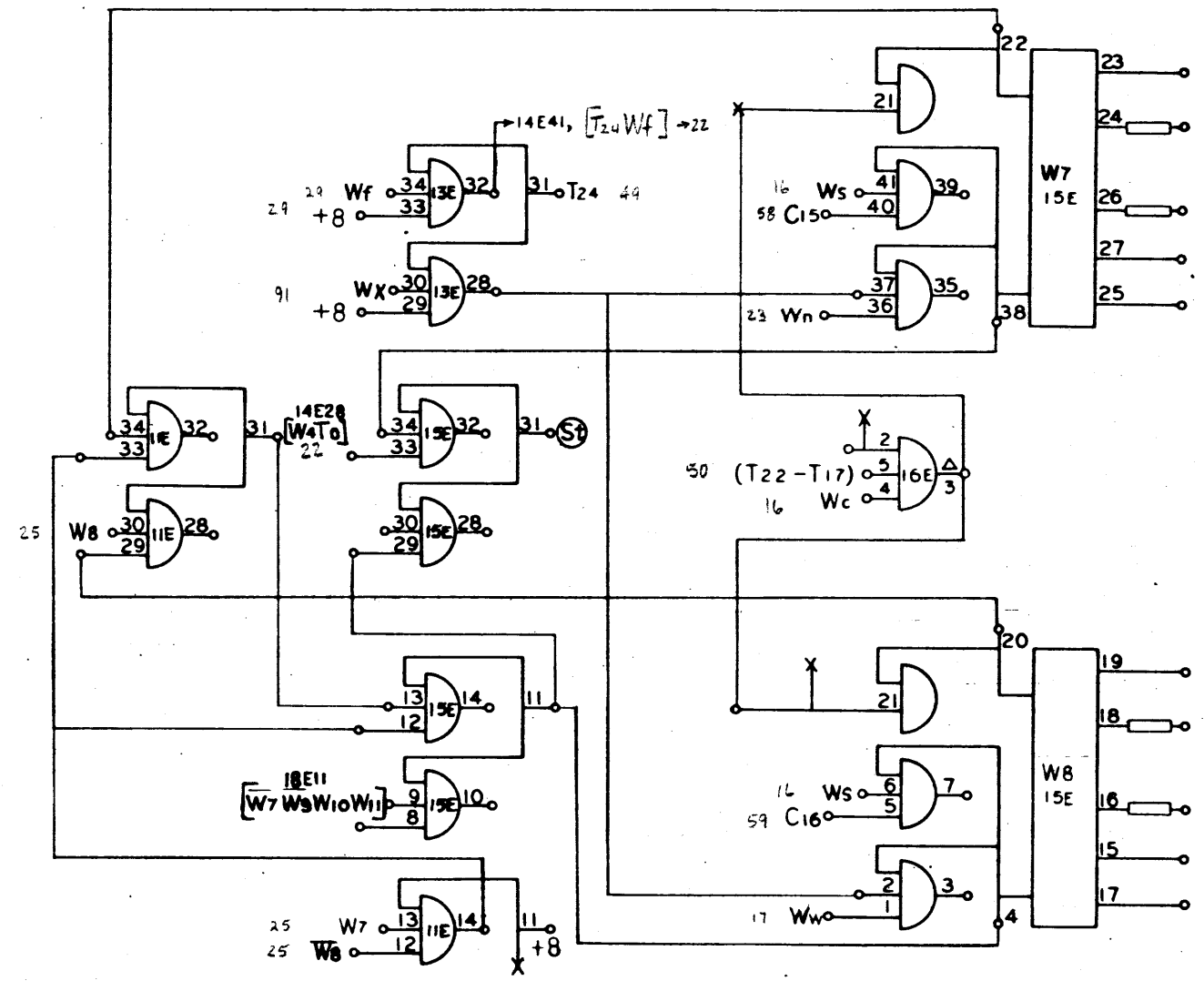
910
Page 24
A

101702 A

| NO. REQ. | DRAWING NO. | DESCRIPTION | REFERENCE DESIGNATION | ITEM NO. |
|--------------------------------------|-------------|---|-----------------------|----------|
| MATERIAL LIST | | | | |
| NOTES UNLESS SPECIFIED | | E. DAVIS | 101702 | |
| 1. UNLESS OTHERWISE SPECIFIED | | CHKD: LD | 12-1-67 | |
| 2. DIMENSIONS ARE IN INCHES | | DATE: 12-1-67 | | |
| 3. SHARP ALL SHARP EDGES AND CORNERS | | | | |
| 4. HIDE SURFACES | | | | |
| 5. ALL DIMENSIONS | | | | |
| | | DIGITIZED DATA SYSTEMS 1545 FIFTEENTH STREET SANTA MONICA CALIFORNIA | | |
| | | TITLE DIAGRAM, LOGIC COMPUTER | | |
| LIBEL. NO. | | REV. | DWG. NO. | ITEM NO. |
| | | | 101702 | A |
| NEXT ASSY. | | SCALE | E'S NOT SCALE DRAWING | SHEET |
| | | | | |

24

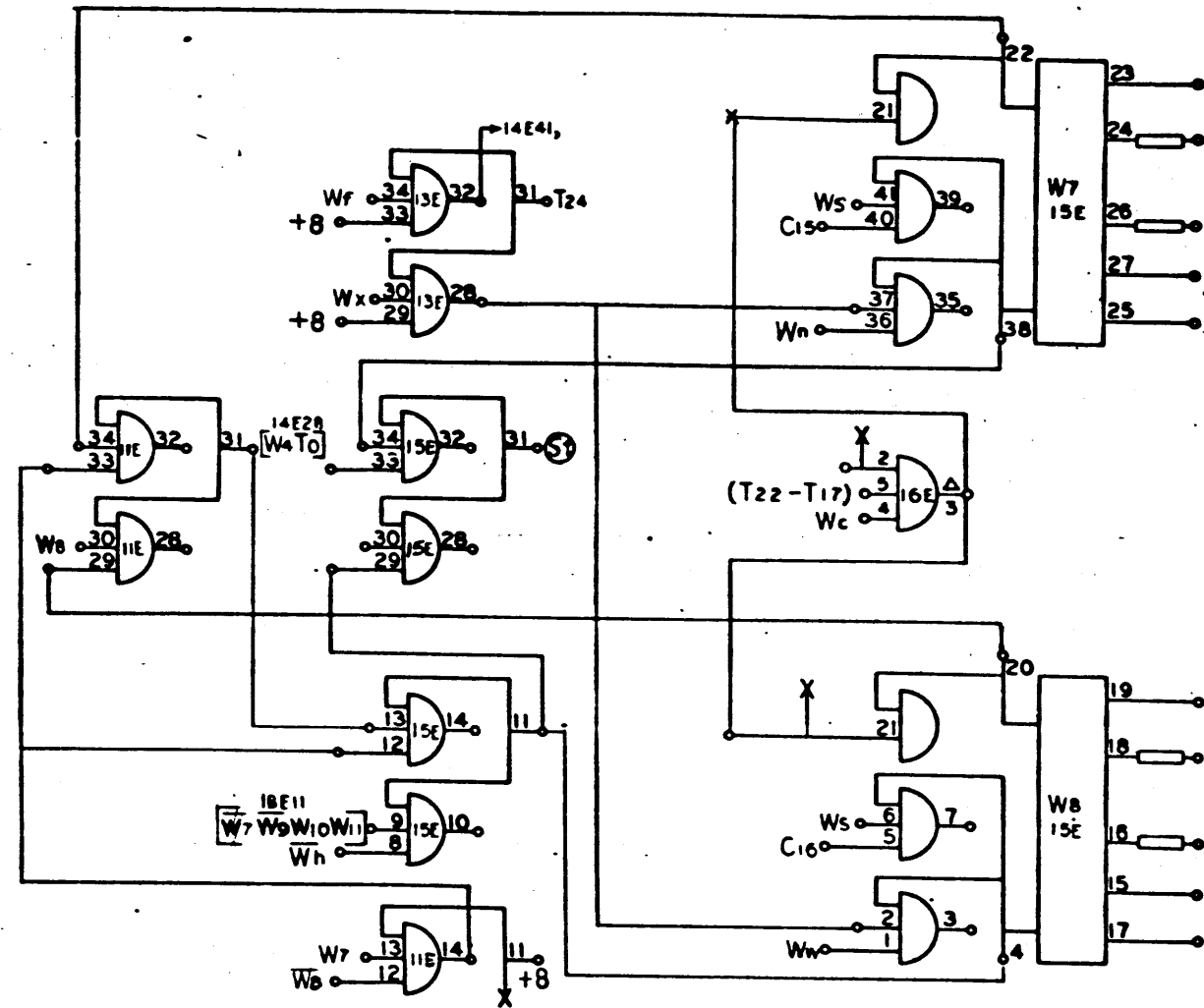
W7-W8 = 4-bit Counter



33

DIAGRAM, LOGIC,
COMPUTER DWG. NO. 101702

| REVISIONS | | | | 01702 | D |
|-----------|--------------|-----|------|----------|---|
| REV | DESCRIPTION | CHK | DATE | APPROVED | |
| A | REL TO MFG | | | | |
| D | SEE REV E.O. | | | | |



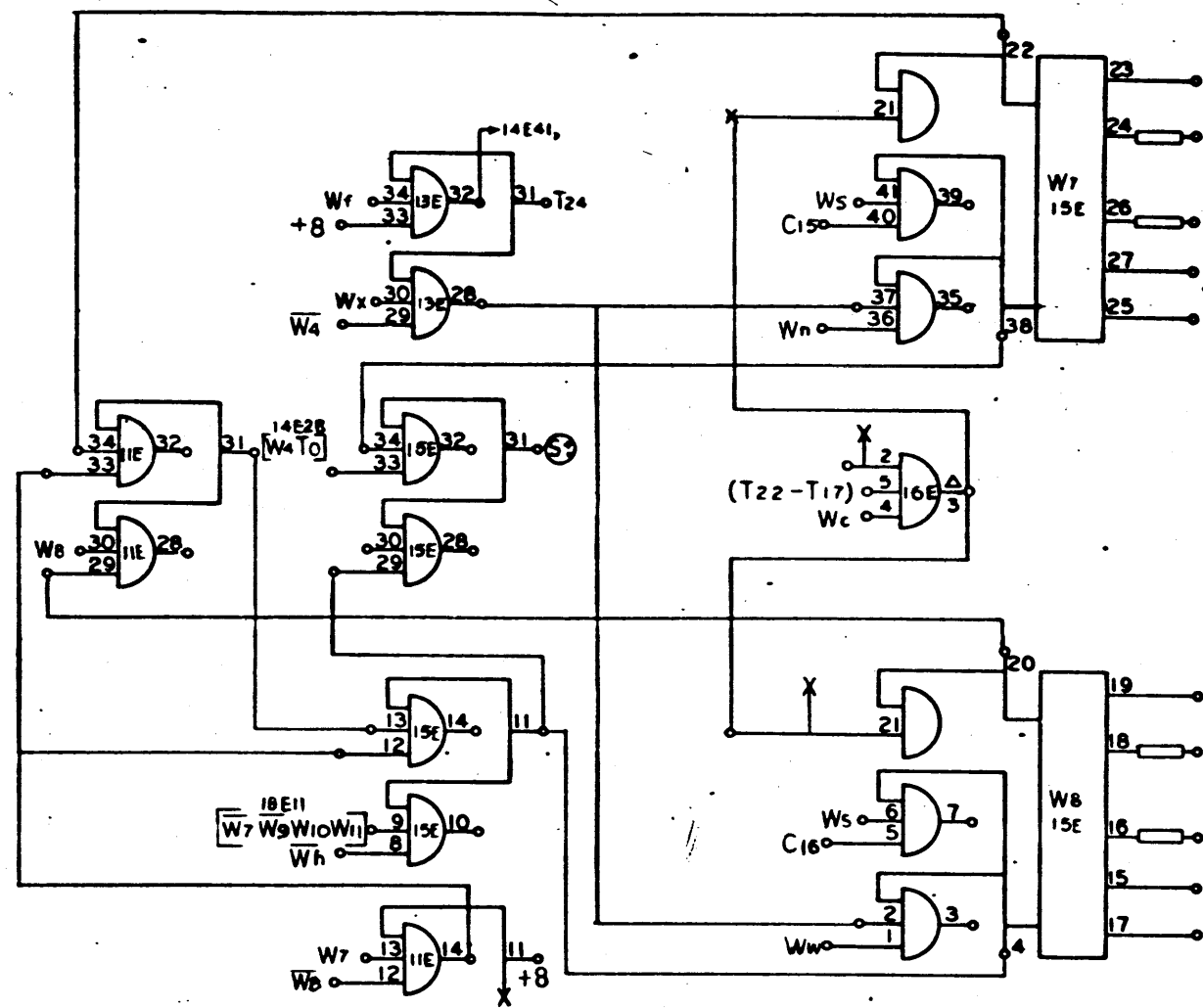
31

910
Page 25
D

| REV | DRAWING NO. | DESCRIPTION | REFERENCE DESIGNATION | ITEM NO. |
|-------------------------|-------------|----------------------|---|----------|
| NOTES UNLESS SPECIFIED | | | | |
| DRAWN | | 9-10-62 | SDS | |
| CHECK | | 11-1-62 | CONSULTING DATA SYSTEMS | |
| APPR. | | 12/1/62 | 1540 FIFTEENTH STREET SANTA MONICA CALIFORNIA | |
| DIAGRAM, LOGIC COMPUTER | | | | |
| MODEL NO. | | | REV | 01702 |
| NEXT REV. | | | D | D |
| SCALE | | DO NOT SCALE DRAWING | -1157 | |

SEE PREVIOUS PAGE

| REVISIONS | | | | 1017C2 15 |
|-----------|--------------|---------|----|-----------|
| REV | DESCRIPTION | DATE | BY | APPROVED |
| A | REL TO MFG | 10/1/64 | | |
| D | SEE REV E.O. | 10/1/64 | | |
| K | SEE REV E.O. | 10/1/64 | | |



35

1017C2 K

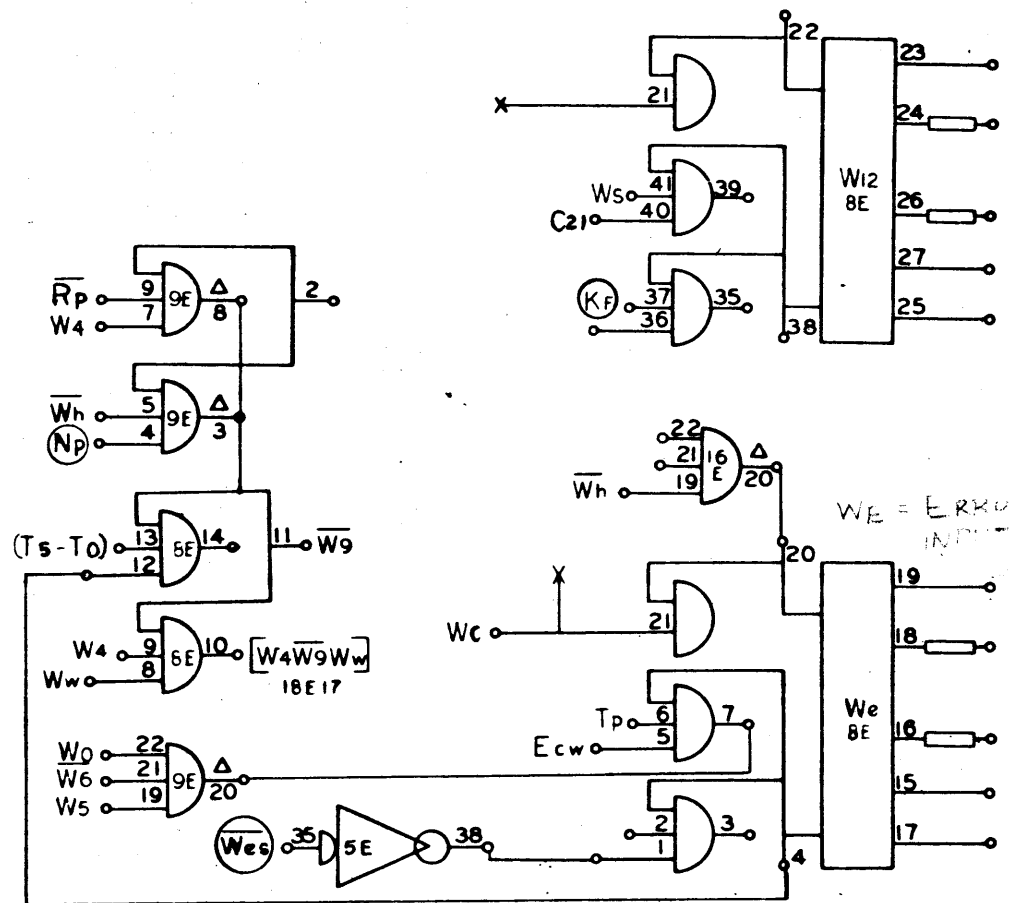
910
Page 25
K

| REV | DRAWING NO. | DESCRIPTION | REFERENCE DESIGNATION | FORM NO. |
|------------------------|-------------|--|-----------------------|----------|
| NOTES UNLESS SPECIFIED | | | | |
| DRAWN: <i>L.H.</i> | | MATERIAL LIST | | |
| CHECK: <i>J.H.</i> | | SDS SCIENTIFIC DATA SYSTEMS 1942 GENESEE STREET, SANTA MONICA, CALIFORNIA | | |
| APPROVED: <i>J.H.</i> | | TITLE | | |
| DATE: <i>10/1/64</i> | | DIAGRAM, LOGIC COMPUTER | | |
| MODEL NO. | | REV | DWG NO. | FORM NO. |
| NEXT ASSY. | | D | 1017C2 | K |
| SCALE | | DO NOT SCALE DRAWING | | |

SEE PAGE 25A

36

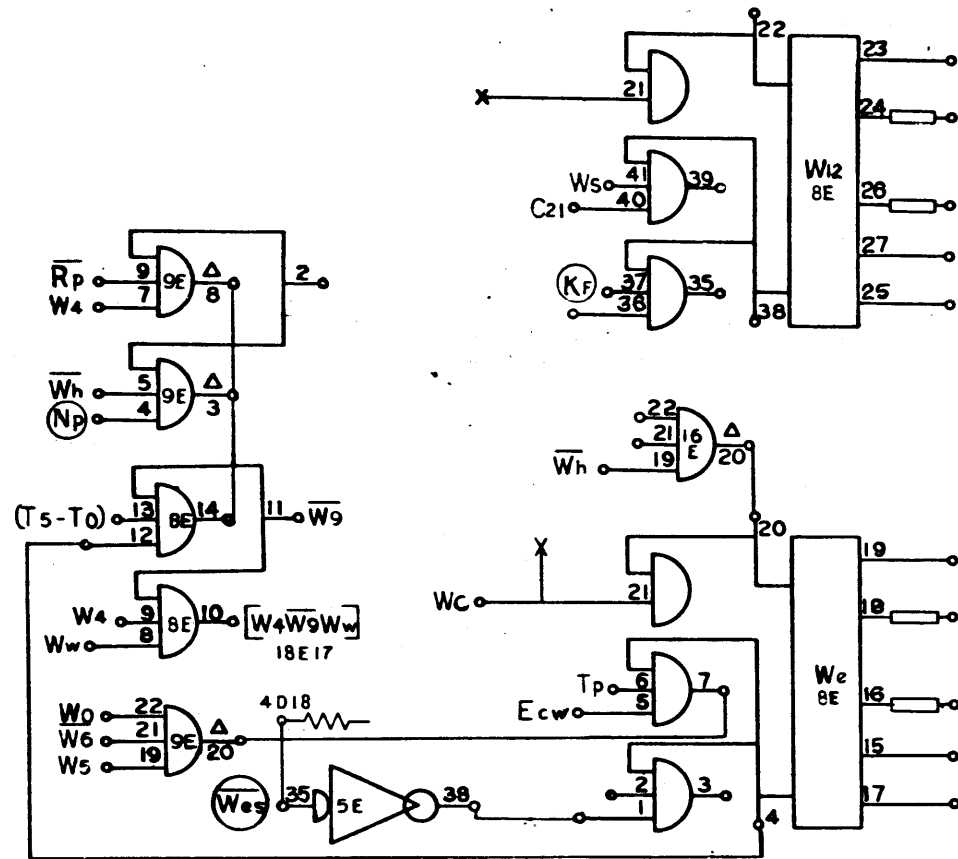
W10, 11, 12, 13, 14 designate unit address
b2 - activation



WE = ERROR SIGNAL FOR
INPUT OR OUTPUT

DIAGRAM, LOGIC,
COMPUTER DWG. NO. 101702

| REVISIONS | | | | 101702 | F |
|-----------|--------------|-----|---------|-------------|---|
| REV | DESCRIPTION | CHK | DATE | APPROVED | |
| A | REL TO MFG | JH | 9-10-68 | [Signature] | |
| F | SEE REV E.O. | JH | 7-16-68 | [Signature] | |



910
Page 26
F

37

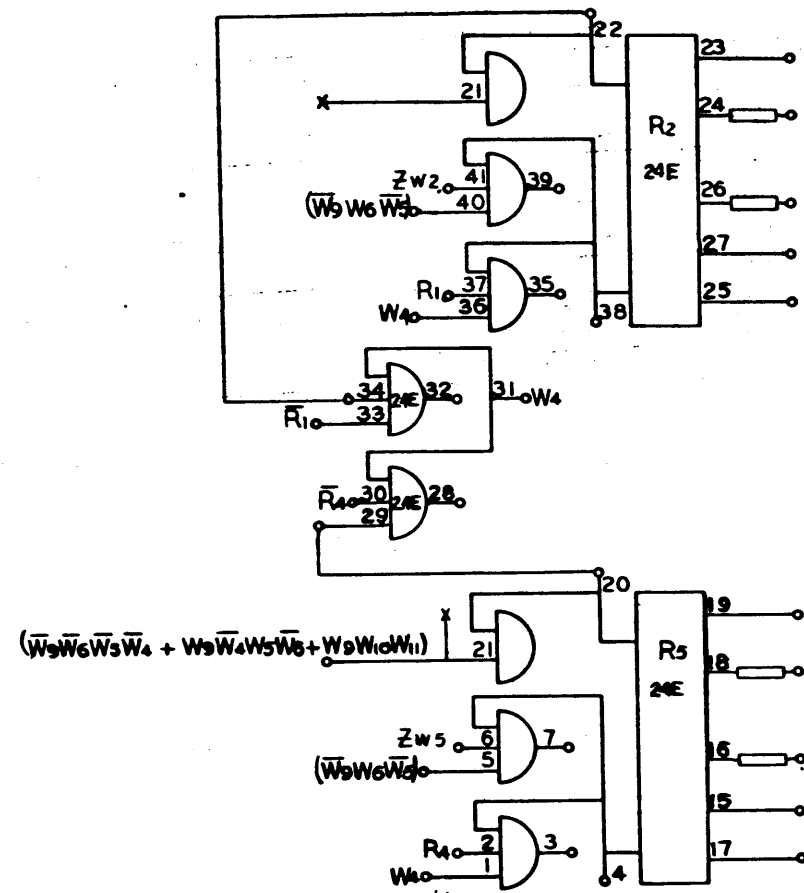
101702 F

| REV | DRAWING NO. | DESCRIPTION | REFERENCE DESIGNATION | ITEM NO. |
|--|-------------|-------------|---|----------------------------|
| NOTES UNLESS SPECIFIED | | | | |
| 1. TOL UNLESS SPECIFIED | DRAWN | 9-10-68 | SDS SCIENTIFIC DATA SYSTEMS | |
| 2. ALL DIMENSIONS ARE IN INCHES | CHECK | 10-1-68 | 1545 FIFTEENTH STREET, SANTA MONICA, CALIFORNIA | |
| 3. DIMENSIONS ARE TO CENTER UNLESS OTHERWISE SPECIFIED | APPR. | 10/1/68 | TITLE | |
| 4. ALL DIMENSIONS ARE TO CENTER | | | DIAGRAM, LOGIC, COMPUTER | |
| REV. NO. | | | C:21 | REV. NO. |
| | | | D | 101702 |
| | | | | F |
| | | | SCALE | DO NOT SCALE DRAWING SHEET |

SEE PREVIOUS PAGE

| REVISIONS | | | | 101702 | A |
|-----------|-------------|-----|-------|-------------|---|
| REV | DESCRIPTION | CHK | DATE | APPROVED | |
| A | RFL TO MFG | JH | 11/68 | [Signature] | |

Part of CHAK buff



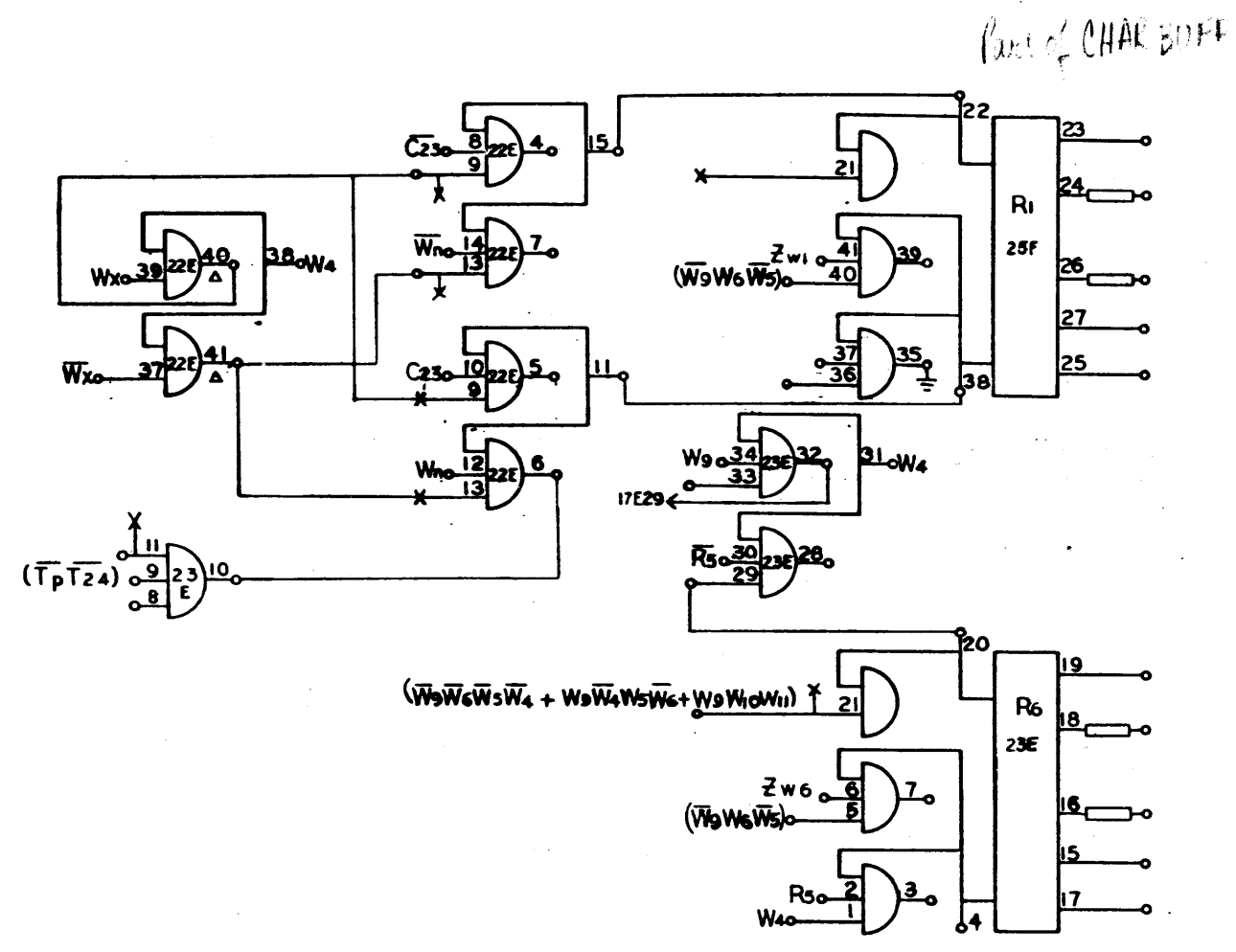
38

910
Page 27
A

| NO. REV. | DRAWING NO. | DESCRIPTION | REFERENCE DESIGNATION | ITEM NO. |
|--------------------------------------|-------------|---|-----------------------|----------|
| NOTES UNLESS SPECIFIED | | MATERIAL LIST | | |
| 1. TOLERANCES UNLESS SPECIFIED | | DATE | 3-19-69 | |
| 2. DIMENSIONS UNLESS SPECIFIED | | CHECK | JH | |
| 3. BREAK ALL SHARP EDGES AND APPROX. | | APPR. | [Signature] | |
| 4. HIDE SURFACES | | WYLE | | |
| 5. ALL DIM. IN INCHES | | SDS DIGITISING DATA SYSTEMS 1540 FIFTEENTH STREET SANTA MONICA, CALIFORNIA | | |
| DIAGRAM, LOGIC, COMPUTER | | | | |
| MODEL NO. | | REV | DWG NO. | ITEM NO. |
| | | D | 101702 | A |
| NEXT ASSY. | | SCALE | DO NOT SCALE DRAWING | SHEET |

101702/A

| REVISIONS | | | |
|-----------|-------------|------|------|
| REV. | DESCRIPTION | CHK. | DATE |
| A | REL TO MFG | | |



910
Page 28
A

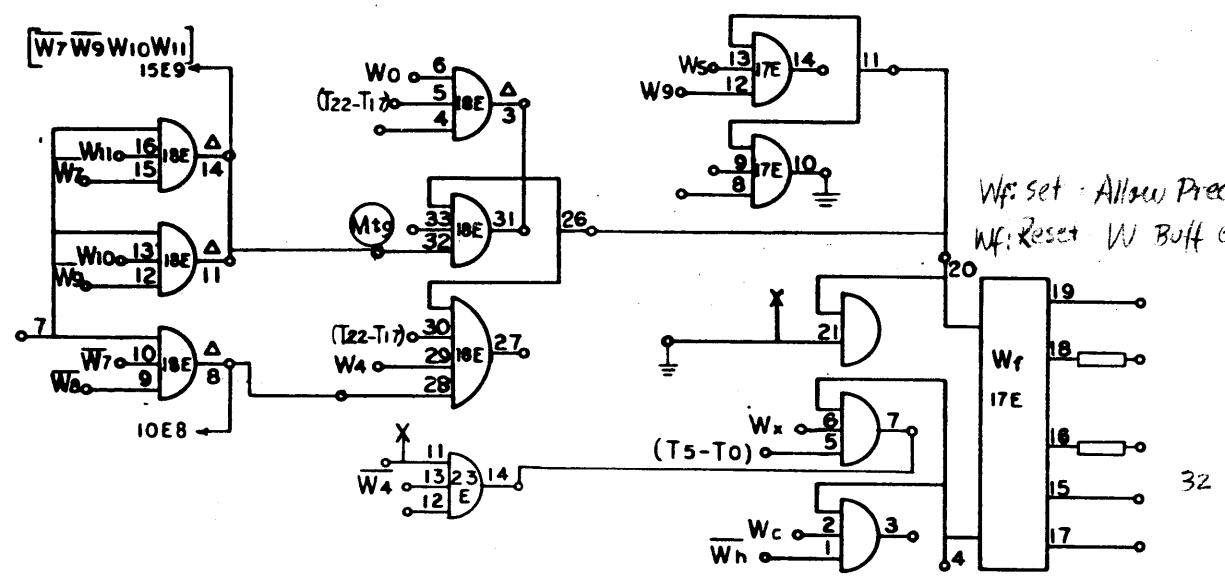
39

101702 A

| REV. | DRAWING NO. | DESCRIPTION | REFERENCE DESIGNATION | ITEM NO. |
|---|-------------|-------------|--------------------------|----------------------------|
| MATERIAL LIST | | | | |
| NOTES UNLESS SPECIFIED | | BRNWR | 9-19-29 | |
| 1. TOLERANCES UNLESS SPECIFIED | | CHKD | 10-1-64 | |
| 2. DIMS TO CENTER UNLESS OTHERWISE NOTED | | APPR | 10/1/64 | |
| 3. DIMS TO SURFACE UNLESS OTHERWISE NOTED | | | | |
| 4. ALL DIMS IN INCHES | | | | |
| | | | TITLE | |
| | | | DIAGRAM, LOGIC, COMPUTER | |
| MODEL NO. | | | REV. NO. | |
| | | | D | 101702 |
| NEXT ASSY. | | | SCALE | DO NOT SCALE DRAWING SHEET |

28

| REVISIONS | | | | 101702 | A |
|-----------|-------------|-----|---------|-------------|---|
| REV. | DESCRIPTION | CHK | DATE | APPROVED | |
| A | REL TO MFG | JH | 10/1/60 | [Signature] | |

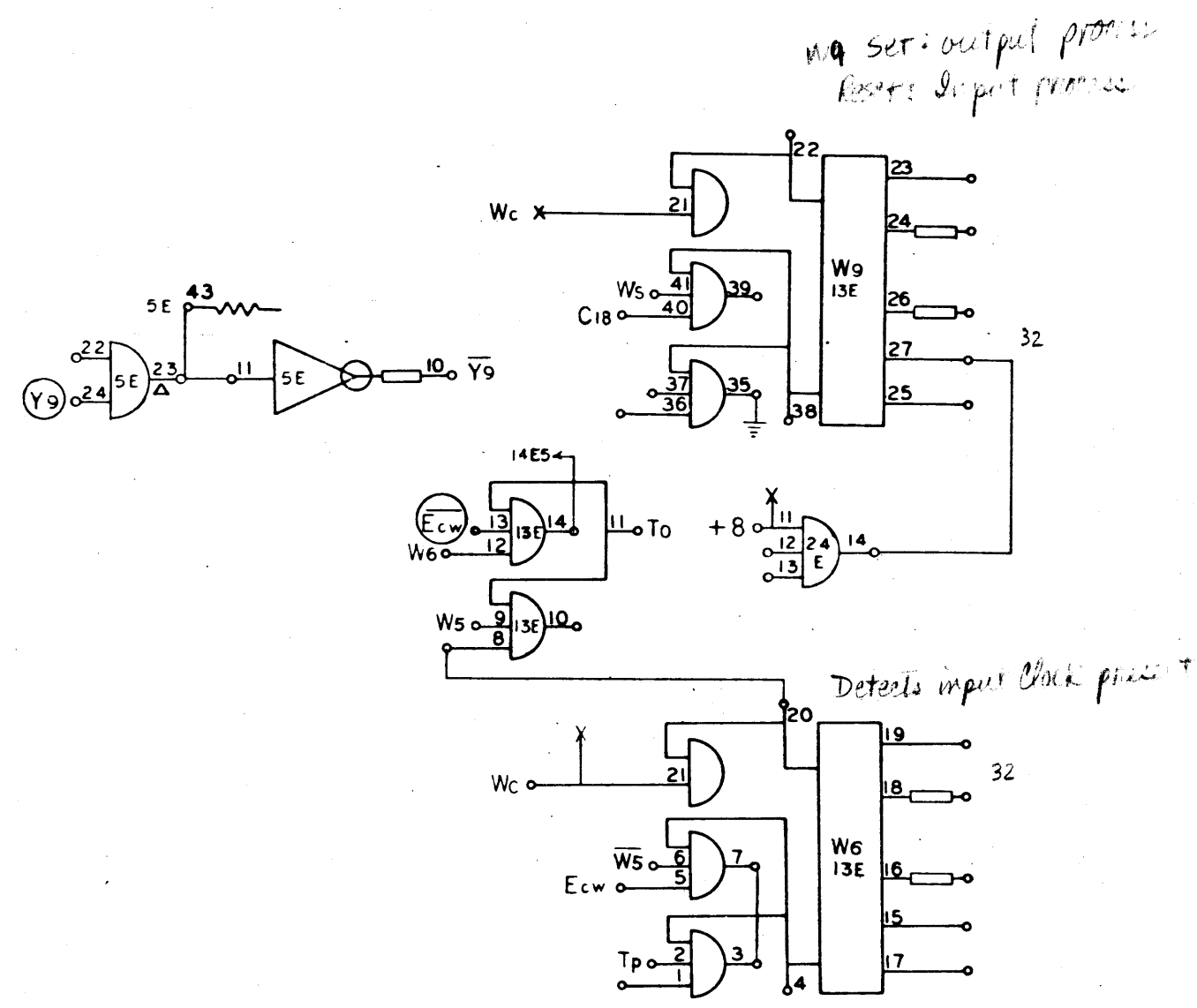


46

910
Page 29
A

101702
A

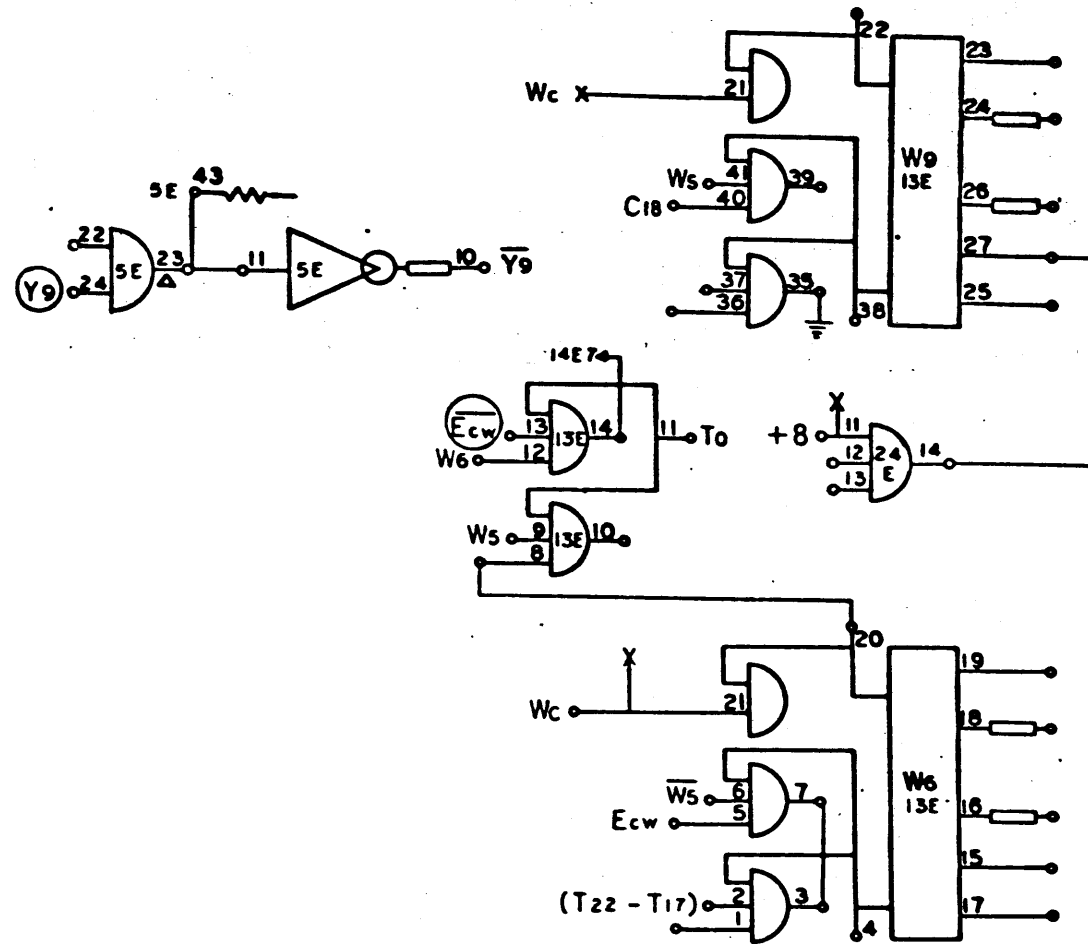
| NO. / REV. | DRAWING NO. | DESCRIPTION | REFERENCE DESIGNATION | ITEM NO. |
|---|-------------|--|---|----------|
| MATERIAL LIST | | | | |
| NOTES UNLESS SPECIFIED | | DRAWN: R.H. 9-20-62 CHECK: J.H. 10-1-64 APPR: J.H. 10/1/60 | SD3 ENGINEERING DATA SYSTEMS 1545 FIFTEENTH STREET SANTA MONICA, CALIFORNIA | |
| 1. UNLESS SPECIFIED 2. 2.000 ANGLES 3. 2.000 DIMS 4. UNLESS ALL DIMS SHOWN 5. DIMS TO CENTER 6. ALL DIMS IN INCHES | | DIAGRAM, LOGIC, COMPUTER | | |
| MODEL NO. | | REV. | DWG. NO. | ITEM NO. |
| NEXT ASSY. | | D | 101702 | A |
| SCALE | | DO NOT SCALE DRAWING | | SHEET |



DIAGRAM, LOGIC
COMPUTER DWG. NO. 101702

41

| REVISIONS | | | 101702 | D |
|-----------|--------------|-----|--------|----------|
| REV | DESCRIPTION | CHK | DATE | APPROVED |
| A | REL TO MFG | | | |
| D | SEE REV E.O. | | | |

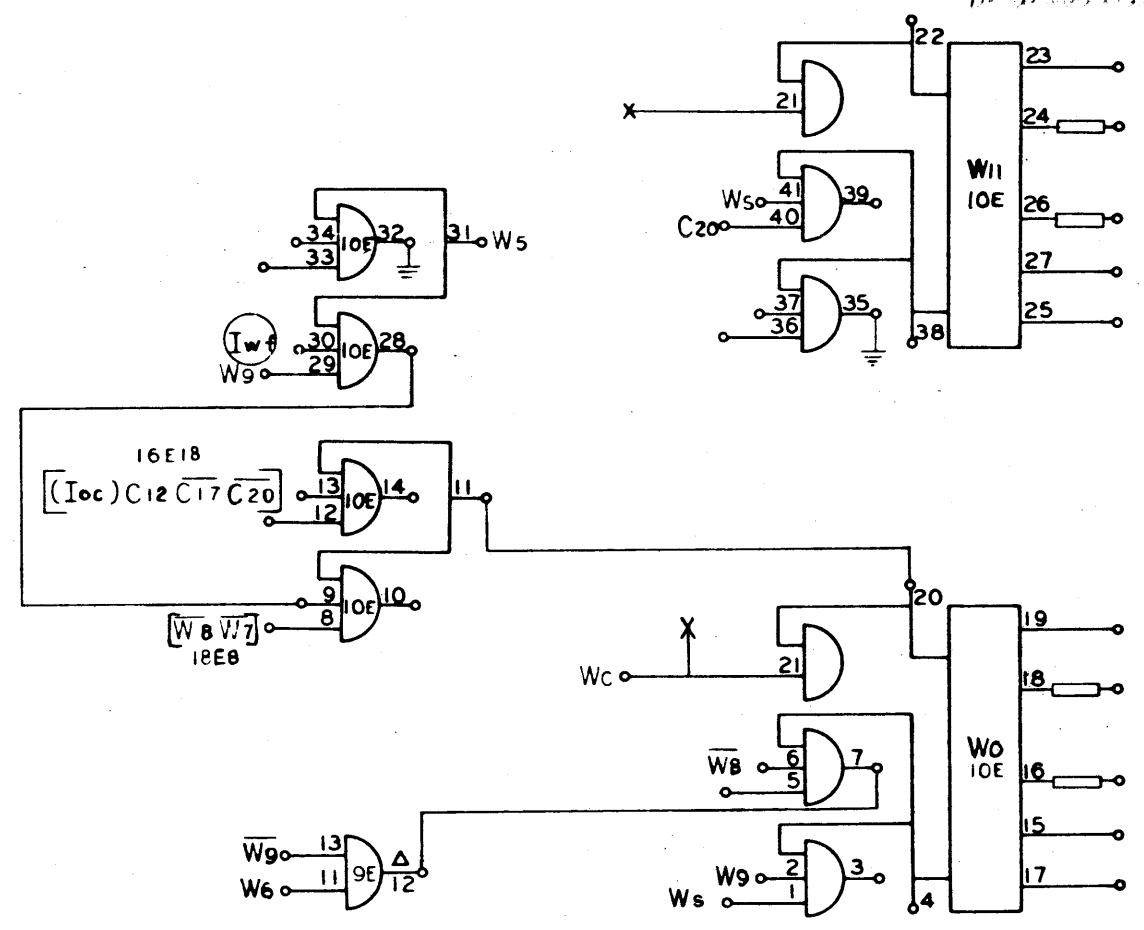


910
Page 30
D

| FIG. NO. | DRAWING NO. | DESCRIPTION | REFERENCE DESIGNATION | FILE NO. | | | | | | | | |
|--|----------------------|------------------|-----------------------|----------|-----------|----------------------|------------------|--|--|---|--------|---|
| | | | | | | | | | | | | |
| NOTES UNLESS SPECIFIED | | | | | | | | | | | | |
| 1. TOLERANCES UNLESS SPECIFIED | DRAWN | CHK | DATE | | | | | | | | | |
| 2. DIMENSIONS UNLESS SPECIFIED | | | | | | | | | | | | |
| 3. DIMENSIONS UNLESS SPECIFIED | | | | | | | | | | | | |
| 4. DIMENSIONS UNLESS SPECIFIED | | | | | | | | | | | | |
| 5. DIMENSIONS UNLESS SPECIFIED | | | | | | | | | | | | |
| MATERIAL LIST | | | | | | | | | | | | |
| <table border="1"> <tr> <td>QTY</td> <td>DESCRIPTION</td> <td>REF. DESIGNATION</td> </tr> <tr> <td></td> <td></td> <td></td> </tr> </table> | | | | | QTY | DESCRIPTION | REF. DESIGNATION | | | | | |
| QTY | DESCRIPTION | REF. DESIGNATION | | | | | | | | | | |
| | | | | | | | | | | | | |
| <table border="1"> <tr> <td>MODEL NO.</td> <td>REV</td> <td>REV NO.</td> <td></td> </tr> <tr> <td></td> <td>D</td> <td>101702</td> <td>D</td> </tr> </table> | | | | | MODEL NO. | REV | REV NO. | | | D | 101702 | D |
| MODEL NO. | REV | REV NO. | | | | | | | | | | |
| | D | 101702 | D | | | | | | | | | |
| <table border="1"> <tr> <td>SCALE</td> <td>DO NOT SCALE DRAWING</td> <td>SHEET</td> </tr> <tr> <td></td> <td></td> <td></td> </tr> </table> | | | | | SCALE | DO NOT SCALE DRAWING | SHEET | | | | | |
| SCALE | DO NOT SCALE DRAWING | SHEET | | | | | | | | | | |
| | | | | | | | | | | | | |

SEE REVISIONS

No. 11, 12, 13, 14 designate I/O unit to
be activated

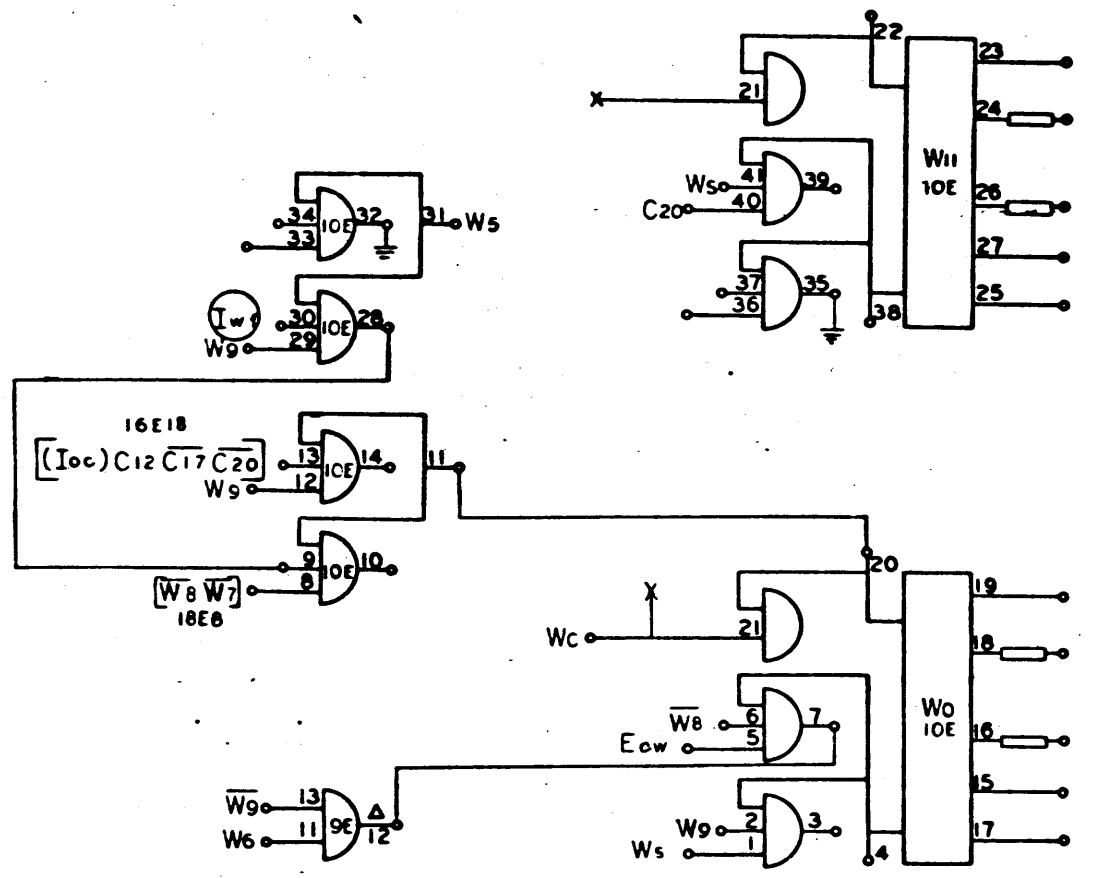


See Book

DIAGRAM, LOGIC,
COMPUTER DWG. NO. 101702

43

| REVISIONS | | | | 101702 | F |
|-----------|--------------|-----|------|----------|---|
| REV | DESCRIPTION | CHK | DATE | APPROVED | |
| A | REL TO MFG | | | | |
| F | SEE REV E.O. | | | | |



44

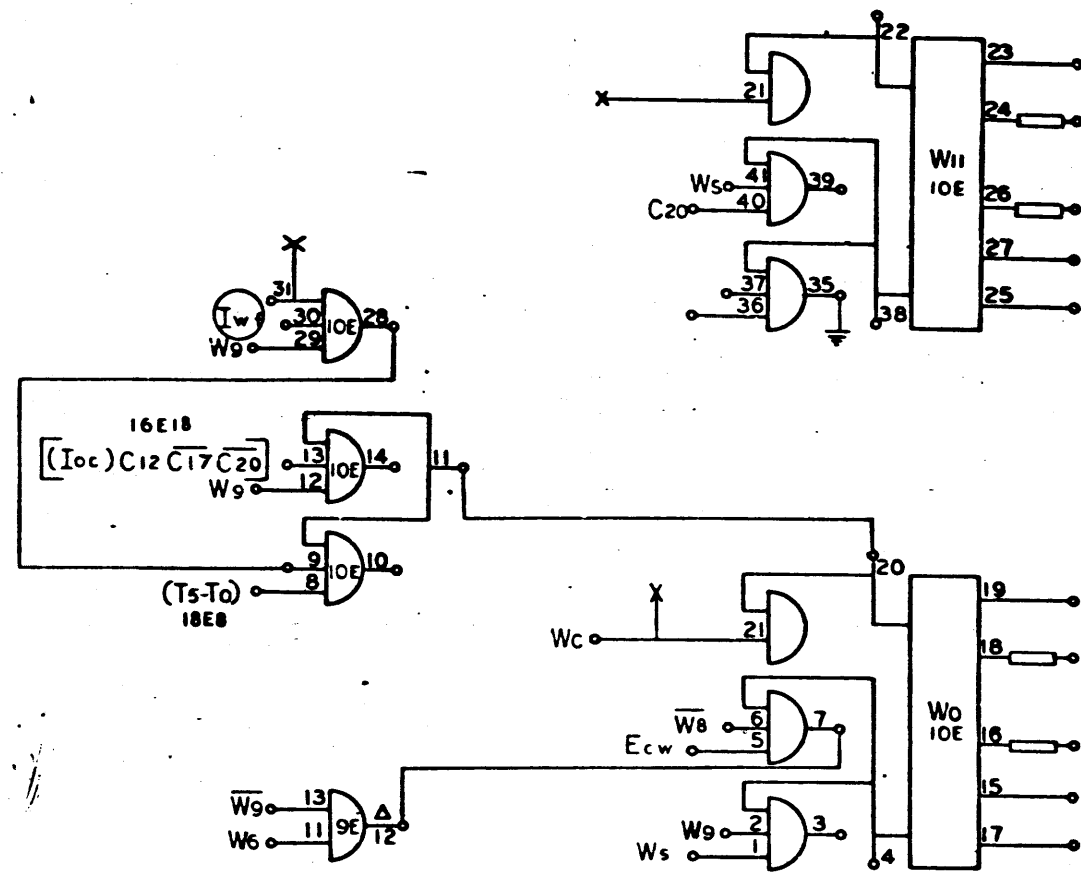
910
Page 31
F

101702 F

| NO. REV. | DRAWING NO. | DESCRIPTION | REFERENCE DESIGNATION | ITEM NO. |
|--|-------------|--------------------------|-----------------------|--|
| MATERIAL LIST | | | | |
| NOTES UNLESS SPECIFIED: | | DRAWN: <i>LH</i> | DATE: <i>9-2-68</i> | SDS SCIENTIFIC DATA SYSTEMS <small>1042 EIGHTH STREET, SANTA MONICA, CALIFORNIA</small> DIAGRAM, LOGIC, COMPUTER |
| 1. TOLERANCES UNLESS SPECIFIED: | | CHECK: <i>LH</i> | DATE: <i>10-1-68</i> | |
| 2. SEE ALL DIMENSIONS AND SPECIFICATIONS ON DRAWING. | | APPR: <i>[Signature]</i> | DATE: <i>10/1/68</i> | |
| 3. CHECK DIMENSIONS ON DRAWING. | | | | |
| 4. ALL DIM. IN INCHES. | | | | |
| MODEL NO. | | | | REV. NO. D |
| SHEET NO. | | 11 | | 101702 |
| | | SCALE | | DO NOT SCALE DRAWING SHEET |

SEE PREVIOUS PAGE

| REVISIONS | | | | 01702 | H |
|-----------|--------------|-----|---------|----------|-----|
| REV | DESCRIPTION | CHK | DATE | APPROVED | |
| A | REL TO MFG | LH | 9-20-66 | | |
| F | SEF REV E.O. | LH | 10-1-67 | | |
| M | SEE REV E.O. | SPZ | 10/1/68 | | WLB |



45

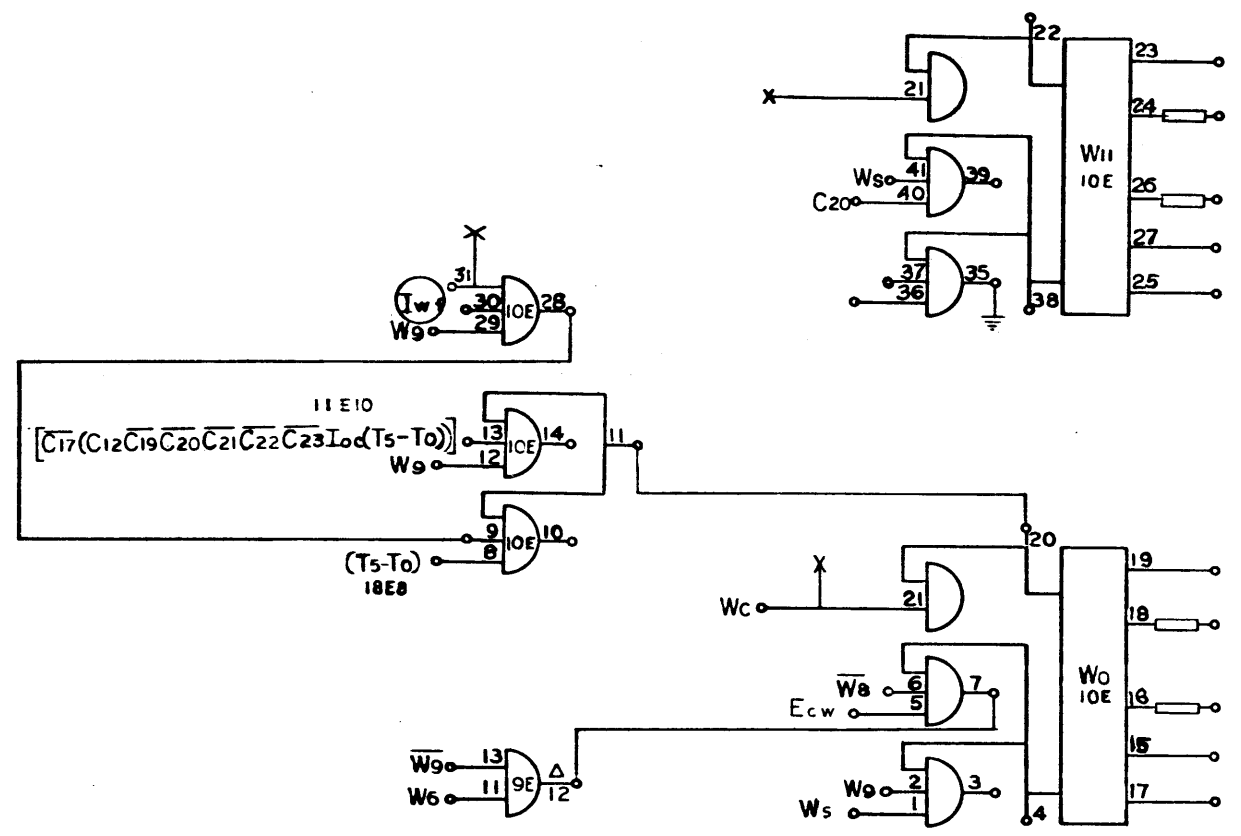
101702 H

910
Page 31
H

| NO. REC | DRAWING NO. | DESCRIPTION | REFERENCE DESIGNATION | ITEM NO. |
|--|-------------|-------------------|----------------------------|---|
| MATERIAL LIST | | | | |
| NOTES UNLESS SPECIFIED | | DRAWN: LH | 9-20-66 | SDS SCIENTIFIC DATA SYSTEMS 1545 FIFTH AVENUE, SUITE 2000, DENVER, COLORADO |
| 1. TOLERANCES UNLESS SPECIFIED ARE AS SHOWN ON DRAWING | | CHECK: LH | 10-1-67 | |
| 2. DIMENSIONS ARE AS SHOWN UNLESS OTHERWISE SPECIFIED | | APPR: [Signature] | 10/1/68 | DIAGRAM, LOGIC, COMPUTER |
| 3. HOLE DIMENSIONS ARE AS SHOWN UNLESS OTHERWISE SPECIFIED | | | | |
| 4. ALL DIMENSIONS ARE IN INCHES | | | | |
| MODEL NO. | | REV. NO. | D | 101702 |
| NEXT ASST. | | | | H |
| SCALE | | | DO NOT SCALE DRAWING SHEET | |

SEE PAGE 31 A

| REVISIONS | | | | |
|-----------|---------------|------|------|----------|
| REV. | DESCRIPTION | CHK. | DATE | APPROVED |
| A | REL TO MFG | | | |
| F | SEE REV. E.O. | | | |
| H | SEE REV. E.O. | | | |
| K | SEE REV. E.O. | | | |



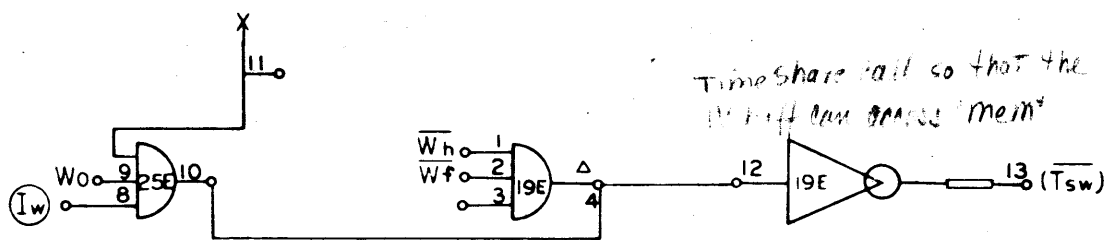
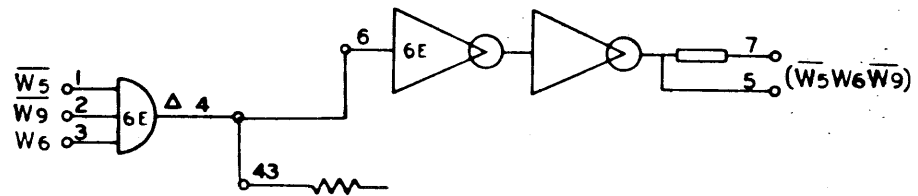
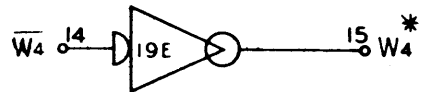
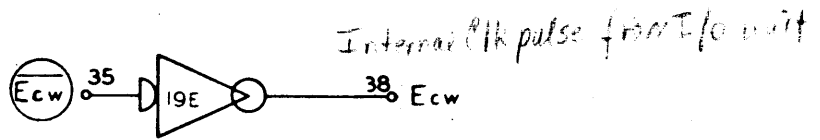
46

910
Page 31
K

101702 K

| NO. REV. | DRAWING NO. | DESCRIPTION | REFERENCE DESIGNATION | ITEM NO. |
|---|-------------|-------------|-----------------------|--|
| MATERIAL LIST | | | | |
| NOTED UNLESS SPECIFIED | | DRAWN | 9-20-62 | <small>1445 FIFTEENTH STREET, SANTA MONICA, CALIFORNIA</small> |
| 1. UNLESS OTHERWISE SPECIFIED ALL DIMENSIONS ARE IN INCHES UNLESS OTHERWISE SPECIFIED | | CHECK | 10-1-62 | |
| 2. UNLESS OTHERWISE SPECIFIED ALL DIMENSIONS ARE IN INCHES | | APPR. | 10/1/62 | TITLE |
| 3. UNLESS OTHERWISE SPECIFIED ALL DIMENSIONS ARE IN INCHES | | | | DIAGRAM, LOGIC, COMPUTER |
| MODEL NO. | | REV. | DWG. NO. | |
| | | | D | 101702 |
| NEXT ASSY. | | SCALE | DO NOT SCALE DRAWING | SHEET |

SEE PAGE 31A

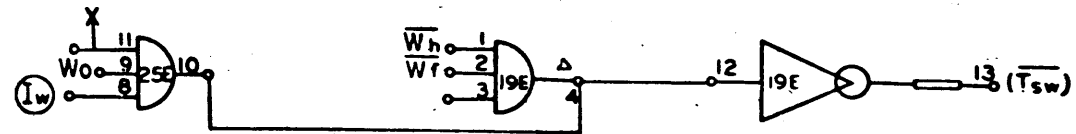
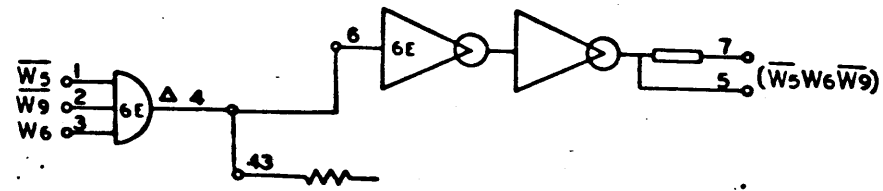
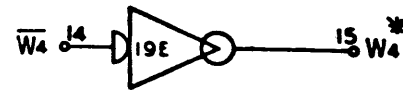
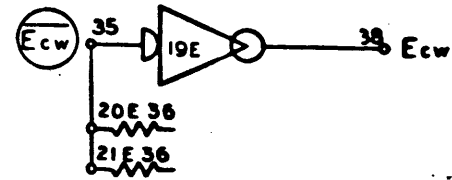


DIAGRAM, LOGIC,
COMPUTER DWG. NO. 101702

47

SEE PG 32 F

| REVISIONS | | | | 101702 | D |
|-----------|--------------|-----|----------|--------|---|
| REV | DESCRIPTION | CHK | DATE | APPROV | |
| A | REL TO MFG | LH | 11/14/62 | | |
| D | SEE REV E.O. | LH | 1/13/67 | | |



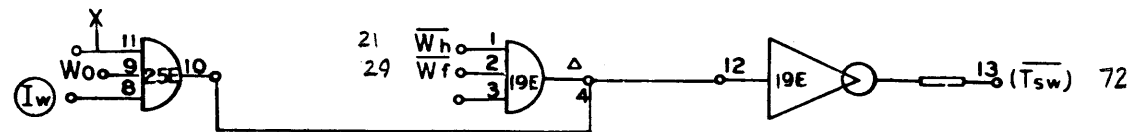
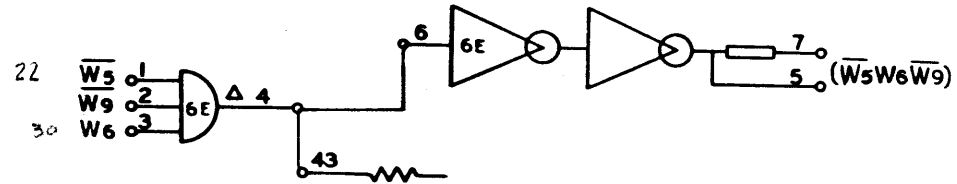
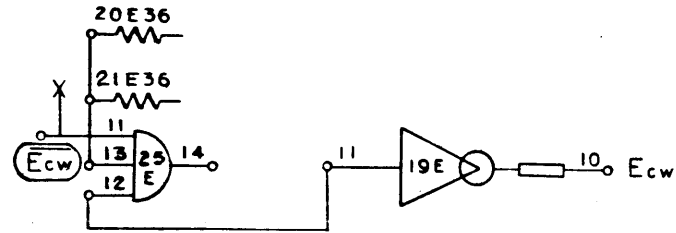
48

910
Page 32
D

| NO. REV. | DRAWING NO. | DESCRIPTION | REFERENCE DESIGNATION | FORM NO. |
|---------------------------------------|-------------|---------------|-----------------------|---|
| NOTES UNLESS SPECIFIED | | MATERIAL LIST | | |
| 1. TOLERANCES UNLESS SPECIFIED | DRAWN | LH | 0-10-62 | SDS DESIGNING DATA SYSTEMS 1645 FOURTEENTH STREET, SANTA MONICA, CALIFORNIA |
| 2. DIMENSIONS UNLESS SPECIFIED | CHECK | JH | 11-1-64 | |
| 3. BREAK ALL SHARP CORNERS AND SPICES | APPR | JW | 11/1/64 | |
| 4. HOLE DIMENSIONS UNLESS SPECIFIED | | | | |
| MODEL NO. | | SIZE | | FORM NO. |
| NEXT ASBY. | | D | | 101702 |
| | | SCALE | | DO NOT SCALE DRAWING SHEET |

SEE NEXT PAGE

| REVISIONS | | | |
|-----------|--------------|-----|------|
| REV | DESCRIPTION | CHK | DATE |
| A | REL TO MFG | | |
| D | SEE REV E.O. | | |
| F | SEE REV E.O. | | |



910
Page 32
F

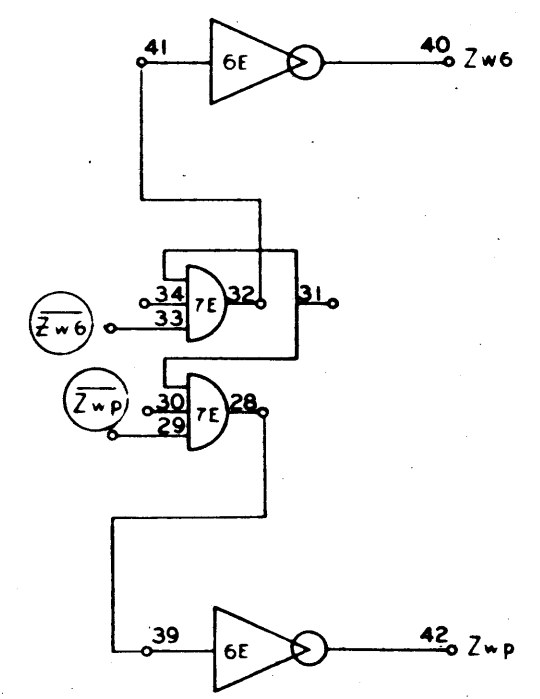
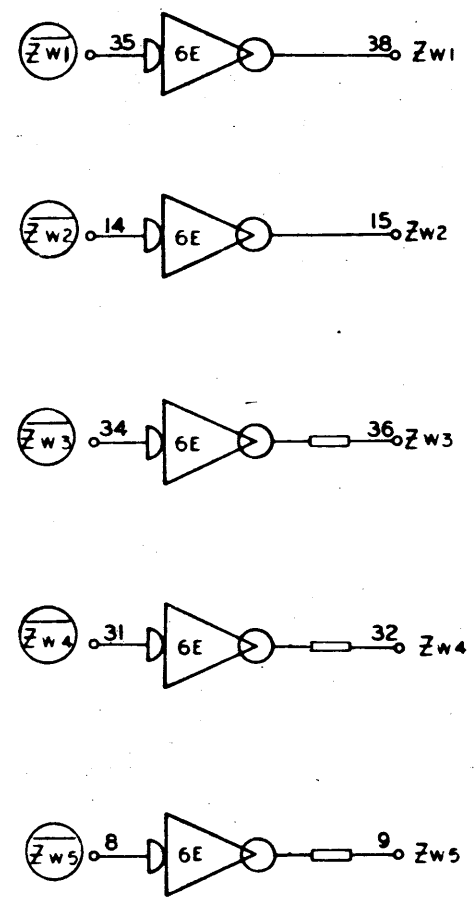
49

101702 F

| NO. REV. | DRAWING NO. | DESCRIPTION | REFERENCE DESIGNATION | IT'S NO. |
|------------------------------------|-------------|-------------|-----------------------|--|
| NOTES UNLESS SPECIFIED | | | | |
| 1. TOLERANCES UNLESS SPECIFIED | | DRAWN | 9-20-66 | SCIENTIFIC DATA SYSTEMS 1542 FIFTEENTH STREET, SANTA MONICA, CALIFORNIA |
| 2. DIMENSIONS UNLESS SPECIFIED | | CHECKED | 11-1-64 | |
| 3. SURFACE FINISH UNLESS SPECIFIED | | APPROVED | | |
| 4. ALL DIMENSIONS IN INCHES | | | | TITLE |
| | | | | DIAGRAM, LOGIC, COMPUTER |
| MODEL NO. | | REV. | D | 101702 |
| NEXT REV. | | SCALE | DO NOT SCALE DRAWING | SHEET |

7 inputs char buffer

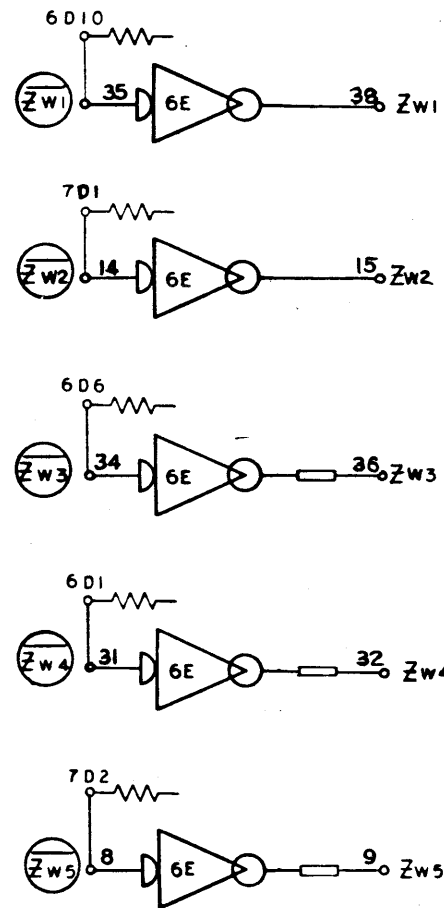
50



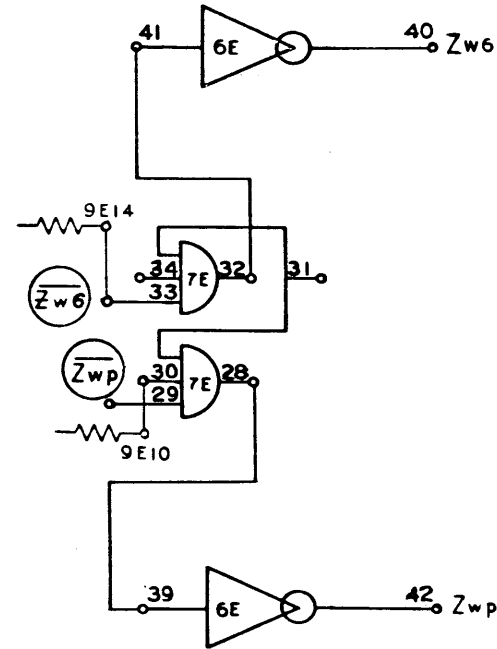
DIAGRAM, LOGIC,
COMPUTER DWG. NO. 101702

SEE NEXT PAGE

| REVISIONS | | | C1702 | |
|-----------|--------------|-----|---------|----------|
| REV | DESCRIPTION | CHK | DATE | APPROVED |
| A | REL TO MFG | | 10-1-64 | |
| F | SEE REV E.O. | | 10-1-64 | |



Input to the PHAS BUFFER
($R_o \rightarrow R_o \& R_p$)



910
Page 33
F

(51)

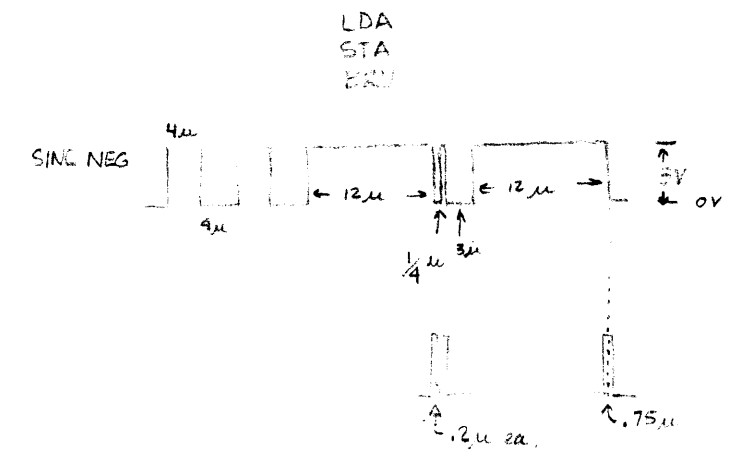
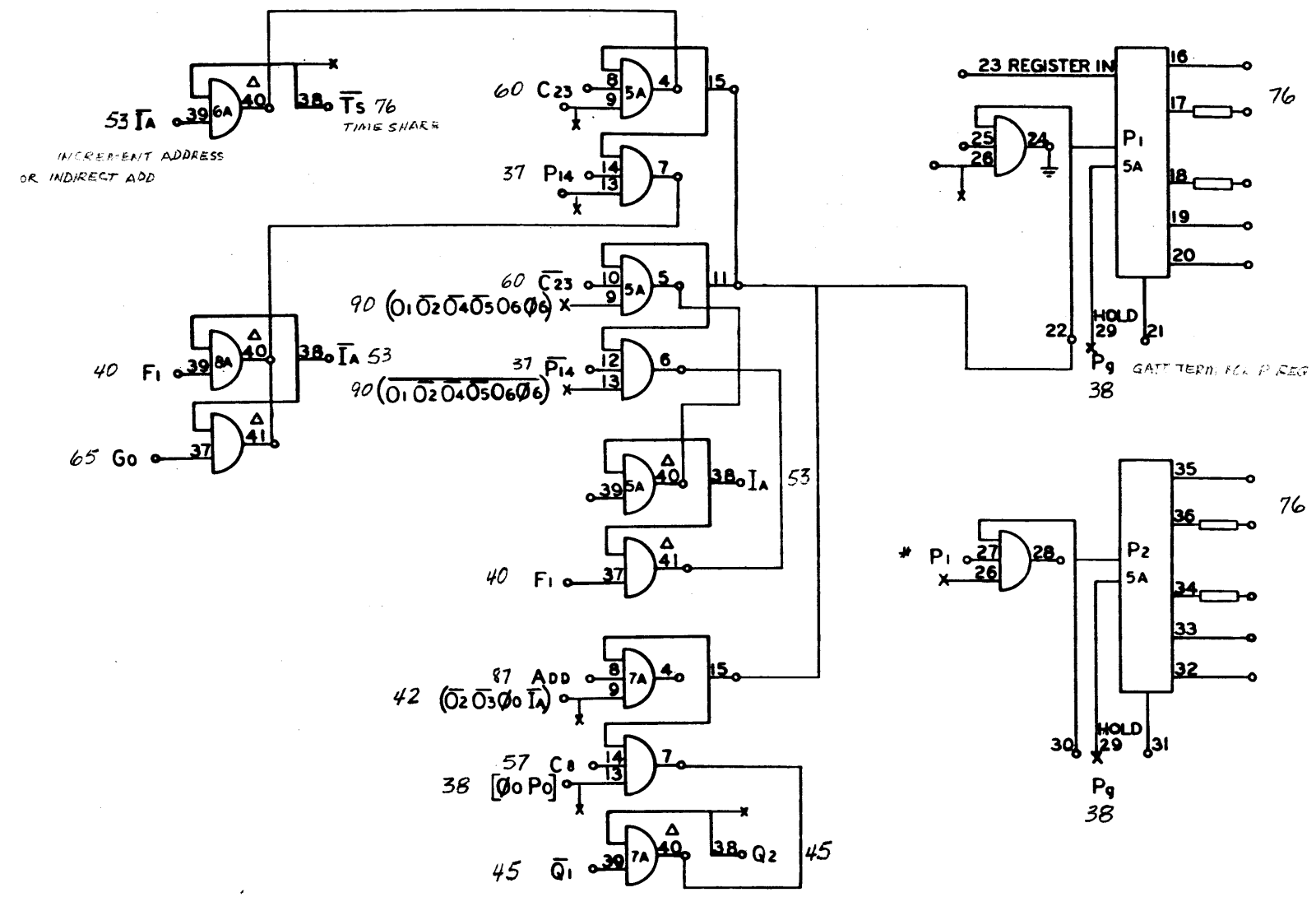
101702 F

| NO. REV. | DRAWING NO. | DESCRIPTION | REFERENCE DESIGNATION | ITER. NO. |
|--|-------------|-----------------------------------|--|-----------|
| MATERIAL LIST | | | | |
| NOTES UNLESS SPECIFIED | | DRAWN: LH 5-20-62 | SD3 SCIENTIFIC DATA SYSTEMS 1545 FIFTEENTH STREET SANTA MONICA, CALIFORNIA | |
| 1. TOLERANCES UNLESS SPECIFIED | | CHECK: LH 10-1-64 | | |
| 2. BREAK ALL SHARP CORNERS AND APPROX. | | APPR: J. C. M. 10-1-64 | | |
| 3. HATCH SHOWN | | TITLE DIAGRAM, LOGIC, COMPUTER | | |
| 4. ALL DIM. IN INCHES | | | | |
| MODEL NO. | | SIZE | DWG. NO. | |
| NEXT ASSY. | | D | 101702 | F |
| | | SCALE | DO NOT SCALE DRAWING | SHEET |

33

ZW1,2,3,4,5,6, ZWP

| REVISIONS | | | | 101702 | A |
|-----------|-------------|-----|----------|----------|----|
| REV. | DESCRIPTION | CHK | DATE | APPROVED | |
| A | REL TO MFG | AK | 10-11-62 | CL | JA |



52

910
Page 34
A

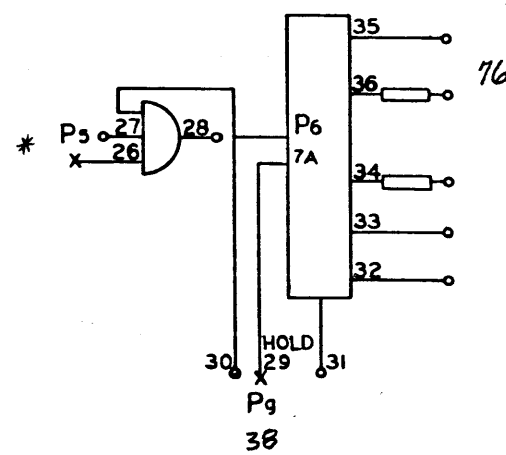
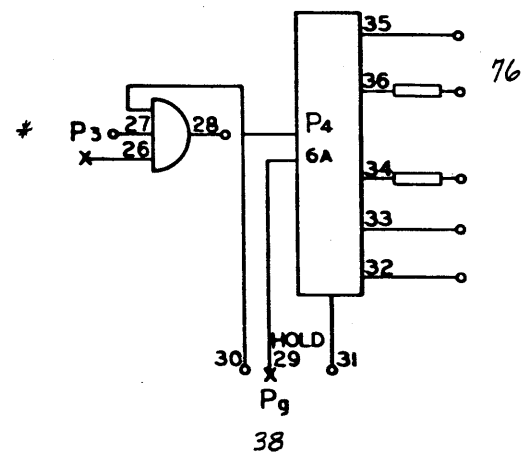
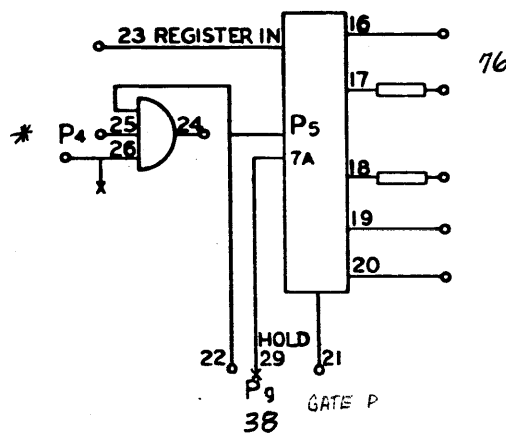
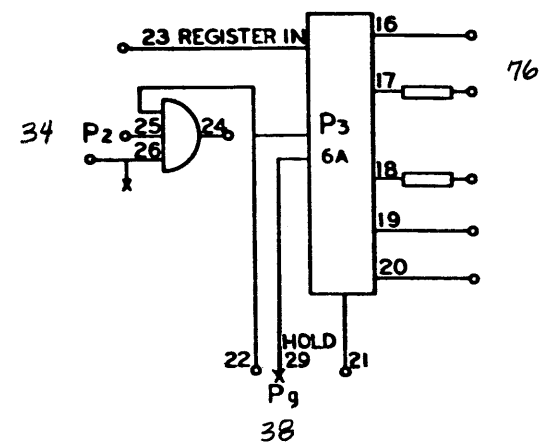
101702 A

| DES. NO. | DRAWING NO. | DESCRIPTION | REFERENCE DESIGNATION | REV. NO. |
|---|-------------|-------------|-----------------------------|----------|
| | | | | |
| MATERIAL LIST | | | | |
| NOTES UNLESS SPECIFIED: | | | | |
| 1. DIMENSIONS | DRAWN | CHK | DATE | |
| 2. 2.000 ANGULAR | AKH | AKH | 9-20-62 | |
| 3. 2.000 2.74 | | | 10-1-62 | |
| 4. DIMS ALL SHARP EDGES | APPR | | 10/1/62 | |
| 5. DIMS ALL SHARP EDGES | | | | |
| 6. DIMS ALL SHARP EDGES | | | | |
| 7. DIMS ALL SHARP EDGES | | | | |
| 8. DIMS ALL SHARP EDGES | | | | |
| 9. DIMS ALL SHARP EDGES | | | | |
| 10. DIMS ALL SHARP EDGES | | | | |
| SDS DIGITIZING DATA SYSTEMS 1940 PUTNAM STREET, SANTA MONICA, CALIFORNIA | | | TITLE | |
| | | | DIAGRAM, LOGIC, COMPUTER | |
| MODEL NO. | | REV. NO. | 101702 | A |
| REV. AMBY. | | SCALE | NO REV SCALE DRAWING | SHEET |

PROGRAM COUNTER
BITS 1, 2

34

| REVISIONS | | | | |
|-----------|-------------|------|---------|-------------|
| REV. | DESCRIPTION | CHK. | DATE | APPROVED |
| A | REL TO MFG | JH | 10-1-61 | [Signature] |



910
Page 35
A

* THIS PAGE

P 3,4,5,6

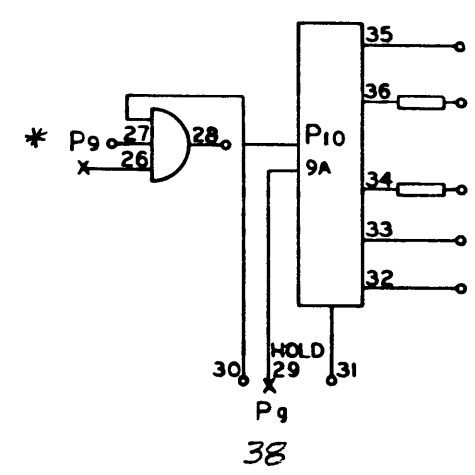
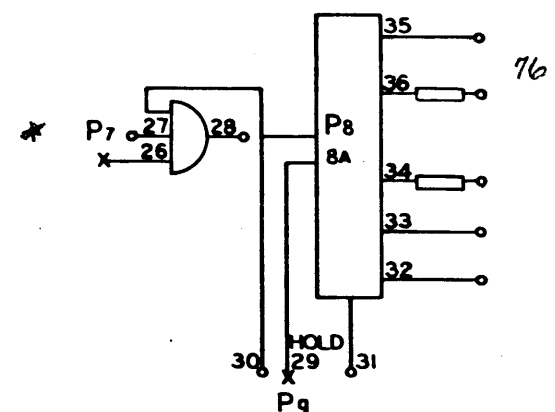
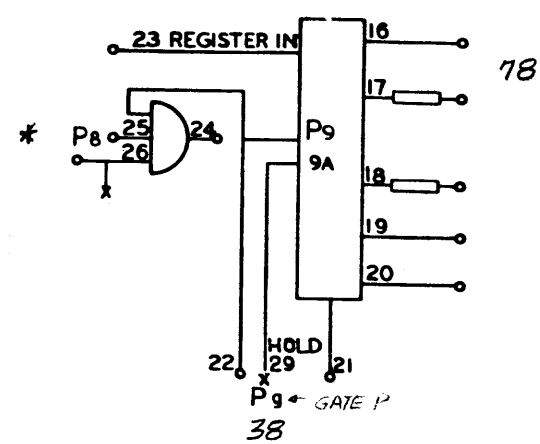
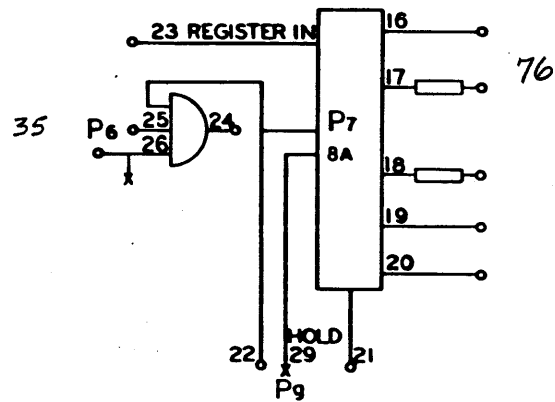
35

53

101702 A

| NO. REQ. | DRAWING NO. | DESCRIPTION | REFERENCE DESIGNATION | ITEM NO. |
|---------------------------------------|-------------|-------------|-----------------------|--|
| MATERIAL LIST | | | | |
| NOTES UNLESS SPECIFIED | | DRAWN | 9-20-62 | SDS SCIENTIFIC DATA SYSTEMS 1545 FIFTEENTH STREET SANTA MONICA, CALIFORNIA TITLE DIAGRAM, LOGIC, COMPUTER |
| 1. TOLERANCES UNLESS SPECIFIED | | CHECK | 12-1-61 | |
| 2. BREAK ALL CHAMFER EDGES AND SPICES | | APPL. | 11/1/62 | |
| 3. HATCH SURFACES | | | | |
| 4. ALL DIM. IN INCHES | | | | |
| MODEL NO. | | REV. | DATE | ITEM NO. |
| | | D | 101702 | A |
| NEXT ASSY. | | SCALE | DO NOT SCALE DRAWING | SHEET |

| REVISIONS | | | | 101702 | A |
|-----------|-------------|------|---------|----------------|---|
| REV. | DESCRIPTION | CHK. | DATE | APPROVED | |
| A | REL TO MFG | JH | 10-1-64 | J. C. Williams | |



54

910
Page 36
A

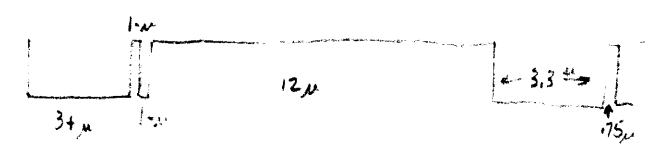
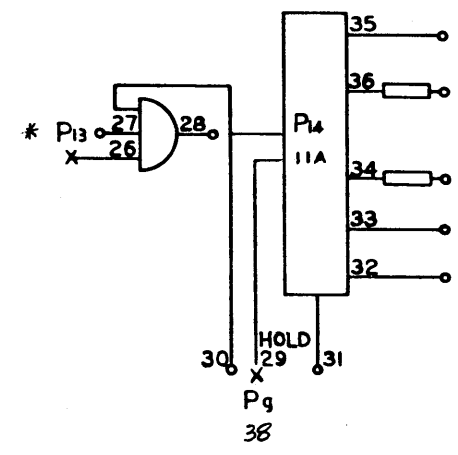
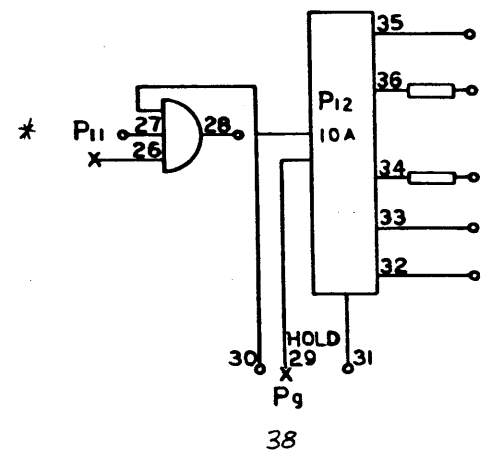
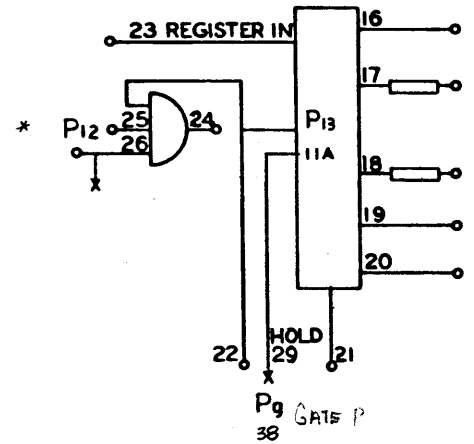
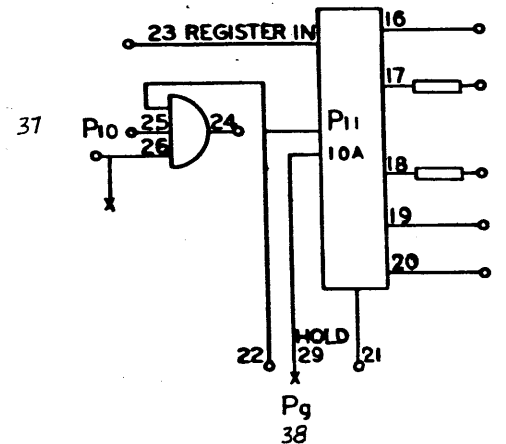
101702 A

| NO. REV. | DRAWING NO. | DESCRIPTION | REFERENCE DESIGNATION | ITEM NO. |
|--------------------------------------|-------------|----------------------|-----------------------|---|
| NOTES UNLESS SPECIFIED | | | | |
| 1. TOLERANCES UNLESS SPECIFIED | | DRAWN | DATE | SDS SCIENTIFIC DATA SYSTEMS 1542 FIFTEENTH STREET, SANTA MONICA, CALIFORNIA TITLE DIAGRAM, LOGIC, COMPUTER |
| 2. BREAK ALL SHARP EDGES AND CORNERS | | CHECK | DATE | |
| 3. HATCH SURFACES | | APPR. | DATE | |
| 4. ALL DIM. IN INCHES | | | | |
| MODEL NO. | | SIZE | DWG. NO. | |
| NEXT ASSY. | | D | 101702 | A |
| SCALE | | DO NOT SCALE DRAWING | | SHEET |

P 7 8 9 10

36

| REVISIONS | | | | 01702 | A |
|-----------|-------------|-----|---------|----------|---|
| REV | DESCRIPTION | CHK | DATE | APPROVED | |
| A | REL TO MFG | JH | 12/1/67 | JH-CA | |



910
Page 37
A

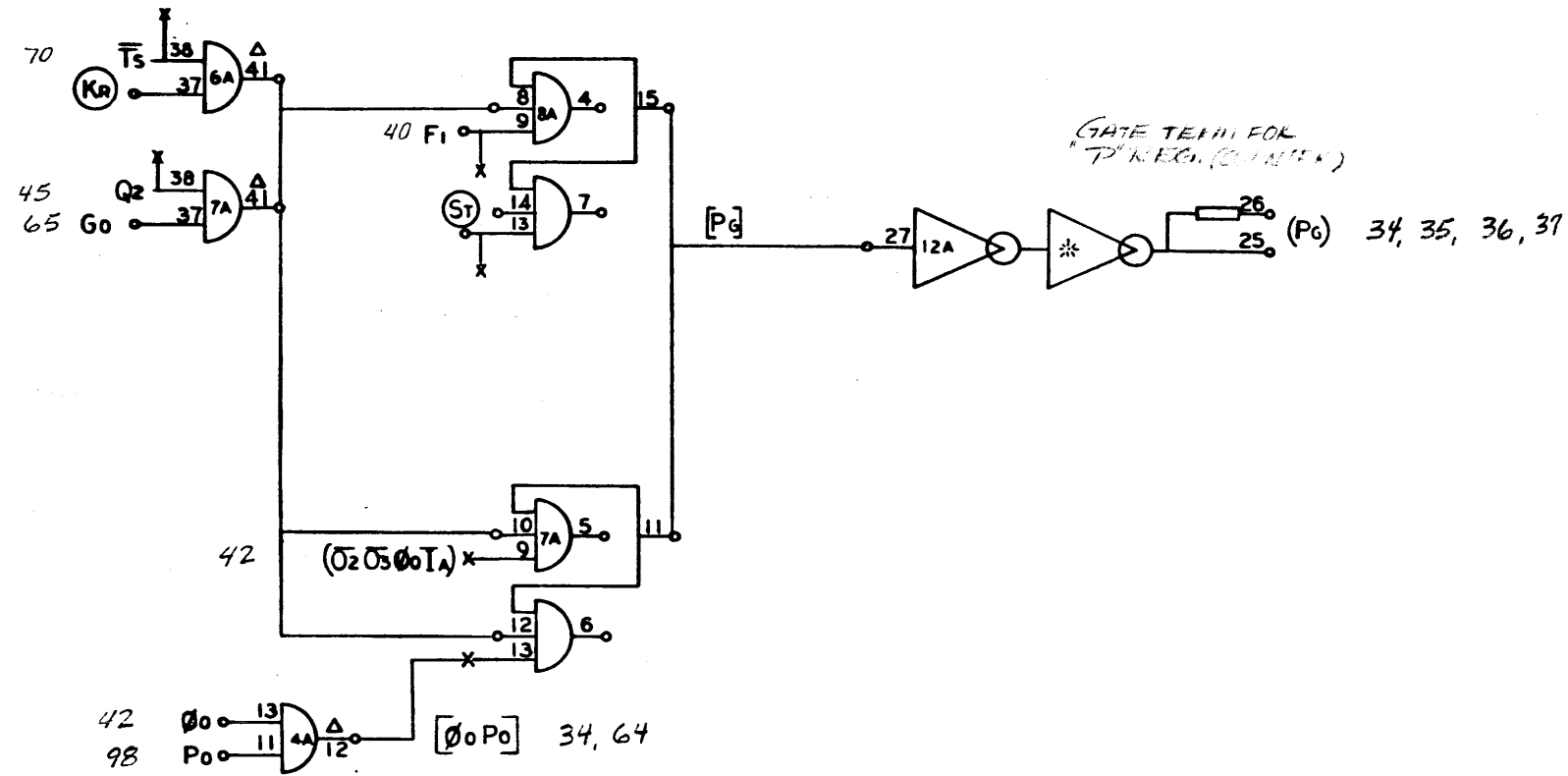
55

101702
A

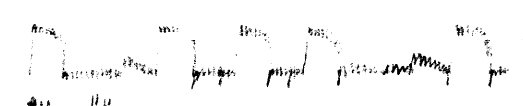
| NO. REV. | DRAWING NO. | DESCRIPTION | REFERENCE DESIGNATION | ITEM NO. |
|--|-------------|-------------|-----------------------|--|
| MATERIAL LIST | | | | |
| NOTES UNLESS SPECIFIED | | DRAWN | DATE | SDS SCIENTIFIC DATA SYSTEMS <small>1242 FIFTEENTH STREET SANTA MONICA CALIFORNIA</small> |
| 1. DIMENSIONS ARE .001" ANGULAR .010" .25" | | CHECK | DATE | |
| 2. CHECK ALL SHARP EDGES AND CORNERS | | APPR. | DATE | |
| 3. HOLE DIMENSIONS | | | | TITLE |
| 4. HOLE DIMENSIONS | | | | DIAGRAM, LOGIC COMPUTER |
| 5. HOLE DIMENSIONS | | | | MODEL NO. |
| NEXT ASSY. | | | | SIZE |
| | | | | D 101702 |
| | | | | A |
| | | | | SCALE |
| | | | | DO NOT SCALE DRAWING |
| | | | | SHEET |

| REV. | | DESCRIPTION | | CHK | DATE | APPROVED |
|------|--|-------------|--|-----|------|----------|
| A | | REL TO MFG | | | | |

101702 A



LDA
STA
BRU



56

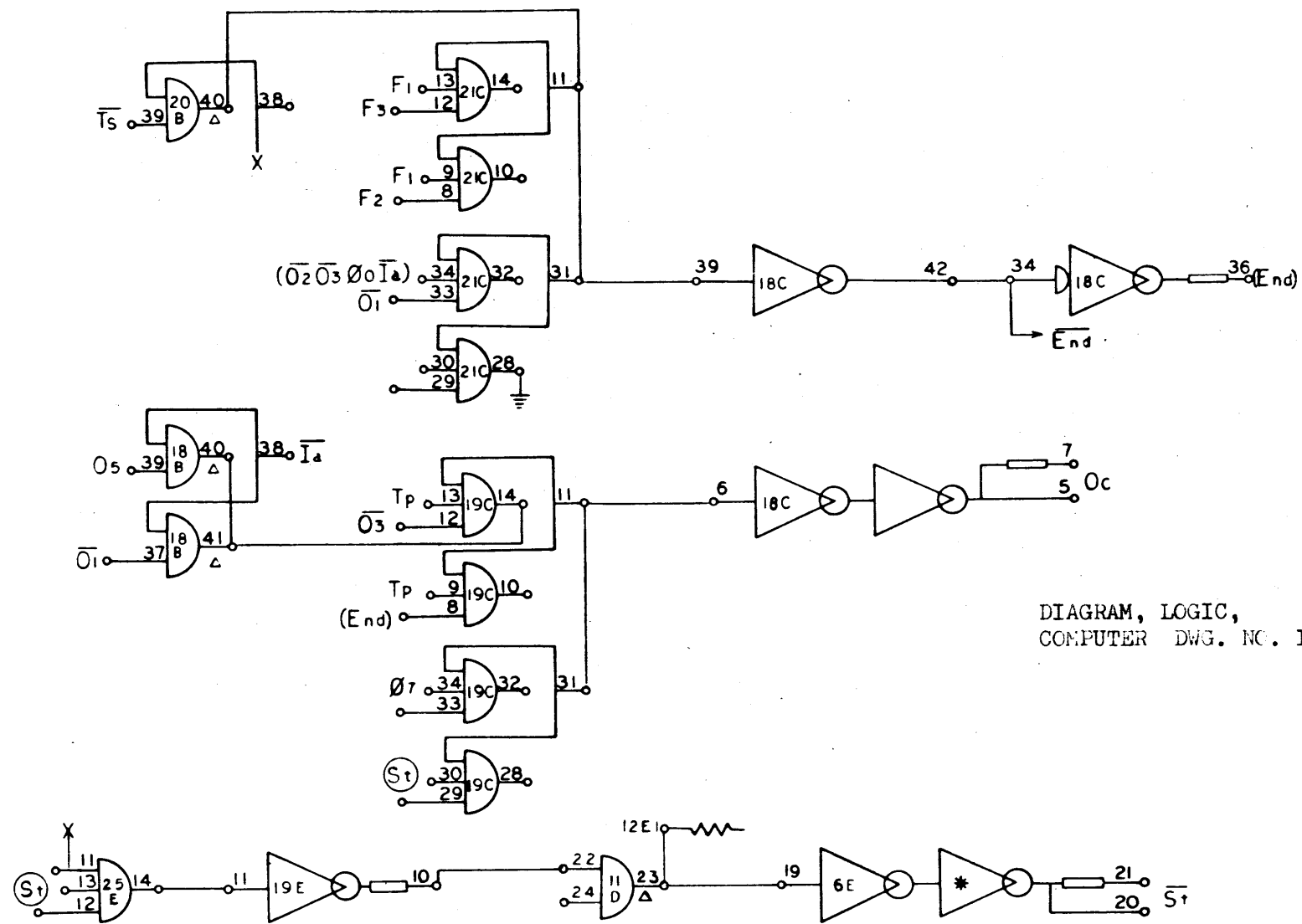
910
Page 38
A

101702 | A

| NO. DES. | DRAWING NO. | DESCRIPTION | REFERENCE DESIGNATION | ITEM NO. |
|---------------------------------------|-------------|--|-----------------------|----------|
| MATERIAL LIST | | | | |
| NOTES UNLESS SPECIFIED | | DRAWN <i>LDH</i> | DATE <i>10-20-62</i> | |
| 1. TOLERANCES UNLESS SPECIFIED | | CHECKED <i>LDH</i> | DATE <i>10-21-62</i> | |
| 2. DIMENSIONS UNLESS SPECIFIED | | APPROVED <i>LDH</i> | DATE <i>10/21/62</i> | |
| 3. SURFACE FINISH UNLESS SPECIFIED | | TITLE | | |
| 4. DIMENSIONS UNLESS SPECIFIED | | SDS SCIENTIFIC DATA SYSTEMS 1045 FIFTEENTH STREET, SANTA MONICA, CALIFORNIA | | |
| | | DIAGRAM, LOGIC, COMPUTER | | |
| MODEL NO. | | REV. | REV. NO. | |
| | | D | 101702 | A |
| NEXT ASSY. | | SCALE | DO NOT SCALE DRAWING | SHIP'S |

Pg

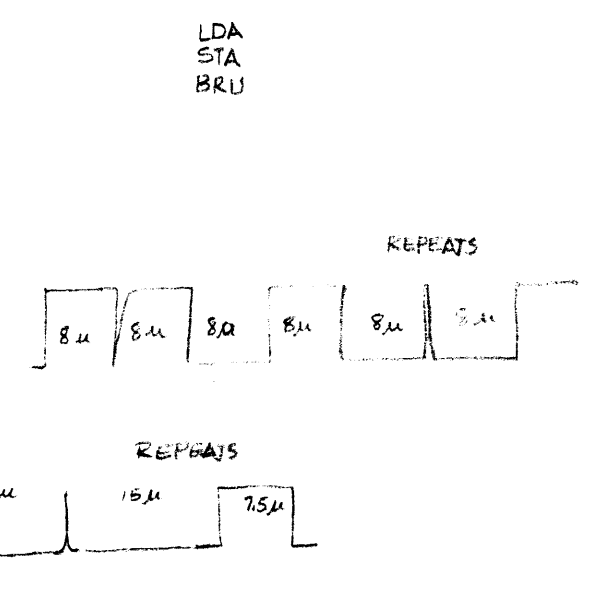
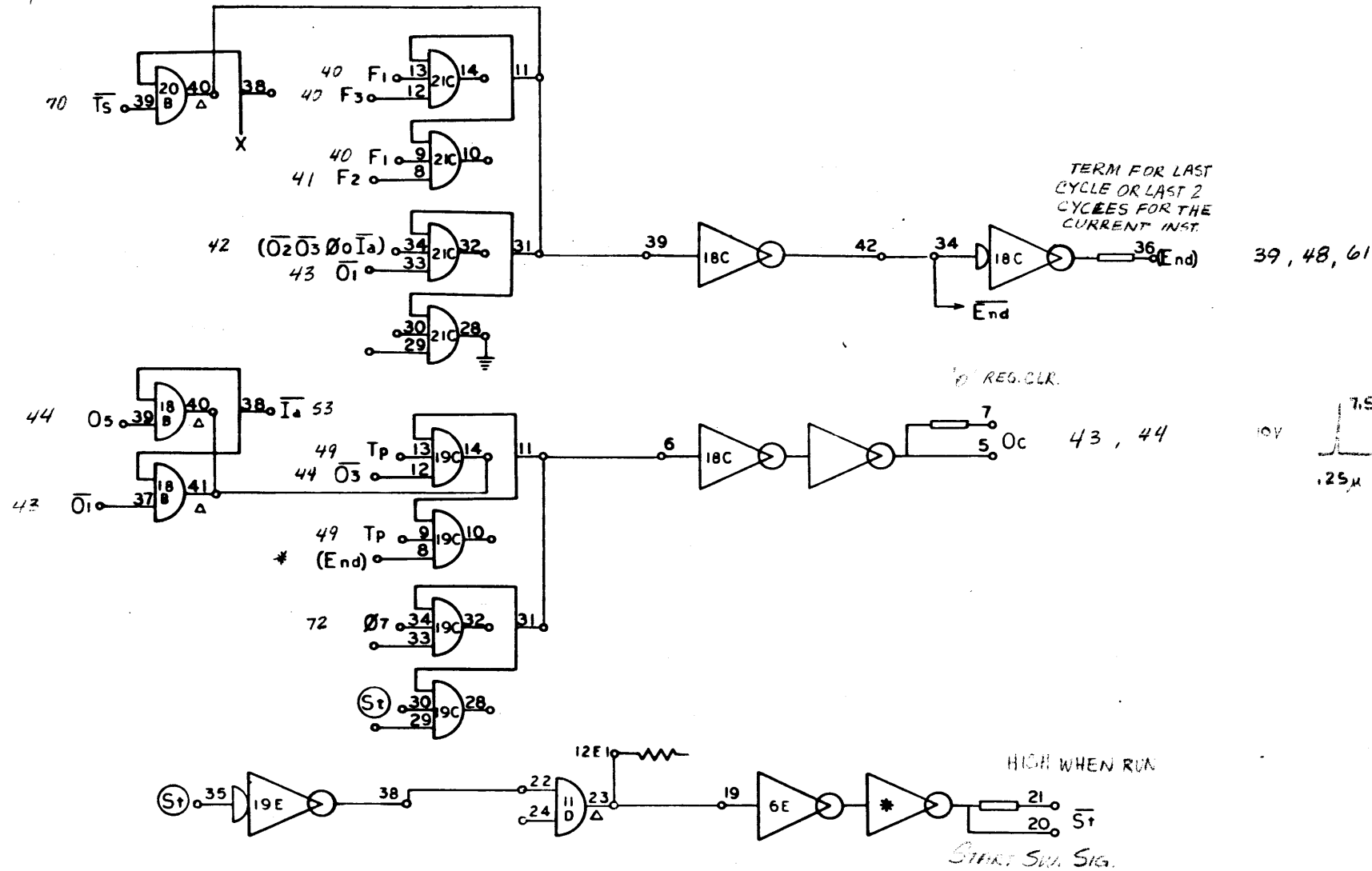
38



DIAGRAM, LOGIC,
COMPUTER DWG. NO. 101702

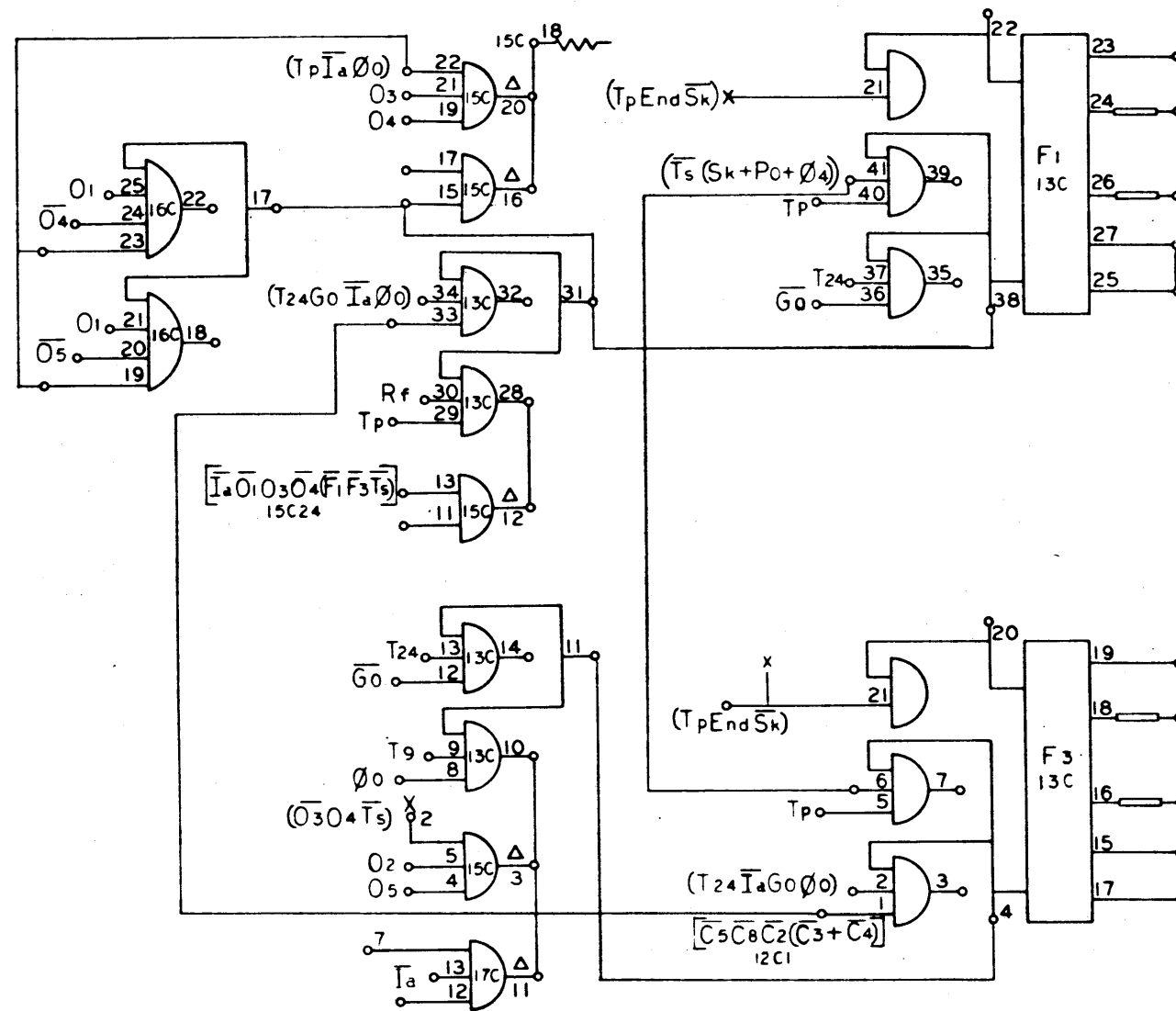
57

| REVISIONS | | | | 101702 F | |
|-----------|--------------|-----------|------|----------|--|
| REV | DESCRIPTION | CHK | DATE | APPROVED | |
| A | REL TO MFG | <i>JH</i> | | | |
| F | SEE REV E.O. | <i>JH</i> | | | |



58

| NO. | DRAWING NO. | DESCRIPTION | REFERENCE DESIGNATION | REV. |
|----------------------------------|-------------|-----------------|-----------------------|------|
| MATERIAL LIST | | | | |
| NOTES UNLESS SPECIFIED | | DRAWN <i>JH</i> | DATE 12-1-62 | |
| 1. DIMENSIONS UNLESS SPECIFIED | | CHECK <i>JH</i> | DATE 12-1-62 | |
| 2. DIMENSIONS UNLESS SPECIFIED | | APPR. <i>JH</i> | DATE 12-1-62 | |
| 3. DIMENSIONS UNLESS SPECIFIED | | | | |
| 4. DIMENSIONS UNLESS SPECIFIED | | | | |
| 5. DIMENSIONS UNLESS SPECIFIED | | | | |
| 6. DIMENSIONS UNLESS SPECIFIED | | | | |
| 7. DIMENSIONS UNLESS SPECIFIED | | | | |
| 8. DIMENSIONS UNLESS SPECIFIED | | | | |
| 9. DIMENSIONS UNLESS SPECIFIED | | | | |
| 10. DIMENSIONS UNLESS SPECIFIED | | | | |
| 11. DIMENSIONS UNLESS SPECIFIED | | | | |
| 12. DIMENSIONS UNLESS SPECIFIED | | | | |
| 13. DIMENSIONS UNLESS SPECIFIED | | | | |
| 14. DIMENSIONS UNLESS SPECIFIED | | | | |
| 15. DIMENSIONS UNLESS SPECIFIED | | | | |
| 16. DIMENSIONS UNLESS SPECIFIED | | | | |
| 17. DIMENSIONS UNLESS SPECIFIED | | | | |
| 18. DIMENSIONS UNLESS SPECIFIED | | | | |
| 19. DIMENSIONS UNLESS SPECIFIED | | | | |
| 20. DIMENSIONS UNLESS SPECIFIED | | | | |
| 21. DIMENSIONS UNLESS SPECIFIED | | | | |
| 22. DIMENSIONS UNLESS SPECIFIED | | | | |
| 23. DIMENSIONS UNLESS SPECIFIED | | | | |
| 24. DIMENSIONS UNLESS SPECIFIED | | | | |
| 25. DIMENSIONS UNLESS SPECIFIED | | | | |
| 26. DIMENSIONS UNLESS SPECIFIED | | | | |
| 27. DIMENSIONS UNLESS SPECIFIED | | | | |
| 28. DIMENSIONS UNLESS SPECIFIED | | | | |
| 29. DIMENSIONS UNLESS SPECIFIED | | | | |
| 30. DIMENSIONS UNLESS SPECIFIED | | | | |
| 31. DIMENSIONS UNLESS SPECIFIED | | | | |
| 32. DIMENSIONS UNLESS SPECIFIED | | | | |
| 33. DIMENSIONS UNLESS SPECIFIED | | | | |
| 34. DIMENSIONS UNLESS SPECIFIED | | | | |
| 35. DIMENSIONS UNLESS SPECIFIED | | | | |
| 36. DIMENSIONS UNLESS SPECIFIED | | | | |
| 37. DIMENSIONS UNLESS SPECIFIED | | | | |
| 38. DIMENSIONS UNLESS SPECIFIED | | | | |
| 39. DIMENSIONS UNLESS SPECIFIED | | | | |
| 40. DIMENSIONS UNLESS SPECIFIED | | | | |
| 41. DIMENSIONS UNLESS SPECIFIED | | | | |
| 42. DIMENSIONS UNLESS SPECIFIED | | | | |
| 43. DIMENSIONS UNLESS SPECIFIED | | | | |
| 44. DIMENSIONS UNLESS SPECIFIED | | | | |
| 45. DIMENSIONS UNLESS SPECIFIED | | | | |
| 46. DIMENSIONS UNLESS SPECIFIED | | | | |
| 47. DIMENSIONS UNLESS SPECIFIED | | | | |
| 48. DIMENSIONS UNLESS SPECIFIED | | | | |
| 49. DIMENSIONS UNLESS SPECIFIED | | | | |
| 50. DIMENSIONS UNLESS SPECIFIED | | | | |
| 51. DIMENSIONS UNLESS SPECIFIED | | | | |
| 52. DIMENSIONS UNLESS SPECIFIED | | | | |
| 53. DIMENSIONS UNLESS SPECIFIED | | | | |
| 54. DIMENSIONS UNLESS SPECIFIED | | | | |
| 55. DIMENSIONS UNLESS SPECIFIED | | | | |
| 56. DIMENSIONS UNLESS SPECIFIED | | | | |
| 57. DIMENSIONS UNLESS SPECIFIED | | | | |
| 58. DIMENSIONS UNLESS SPECIFIED | | | | |
| 59. DIMENSIONS UNLESS SPECIFIED | | | | |
| 60. DIMENSIONS UNLESS SPECIFIED | | | | |
| 61. DIMENSIONS UNLESS SPECIFIED | | | | |
| 62. DIMENSIONS UNLESS SPECIFIED | | | | |
| 63. DIMENSIONS UNLESS SPECIFIED | | | | |
| 64. DIMENSIONS UNLESS SPECIFIED | | | | |
| 65. DIMENSIONS UNLESS SPECIFIED | | | | |
| 66. DIMENSIONS UNLESS SPECIFIED | | | | |
| 67. DIMENSIONS UNLESS SPECIFIED | | | | |
| 68. DIMENSIONS UNLESS SPECIFIED | | | | |
| 69. DIMENSIONS UNLESS SPECIFIED | | | | |
| 70. DIMENSIONS UNLESS SPECIFIED | | | | |
| 71. DIMENSIONS UNLESS SPECIFIED | | | | |
| 72. DIMENSIONS UNLESS SPECIFIED | | | | |
| 73. DIMENSIONS UNLESS SPECIFIED | | | | |
| 74. DIMENSIONS UNLESS SPECIFIED | | | | |
| 75. DIMENSIONS UNLESS SPECIFIED | | | | |
| 76. DIMENSIONS UNLESS SPECIFIED | | | | |
| 77. DIMENSIONS UNLESS SPECIFIED | | | | |
| 78. DIMENSIONS UNLESS SPECIFIED | | | | |
| 79. DIMENSIONS UNLESS SPECIFIED | | | | |
| 80. DIMENSIONS UNLESS SPECIFIED | | | | |
| 81. DIMENSIONS UNLESS SPECIFIED | | | | |
| 82. DIMENSIONS UNLESS SPECIFIED | | | | |
| 83. DIMENSIONS UNLESS SPECIFIED | | | | |
| 84. DIMENSIONS UNLESS SPECIFIED | | | | |
| 85. DIMENSIONS UNLESS SPECIFIED | | | | |
| 86. DIMENSIONS UNLESS SPECIFIED | | | | |
| 87. DIMENSIONS UNLESS SPECIFIED | | | | |
| 88. DIMENSIONS UNLESS SPECIFIED | | | | |
| 89. DIMENSIONS UNLESS SPECIFIED | | | | |
| 90. DIMENSIONS UNLESS SPECIFIED | | | | |
| 91. DIMENSIONS UNLESS SPECIFIED | | | | |
| 92. DIMENSIONS UNLESS SPECIFIED | | | | |
| 93. DIMENSIONS UNLESS SPECIFIED | | | | |
| 94. DIMENSIONS UNLESS SPECIFIED | | | | |
| 95. DIMENSIONS UNLESS SPECIFIED | | | | |
| 96. DIMENSIONS UNLESS SPECIFIED | | | | |
| 97. DIMENSIONS UNLESS SPECIFIED | | | | |
| 98. DIMENSIONS UNLESS SPECIFIED | | | | |
| 99. DIMENSIONS UNLESS SPECIFIED | | | | |
| 100. DIMENSIONS UNLESS SPECIFIED | | | | |
| 101. DIMENSIONS UNLESS SPECIFIED | | | | |
| 102. DIMENSIONS UNLESS SPECIFIED | | | | |
| 103. DIMENSIONS UNLESS SPECIFIED | | | | |
| 104. DIMENSIONS UNLESS SPECIFIED | | | | |
| 105. DIMENSIONS UNLESS SPECIFIED | | | | |
| 106. DIMENSIONS UNLESS SPECIFIED | | | | |
| 107. DIMENSIONS UNLESS SPECIFIED | | | | |
| 108. DIMENSIONS UNLESS SPECIFIED | | | | |
| 109. DIMENSIONS UNLESS SPECIFIED | | | | |
| 110. DIMENSIONS UNLESS SPECIFIED | | | | |
| 111. DIMENSIONS UNLESS SPECIFIED | | | | |
| 112. DIMENSIONS UNLESS SPECIFIED | | | | |
| 113. DIMENSIONS UNLESS SPECIFIED | | | | |
| 114. DIMENSIONS UNLESS SPECIFIED | | | | |
| 115. DIMENSIONS UNLESS SPECIFIED | | | | |
| 116. DIMENSIONS UNLESS SPECIFIED | | | | |
| 117. DIMENSIONS UNLESS SPECIFIED | | | | |
| 118. DIMENSIONS UNLESS SPECIFIED | | | | |
| 119. DIMENSIONS UNLESS SPECIFIED | | | | |
| 120. DIMENSIONS UNLESS SPECIFIED | | | | |
| 121. DIMENSIONS UNLESS SPECIFIED | | | | |
| 122. DIMENSIONS UNLESS SPECIFIED | | | | |
| 123. DIMENSIONS UNLESS SPECIFIED | | | | |
| 124. DIMENSIONS UNLESS SPECIFIED | | | | |
| 125. DIMENSIONS UNLESS SPECIFIED | | | | |
| 126. DIMENSIONS UNLESS SPECIFIED | | | | |
| 127. DIMENSIONS UNLESS SPECIFIED | | | | |
| 128. DIMENSIONS UNLESS SPECIFIED | | | | |
| 129. DIMENSIONS UNLESS SPECIFIED | | | | |
| 130. DIMENSIONS UNLESS SPECIFIED | | | | |
| 131. DIMENSIONS UNLESS SPECIFIED | | | | |
| 132. DIMENSIONS UNLESS SPECIFIED | | | | |
| 133. DIMENSIONS UNLESS SPECIFIED | | | | |
| 134. DIMENSIONS UNLESS SPECIFIED | | | | |
| 135. DIMENSIONS UNLESS SPECIFIED | | | | |
| 136. DIMENSIONS UNLESS SPECIFIED | | | | |
| 137. DIMENSIONS UNLESS SPECIFIED | | | | |
| 138. DIMENSIONS UNLESS SPECIFIED | | | | |
| 139. DIMENSIONS UNLESS SPECIFIED | | | | |
| 140. DIMENSIONS UNLESS SPECIFIED | | | | |
| 141. DIMENSIONS UNLESS SPECIFIED | | | | |
| 142. DIMENSIONS UNLESS SPECIFIED | | | | |
| 143. DIMENSIONS UNLESS SPECIFIED | | | | |
| 144. DIMENSIONS UNLESS SPECIFIED | | | | |
| 145. DIMENSIONS UNLESS SPECIFIED | | | | |
| 146. DIMENSIONS UNLESS SPECIFIED | | | | |
| 147. DIMENSIONS UNLESS SPECIFIED | | | | |
| 148. DIMENSIONS UNLESS SPECIFIED | | | | |
| 149. DIMENSIONS UNLESS SPECIFIED | | | | |
| 150. DIMENSIONS UNLESS SPECIFIED | | | | |
| 151. DIMENSIONS UNLESS SPECIFIED | | | | |
| 152. DIMENSIONS UNLESS SPECIFIED | | | | |
| 153. DIMENSIONS UNLESS SPECIFIED | | | | |
| 154. DIMENSIONS UNLESS SPECIFIED | | | | |
| 155. DIMENSIONS UNLESS SPECIFIED | | | | |
| 156. DIMENSIONS UNLESS SPECIFIED | | | | |
| 157. DIMENSIONS UNLESS SPECIFIED | | | | |
| 158. DIMENSIONS UNLESS SPECIFIED | | | | |
| 159. DIMENSIONS UNLESS SPECIFIED | | | | |
| 160. DIMENSIONS UNLESS SPECIFIED | | | | |
| 161. DIMENSIONS UNLESS SPECIFIED | | | | |
| 162. DIMENSIONS UNLESS SPECIFIED | | | | |
| 163. DIMENSIONS UNLESS SPECIFIED | | | | |
| 164. DIMENSIONS UNLESS SPECIFIED | | | | |
| 165. DIMENSIONS UNLESS SPECIFIED | | | | |
| 166. DIMENSIONS UNLESS SPECIFIED | | | | |
| 167. DIMENSIONS UNLESS SPECIFIED | | | | |
| 168. DIMENSIONS UNLESS SPECIFIED | | | | |
| 169. DIMENSIONS UNLESS SPECIFIED | | | | |
| 170. DIMENSIONS UNLESS SPECIFIED | | | | |
| 171. DIMENSIONS UNLESS SPECIFIED | | | | |
| 172. DIMENSIONS UNLESS SPECIFIED | | | | |
| 173. DIMENSIONS UNLESS SPECIFIED | | | | |
| 174. DIMENSIONS UNLESS SPECIFIED | | | | |
| 175. DIMENSIONS UNLESS SPECIFIED | | | | |
| 176. DIMENSIONS UNLESS SPECIFIED | | | | |
| 177. DIMENSIONS UNLESS SPECIFIED | | | | |
| 178. DIMENSIONS UNLESS SPECIFIED | | | | |
| 179. DIMENSIONS UNLESS SPECIFIED | | | | |
| 180. DIMENSIONS UNLESS SPECIFIED | | | | |
| 181. DIMENSIONS UNLESS SPECIFIED | | | | |
| 182. DIMENSIONS UNLESS SPECIFIED | | | | |
| 183. DIMENSIONS UNLESS SPECIFIED | | | | |
| 184. DIMENSIONS UNLESS SPECIFIED | | | | |
| 185. DIMENSIONS UNLESS SPECIFIED | | | | |
| 186. DIMENSIONS UNLESS SPECIFIED | | | | |
| 187. DIMENSIONS UNLESS SPECIFIED | | | | |
| 188. DIMENSIONS UNLESS SPECIFIED | | | | |
| 189. DIMENSIONS UNLESS SPECIFIED | | | | |
| 190. DIMENSIONS UNLESS SPECIFIED | | | | |
| 191. DIMENSIONS UNLESS SPECIFIED | | | | |
| 192. DIMENSIONS UNLESS SPECIFIED | | | | |
| 193. DIMENSIONS UNLESS SPECIFIED | | | | |
| 194. DIMENSIONS UNLESS SPECIFIED | | | | |
| 195. DIMENSIONS UNLESS SPECIFIED | | | | |
| 196. DIMENSIONS UNLESS SPECIFIED | | | | |
| 197. DIMENSIONS UNLESS SPECIFIED | | | | |
| 198. DIMENSIONS UNLESS SPECIFIED | | | | |
| 199. DIMENSIONS UNLESS SPECIFIED | | | | |
| 200. DIMENSIONS UNLESS SPECIFIED | | | | |

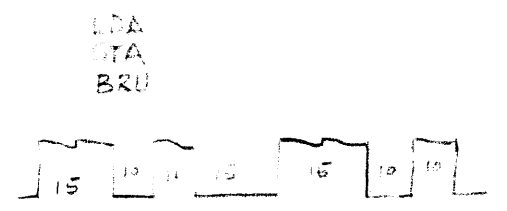
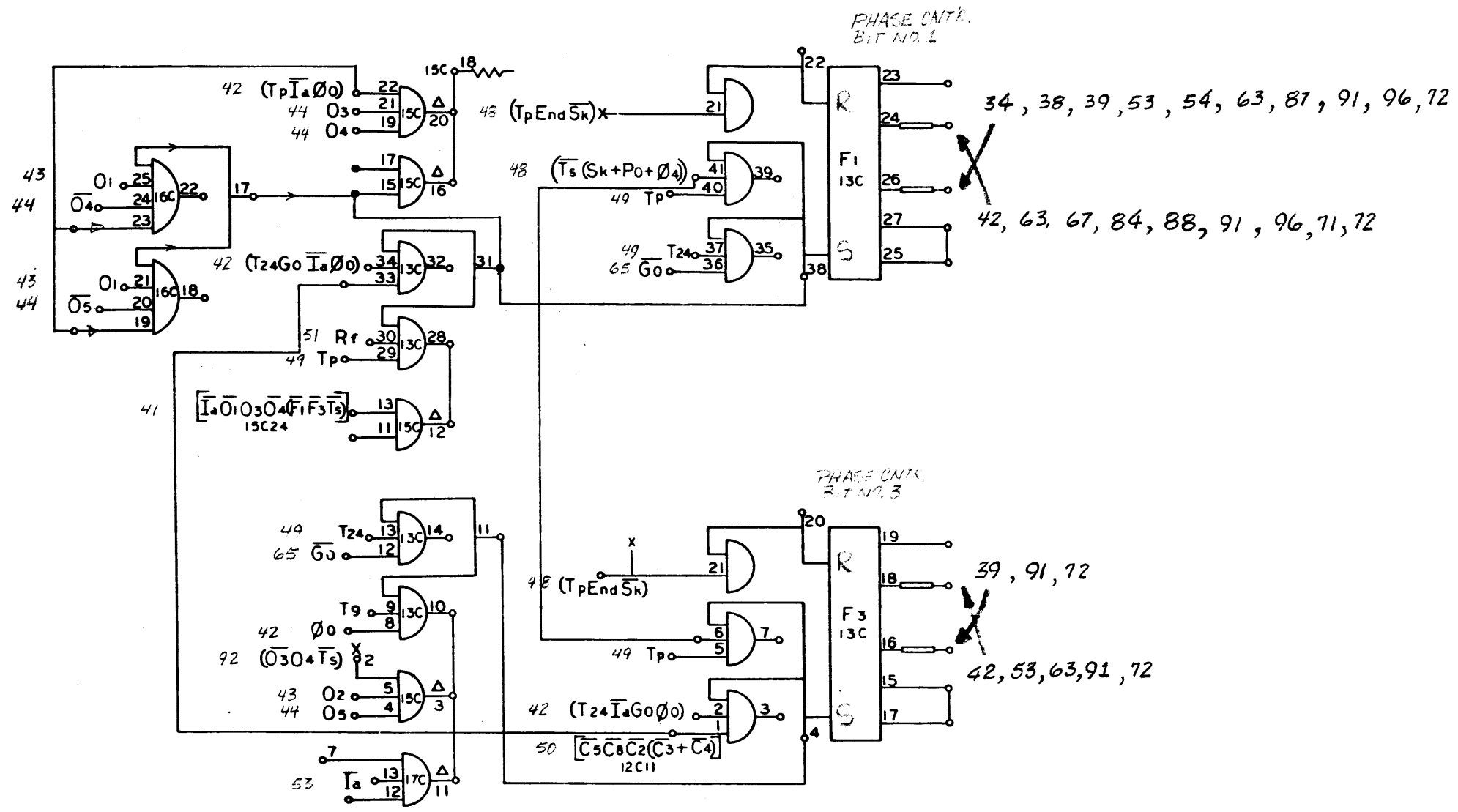


DIAGRAM, LOGIC,
COMPUTER DWG. NO. 101702

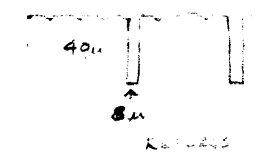
SEE NEXT PAGE

57

| REVISIONS | | | | C1702 | D |
|-----------|--------------|------|------|----------|---|
| REV. | DESCRIPTION | CHK. | DATE | APPROVED | |
| A | REL TO MFG | | | | |
| D | SEE REV E.O. | | | | |



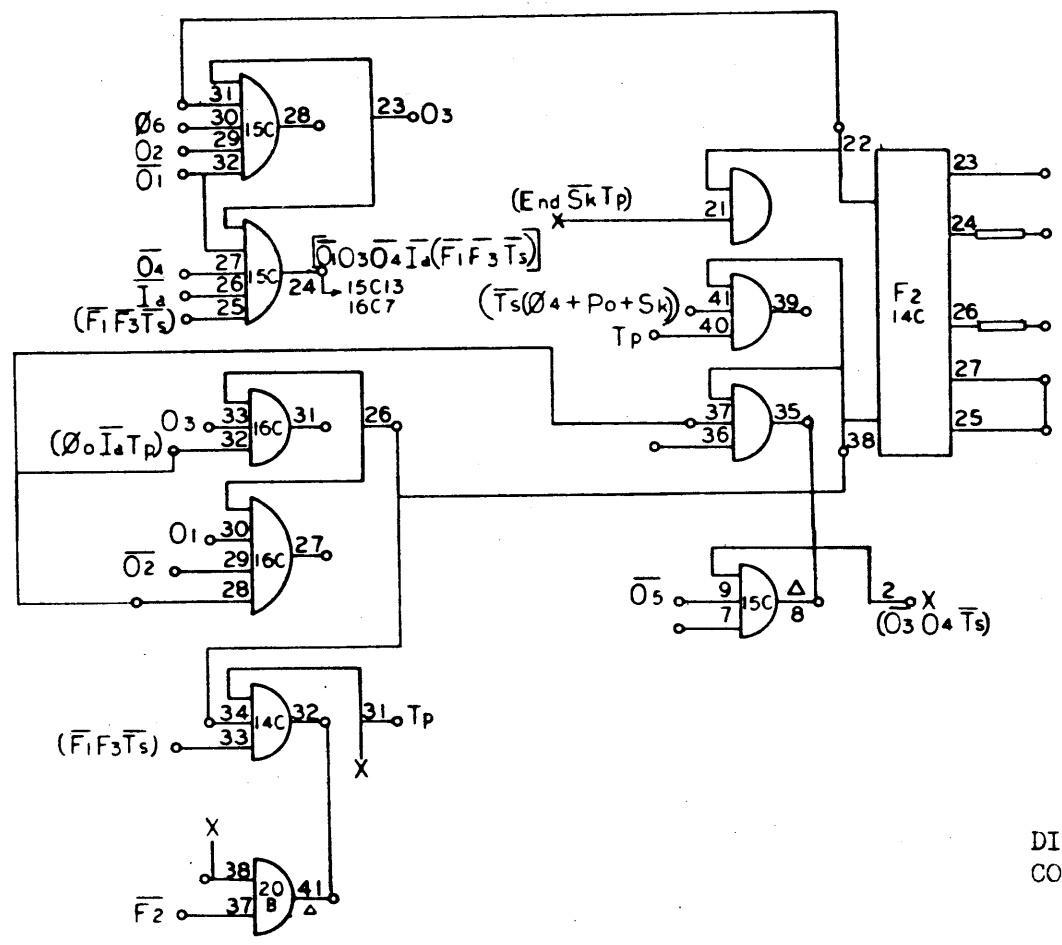
INCLUDE
REPEATS



910
Page 40
D

| NO. REQ. | DRAWING NO. | DESCRIPTION | REFERENCE DESIGNATION | ITEM NO. |
|--|-------------|--|-----------------------|----------|
| MATERIAL LIST | | | | |
| NOTES UNLESS SPECIFIED | | DRAWN: <i>MAH</i> | DATE: 9-20-62 | |
| 1. TOLERANCES UNLESS SPECIFIED: ANGULAR ± 1° | | CHECK: <i>SH</i> | DATE: 10-1-67 | |
| 2. BREAK ALL SHARP EDGES AND APPROX. | | APPR: <i>g-w-u</i> | DATE: 1-1-64 | |
| 3. HIDE SURFACES ✓ | | | | |
| 4. ALL DIM. IN INCHES | | | | |
| MODEL NO. | | SDS SCIENTIFIC DATA SYSTEMS 1242 FIFTEENTH STREET, SANTA MONICA, CALIFORNIA | | |
| NEXT ASSY. | | TITLE: DIAGRAM, LOGIC, COMPUTER | | |
| | | SIZE: D | DWG. NO.: 101702 | D |
| | | SCALE: DO NOT SCALE DRAWINGS | SHEET | |

F1, F3 40



61

DIAGRAM, LOGIC,
COMPUTER DWG. NO. 101702

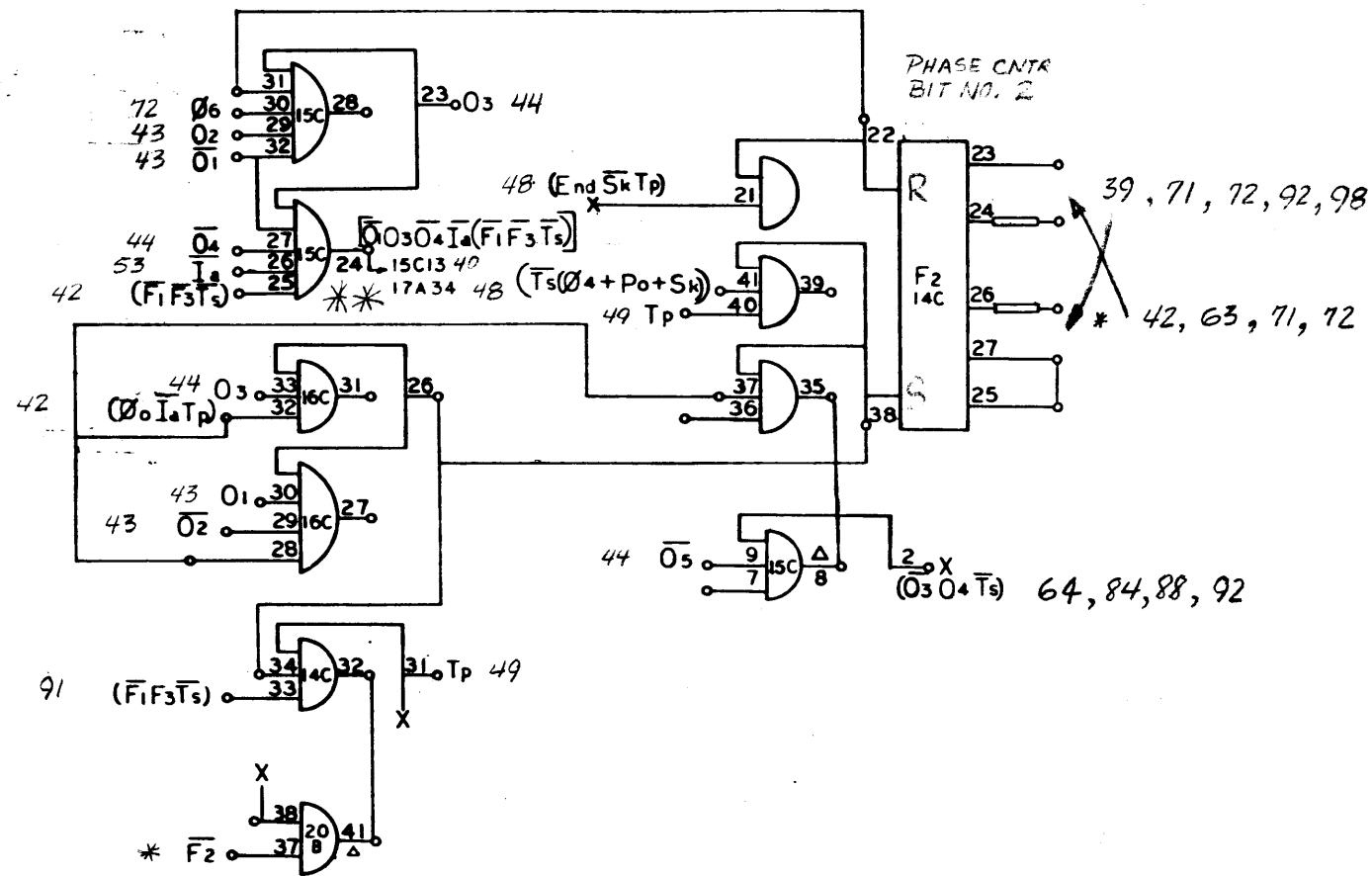
SEE NEXT PAGE

| REVISIONS | | | | C1702 1 3 | |
|-----------|--------------|-----|----------|-----------|--|
| REV | DESCRIPTION | CHK | DATE | APPROVED | |
| A | REL TO MFG | JH | 11-14-67 | | |
| D | SEE REV E.O. | JH | 11-14-67 | | |

LDA
STA
RAU



REPEATS



62

910
Page 41
D

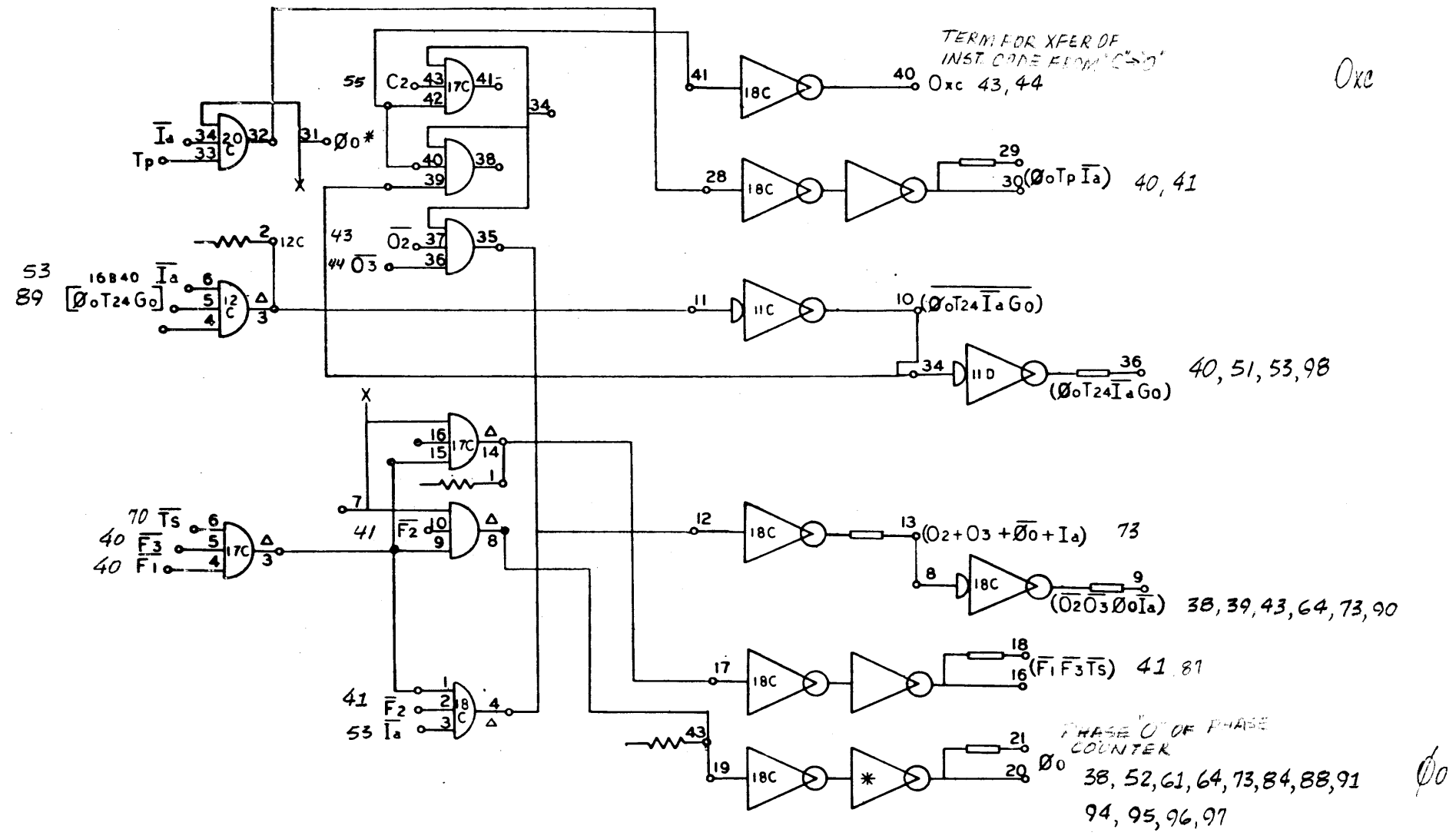
** 17A34
on previous page (41A)
the signal goes to 16C7
instead of 17A34
WHICH ONE IS CORRECT?

| NO. REV. | DRAWING NO. | DESCRIPTION | REFERENCE DESIGNATION | ITEM NO. |
|---|-------------|-----------------------------------|--|----------|
| MATERIAL LIST | | | | |
| NOTES UNLESS SPECIFIED | | DRAWN: JH | DATE: 9-20-67 | |
| 1. DIMENSIONS UNLESS SPECIFIED ARE AS SHOWN | | CHECK: JH | DATE: 11-14-67 | |
| 2. BREAK ALL SHARP EDGES AND APPROX. | | APPR: JH | DATE: 11-14-67 | |
| 3. HATCH SURFACES | | | | |
| 4. ALL DIM. IN INCHES | | | | |
| <p>SDS SCIENTIFIC DATA SYSTEMS 1545 FIFTEENTH STREET SANTA MONICA CALIFORNIA</p> <p>DIAGRAM, LOGIC, COMPUTER</p> | | | <p>MODEL NO.</p> <p>DATE: 101702</p> <p>ITEM NO. E</p> | |
| NEXT ASSY. | | SCALE: DO NOT SCALE DRAWING SHEET | | |

F2, (03 04 T3)

41

| REVISIONS | | DATE | APPROVED |
|-----------|-------------|------|----------|
| REV | DESCRIPTION | CHE | DATE |
| A | REL TO MFG | ALH | 9-20-62 |



910
Page 42
A

| NO. REQ. | DRAWING NO. | DESCRIPTION | REFERENCE DESIGNATION | ITEM NO. |
|---|---------------|-------------|-----------------------|-------------|
| MATERIAL LIST | | | | |
| NOTES UNLESS SPECIFIED | | | | |
| 1. TOLERANCES UNLESS SPECIFIED | 2. DIMENSIONS | 3. FINISH | 4. MATERIAL | 5. QUANTITY |
| 1. TOLERANCES UNLESS SPECIFIED | 2. DIMENSIONS | 3. FINISH | 4. MATERIAL | 5. QUANTITY |
| SDS SCIENTIFIC DATA SYSTEMS | | | | |
| 1542 FIFTEENTH STREET, SANTA MONICA, CALIFORNIA | | | | |
| TITLE | | | | |
| DIAGRAM, LOGIC, COMPUTER | | | | |
| MODEL NO. | | | | REV. NO. |
| NEXT ASSY. | | | | D 101702 A |
| SCALE | | | | |
| DO NOT SCALE DRAWING | | | | |

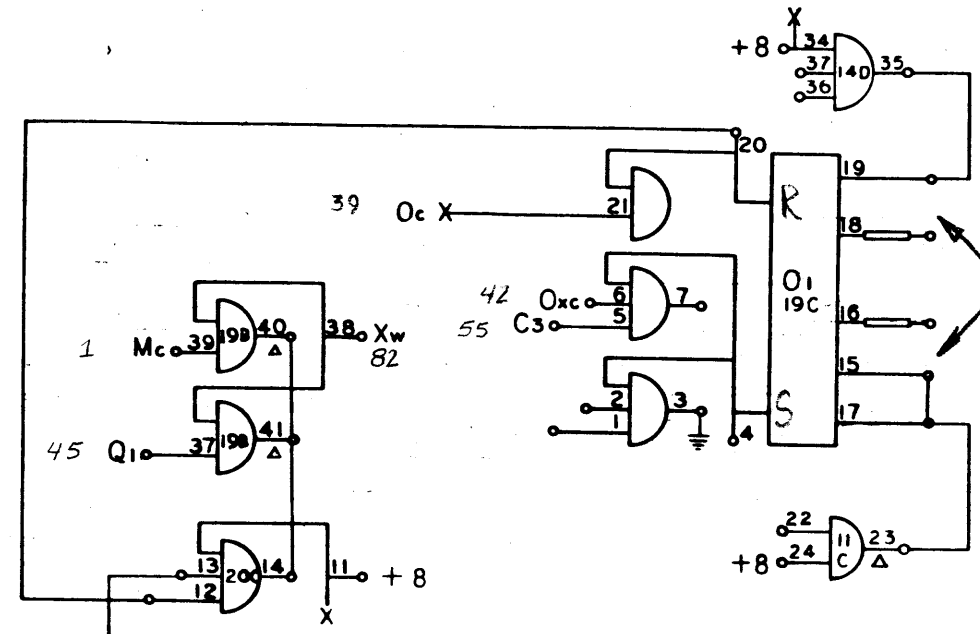
42 Oxc , $(\Phi_0 T_p \bar{I}_a)$, $(\Phi_0 T_{24} \bar{I}_a G_0)$, $(\Phi_0 T_{24} \bar{I}_a G_0)$, $(O_2 + O_3 + \Phi_0 + I_a)$, $(\bar{O}_2 \bar{O}_3 \Phi_0 \bar{I}_a)$, $(F_1 \bar{F}_3 \bar{T}_s)$, Φ_0

63
101702 A

| REVISIONS | | | | 01702 | A |
|-----------|-------------|------|---------|----------|---|
| REV. | DESCRIPTION | CHK. | DATE | APPROVED | |
| A | REL TO MFG | | 10/1/62 | | |

LDA (0, USED ONLY THIS INST)
STA
BRU

10V 32 26 32 26



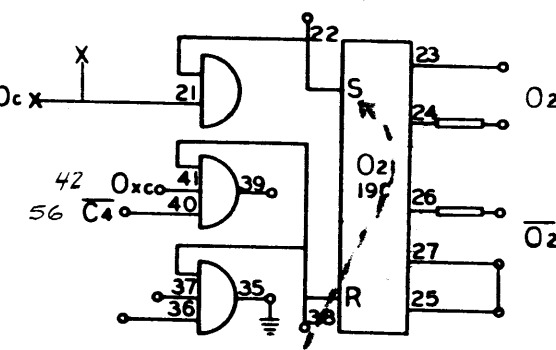
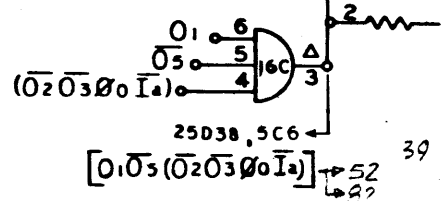
40, 41, 49, 50, 52, 64, 71, 84, 90, 92, 95, 96

39, 41, 49, 50, 64, 65, 68, 72, 84, 91, 93

(OPERATION REG)
INSTRUCTION REG
BITS 1, 2

LDA USE THIS BIT
STA
BRU

10V 40 8 40 8



10, 41, 49, 50, 52, 71, 82, 90, 92, 94

11, 42, 48, 49, 50, 52, 65, 68, 81, 84, 90, 91, 95

OPTR REG

11 12 13 14 15 16

17 18 19 20 21 22

23 24 25 26 27 28

29 30 31 32 33 34

35 36 37 38 39 40

41 42 43 44 45 46

47 48 49 50 51 52

53 54 55 56 57 58

59 60 61 62 63 64

Handwritten notes:
40, 41, 49, 50, 52, 64, 71, 84, 90, 92, 95, 96
39, 41, 49, 50, 64, 65, 68, 72, 84, 91, 93

| NO. REG. | DRAWING NO. | DESCRIPTION | REFERENCE DESIGNATION | ITEM NO. |
|--------------------------------------|-------------|------------------|-----------------------|---|
| MATERIAL LIST | | | | |
| NOTES UNLESS SPECIFIED | | DRAWN: <i>AK</i> | DATE: <i>2-2-62</i> | <p>250 FIFTH STREET, SANTA MONICA, CALIFORNIA</p> |
| 1. TOLERANCES UNLESS SPECIFIED | | CHECK: <i>AK</i> | DATE: <i>11-1-62</i> | |
| 2. DIMENSIONS UNLESS SPECIFIED | | APPR: <i>J</i> | DATE: <i>10/1/62</i> | |
| 3. BREAK ALL SHARP EDGES AND CORNERS | | | | <p>DIAGRAM, LOGIC, COMPUTER</p> |
| 4. HOLE SPACINGS | | | | |
| 5. ALL DIMENSIONS | | | | <p>MODEL NO. <i>D</i></p> <p>REV. NO. <i>101702</i></p> <p>SHEET <i>A</i></p> |

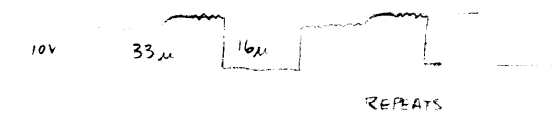
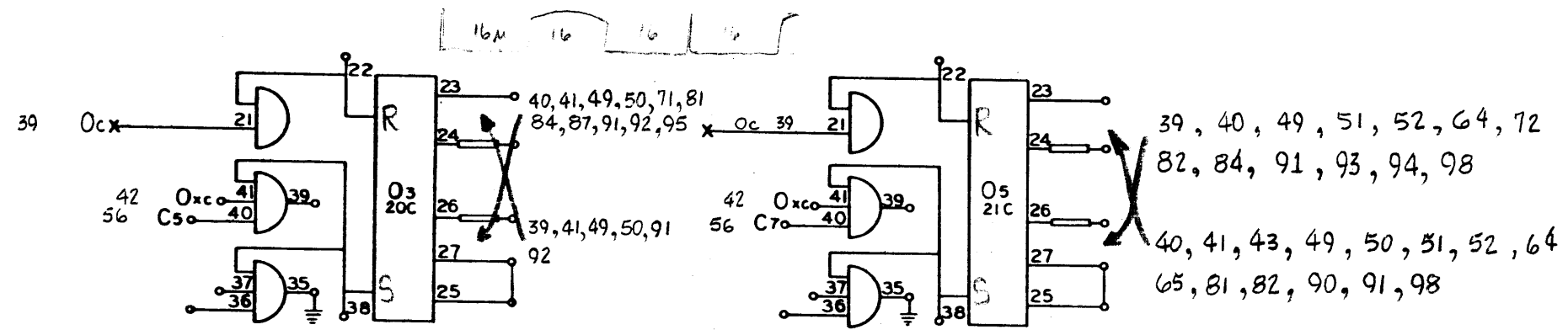
01, 02, [01, 05 (02, 03, 04, Ia)]

| REV. NO. | | REVISIONS | | DATE | | APPROVED | |
|----------|------------|-----------|--|------|--|----------|--|
| A | REL TO MFG | | | | | | |

LDA
STA
BRU

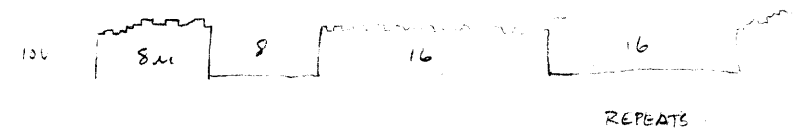
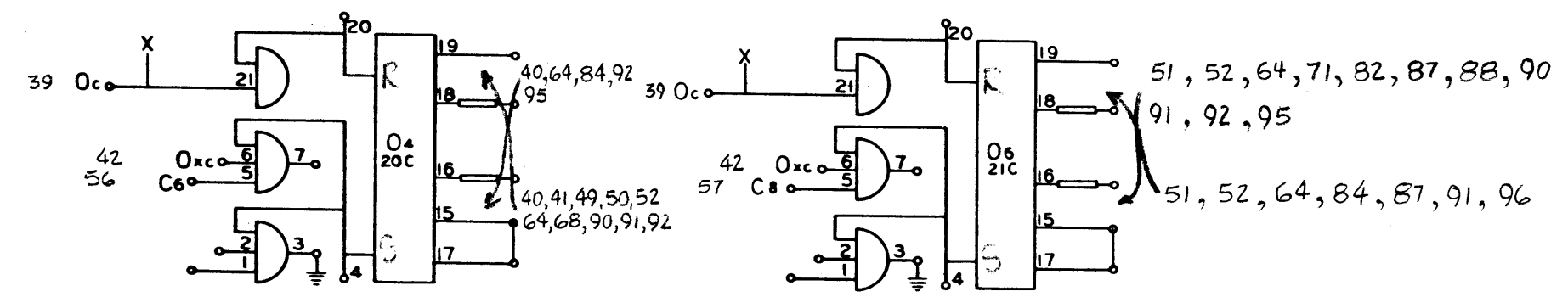
REPEATS

LDA - USE THIS BIT
STA
BRU



SIGNAL SAME
AS O3

OPERATION REG
BITS 3, 4, 5, 6



65

910
Page 44
A

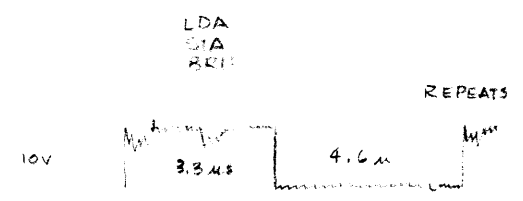
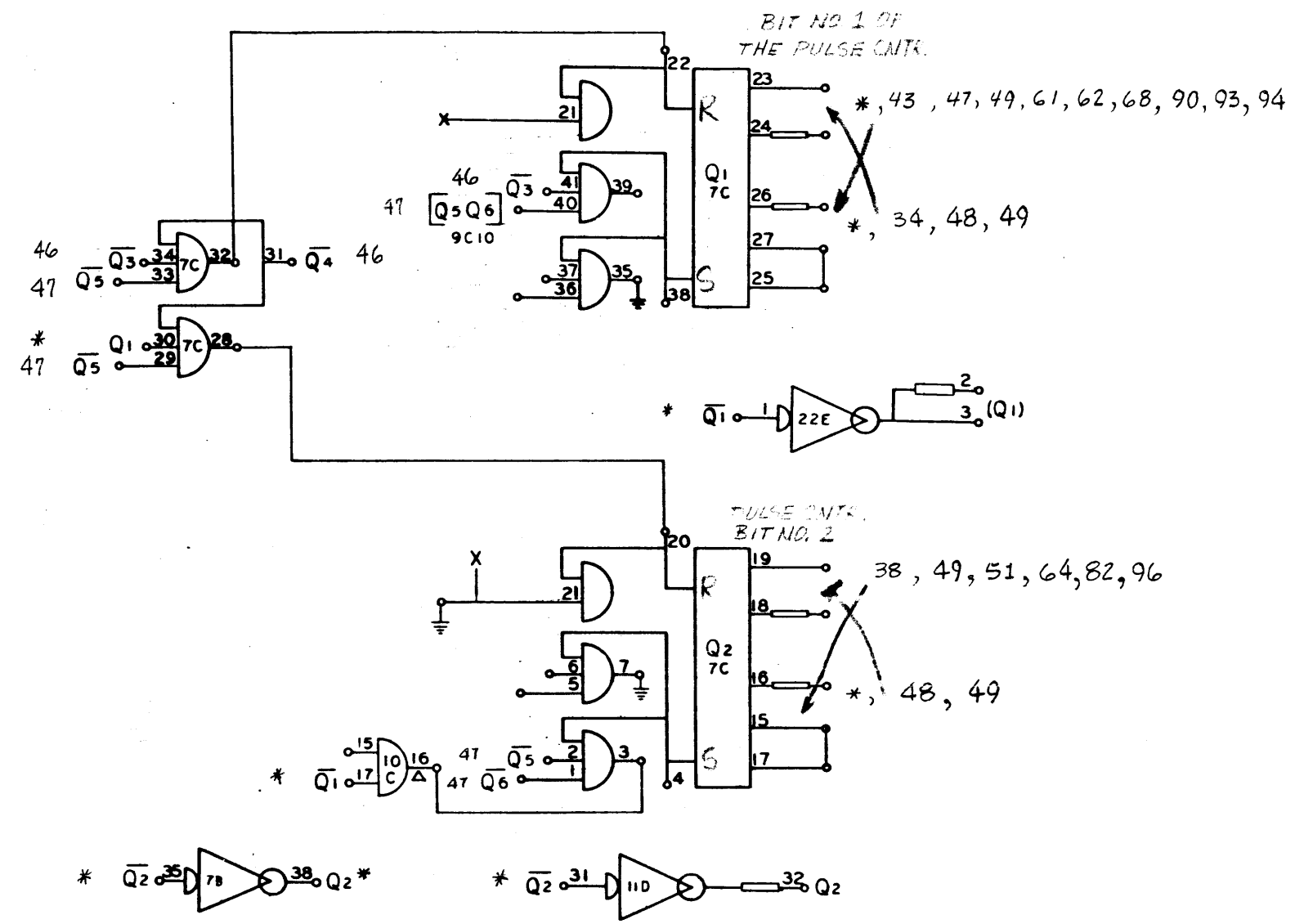
101702
A

| DWG. NO. | DRAWING NO. | DESCRIPTION | REFERENCE DESIGNATION | ITEM NO. |
|---|-------------|---|-----------------------|----------|
| | | | | |
| NOTES UNLESS OTHERWISE SPECIFIED | | MATERIAL LIST | | |
| 1. DIMENSIONS ARE IN INCHES UNLESS OTHERWISE SPECIFIED | | SDS SCIENTIFIC DATA SYSTEMS | | |
| 2. DIMENSIONS ARE IN MILLIMETERS UNLESS OTHERWISE SPECIFIED | | 1540 FIFTEENTH STREET SANTA MONICA CALIFORNIA | | |
| 3. CHECK ALL DIMENSIONS AND APPROVE | | TITLE | | |
| 4. CHECK SURFACES | | DIAGRAM, LOGIC COMPUTER | | |
| 5. ALL DIMENSIONS | | REV. D | | |
| | | DWG. NO. 101702 | | |
| | | SCALE | | |
| | | DO NOT SCALE DRAWING | | |
| | | SHEET | | |

44

O3, O4, O5, O6

| REVISIONS | | | Q1702 | A |
|-----------|-------------|------|-------|----------|
| REV. | DESCRIPTION | CHK. | DATE | APPROVED |
| A | REL TO MFG | | | |



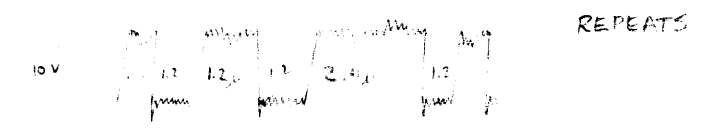
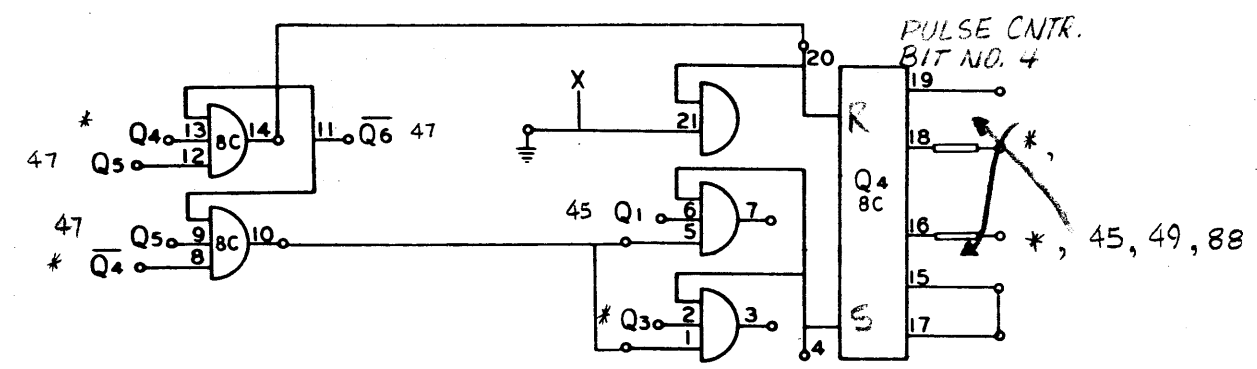
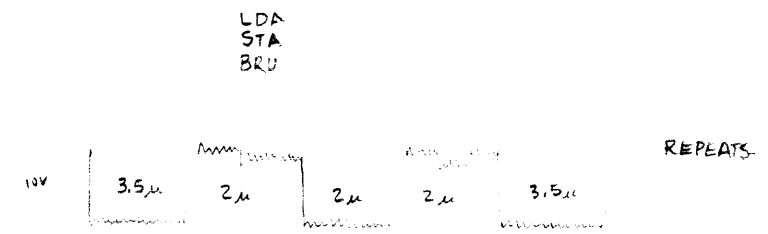
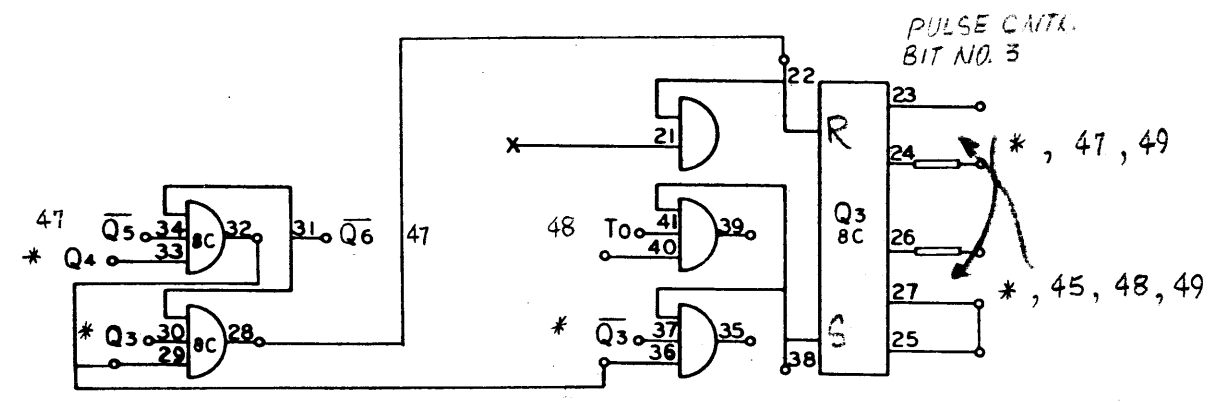
910
Page 45
A

| DWG. NO. | DRAWING NO. | DESCRIPTION | REFERENCE DESIGNATION | ITEM NO. |
|--|-------------|---|---|----------|
| | | MATERIAL LIST | | |
| NOTES UNLESS SPECIFIED | | DRAWN: <i>AK</i> CHECK: <i>AK</i> APPR: <i>AK</i> | Q1702 10-1-67 10/1/67 | |
| 1. DIMENSIONS UNLESS SPECIFIED 2. DIMENSIONS UNLESS SPECIFIED 3. DIMENSIONS UNLESS SPECIFIED 4. DIMENSIONS UNLESS SPECIFIED 5. DIMENSIONS UNLESS SPECIFIED | | | SDS SCIENTIFIC DATA SYSTEMS 1945 FIFTEENTH STREET SANTA MONICA CALIFORNIA | |
| MODEL NO. PART NO. | | | TITLE DIAGRAM, LOGIC, COMPUTER | |
| | | | DWG. NO. D 101702 | A |
| | | | SCALE DO NOT SCALE DRAWING | SHEET |

Q1, Q2

45

| REVISIONS | | | |
|-----------|-------------|-----|------|
| REV | DESCRIPTION | CHE | DATE |
| A | REL TO MFG | | |



910
Page 46
A

67

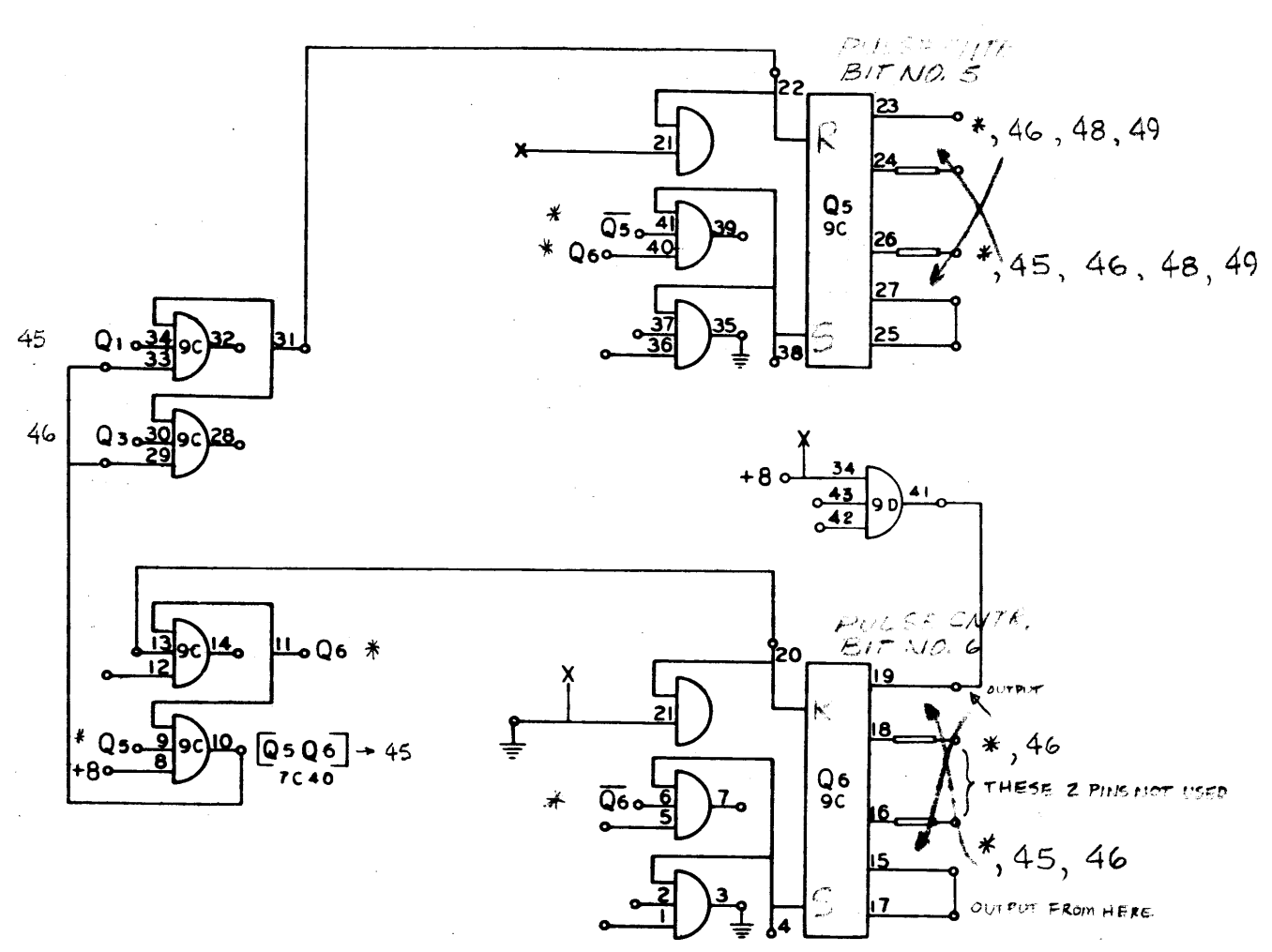
101702 A

| NO. REV. | DRAWING NO. | DESCRIPTION | REFERENCE DESIGNATION | ITEM NO. |
|---|-------------|--|-----------------------|----------|
| MATERIAL LIST | | | | |
| NOTES UNLESS SPECIFIED | | DRAWN | DATE | |
| 1. TOLERANCES: DIM. 0.000 0.001 0.002 0.005 0.010 0.020 0.050 0.100 0.200 0.500 1.000 2.000 5.000 10.000 20.000 50.000 100.000 200.000 500.000 1000.000 | | CHECK | DATE | |
| 2. BREAK ALL DIMENSIONS UNLESS OTHERWISE SPECIFIED | | APPR. | DATE | |
| 3. HATCH UNLESS OTHERWISE SPECIFIED | | | | |
| 4. ALL DIMENSIONS IN INCHES | | | | |
| MODEL NO. | | SDS SCIENTIFIC DATA SYSTEMS 1545 FIFTEENTH STREET SANTA MONICA CALIFORNIA | | |
| MFG. PART NO. | | TITLE DIAGRAM, LOGIC, COMPUTER | | |
| SCALE | | JOB ORS NO. D 101702 | | |
| SHEET | | SHEET | | |

46

Q3, Q4

| REVISIONS | | | | 101702 | A |
|-----------|-------------|------|------|----------|---|
| REV. | DESCRIPTION | CHK. | DATE | APPROVED | |
| A | REL TO MFG | | | | |



LDA
STA
BRU

REPEATS

1.3μ 1.6μ 1.6μ 1.6μ

1.3μ 1.6μ

PIN 19

REPEATS

1.3μ 1.3μ 1.3μ 10V

68

910
Page 47
A

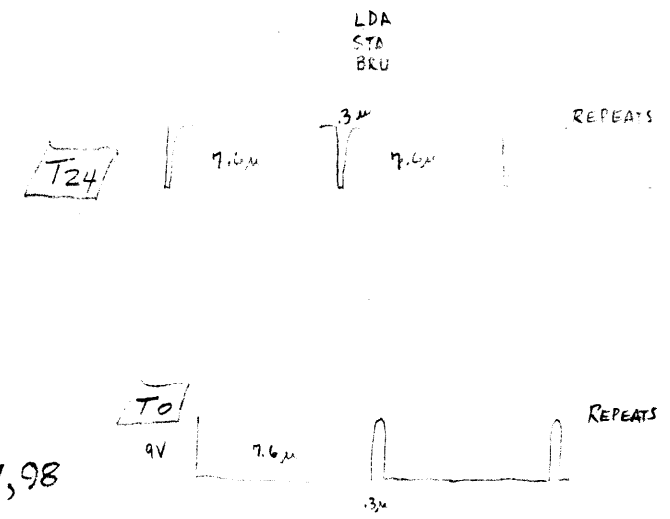
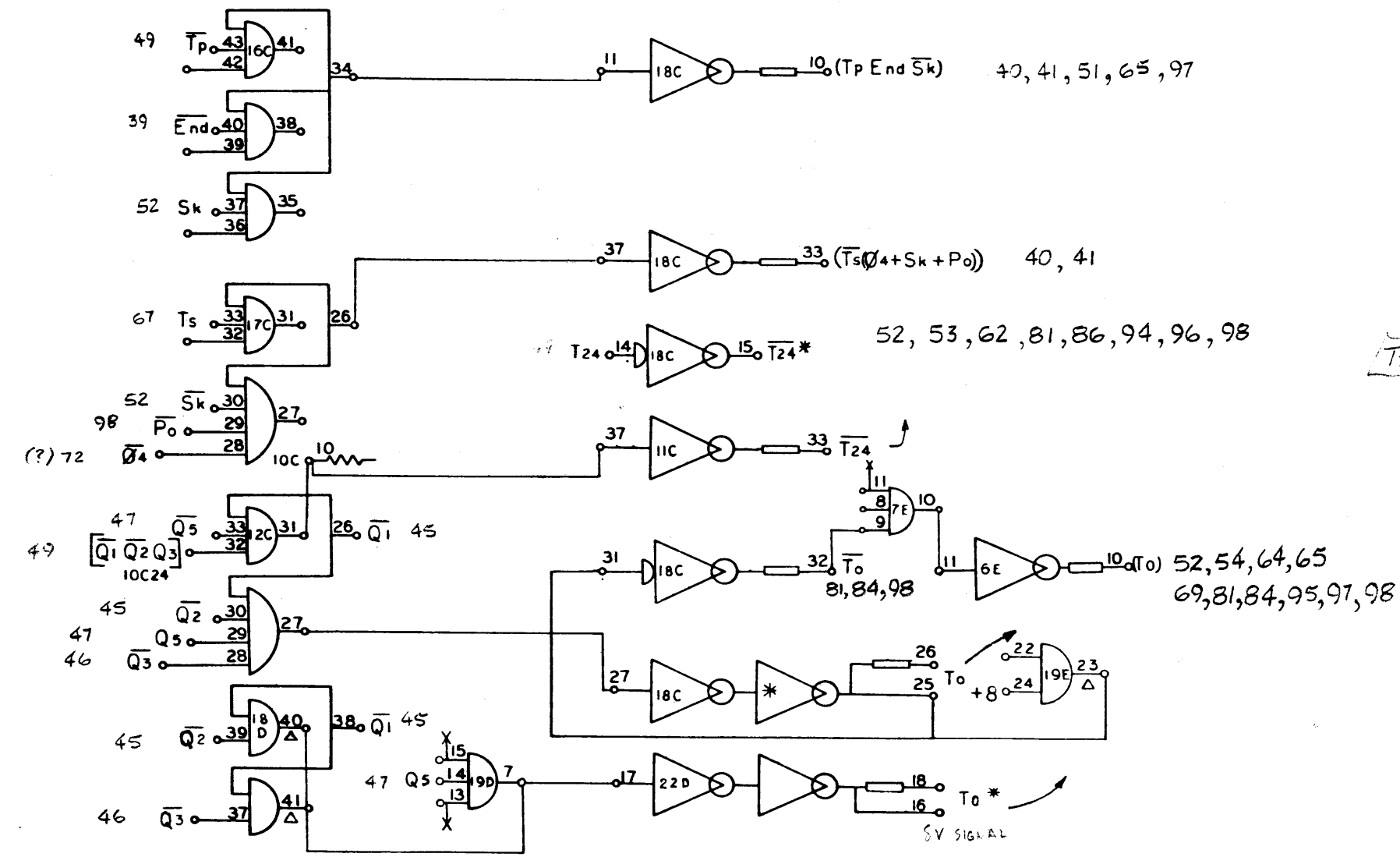
101702
A

| NO. AND | DRAWING NO. | DESCRIPTION | REFERENCE DESIGNATION | FORM NO. |
|--|----------------------------|--------------------------|--|----------|
| MATERIAL LIST | | | | |
| NOTES UNLESS SPECIFIED | | DRAWN <i>ACH</i> 9-20-62 | SDS SCIENTIFIC DATA SYSTEMS 1540 FIFTEENTH STREET, SANTA MONICA, CALIFORNIA | |
| 1. TOLERANCES DIM. 3.000 ANGULAR DIM. 3.000 2 1/2° | CHECK <i>ACH</i> 11-1-62 | DATE 11-1-62 | DIAGRAM, LOGIC COMPUTER | |
| 2. BREAK ALL SHARP CORNERS AND 45°-90° | APPR. <i>g. j. 11-1-62</i> | | SCALE | |
| 3. PAPER SURFACES ✓ | | | DO NOT SCALE DRAWING SHEET | |
| 4. ALL DIMS IN INCHES | | | DWG NO. 101702 A | |

Q5, Q6

47

| REVISIONS | | | |
|-----------|-------------|-----|----------|
| REV | DESCRIPTION | CHK | DATE |
| A | REL TO MFG | JH | 10/15/62 |



ONE OF 24 BIT BIT DIVERSITY
TIMES MAKING UP THE PROGRAMMABLE SECTION OF THE
COMPUTER WORD

910
Page 48
A

69

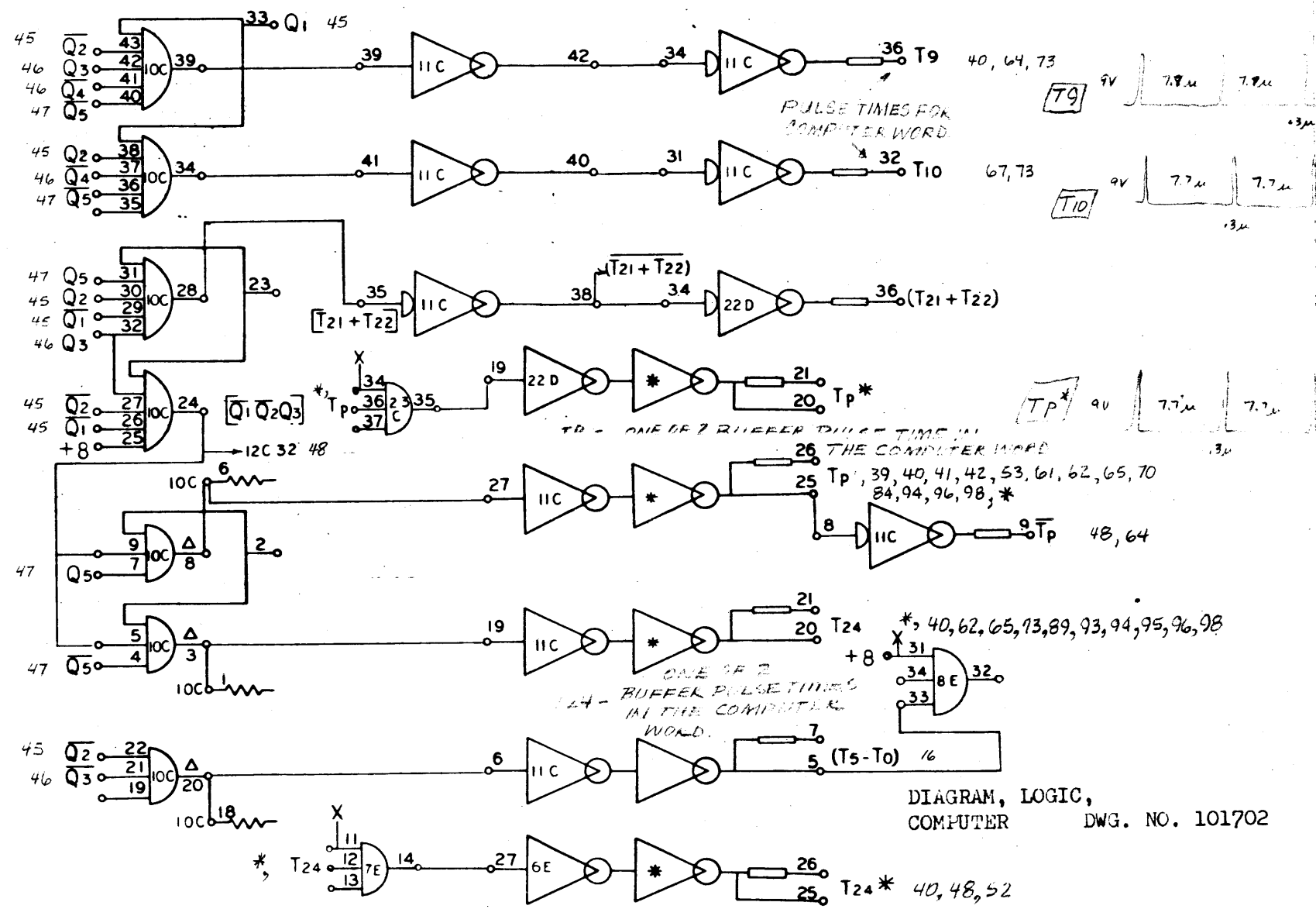
101702 A

$$(T_{P\text{END}} \bar{S}_k) - (\bar{T}_s (\bar{\phi}_4 + S_k + P_0)) = \bar{T}_{24}, T_0, \bar{T}_0$$

| NO. REV. | DRAWING NO. | DESCRIPTION | REFERENCE DESIGNATION | ITEM NO. |
|---|------------------|------------------|---|----------|
| NOTES UNLESS SPECIFIED | | | | |
| 1. TOLERANCES UNLESS SPECIFIED | ANGULAR ± 15° | | | |
| 2. BREAK ALL SHARP EDGES AND CORNERS | | | | |
| 3. COIL SURFACES | | | | |
| 4. ALL DIM. IN INCHES | | | | |
| DRAWN: JH | | DATE: 9-20-62 | SDS SCIENTIFIC DATA SYSTEMS | |
| CHECK: JH | | DATE: 10-1-62 | 1342 FIFTEENTH STREET, SANTA MONICA, CALIFORNIA | |
| APPR: JH | | DATE: 10/1/62 | TITLE: DIAGRAM, LOGIC, COMPUTER | |
| MODEL: 101 | SIZE: D | DWG. NO.: 101702 | SHEET: A | |
| NEXT REV. | | SCALE: | DO NOT SCALE DRAWING | |

70

LDA
STA
BRU

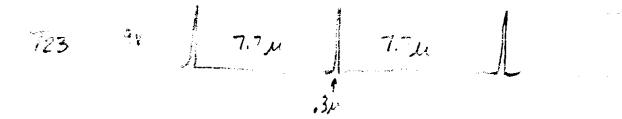
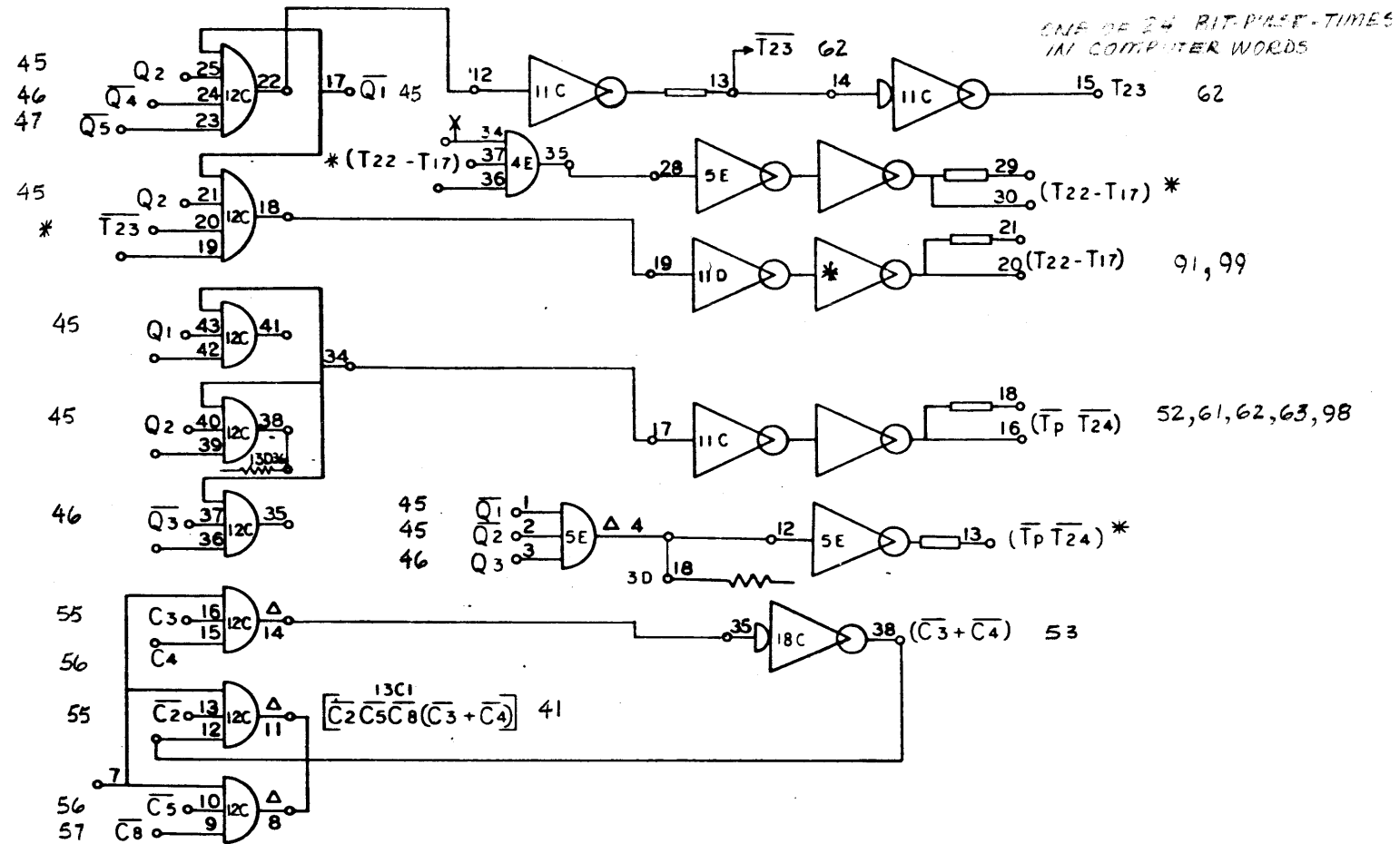


DIAGRAM, LOGIC,
COMPUTER DWG. NO. 101702

$[\bar{Q}_1 \bar{Q}_2 \bar{Q}_3]$, T_9 , T_{10} , $(T_{21} + T_{22})$, T_P^* , \bar{T}_P , T_P , T_{24} , $(T_5 - T_0)$, T_{24}^*

| REV | | DESCRIPTION | | CHK | DATE | APPROVED |
|-----|--|-------------|--|-----|----------|-------------|
| A | | REL TO MFG | | JK | 12-22-64 | [Signature] |

LDA
STA
BRU



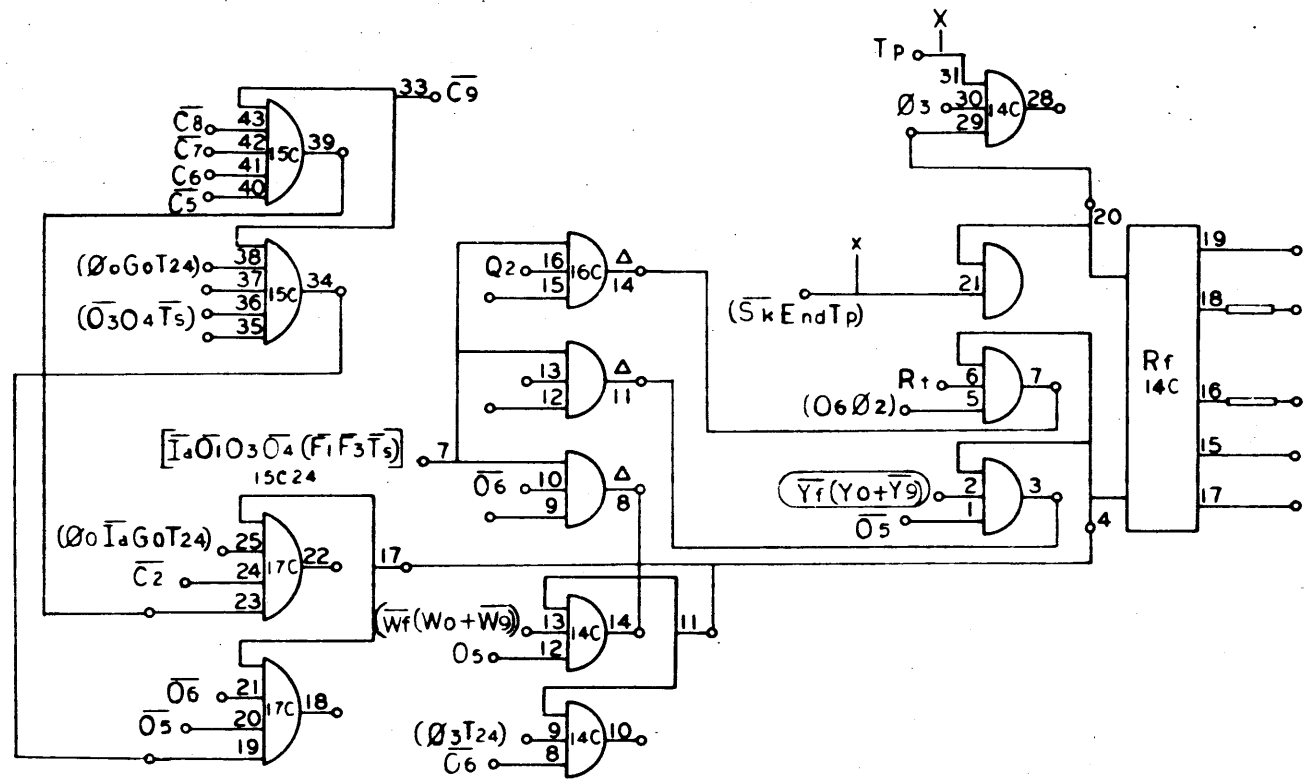
71

910
PAGE 50
A

| NO. REV. | DRAWING NO. | DESCRIPTION | REFERENCE DESIGNATION | ITEM NO. |
|---|-------------|--------------------|--|------------------|
| MATERIAL LIST | | | | |
| NOTES UNLESS SPECIFIED | | DRAWN: [Signature] | SDS SCIENTIFIC DATA SYSTEMS 1942 FIFTEENTH STREET, SANTA MONICA, CALIFORNIA | |
| 1. TOLERANCES UNLESS SPECIFIED: DIM. 2.000 3.000 4.000 5.000 6.000 7.000 8.000 9.000 10.000 11.000 12.000 13.000 14.000 15.000 16.000 17.000 18.000 19.000 20.000 21.000 22.000 23.000 24.000 25.000 26.000 27.000 28.000 29.000 30.000 31.000 32.000 33.000 34.000 35.000 36.000 37.000 38.000 39.000 40.000 41.000 42.000 43.000 44.000 45.000 46.000 47.000 48.000 49.000 50.000 51.000 52.000 53.000 54.000 55.000 56.000 57.000 58.000 59.000 60.000 61.000 62.000 63.000 64.000 65.000 66.000 67.000 68.000 69.000 70.000 71.000 72.000 73.000 74.000 75.000 76.000 77.000 78.000 79.000 80.000 81.000 82.000 83.000 84.000 85.000 86.000 87.000 88.000 89.000 90.000 91.000 92.000 93.000 94.000 95.000 96.000 97.000 98.000 99.000 100.000 | | CHECK: [Signature] | TITLE: DIAGRAM, LOGIC, COMPUTER | |
| 2. BREAK ALL SHARP CORNERS AND POINTS. | | APPR: [Signature] | MODEL NO. | |
| 3. HATCH SURFACES. | | | SIZE: D | DWG. NO.: 101702 |
| 4. ALL DIM. IN INCHES. | | | SCALE: DO NOT SCALE DRAWING | SHEET: A |

50 $T_{23}, \overline{T_{23}}, (T_{22}-T_{17})^*, (T_{22}-T_{17}), (\overline{T_p T_{24}}), (\overline{T_p T_{24}})^*, (\overline{C_3 + C_4}), [C_2 C_5 C_8 (C_3 + C_4)]$

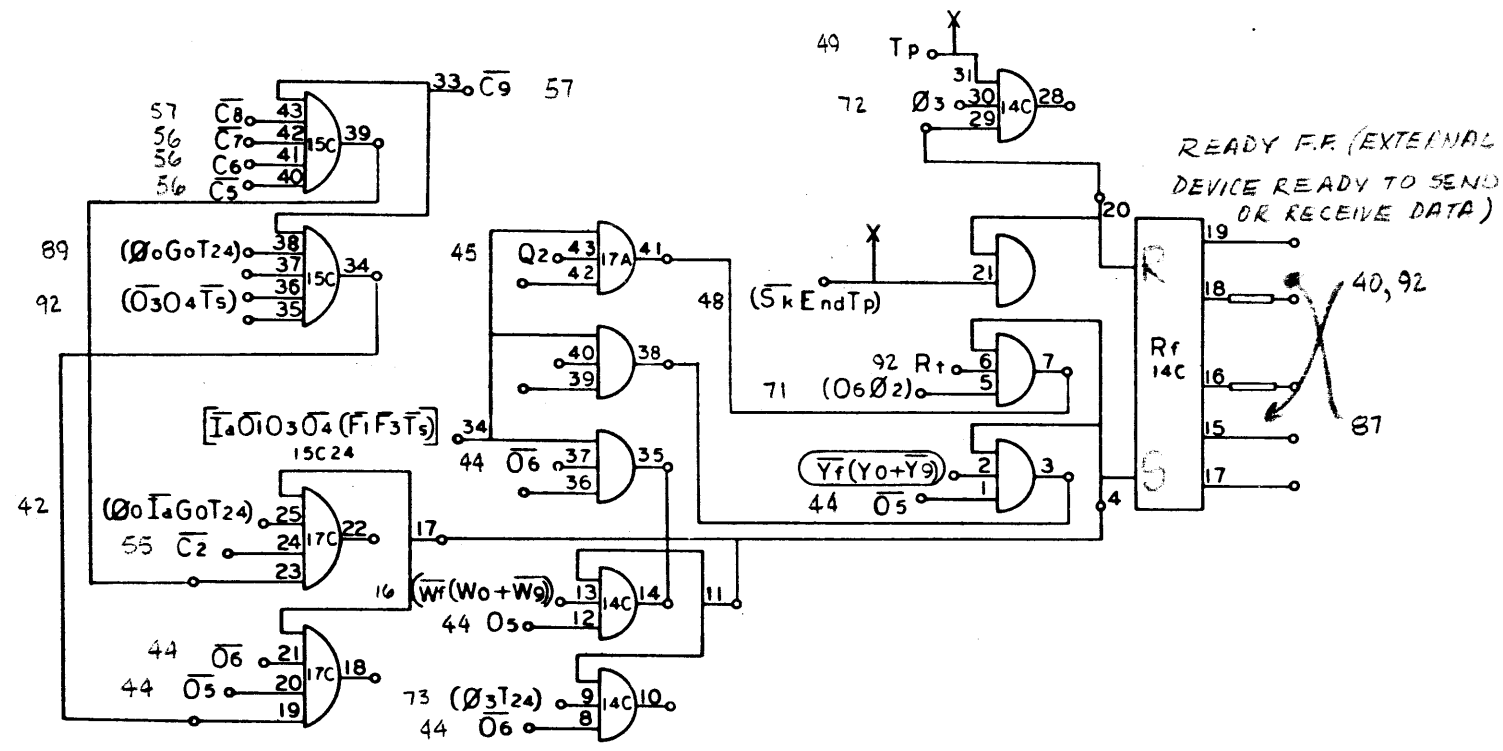
72



DIAGRAM, LOGIC,
COMPUTER DWG. NO. 101702

SEE NEXT SHEET

| REVISIONS | | | | 101702 | B |
|-----------|---------------|------|------|----------|---|
| REV. | DESCRIPTION | CHK. | DATE | APPROVED | |
| A | REL TO MFG | | | | |
| B | SEE REV. E.O. | | | | |



READY F.F. (EXTERNAL
DEVICE READY TO SEND
OR RECEIVE DATA)

LDA
5-P
BRU

+8V LEVEL
WHILE RUN.

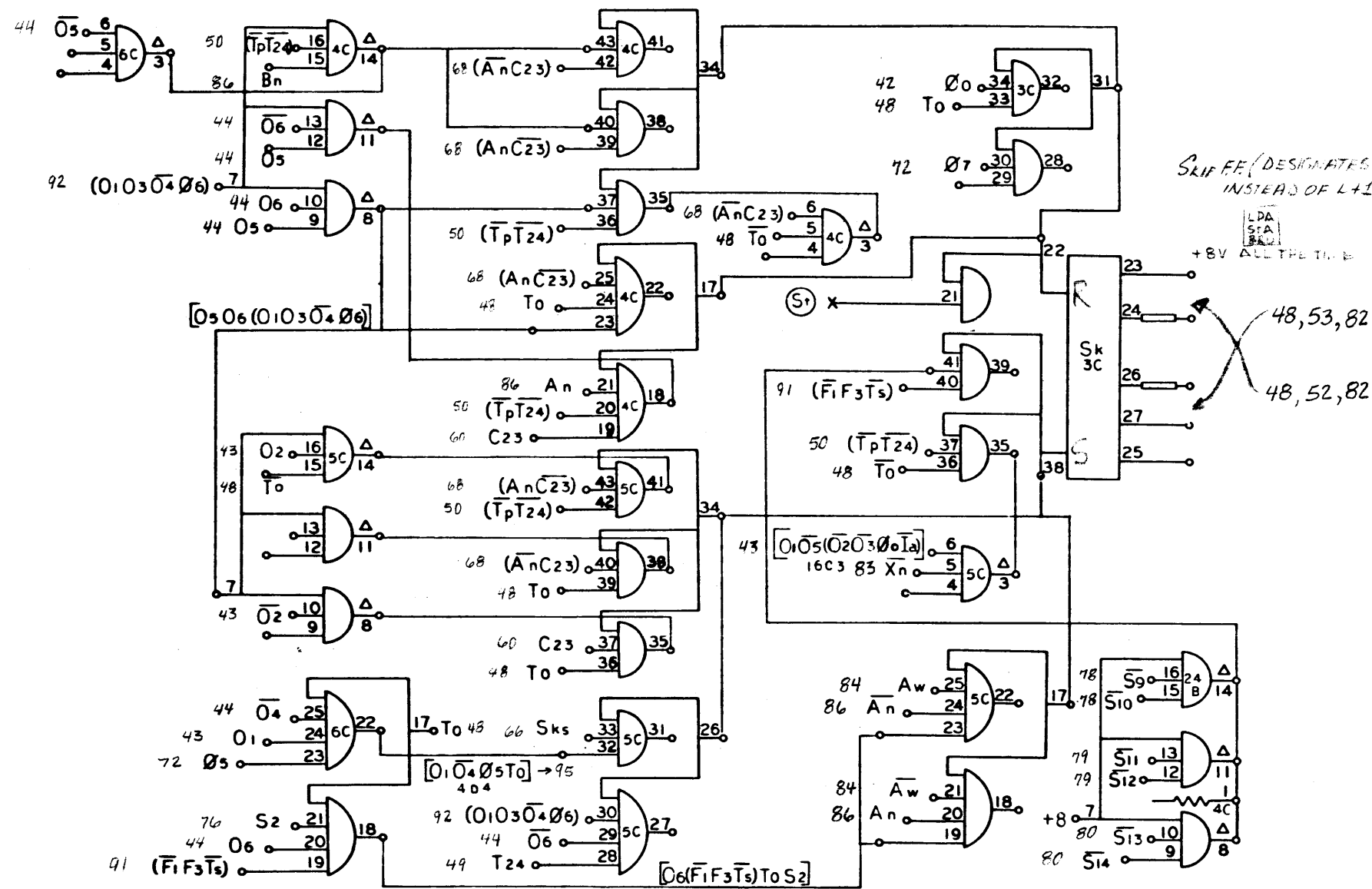
S10
PAGE 51
B

73

101702
B

| NO. REG. | DRAWING NO. | DESCRIPTION | REFERENCE DESIGNATION | ITEM NO. |
|--|-------------|---------------|---|----------|
| MATERIAL LIST | | | | |
| NOTES UNLESS SPECIFIED | | | | |
| 1. TOLERANCES ARE 2.000 ANGULAR ± 1/2° | | | | |
| 2. BREAK ALL SHARP EDGES AND POINTS. | | | | |
| 3. DIM. SURFACES | | | | |
| 4. ALL DIM. IN DECIMALS | | | | |
| DRAWN: <i>L.H.</i> | | DATE: 9-22-62 | SDS SCIENTIFIC DATA SYSTEMS 1505 FIFTEENTH STREET SANTA MONICA CALIFORNIA | |
| CHECK: <i>L.H.</i> | | DATE: 11-1-64 | | |
| APPR: <i>L.H.</i> | | DATE: 1-1-66 | | |
| TITLE | | | DIAGRAM, LOGIC, COMPUTER | |
| MODEL NO. | | | SEE DWG NO. | |
| NEXT ASSY | | | D | 101702 |
| SCALE | | | DO NOT SCALE DRAWING | SHEET |

| REVISED | | | REVISIONS | | |
|---------|-------------|-----|-----------|----------|----|
| REV | DESCRIPTION | CHK | DATE | APPROVED | BY |
| A | REL TO MFG | | | | |

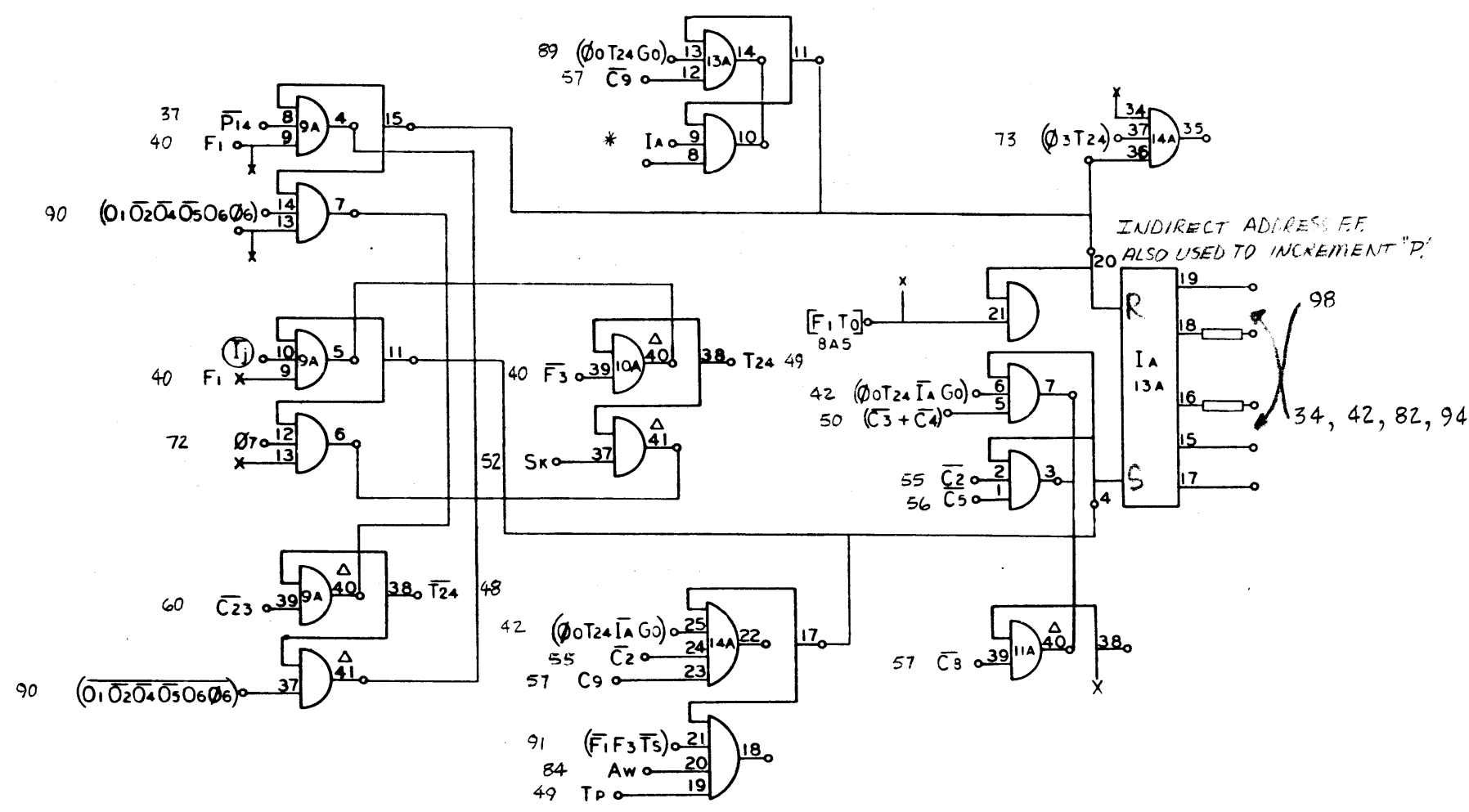


910
PAGE 52
A

| NO. REQ | DRAWING NO. | DESCRIPTION | REFERENCE DESIGNATION | ITEM NO. |
|--|-------------|--|-----------------------|----------|
| NOTES UNLESS SPECIFIED | | | | |
| 1. TOLERANCES UNLESS SPECIFIED | | | | |
| 2. DIMENSIONS ARE IN INCHES | | | | |
| 3. FINISH ALL SHARP EDGES AND SURFACES | | | | |
| 4. HOLE SURFACES | | | | |
| 5. ALL DIM. IN INCHES | | | | |
| DRAWN | | CHKD | DATE | |
| CHECKED | | APPROVED | DATE | |
| MATERIAL LIST | | SDS DIGITIZING DATA SYSTEMS | | |
| TITLE | | 1845 EIGHTEENTH STREET, SANTA MONICA, CALIFORNIA | | |
| MODEL NO. | | DIAGRAM, LOGIC COMPUTER | | |
| NEXT ASSY. | | REV | REV NO. | REV |
| | | D | 101702 | A |
| SCALE | | DO NOT SCALE DRAWING | | |

$S_K, \bar{S}_K, (0, \bar{0}_4 \phi 5 T_0)$

| REVISIONS | | | | 101702 | |
|-----------|-------------|-----|----------|-------------|--|
| REV | DESCRIPTION | CHK | DATE | APPROVED | |
| A | REV. TO MFG | JH | 10-24-64 | [Signature] | |



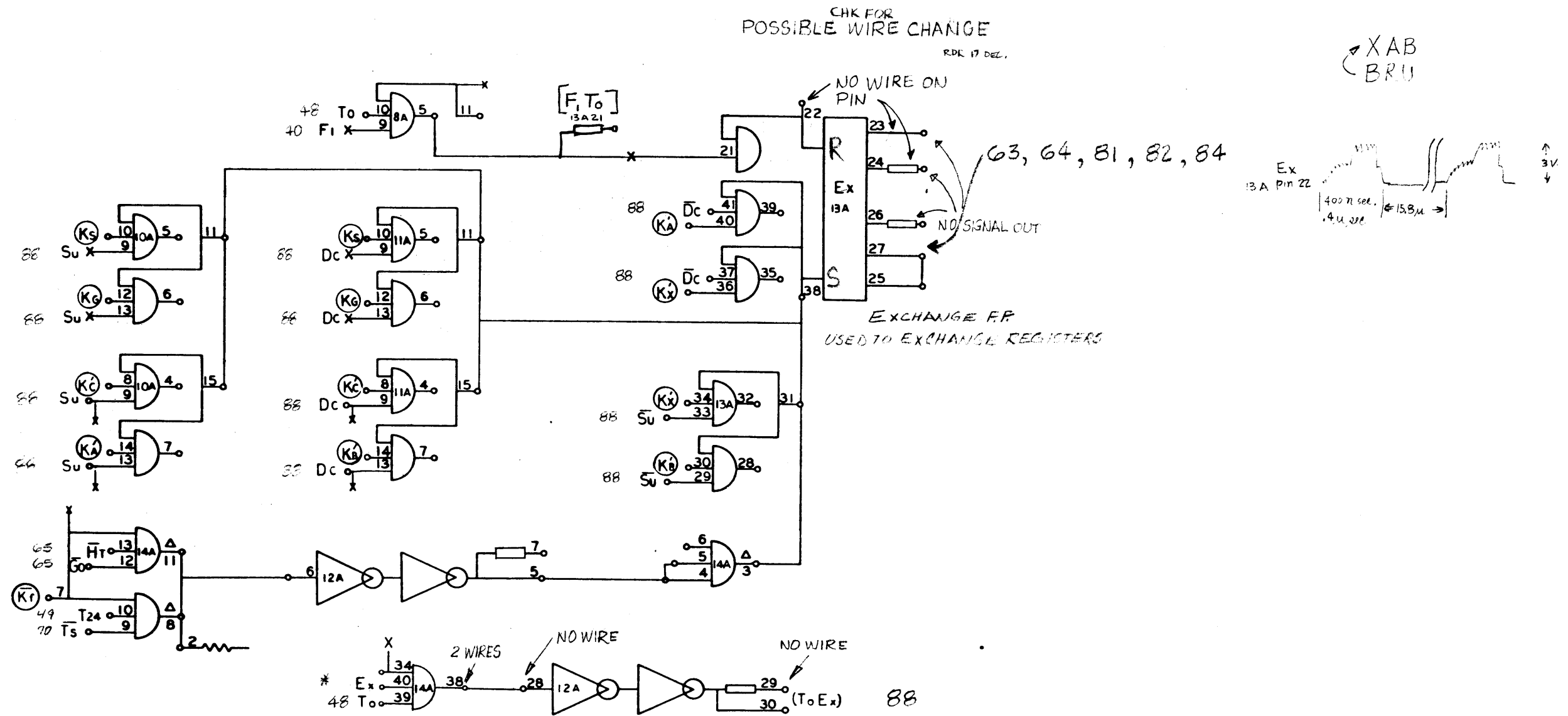
910
PAGE 53
A

101702 A 7

| NO. REV. | DRAWING NO. | DESCRIPTION | REFERENCE DESIGNATION | ITEM NO. |
|---|-------------|--------------------------|-----------------------|--|
| MATERIAL LIST | | | | |
| NOTES UNLESS SPECIFIED | | DRAWN: <i>LH</i> | DATE: 9-20-64 | <div style="text-align: center;"> <p>SDS SCIENTIFIC DATA SYSTEMS 1945 FIFTEENTH STREET SANTA MONICA, CALIFORNIA</p> </div> |
| 1. DIMENSIONS: 25 ± .005, 25 ± .005, 25 ± .005 | | CHECK: <i>LH</i> | DATE: 10-1-64 | |
| 2. BREAK ALL DIMENSIONS 300 AFTER C. | | APPR: <i>[Signature]</i> | DATE: 10-1-64 | |
| 3. HATCH SURFACE: <input checked="" type="checkbox"/> | | | | TITLE: DIAGRAM, LOGIC, COMPUTER |
| 4. ALL DIM. IN INCHES | | | | MODEL NO.: |
| NEXT ADJ.: | | | | SIZE: D |
| | | | | DATE: 101702 |
| | | | | SCALE: DO NOT SCALE DRAWING |
| | | | | SHEET: |

| REVISIONS | | | |
|-----------|-------------|------|------|
| REV. | DESCRIPTION | CHK. | DATE |
| A | REL TO MFG | | |

76



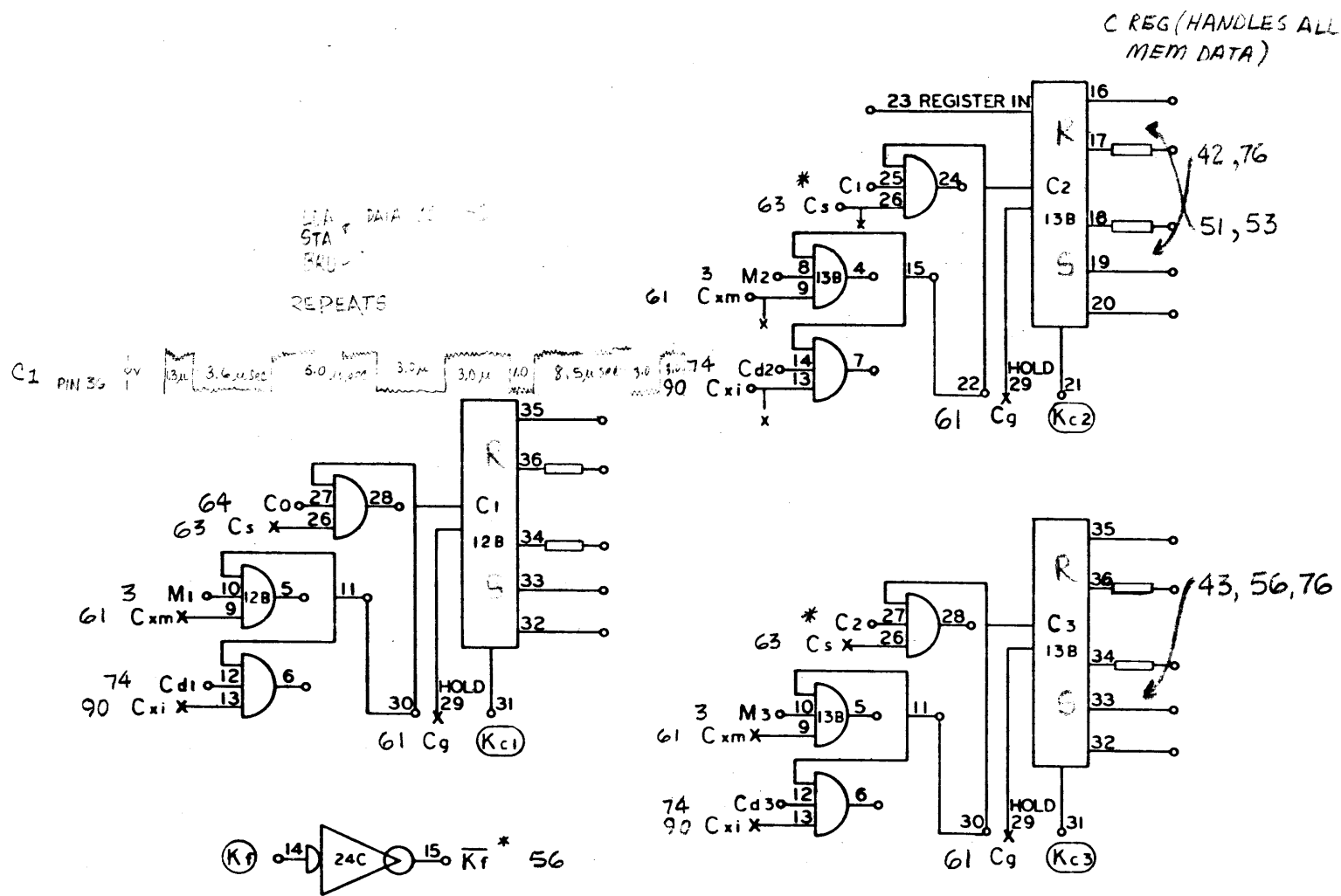
910
PAGE 54
A

| REV. | DRAWING NO. | DESCRIPTION | REFERENCE DESIGNATION | ITEM NO. |
|---|-------------|---------------------------------------|--------------------------------------|--|
| MATERIAL LIST | | | | |
| 1. TOLERANCES UNLESS SPECIFIED: .015 ANGULAR .005 DIM. .010 SURF. FINISH .010 SURF. FINISH .010 SURF. FINISH | | DRAWN: RHL CHECK: RHL APPL: RHL | DATE: 12-11-67 1/1/68 | SDS ELECTRONIC DATA SYSTEMS 1540 FIFTEENTH STREET SANTA MONICA, CALIFORNIA |
| TITLE DIAGRAM, LOGIC, COMPUTER | | | MODEL NO. D | DRAWING NO. 101702 |
| SHEET NO. A | | | SCALE DO NOT SCALE DRAWING | SHEET |

Ex, Ex, (ToEx) 54

101702 A

| REV | | DESCRIPTION | CHK | DATE | APPROVED |
|-----|--|-------------|-----|------|----------|
| A | | REL TO MFG | | | |



910
PAGE 55
A

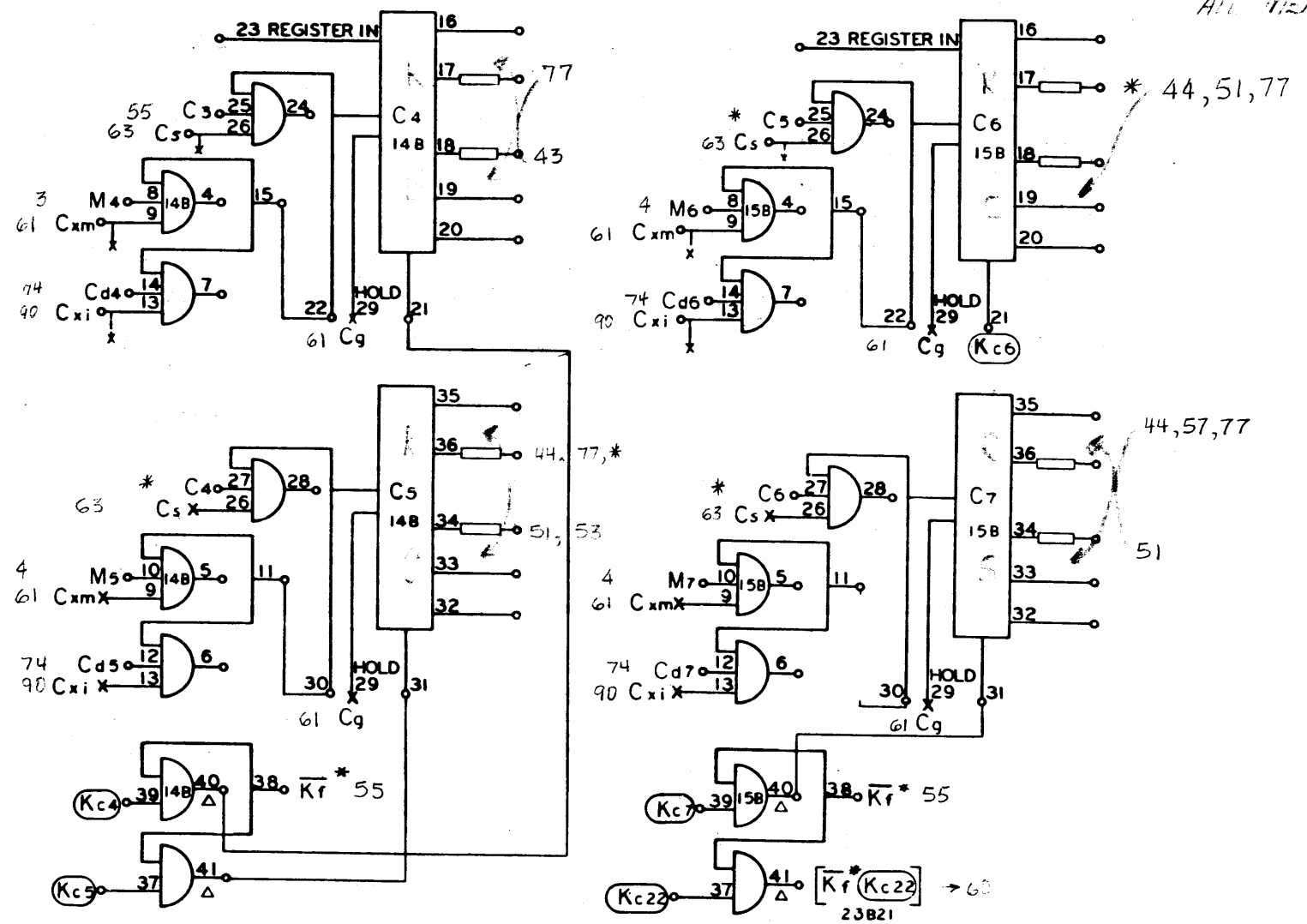
| NO. REC | DRAWING NO. | DESCRIPTION | REFERENCE DESIGNATION | ITEM NO. |
|---------------------------------------|-------------|----------------------------------|-----------------------|----------|
| MATERIAL LIST | | | | |
| NOTES UNLESS SPECIFIED | | | | |
| 1. TOLERANCES: .05 ±.000 ANGULAR ±1° | | | | |
| 2. BREAK ALL SHARP EDGES .010 APPROX. | | | | |
| 3. HATCH SURFACES ✓ | | | | |
| 4. ALL DIM. IN INCHES | | | | |
| DRAWN: <i>LB</i> | | DATE: 8-22-62 | | |
| CHECK: <i>SP</i> | | DATE: 8-22-62 | | |
| APPR: <i>SP</i> | | DATE: 8-22-62 | | |
| MODEL NO. | | DWG. NO. 01702 | | |
| NEXT ASSY. | | SCALE: DO NOT COPY DRAWING SHEET | | |

55 \overline{Kf}^* , C_1 , $\overline{C_1}$, C_2 , $\overline{C_2}$, C_3 , $\overline{C_3}$

101702 A 77

| REVISIONS | | | |
|-----------|-------------|-----|------|
| REV | DESCRIPTION | CHK | DATE |
| A | REL TO MFG | | |

C REG HANDLE
ALL NEW DATA



78

910
PAGE 56
A

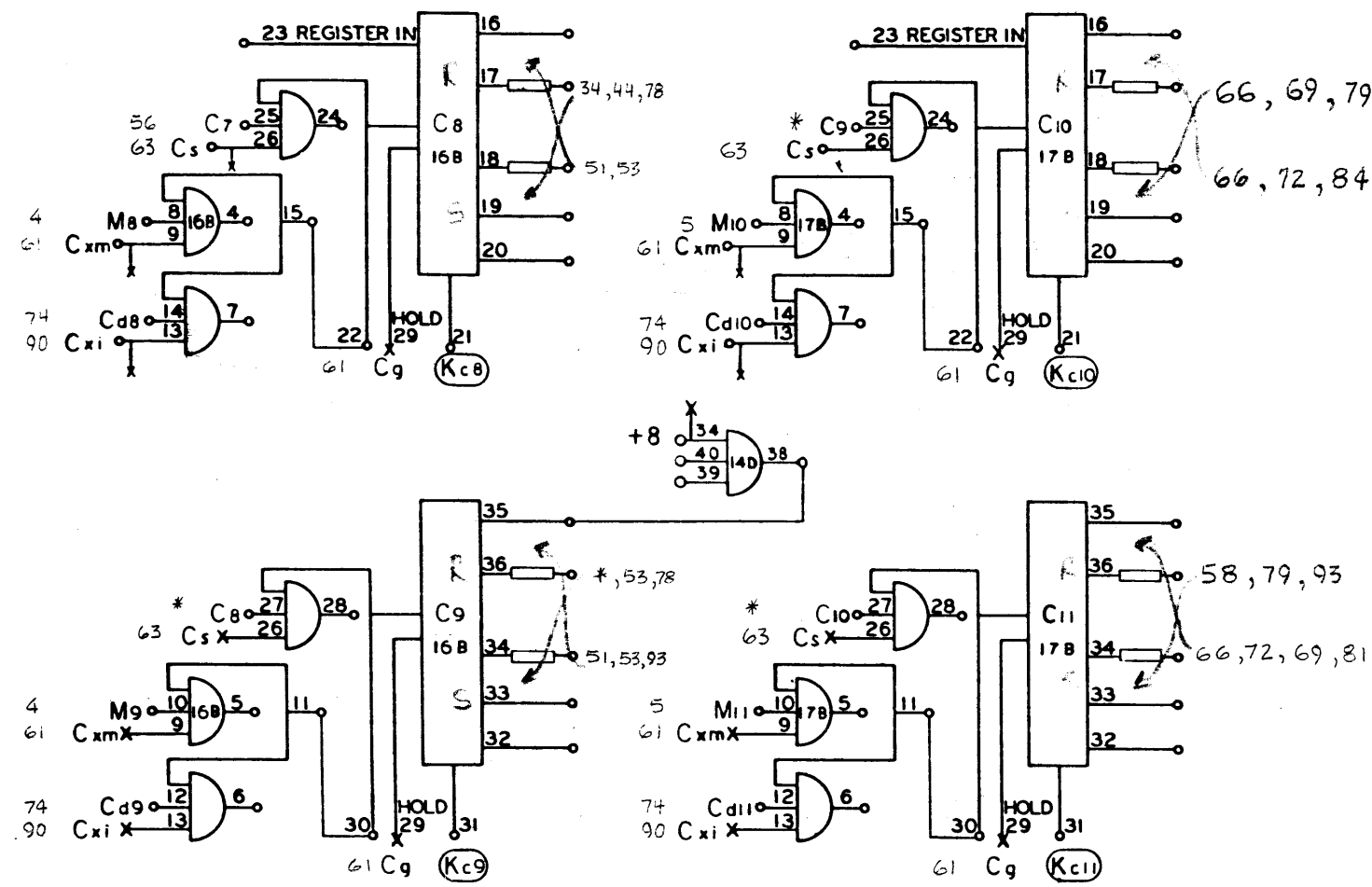
101702 A

| NO. REQ | DRAWING NO. | DESCRIPTION | REFERENCE DESIGNATION | ITEM NO. |
|--|-------------|-------------------------------------|---|----------------------|
| NOTES UNLESS SPECIFIED | | | | |
| 1. TOLERANCES 20 ± .005 300 ± .010 | | 2. DIMENSIONS AS SHOWN ± .010 | SDS SCIENTIFIC DATA SYSTEMS 1542 FIFTEENTH STREET SANTA MONICA, CALIFORNIA | |
| 3. BREAK ALL SHARP EDGES 3/16 APPROX. | | 4. HATCH SURFACES ✓ | TITLE DIAGRAM, LOGIC COMPUTER | |
| MODEL NO. | | DWS NO. D 101702 | | A |
| NEXT ASSY. | | SCALE | | DO NOT SCALE DRAWING |

C₄, C₄, C₅, C₅, C₆, C₆, C₇, C₇, [Kf* (Kc22)] 56

| REV | | DESCRIPTION | | REVISIONS | | CHK | DATE | APPROVED |
|-----|--|-------------|-------|-----------|--|-----|------|----------|
| A | | REL | O MFG | | | | | |

C REG (HANDLES ALL MEMORY DATA)



910
PAGE 57
A

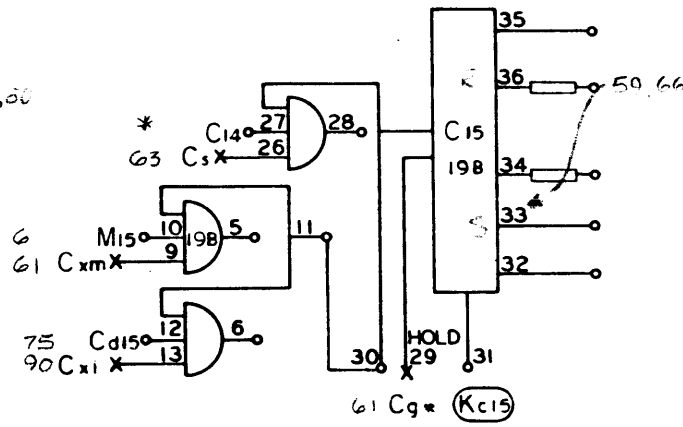
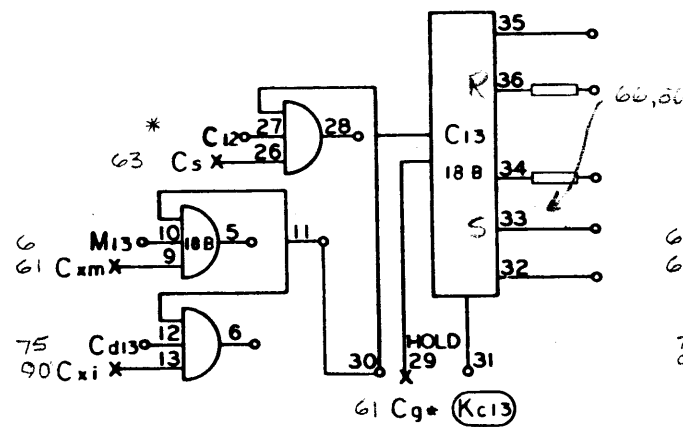
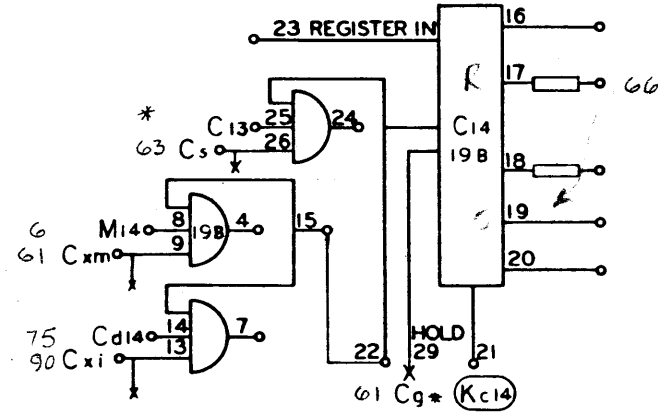
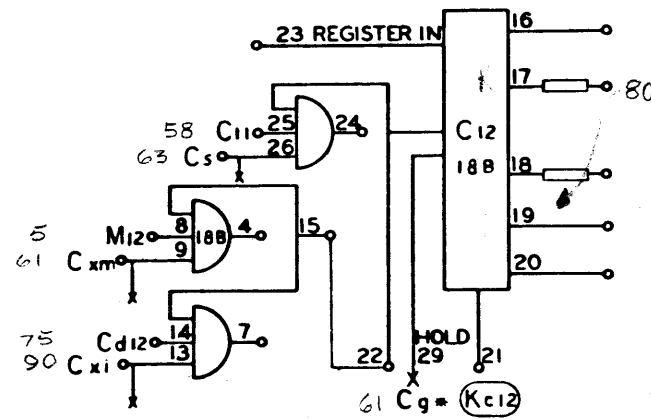
79

| REV | DRAWING NO. | DESCRIPTION | REFERENCE DESIGNATION | ITEM NO. |
|--|-------------|---|---------------------------|-------------------|
| MATERIAL LIST | | | | |
| NOTES UNLESS SPECIFIED: 1. TOLERANCES: IN 1.500 ANGULAR DIM 2.000 2.5' 2. BEVEL ALL SHARP EDGES .010 R/PIN. 3. HIDE SURFACES J 4. ALL DIM IN INCHES | | | | |
| DRAWN: <i>SA</i> CHECK: <i>SA</i> APPR: <i>SA</i> | | SDS SCIENTIFIC DATA SYSTEMS 1542 FIFTEENTH STREET, SANTA MONICA, CALIFORNIA | | |
| MODEL NO. NCVT ARMY | | TITLE DIAGRAM, LOG C, COMPUTER | | |
| | | SIZE D | PART NO. 101702 | SHEET A |
| | | SCALE 50 PER SCALE DRAWING | SHEET | |

57. C8, C8, C9, C9, C10, C10, C11, C11

| REVISIONS | | | | |
|-----------|-------------|-----|------|--------|
| REV | DESCRIPTION | CHK | DATE | APPROV |
| A | REL TO MFG | | | |

C REG: HANDLES ALL
MEMORY DATA

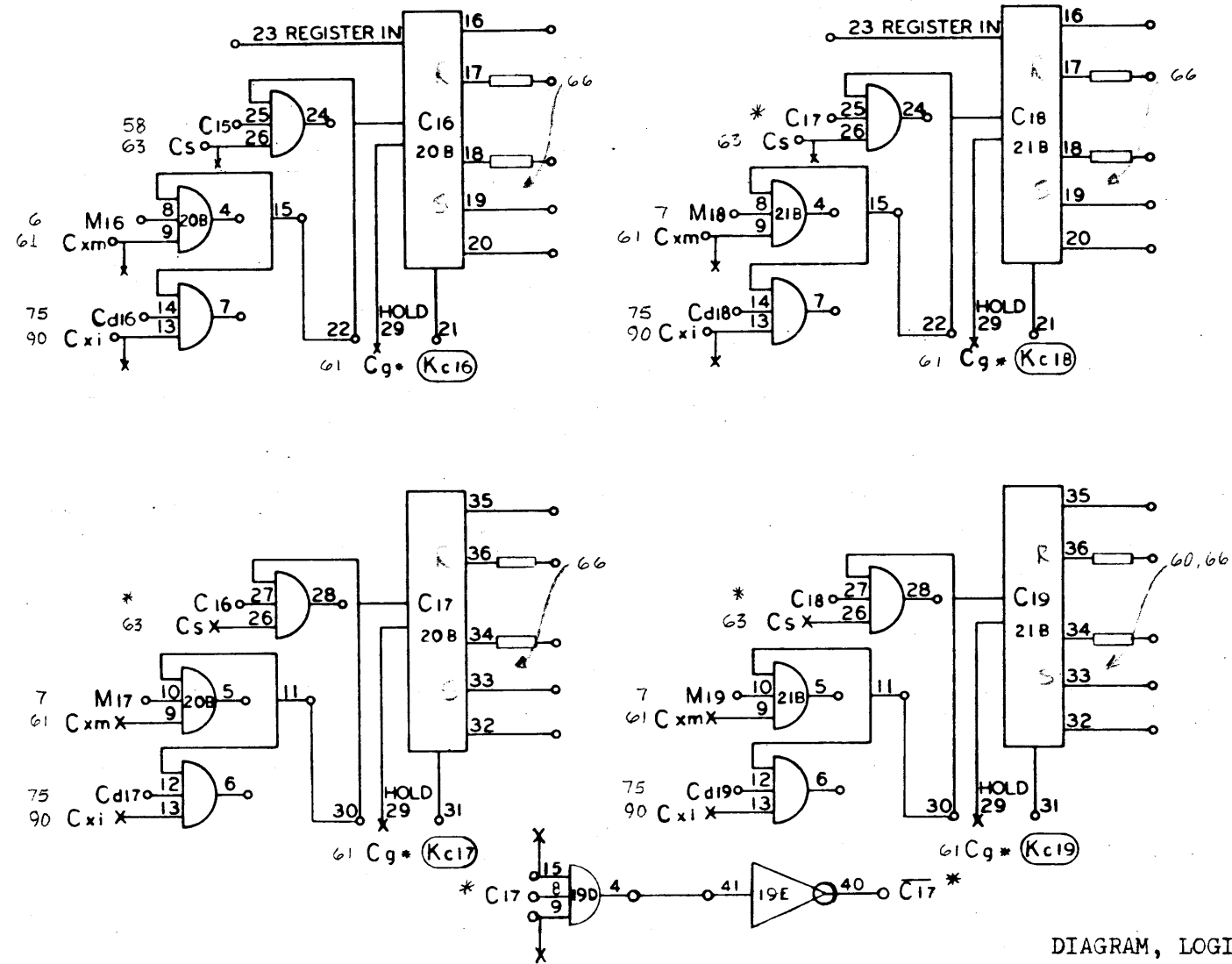


910
PAGE 58
A

| REV | DRAWING NO. | DESCRIPTION | REFERENCE DESIGNATION | ITEM NO. |
|--|-------------|--|-----------------------|----------|
| MATERIAL LIST | | | | |
| NOTES UNLESS SPECIFIED 1. DIMENSIONS ARE IN INCHES 2. BREAK ALL SHARP EDGES AND SPY JOES 3. HATCH SURFACES 4. ALL DIMS IN DIMENS | | | | |
| DRAWN: [Signature] CHECK: [Signature] | | SDS SCIENTIFIC DATA SYSTEMS 1545 FIFTEENTH STREET SANTA MONICA, CALIFORNIA | | |
| APPR: [Signature] | | TITLE DIAGRAM, LOGIC, COMPUTER | | |
| MODEL NO. REV. ABBY. | | SIZE: D DRAW NO.: 101702 | | |
| SCALE: | | DO NOT SCALE DRAWINGS | | |

C12, C12, C13, C13, C14, C14, C15, C15

C REG. HANDLES ALL
MEM DATA



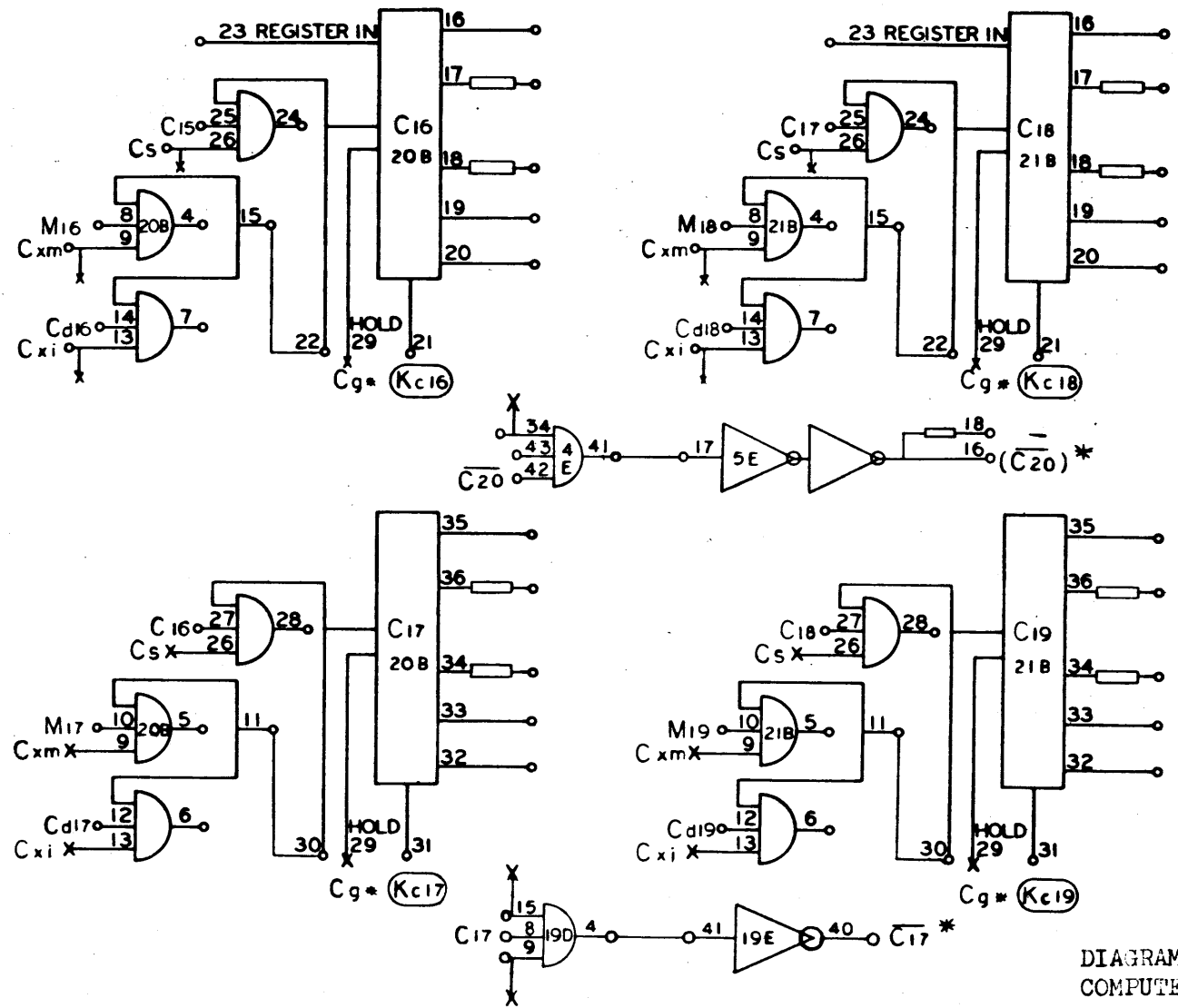
81

DIAGRAM, LOGIC,
COMPUTER DWG. NO. 101702
910
PAGE 59
A

59

$C_{16}, \bar{C}_{16}, C_{17}, \bar{C}_{17}, C_{18}, \bar{C}_{18}, C_{19}, \bar{C}_{19}, \bar{C}_{17}^*$

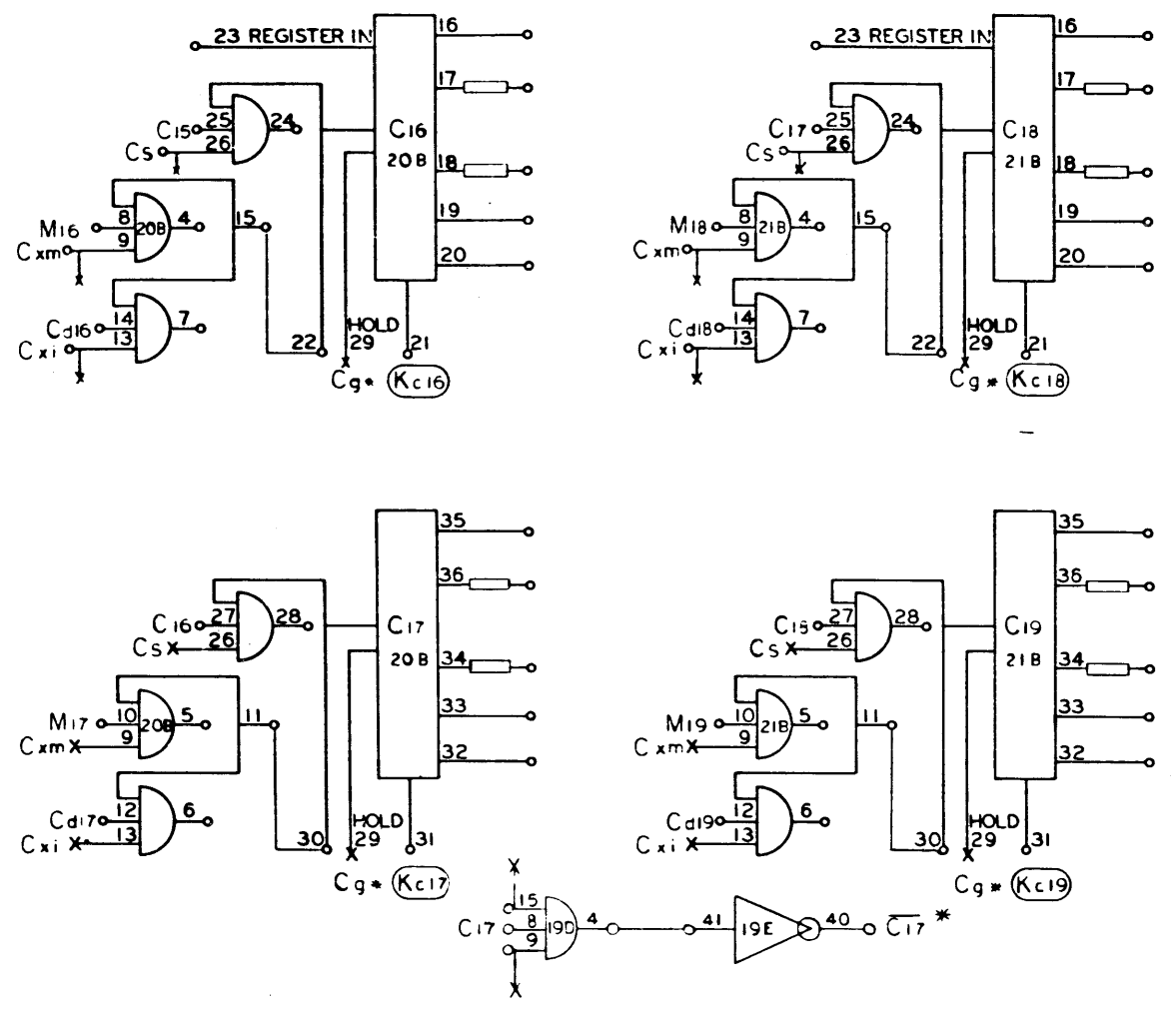
82



DIAGRAM, LOGIC,
COMPUTER DWG. NO. 101702

SEE PREVIOUS PAGE

| REVISIONS | | | |
|-----------|--------------|-----|------|
| REV | DESCRIPTION | CHK | DATE |
| A | REL TO MFG | | |
| D | SEE REV E.O. | | |
| K | SEE REV E.O. | | |



910
PAGE 59
K

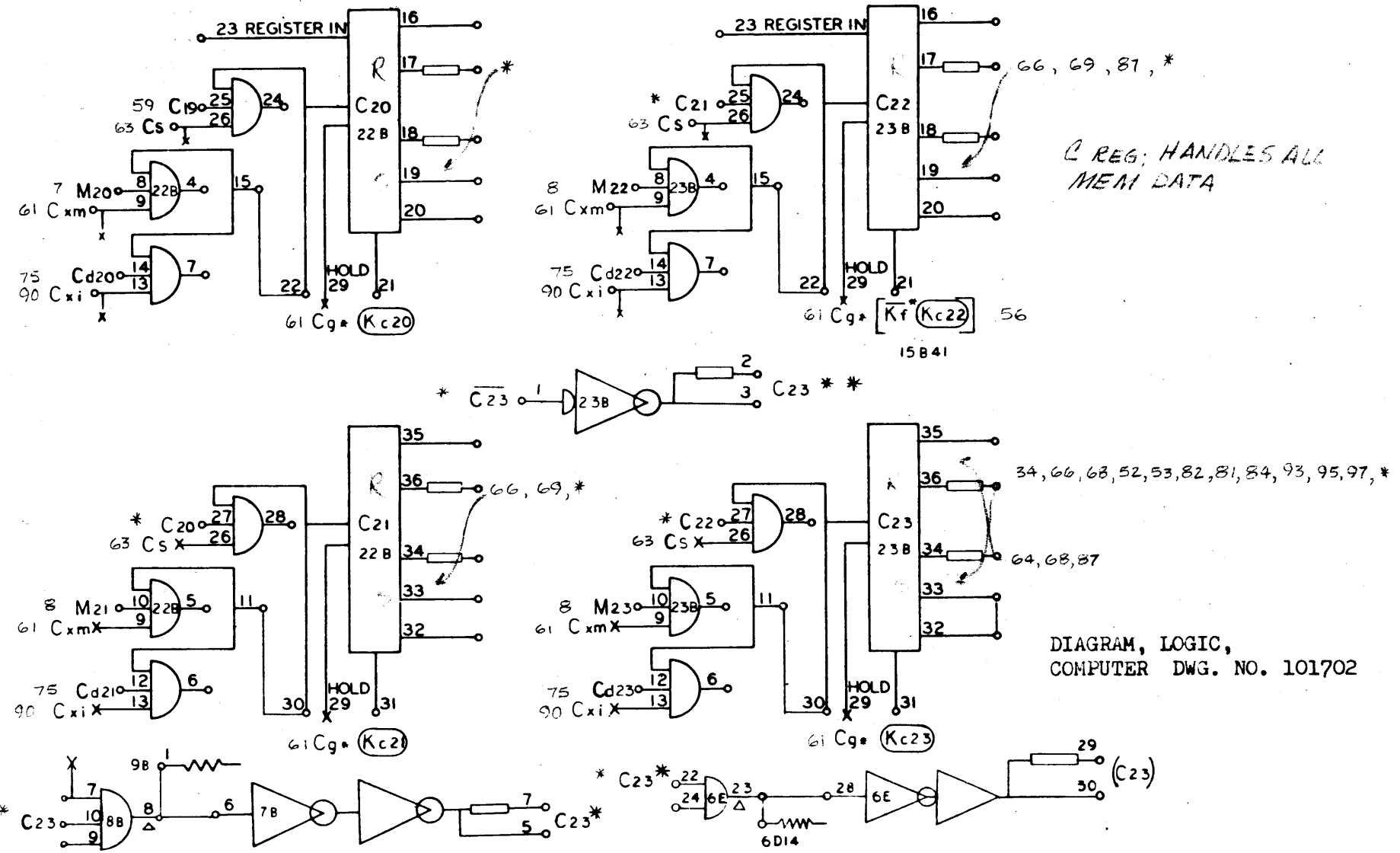
83

101702 K

| NO. REV. | DRAWING NO. | DESCRIPTION | REFERENCE DESIGNATION | ITER NO. |
|---|-------------|---|--|----------------------|
| MATERIAL LIST | | | | |
| NOTES UNLESS SPECIFIED: 1. DIMENSIONS ARE 2.000 ±.005 2. SURFACES ARE TO BE 2.000 ±.005 3. ALL DIMENSIONS ARE TO BE IN INCHES 4. ALL DIMENSIONS ARE TO BE IN INCHES | | DRAWN: [Signature] CHECK: [Signature] APPR: [Signature] | SDS SCIENTIFIC DATA SYSTEMS 152 FIFTEENTH STREET, SANTA MONICA, CALIFORNIA | |
| MODEL NO. NEXT ASSY. | | TITLE DIAGRAM, LOGIC, COMPUTER | | |
| | | SEE DWG NO. D | DWG NO. 101702 | ITER NO. K |
| | | SCALE | DO NOT SCALE DRAWING | SHEET |

SEE PREVIOUS PAGES (2)

84



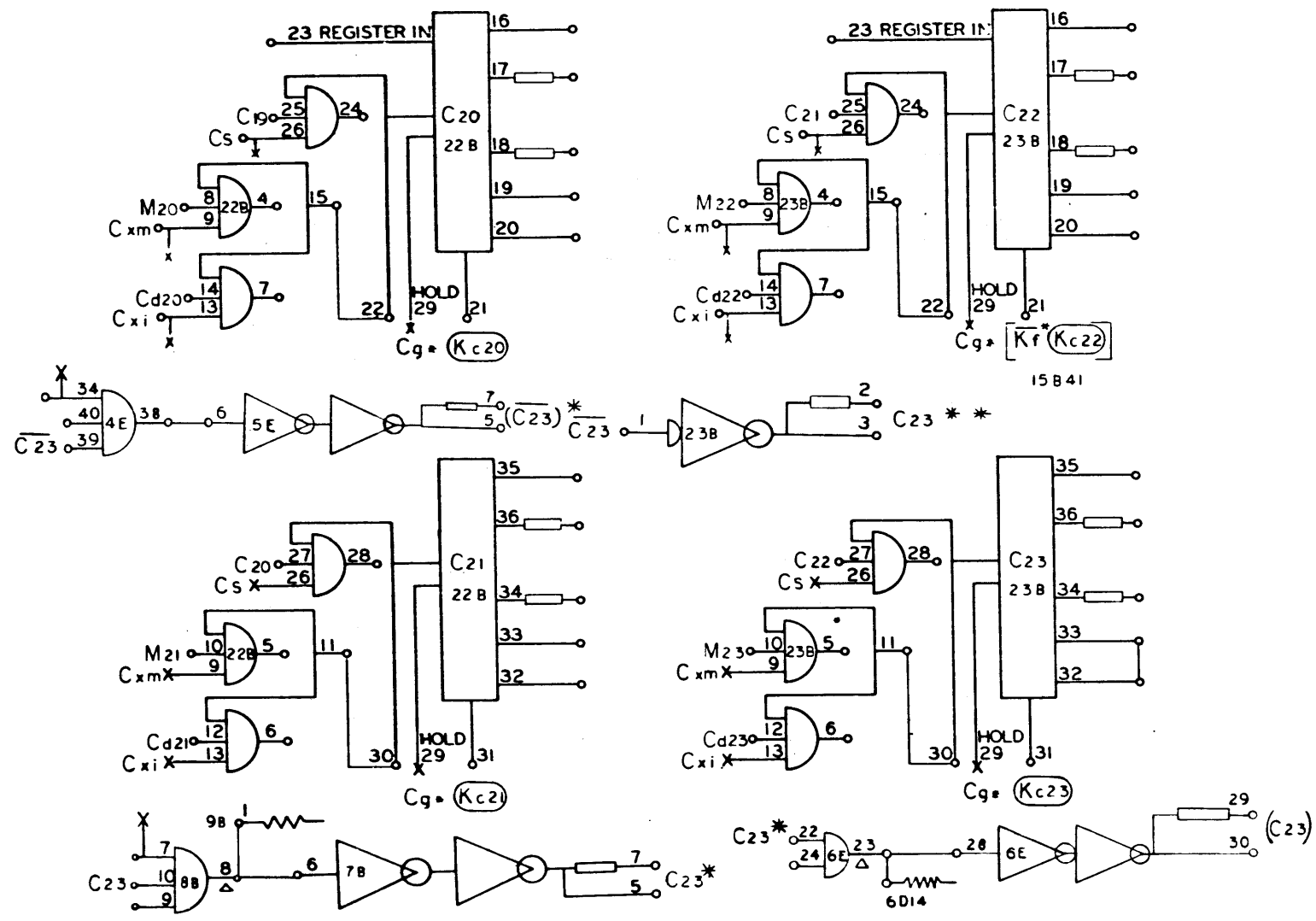
C REG; HANDLES ALL MEM DATA

DIAGRAM, LOGIC, COMPUTER DWG. NO. 101702

910 PAGE 60 A

C20, C20, C21, C21, C22, C22, C23, C23, C23**, C23*, (C23)

| REVISIONS | | | 01702 D | |
|-----------|--------------|-----|---------|----------|
| REV | DESCRIPTION | CHK | DATE | APPROVED |
| A | REL TO MFG | | | |
| D | SEE REV E.O. | | | |



910
PAGE 60
D

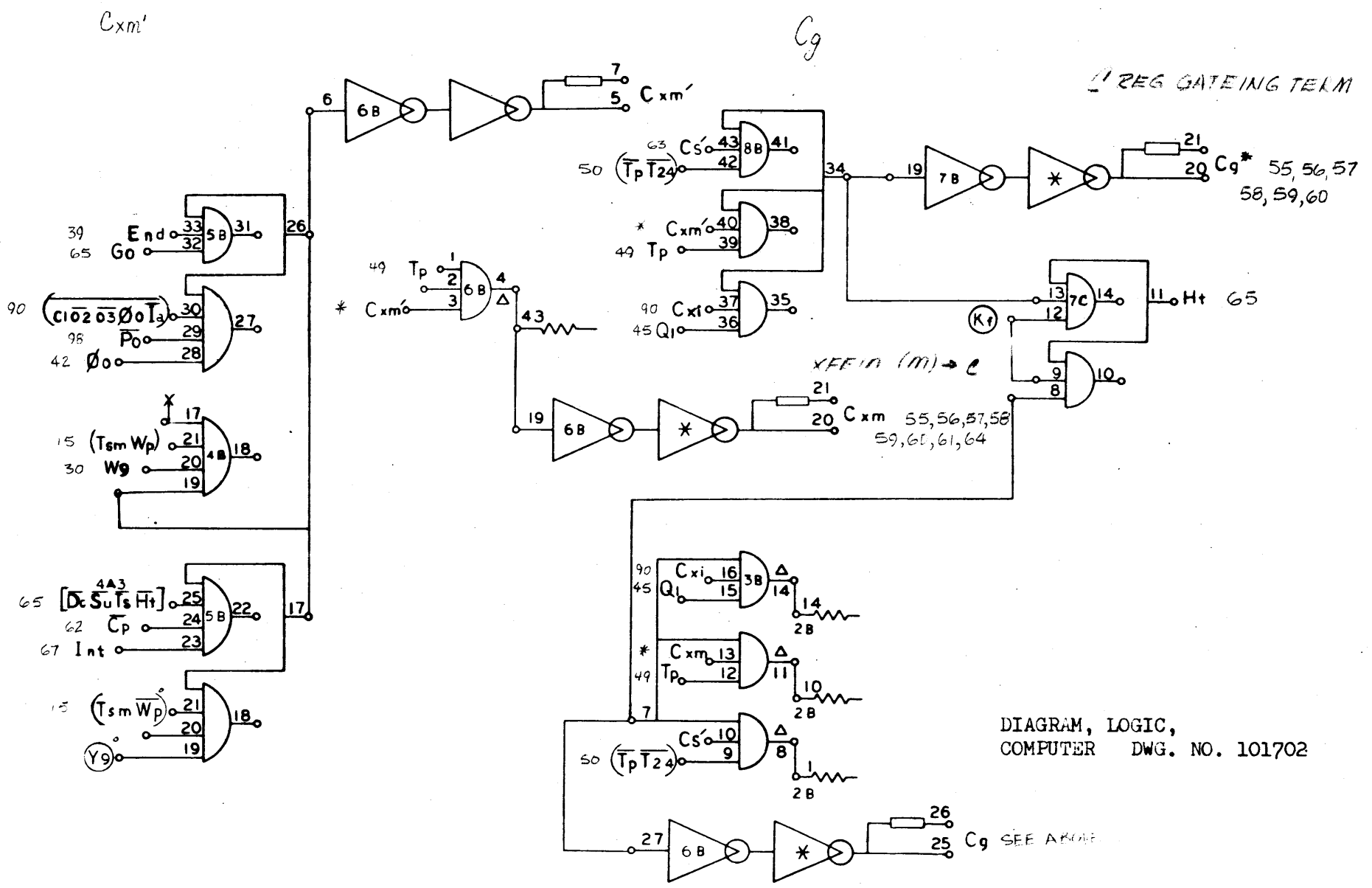
85

101702 D

| NO. REQ. | DRAWING NO. | DESCRIPTION | REFERENCE DESIGNATION | ITEM NO. |
|--|-------------|-----------------------------|-----------------------|--|
| MATERIAL LIST | | | | |
| NOTES UNLESS SPECIFIED | | DRAWN: <i>L.B.</i> | DATE: <i>9-2-67</i> | SDS FORNENT-70 DATA SYSTEMS 1540 FIFTEENTH STREET SANTA MONICA, CALIFORNIA |
| 1. TOLERANCES .05 ± .030 ANGULAR .005 ± .010 2. BREAK ALL SHARP EDGES 3. HIDE SURFACE 4. ALL P.T.S. TO BE SHOWN | | CHECKED: <i>A.H.</i> | DATE: <i>10-1-67</i> | |
| | | APPR: <i>[Signature]</i> | DATE: <i>10-1-67</i> | TITLE |
| | | DIAGRAM, LOGIC, COMPUTER | | |
| MODEL NO. | | REV: D | | DWG NO. 101702 |
| NEXT ASSY. | | SCALE | | DO NOT SCALE DRAWINGS SHEET |

SEE PREVIOUS PAGE

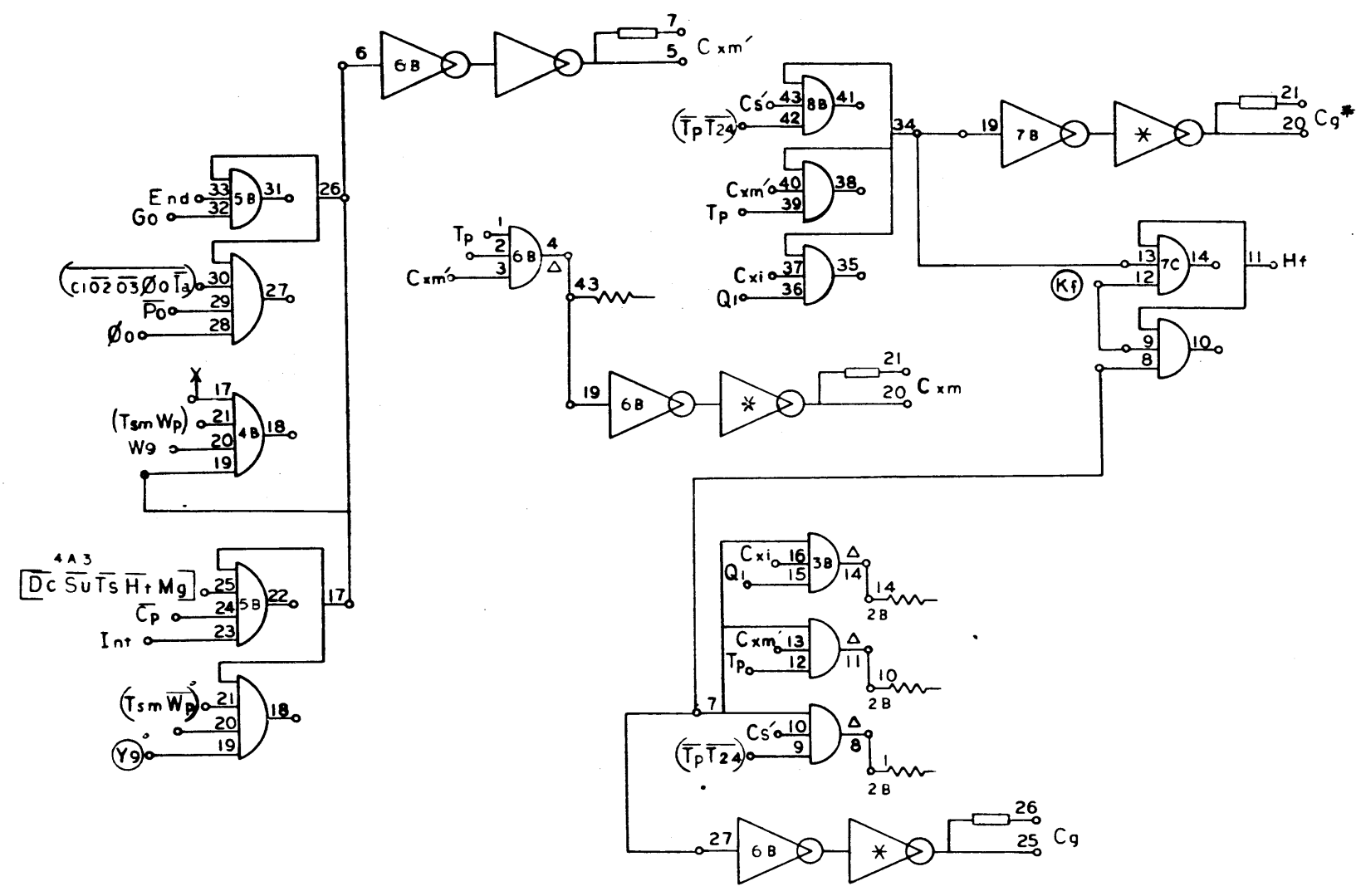
86



DIAGRAM, LOGIC, COMPUTER DWG. NO. 101702

C_{xm}' , C_{xm} , C_g , C_g^* , H_t

| REVISIONS | | | |
|-----------|--------------|-----|------|
| REV | DESCRIPTION | CHE | DATE |
| A | REL TO MFG | | |
| D | SEE REV E.O. | | |



910
PAGE 61
D

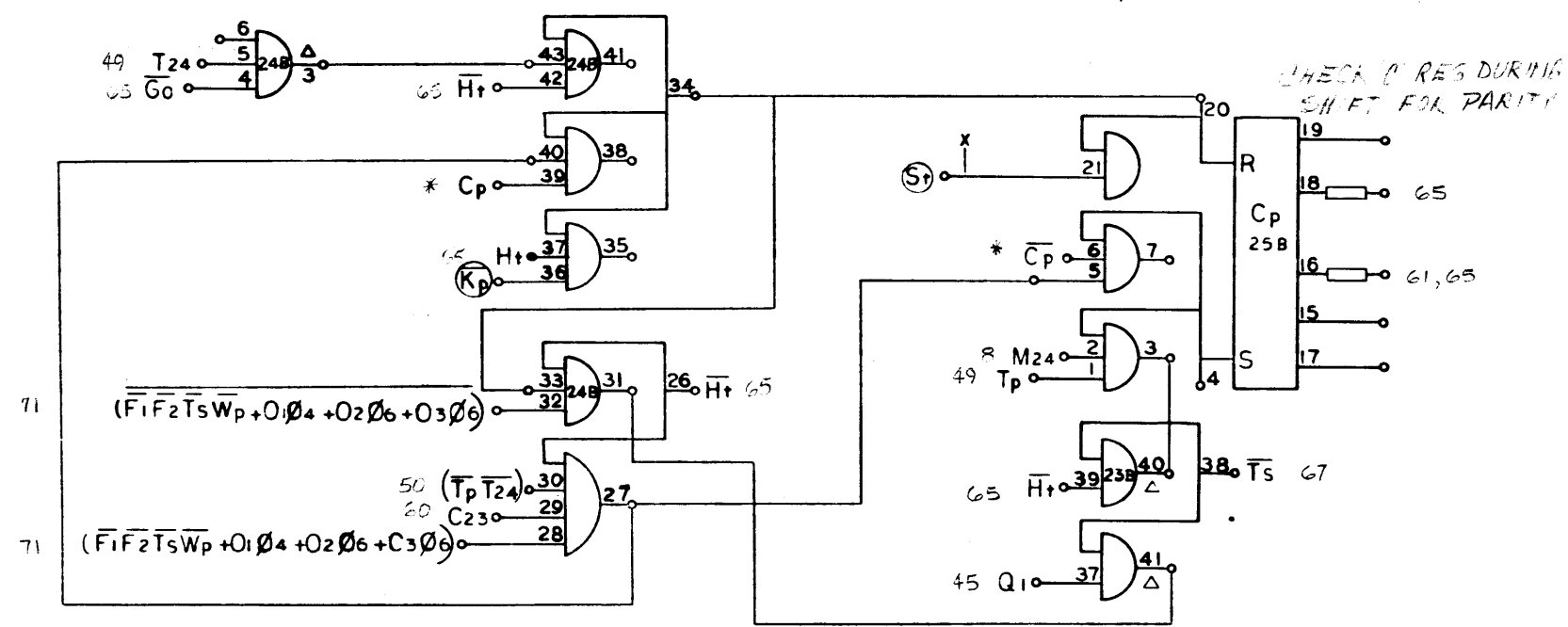
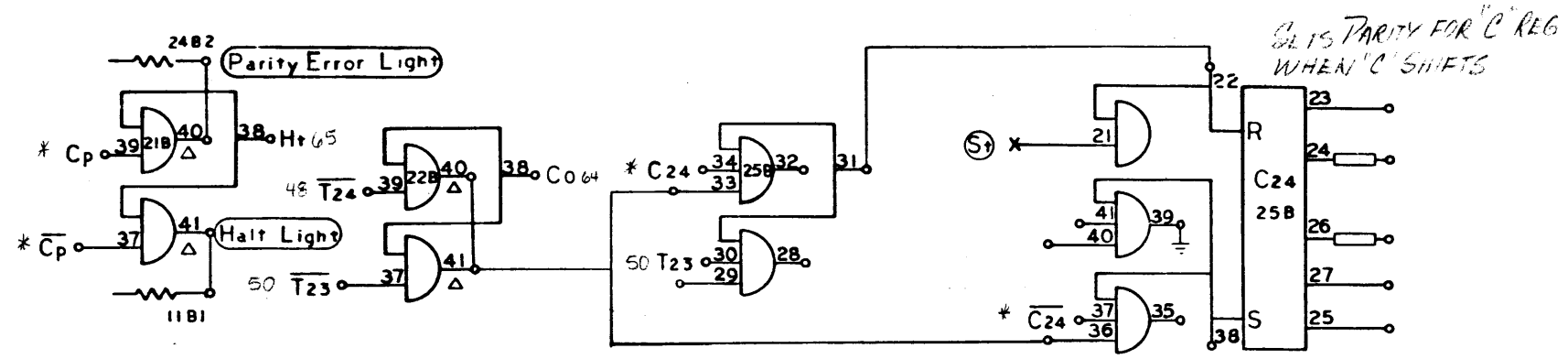
87

101702 D

| NO. REQ | DRAWING NO. | DESCRIPTION | REFERENCE DESIGNATION | ITEM NO. |
|--|-------------|----------------------------|-----------------------|----------|
| NOTES UNLESS SPECIFIED | | | | |
| 1. TOLERANCES UNLESS SPECIFIED | | DRYIN | | |
| 2. BREAK ALL SHARP EDGES | | CHECK | | |
| 3. BACK L APFACES | | APPR. | | |
| 4. ALL DIM. IN INCHES | | | | |
| MATERIAL LIST | | | | |
| | | | | |
| TITLE: DIAGRAM, LOGIC, COMPUTER | | | | |
| MODEL NO. | | SIZE | DWG NO. | |
| | | D | 101702 | |
| NEXT ASSY. | | SCALE | | |
| | | DO NOT SCALE DRAWING SHEET | | |

SEE PREVIOUS PAGE

| REVISIONS | | | | 101702 |
|-----------|-------------|------|---------|----------|
| REV. | DESCRIPTION | CHK. | DATE | APPROVED |
| A | REL TO MFG | JW | 10/1/62 | |



88

910
PAGE 62
A

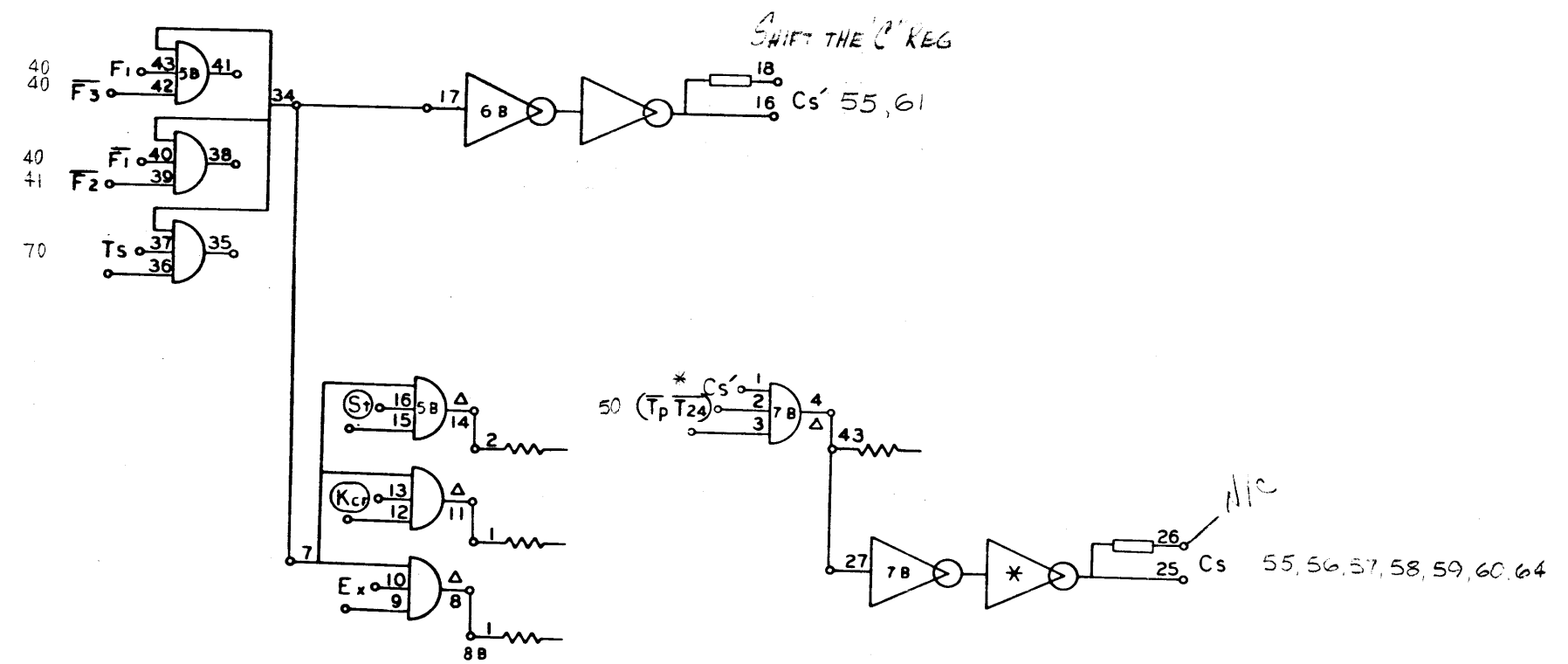
| NO. REQ. | DRAWING NO. | DESCRIPTION | REFERENCE DESIGNATION | ITEM NO. |
|---------------------------------------|-------------|--|-----------------------|----------|
| MATERIAL LIST | | | | |
| NOTES UNLESS SPECIFIED | | DRAWN | CHKD | DATE |
| 1. TOLERANCES UNLESS SPECIFIED | | CHECK | DATE | |
| 2. BREAK ALL SHARP EDGES 3/16 APPROX. | | APPR. | | |
| 3. HATCH SURFACES | | | | |
| 4. ALL DIM. IN INCHES | | | | |
| MODEL NO. | | SDS COMMUTYPE DATA SYSTEMS 1542 FIFTEENTH STREET SANTA MONICA, CALIFORNIA | | |
| NEXT ASSY. | | TITLE DIAGRAM, LOGIC, COMPUTER | | |
| | | SIZE | DWG NO. | |
| | | D | 101702 | |
| | | SCALE | DO NOT SCALE DRAWING | SHEET |

C24, C24, Cp, Cp

62

101702 A

| REVISIONS | | | | |
|-----------|-------------|-----|------|----------|
| REV | DESCRIPTION | CHK | DATE | APPROVED |
| A | REL TO MFG | | | |



89

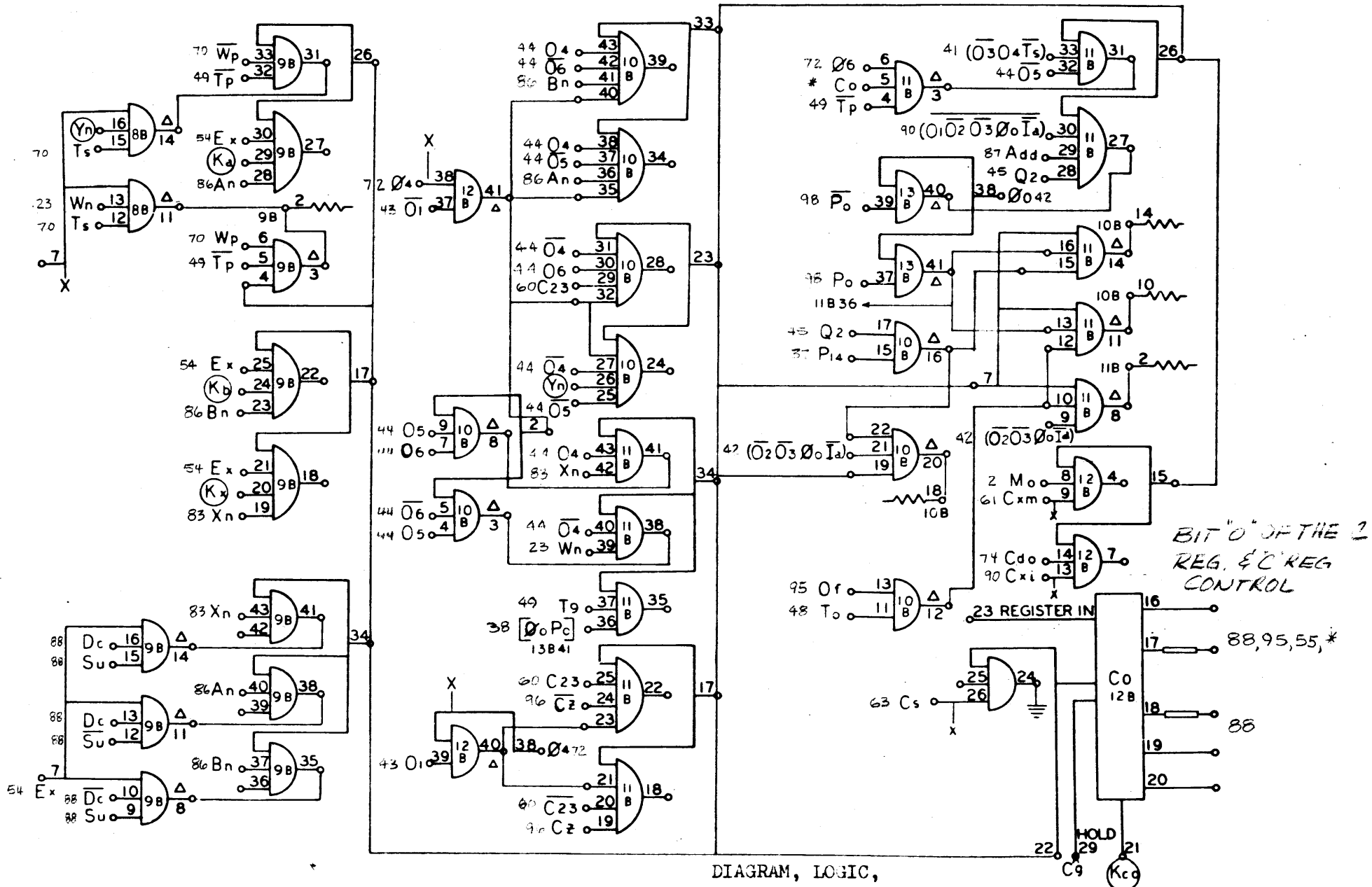
101702 | A

910
PAGE 63
A

| NO. REV. | DRAWING NO. | DESCRIPTION | REFERENCE DESIGNATION | ITER. NO. |
|--|-------------|----------------------------------|---|-----------|
| NOTES UNLESS SPECIFIED | | | | |
| 1. TOLERANCES DIM 2.000 ANGULAR 2.0° DIM 2.010 | | DRAWN <i>[Signature]</i> 9-20-62 | MATERIAL LIST | |
| 2. BREAK ALL SHARP EDGES AND NOTCHES | | CHECK <i>[Signature]</i> 9-20-62 | SDS SCIENTIFIC DATA SYSTEMS 1342 FIFTEENTH STREET SANTA MONICA, CALIFORNIA | |
| 3. HATCH SURFACES | | APPR. <i>[Signature]</i> 9-20-62 | TITLE DIAGRAM, LOGIC, COMPUTER | |
| 4. ALL DIM IN INCHES | | | MODEL NO. | |
| | | | SIZE D DWG NO. 101702 | |
| | | | NEXT ASSY. | |
| | | | SCALE DO NOT SCALE DRAWING | |

63 Cs, Cs'

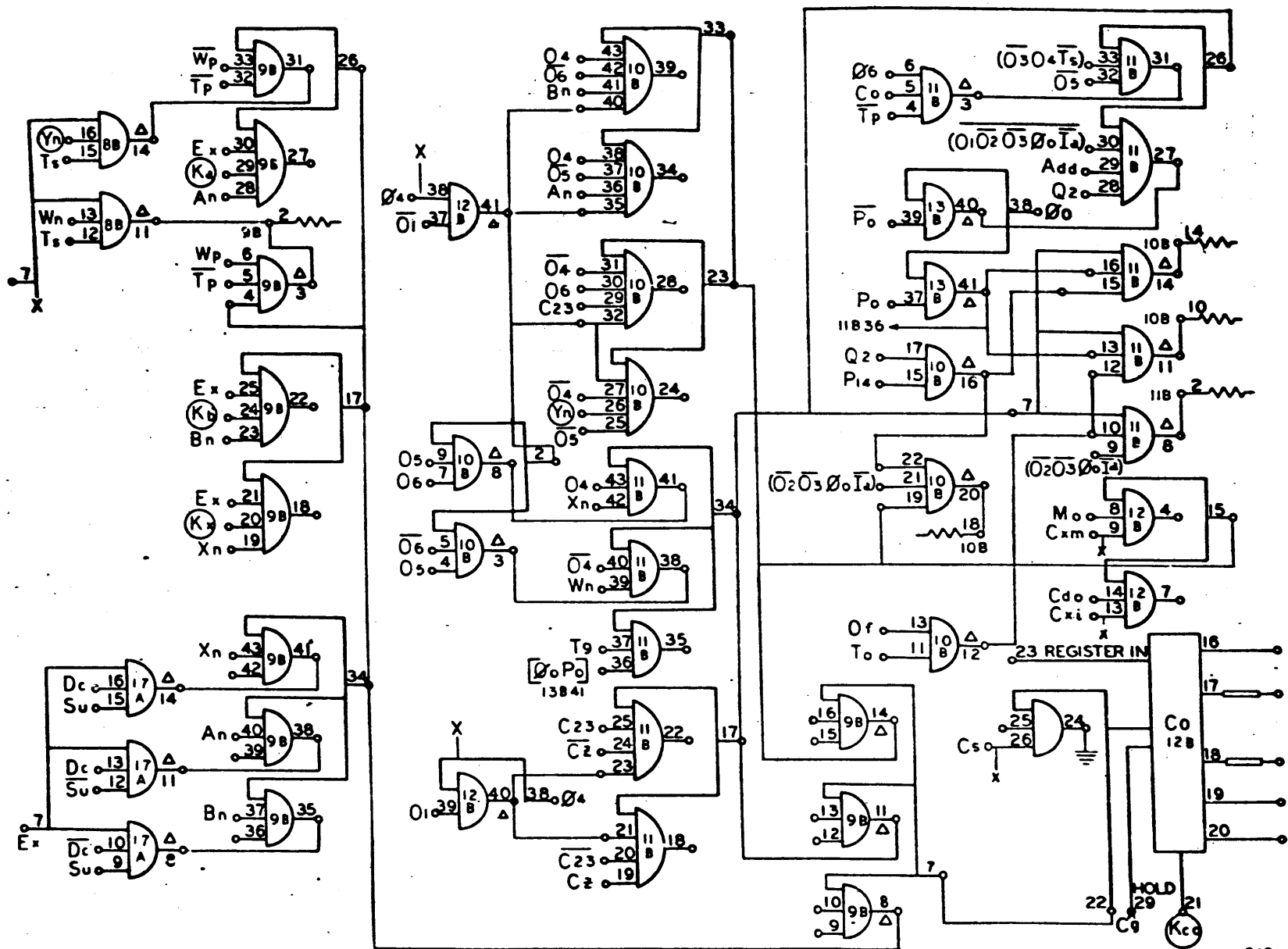
90



DIAGRAM, LOGIC, COMPUTER DWG. NO. 101702

Co, C0 64

| REVISIONS | | C 22 1 B |
|-----------|---------------|----------|
| REV | DESCRIPTION | CHK DATE |
| A | REL TO 156 | |
| B | SEE REV. E.O. | |



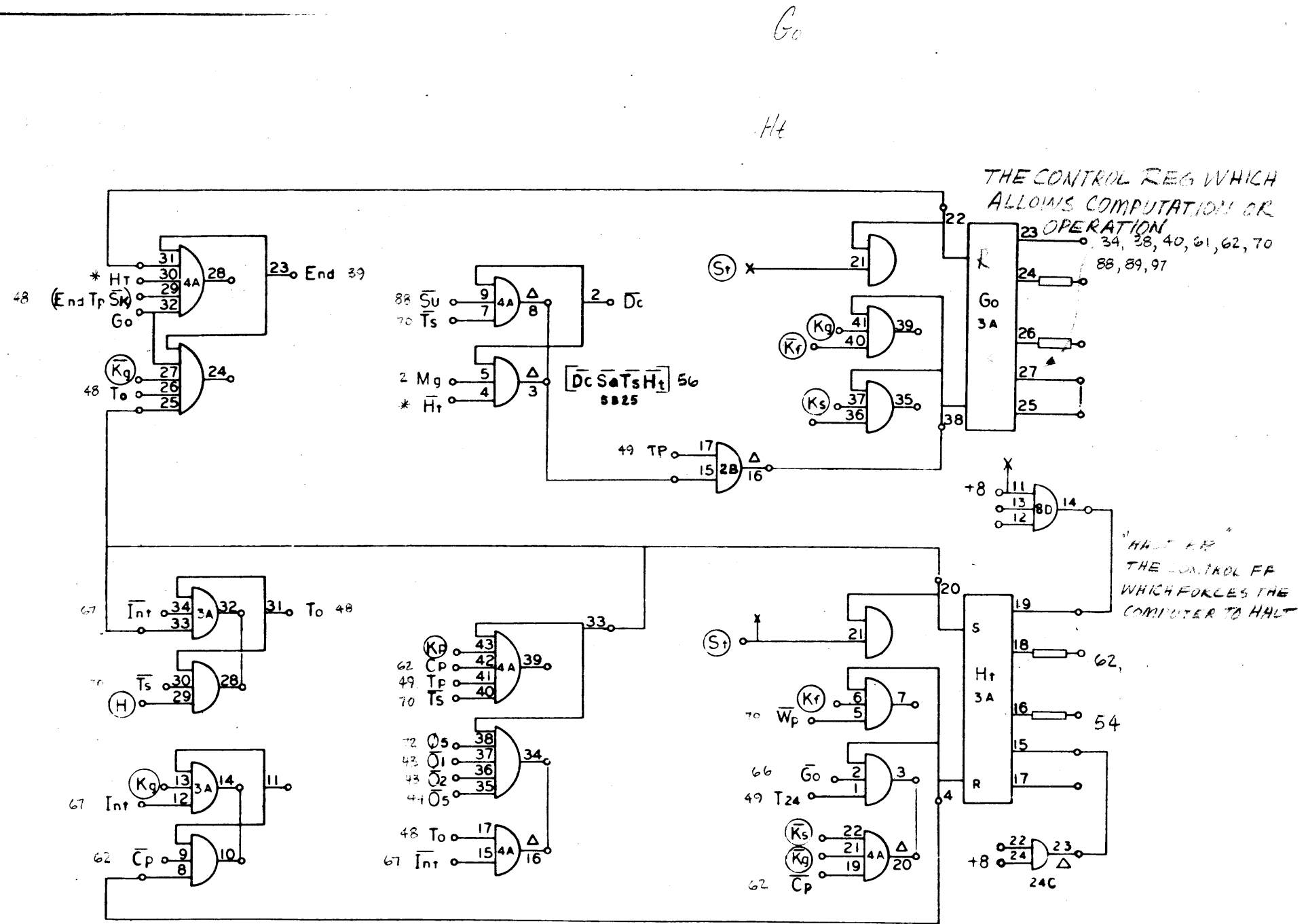
910
PAGE 64
B

91

SEE PREVIOUS PAGE

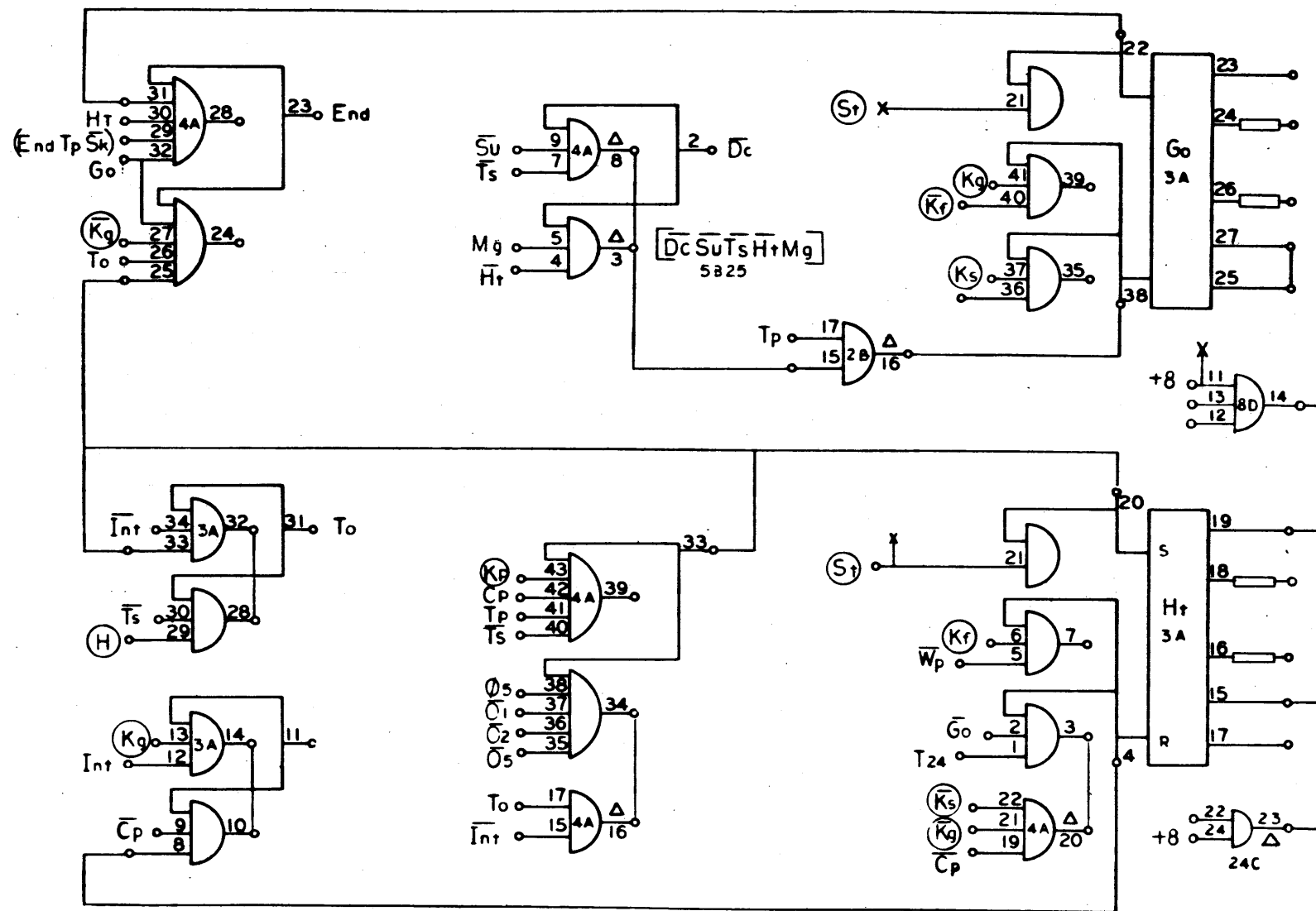
| NO. REV. | DRAWING NO. | DESCRIPTION | REFERENCE DESIGNATION | FIG. NO. |
|---------------------------------|-------------|-------------|--|----------|
| MATERIAL LIST | | | | |
| NOTES UNLESS SPECIFIED: | | | | |
| 1. TOLERANCES UNLESS SPECIFIED: | DRAWN | CHKD | TITLE | |
| 2. DIMENSIONS UNLESS SPECIFIED: | CHECK | DATE | SDS SCIENTIFIC DATA SYSTEMS 1400 FORTY-THIRD STREET, SANTA MONICA, CALIFORNIA | |
| 3. MARK DIMENSIONS | APPD. | DATE | | |
| DIAGRAM, LOGIC, COMPUTER | | | MODEL NO. | REV. NO. |
| | | | D | 101702 |
| | | | SCALE | SHEET |
| | | | DO NOT SCALE DRAWING | B |

92



DIAGRAM, LOGIC,
COMPUTER DWG. NO. 101702

$[\overline{Dc} \overline{Su} \overline{Ts} \overline{Ht}]$, Go , \overline{Go} , Ht , \overline{Ht}



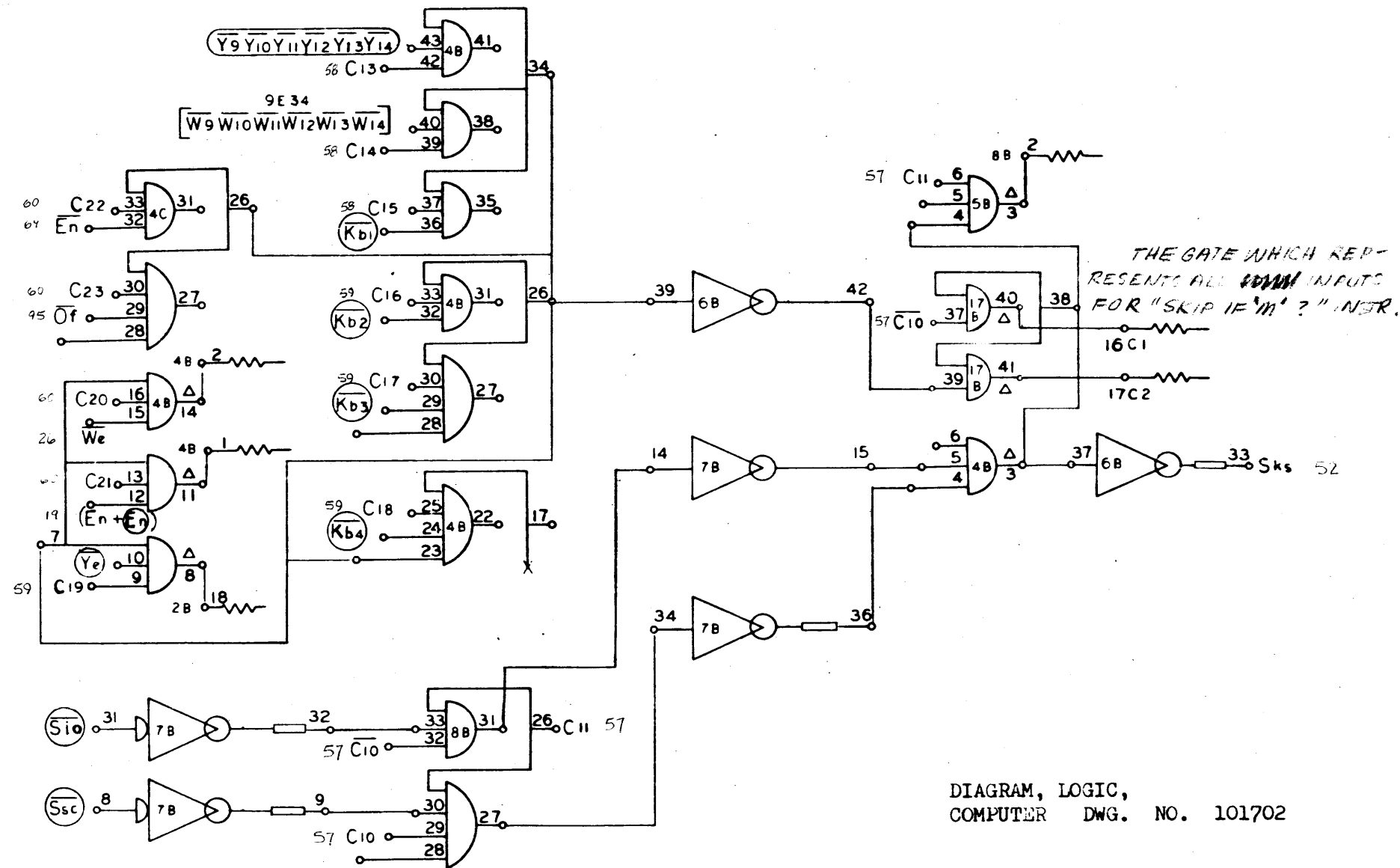
DIAGRAM, LOGIC,
COMPUTER DWG. NO. 101702

910
PAGE 65
D

93

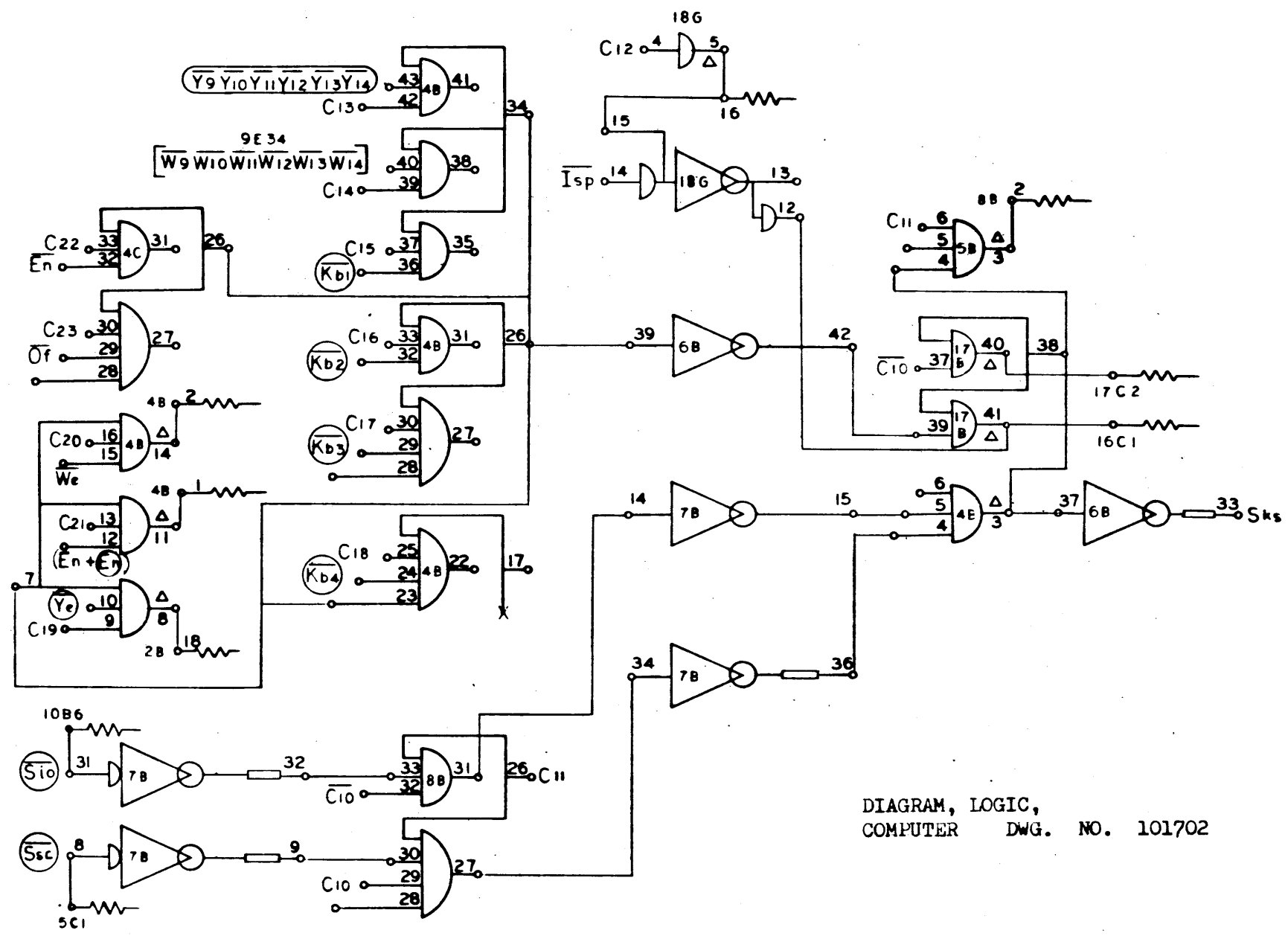
SEE PREVIOUS PG.

94



DIAGRAM, LOGIC,
COMPUTER DWG. NO. 101702

305, 86

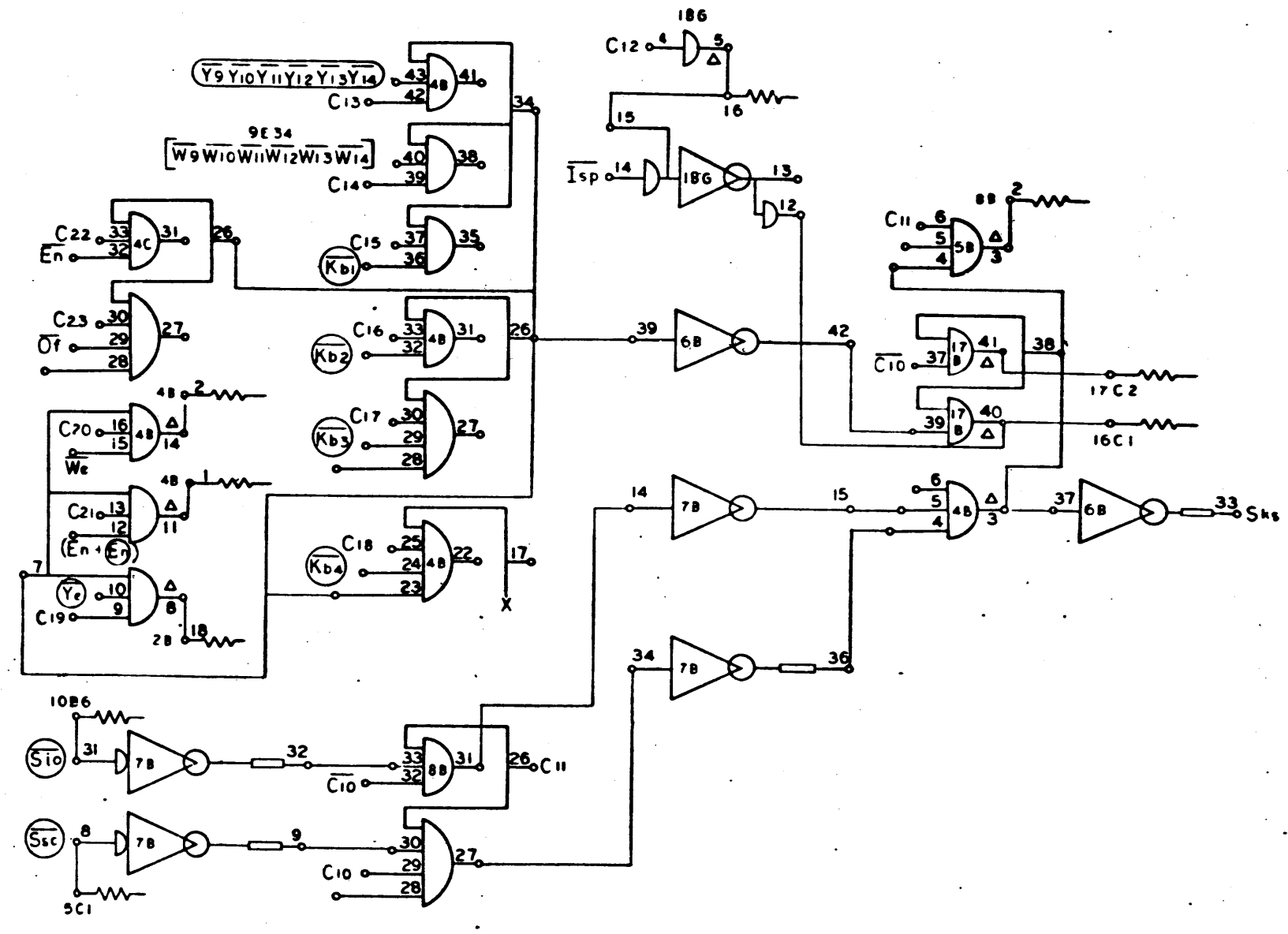


DIAGRAM, LOGIC,
COMPUTER DWG. NO. 101702

95

SEE PREVIOUS PAGE

| REV | DESCRIPTION | CHK | DATE | APPROVED |
|-----|--------------|-----|------|----------|
| 1 | REL TO MFG | | | |
| 2 | SEE REV E.O. | | | |
| 3 | SEE REV E.O. | | | |

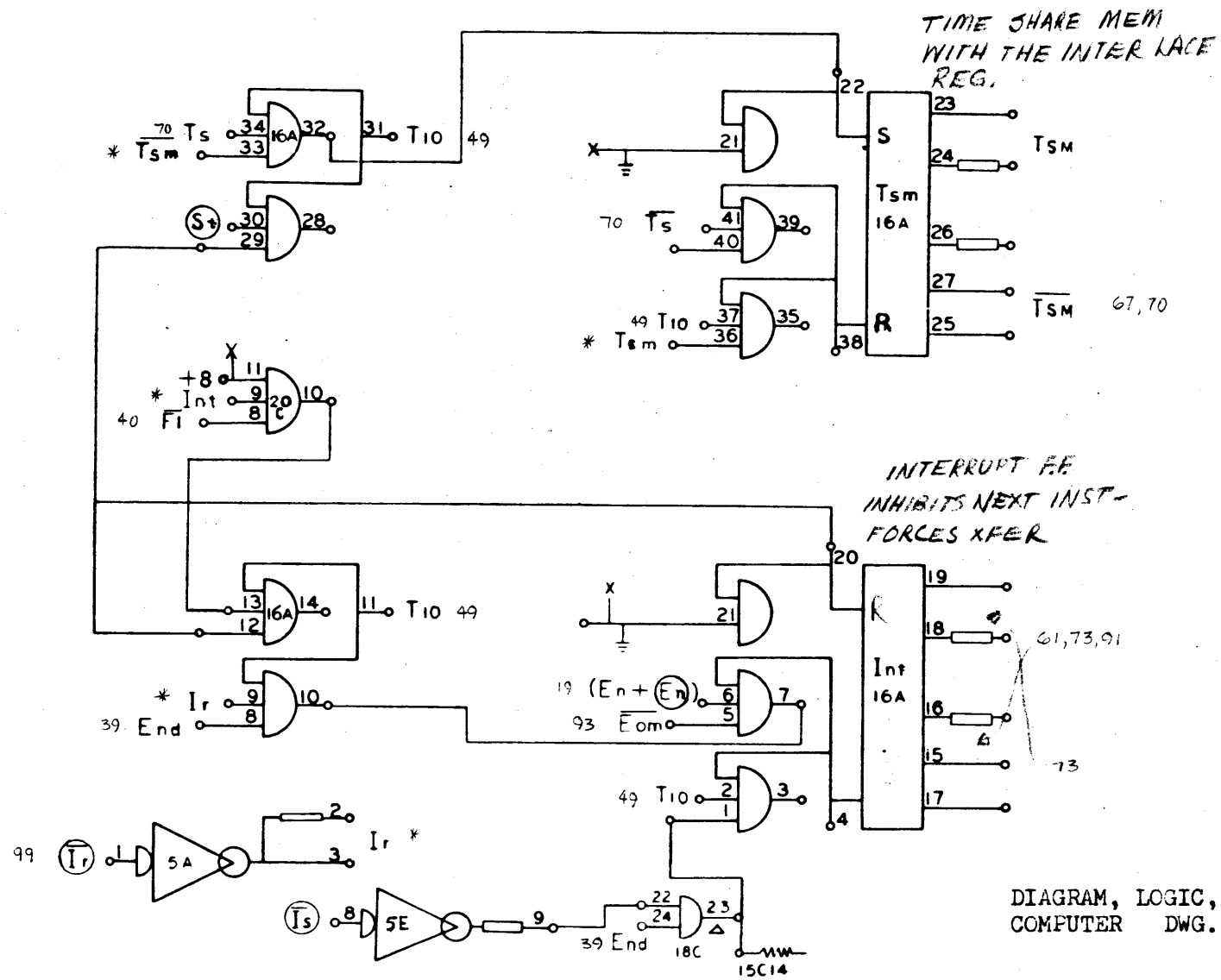


96

910
PAGE 66
G

| NO | DRAWING NO | DESCRIPTION | REFERENCE DESIGNATION | REV |
|------------------------|----------------|----------------------------|-----------------------|-----|
| NOTES UNLESS SPECIFIED | | | | |
| 1 | TOLERANCES | UNLESS OTHERWISE SPECIFIED | | |
| 2 | ALL DIMENSIONS | UNLESS OTHERWISE SPECIFIED | | |
| 3 | ALL DIMENSIONS | UNLESS OTHERWISE SPECIFIED | | |
| 4 | ALL DIMENSIONS | UNLESS OTHERWISE SPECIFIED | | |
| MODEL NO | | DWG NO | 101702 | |
| NEXT ASSY | | DO NOT SCALE DRAWING SHEET | | |

SEE PREVIOUS PAGES

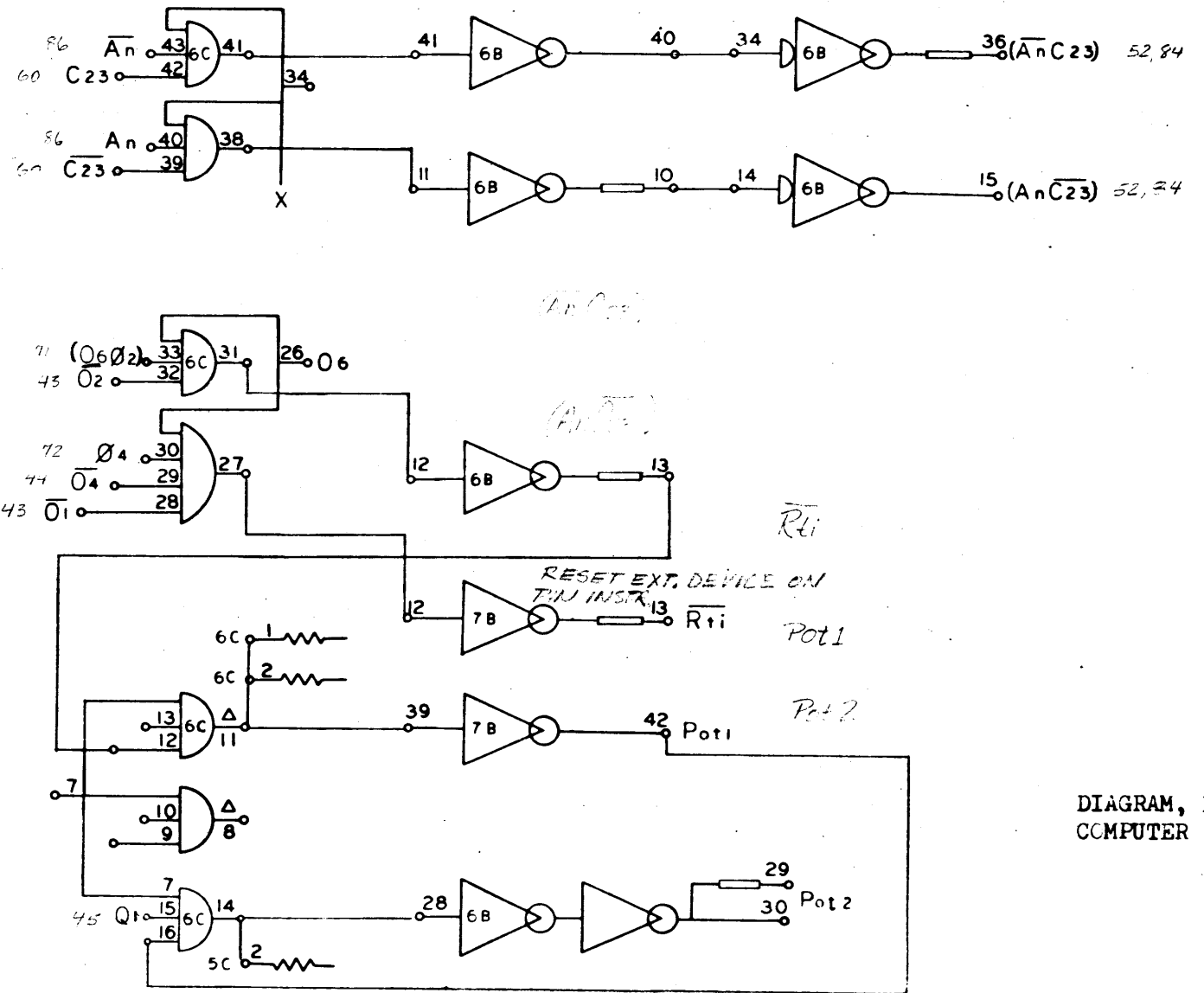


97

67 I_r , T_{sm} , $\overline{T_{sm}}$, Int , \overline{Int}

913
PAGE 67
A

98

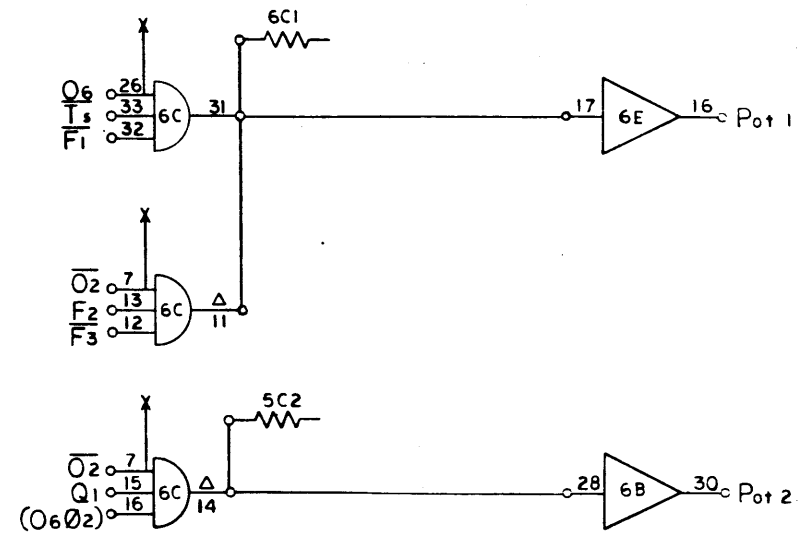
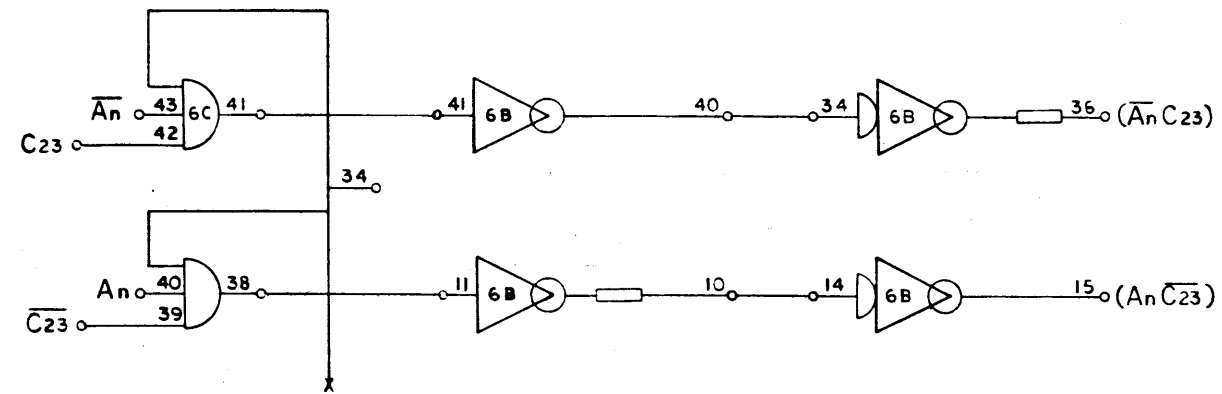


DIAGRAM, LOGIC
COMPUTER DWG. NO. 101702

(AnC23), (AnC23), Rti, Pot1, Pot2,

68

| REVISIONS | | | | 101702 | J |
|-----------|--------------------------------|------|------|----------|---|
| REV. | DESCRIPTION | CHK. | DATE | APPROVED | |
| A | RELEASED TO MFG | | | | |
| J | REVISED & REDRAWN SEE REV E.O. | | | | |



910
PAGE 68
J

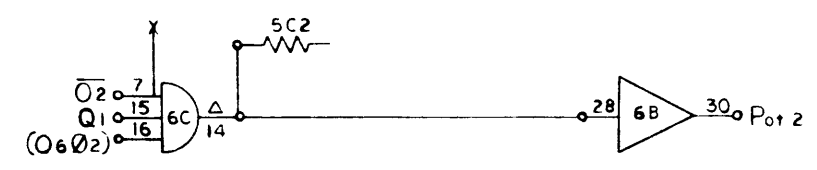
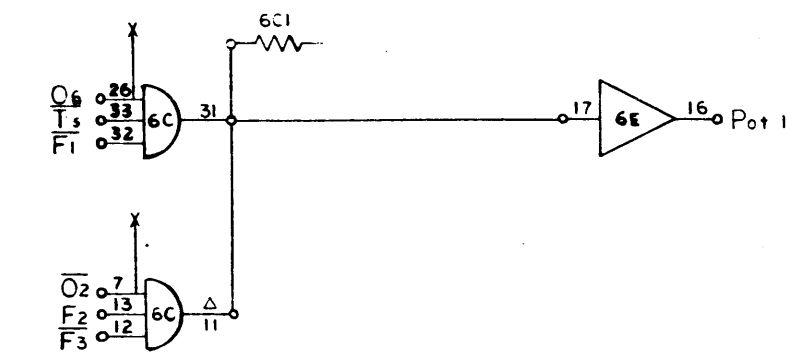
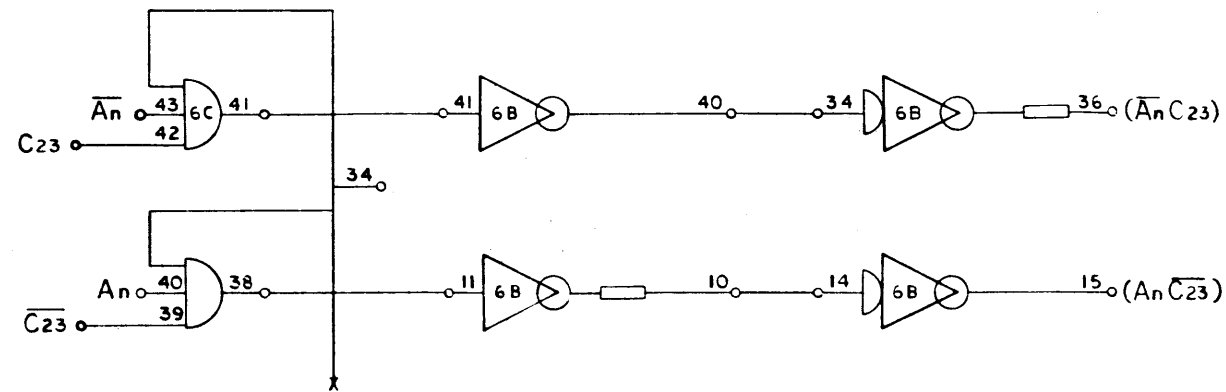
99

101702 J

| NO. REV. | DRAWING NO. | DESCRIPTION | REFERENCE DESIGNATION | ITEM NO. |
|---|-------------|-------------------------------|---|----------|
| MATERIAL LIST | | | | |
| NOTES UNLESS SPECIFIED | | DRAWN: RICHARD KRUEGER 6-9-64 | SDS SCIENTIFIC DATA SYSTEMS 1542 FIFTEENTH STREET, SANTA MONICA, CALIFORNIA | |
| 1. TOLERANCES JE 2.00 ANGULAR JEE 2.00 2 1/2° | | CHECK: [Signature] 6-8-64 | TITLE DIAGRAM, LOGIC COMPUTER | |
| 2. BREAK ALL SHARP EDGES AND APICES | | APPR. | | |
| 3. BACK SURFACE ✓ | | | | |
| 4. ALL DIM. IN INCHES | | | | |
| MODEL NO. | 910 | REV. | DWG. NO. | J |
| NEXT ASSY. | | D | 101702 | |
| | | SCALE | DO NOT SCALE DRAWING | SHEET |

SEE PREVIOUS PAGE

| REVISIONS | | | | 101702 |
|-----------|--------------------------------|-----|------|----------|
| REV | DESCRIPTION | CHK | DATE | APPROVED |
| A | RELEASED TO MFG | | | |
| J | REVISED & REDRAWN SEE REV E.O. | | | |
| R | SEE REV E.C. | | | |

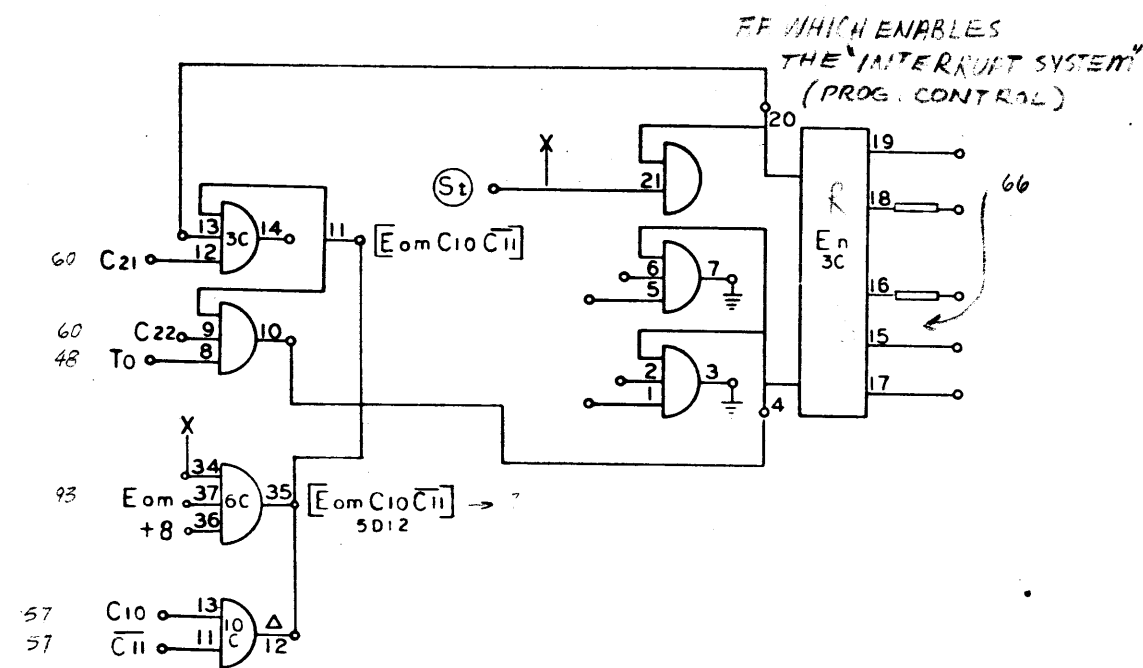


910
PAGE 66
R

| NO. REV. | DRAWING NO. | DESCRIPTION | REFERENCE DESIGNATION | ITEM NO. |
|---|-------------|---|---|----------|
| NOTES UNLESS SPECIFIED | | MATERIAL LIST | | |
| 1. TOLERANCE 2. BREAK ALL SHARP EDGES 3. BACK SURFACES 4. ALL DIM. IN INCHES | | DRAWN: [Signature] CHECK: [Signature] APPR: [Signature] | SDS SCIENTIFIC DATA SYSTEMS 1542 FIFTEENTH STREET, SANTA MONICA, CALIFORNIA | |
| MODEL NO. 910 | | TITLE: DIAGRAM LOGIC COMPUTER | | |
| NEXT ASSY. | | SIZE: D | DWG NO. 101702 | SHEET: 2 |
| SCALE | | DO NOT SCALE DRAWING | | |

SEE PREVIOUS PAGE

| REV. | | DESCRIPTION | | CHK. | DATE | APPROV'D. |
|------|--|-------------|--|------|------|-----------|
| A | | REL TO MFG | | | | |



910
PAGE 69
A

| NO. REQ. | DRAWING NO. | DESCRIPTION | REFERENCE DESIGNATION | ITEM NO. |
|---|-------------|-------------|-----------------------|---|
| MATERIAL LIST | | | | |
| NOTES UNLESS SPECIFIED | | DRAWN | 9-23-62 | SDS SCIENTIFIC DATA SYSTEMS 1825 FIFTEENTH STREET SANTA MONICA CALIFORNIA TITLE DIAGRAM, LOGIC, COMPUTER |
| 1. TOLERANCES DIM ± 0.00 ANGULAR DIM ± 0.1° | | CHECK | 11/1/62 | |
| 2. BREAK ALL SHARP EDGES 3/16 APPROX. 3. BACK SURFACES 4. ALL DIM. IN INCHES | | APPR. | 5/1/62 | |
| MODEL NO. | | SIZE | DWG NO. | A |
| NEXT ASSY | | SCALE | D | 101702 |
| | | | DO NOT SCALE DRAWING | SHEET |

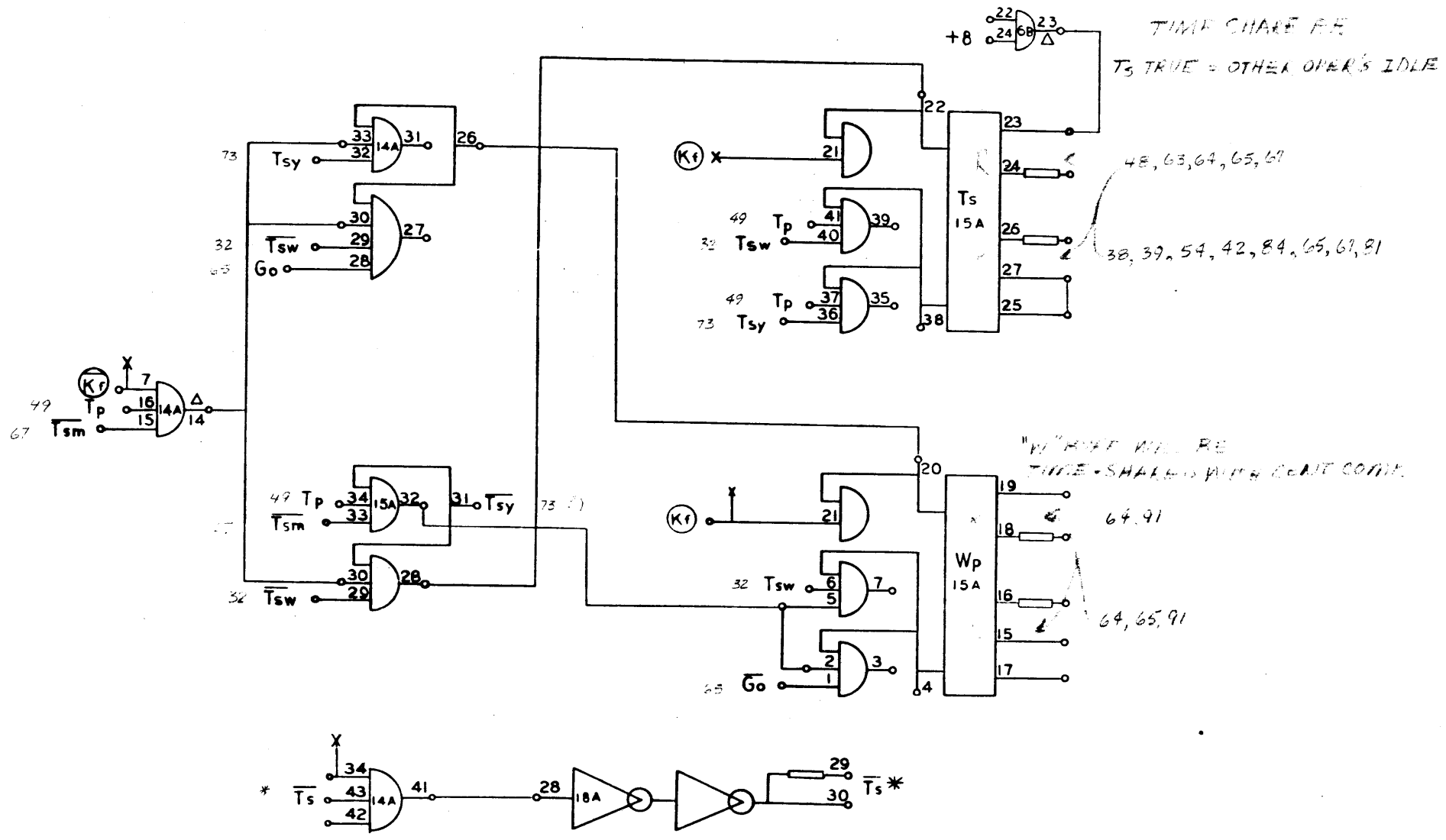
69

$E_n, \bar{E}_n, [E_{om} C_{10} \bar{C}_{11}]$

101

101702/A

| REVISIONS | | | | 101702 | A |
|-----------|-------------|-----|------|----------|---|
| REV | DESCRIPTION | CHK | DATE | APPROVED | |
| A | REL TO MFG | | | | |



102

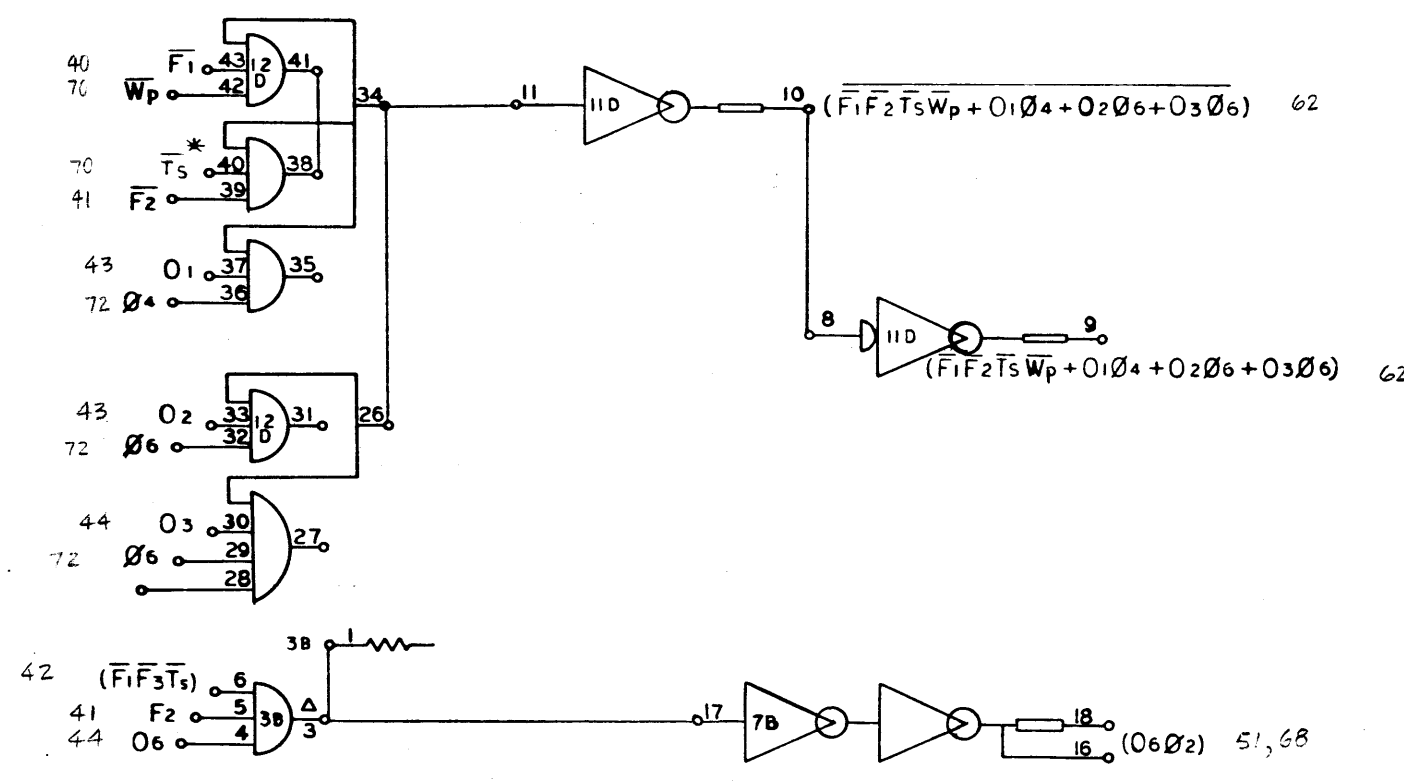
910
PAGE 70
A

| NO. REV. | DRAWING NO. | DESCRIPTION | REFERENCE DESIGNATION | ITEM NO. |
|---|------------------|--|--|----------|
| NOTES UNLESS SPECIFIED | | | | |
| 1. TOLERANCES | UNLESS SPECIFIED | ANGULAR | | |
| 2. BREAK ALL SHARP EDGES | 0.015" MIN. | 0.005" MIN. | | |
| 3. HOLE SURFACES | 0.005" MIN. | 0.002" MIN. | | |
| 4. ALL DIM. TO CENTER | | | | |
| MATERIAL LIST | | SDS SCIENTIFIC DATA SYSTEMS 1540 FIFTEENTH STREET SANTA MONICA, CALIFORNIA | | |
| 1. TOLERANCES UNLESS SPECIFIED 2. BREAK ALL SHARP EDGES 0.015" MIN. 3. HOLE SURFACES 0.005" MIN. 4. ALL DIM. TO CENTER | | DRAWN: <i>[Signature]</i> CHECK: <i>[Signature]</i> APPR: <i>[Signature]</i> | TITLE DIAGRAM, LOGIC, COMPUTER | |
| MODEL NO. | | REV. NO. | D 101702 A | |
| NEXT ASSY. | | SCALE | DO NOT SCALE DRAWING | |

T_s , $\overline{T_s}$, W_p , $\overline{W_p}$, $\overline{T_s}$ *

70

| REVISIONS | | | |
|-----------|-------------|-----|------|
| REV | DESCRIPTION | CHK | DATE |
| A | REL TO MFG | | |



910
PAGE 71
A

103

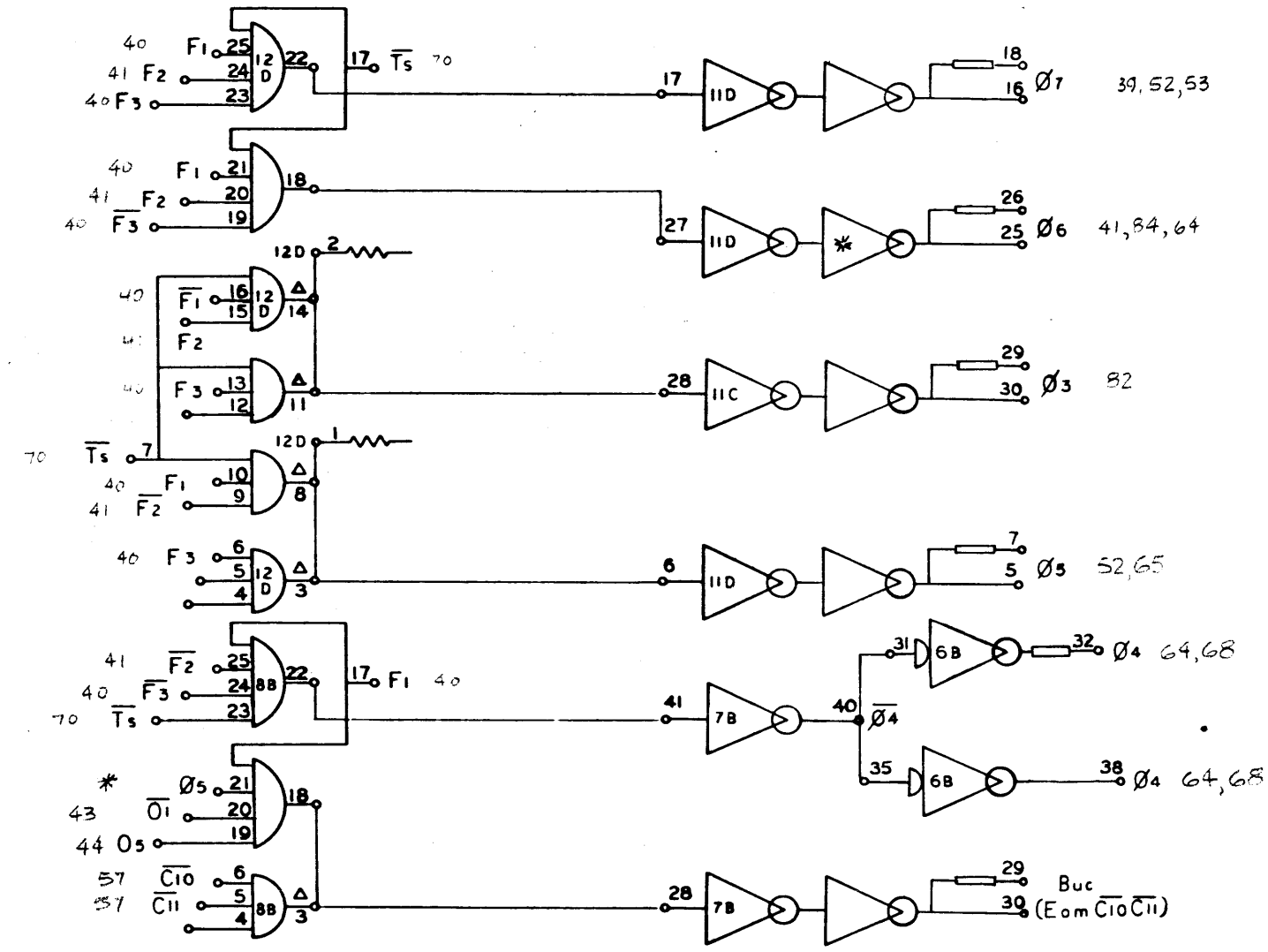
101702
A

| NO. REQ. | DRAWING NO. | DESCRIPTION | REFERENCE DESIGNATION | ITEM NO. |
|---------------------------|------------------|---------------|--|----------|
| MATERIAL LIST | | | | |
| NOTES UNLESS SPECIFIED | | | | |
| 1. TOLERANCES | UNLESS SPECIFIED | ANGULAR | | |
| 2. DIMENSIONS | UNLESS SPECIFIED | 2.5% | | |
| 3. BREAK ALL SHARP EDGES | AND APPROVE | | | |
| 4. HATCH OUTPAGES | ✓ | | | |
| 5. ALL DIM. IN INCHES | | | | |
| DRAWN: <i>[Signature]</i> | | DATE: 10-1-64 | SDS SCIENTIFIC DATA SYSTEMS 1542 FIFTEENTH STREET SANTA MONICA, CALIFORNIA TITLE: DIAGRAM, LOGIC, COMPUTER | |
| CHECK: <i>[Signature]</i> | | DATE: 10-1-64 | | |
| APPR: <i>[Signature]</i> | | DATE: 10-1-64 | | |
| MODEL NO. | | SIZE | DWG. NO. | ITEM NO. |
| | | D | 101702 | A |
| NEXT ASSY. | | SCALE | DO NOT SCALE DRAWING | SHEET |

71 $(0_6 \emptyset_2)$, $(\overline{F_1} \overline{F_2} \overline{T_s} \overline{W_p} + 0_1 \emptyset_4 + 0_2 \emptyset_6 + 0_3 \emptyset_6)$, $(\overline{F_1} \overline{F_2} \overline{T_s} \overline{W_p} + 0_1 \emptyset_4 + 0_2 \emptyset_6 + 0_3 \emptyset_6)$

| REVISIONS | | | |
|-----------|-------------|-----|------|
| REV | DESCRIPTION | CHK | DATE |
| A | REL TO MFG | | |

PHASE COUNTS



Ø7
Ø6
Ø3
Ø5
Ø4
Ø4
Ø4
Buc

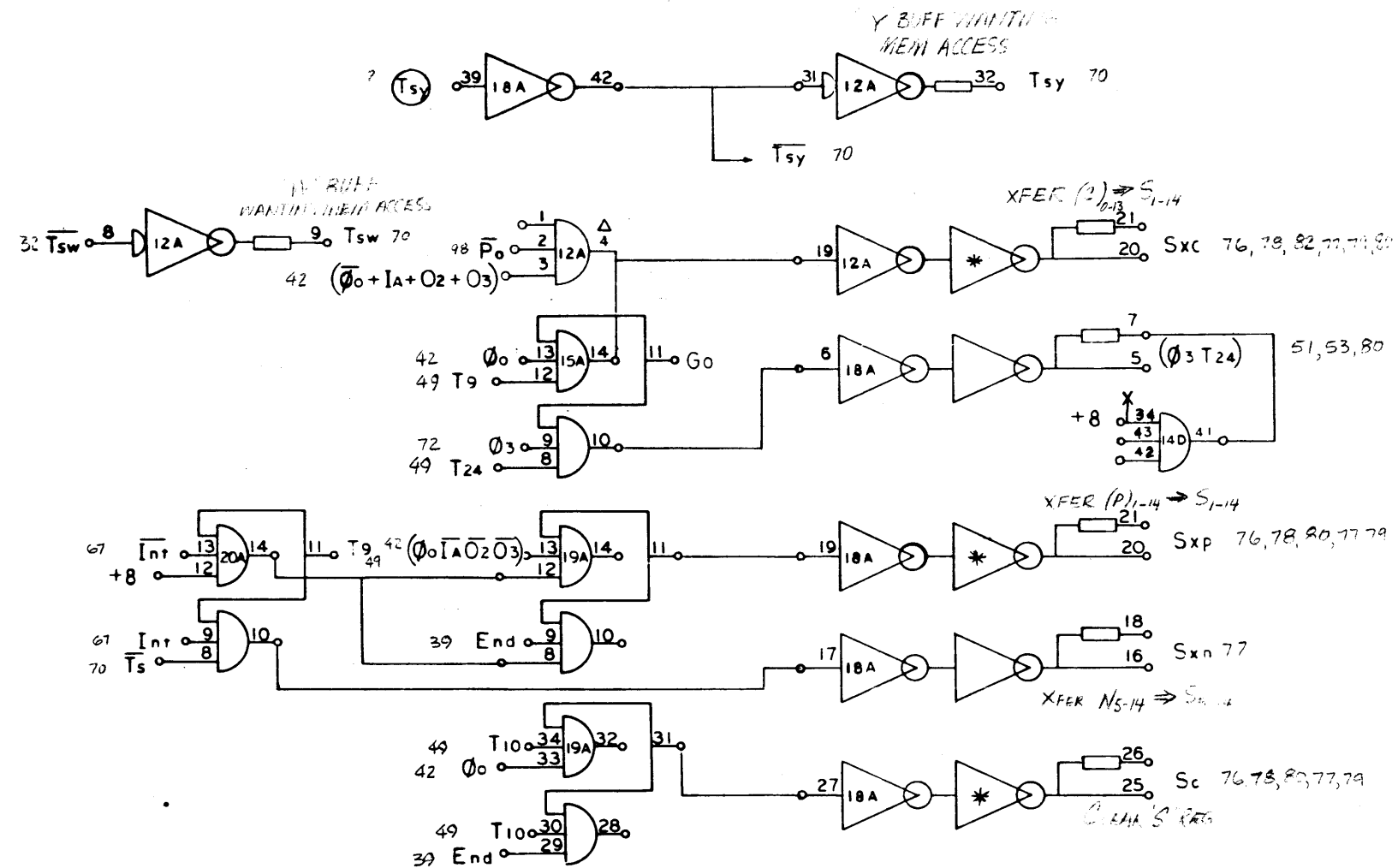
104

910
PAGE 72
A

| NO. REG | DRAWING NO. | DESCRIPTION | REFERENCE DESIGNATION | ITEM NO. |
|--------------------------------------|-------------|--|-----------------------|----------|
| MATERIAL LIST | | | | |
| NOTES UNLESS SPECIFIED | | | | |
| 1. TOLERANCES UNLESS SPECIFIED | | | | |
| 2. BREAK ALL SHARP EDGES 0.10 APPROX | | | | |
| 3. HATCH SURFACES | | | | |
| 4. ALL DIM IN INCHES | | | | |
| DRAWN: <i>CK</i> | | DATE: 12-64 | | |
| CHECK: <i>AN</i> | | DATE: 12-64 | | |
| APPR: <i>JK</i> | | DATE: 12-64 | | |
| MODEL NO. | | TITLE | | |
| NEXT ASSY. | | SCALE | | |
| | | SDS SCIENTIFIC DATA SYSTEMS 1345 FIFTEENTH STREET SANTA MONICA CALIFORNIA | | |
| | | DIAGRAM, LOGIC COMPUTER | | |
| | | D 101702 | | A |
| | | DO NOT SCALE DRAWING | | |

Ø7, Ø6, Ø3, Ø4, Ø5, Buc, (Eom C10 C11)

| REV | | DESCRIPTION | CHK | DATE | APPROVED |
|-----|--|-------------|-----|------|----------|
| A | | REL TO MFG | | | |



910
PAGE 73
A

105

101702/4

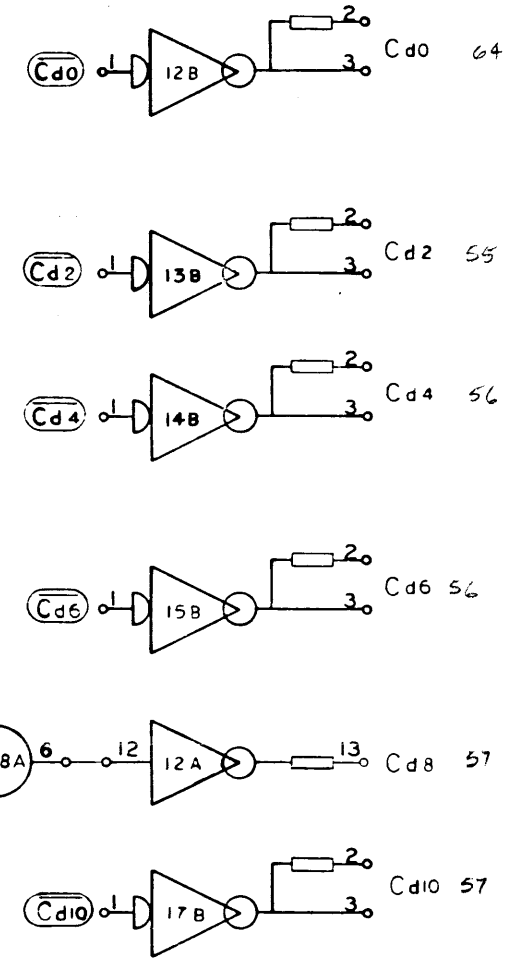
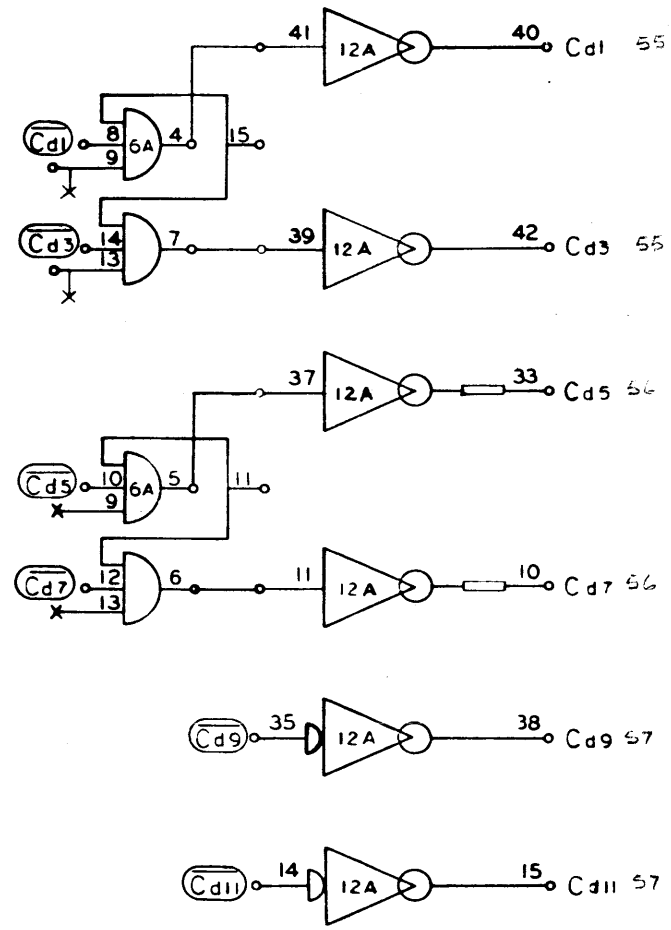
| NO. REQ. | DRAWING NO. | DESCRIPTION | REFERENCE DESIGNATION | ITEM NO. |
|---|-------------|----------------------|--|----------|
| MATERIAL LIST | | | | |
| NOTES UNLESS SPECIFIED | | DRAWN | SDS SCIENTIFIC DATA SYSTEMS <small>1525 AVENUE 26 STREET SANTA MONICA CALIFORNIA</small> | |
| 1. TOLERANCES DIM ± .005 ANGULAR DIM ± .010 | | CHECK | | |
| 2. BREAK ALL SHARP EDGES 3. 90° APPROX. 4. MESH SURFACES ✓ 5. ALL DIM. IN INCHES | | APPR | | |
| MODEL NO. | | TITLE | | |
| NEXT ASSY. | | SIZE | | DWG NO. |
| | | D | | 101702 |
| | | SCALE | | SHEET |
| | | DO NOT SCALE DRAWING | | 1A |

73

Tsy, Sxc, (φ3 T24), Sxp, Sxn, Sc

| REV | | DESCRIPTION | CHE | DATE | APPROVED |
|-----|--|-------------|-----|------|----------|
| A | | REL TO MFG | | | |

DATA LINES FROM
EXT. DEVICE - 100 Reg



106

101/02 A

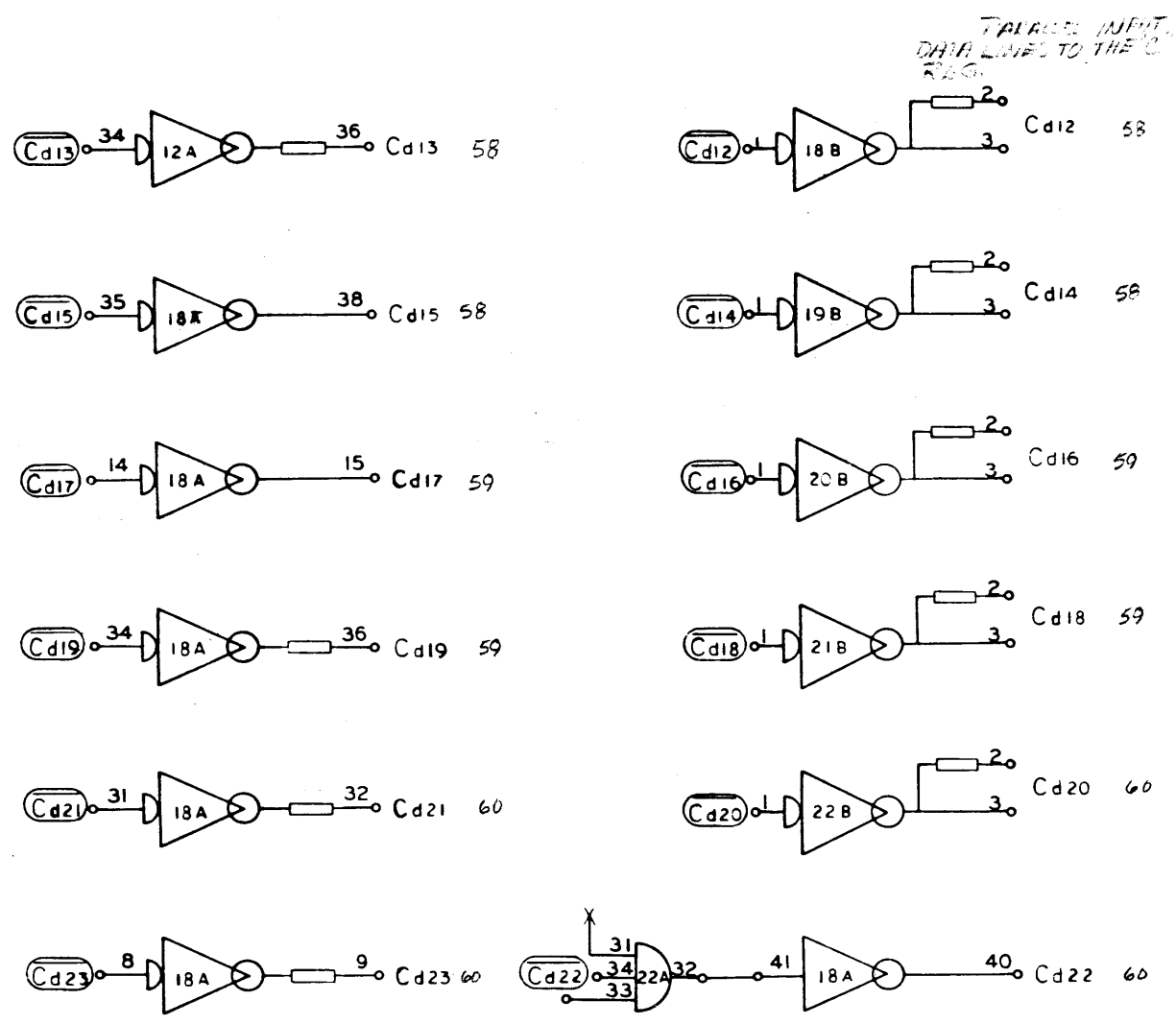
910
PAGE 7:
A

| NO. REQ | DRAWING NO. | DESCRIPTION | REFERENCE DESIGNATION | ITEM NO. |
|--|-------------|--|------------------------|-----------------------|
| NOTES UNLESS SPECIFIED | | | | |
| 1. TOLERANCES XX ± 0.30 XXX ± 0.10 | | 2. BREAK ALL SHARP EDGES S10 APPROX | 3. MACH. SURFACES ✓ | 4. ALL DIM. IN INCHES |
| DRAWN | | CHECK | APPR | |
| MODEL NO. | | TITLE | | |
| NEXT ASSY. | | SCALE | | |
| | | SDS SCIENTIFIC DATA SYSTEMS 1522 FIFTEENTH STREET, SANTA MONICA, CALIFORNIA | | |
| | | DIAGRAM, LOGIC, COMPUTER | | |
| | | SIZE | DWG NO. | ITEM NO. |
| | | D | C 702 | A |
| | | DO NOT SCALE DRAWING | | SHEET |

Cd0, 1, 2, 3, 4, 5, 6, 7, 8, 9, 10, 11

74

| REVISIONS | | | |
|-----------|-------------|-----|---------|
| REV | DESCRIPTION | CHK | DATE |
| A | REL TO MFG | | 12/1/61 |



910
PAGE 75
A

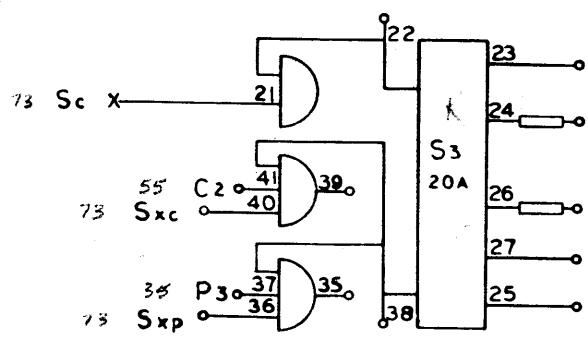
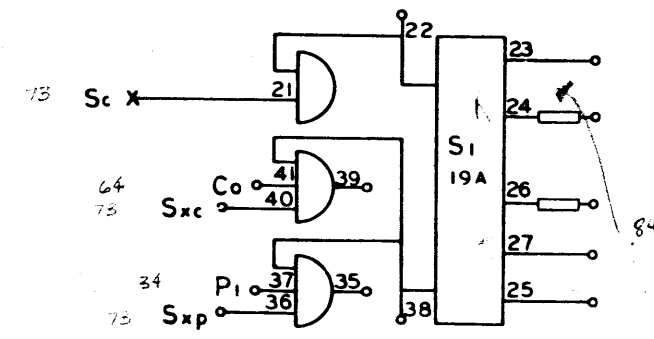
107

| NO. REG | DRAWING NO. | DESCRIPTION | REFERENCE DESIGNATION |
|---|-------------|--|----------------------------|
| MATERIAL LIST | | | |
| NOTES UNLESS SPECIFIED | | DRAWN <i>[Signature]</i> | DATE 12-1-61 |
| 1. TOLERANCES FRACTIONS ± .005 ANGULAR DECIMALS ± .010 ± 1/2° | | CHECK <i>[Signature]</i> | |
| 2. BREAK ALL SHARP EDGES 3. DIM APPROX. | | APPR. <i>[Signature]</i> | |
| 3. HATCH SURFACES ✓ | | | |
| 4. ALL DIM IN INCHES | | | |
| MODEL NO. | | SDS SCIENTIFIC DATA SYSTEMS 1248 FIFTEENTH STREET, SANTA MONICA, CALIFORNIA | |
| NEXT ASSY. | | TITLE DIAGRAM, LOGIC, COMPUTER | |
| | | SIZE D | DWG NO. 101702 |
| | | SCALE | DO NOT SCALE DRAWING SHEET |

75 - Cd12, 13, 14, 15, 16, 20, 18, 19, 20, 21, 22, 23

| | | | | | |
|-----|--|-------------|-----|------|----------|
| REV | | DESCRIPTION | CHK | DATE | APPROVED |
| A | | REL TO MFG | | | |

MEM ADDRESS REG



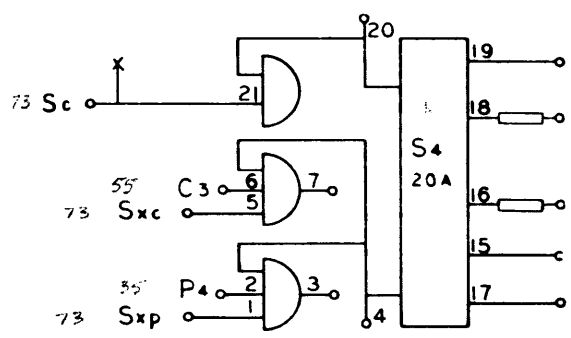
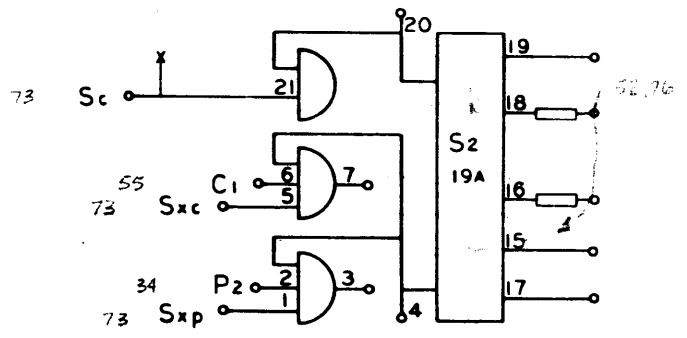
S1

S2

S3

S4

108



910
PAGE 76
A

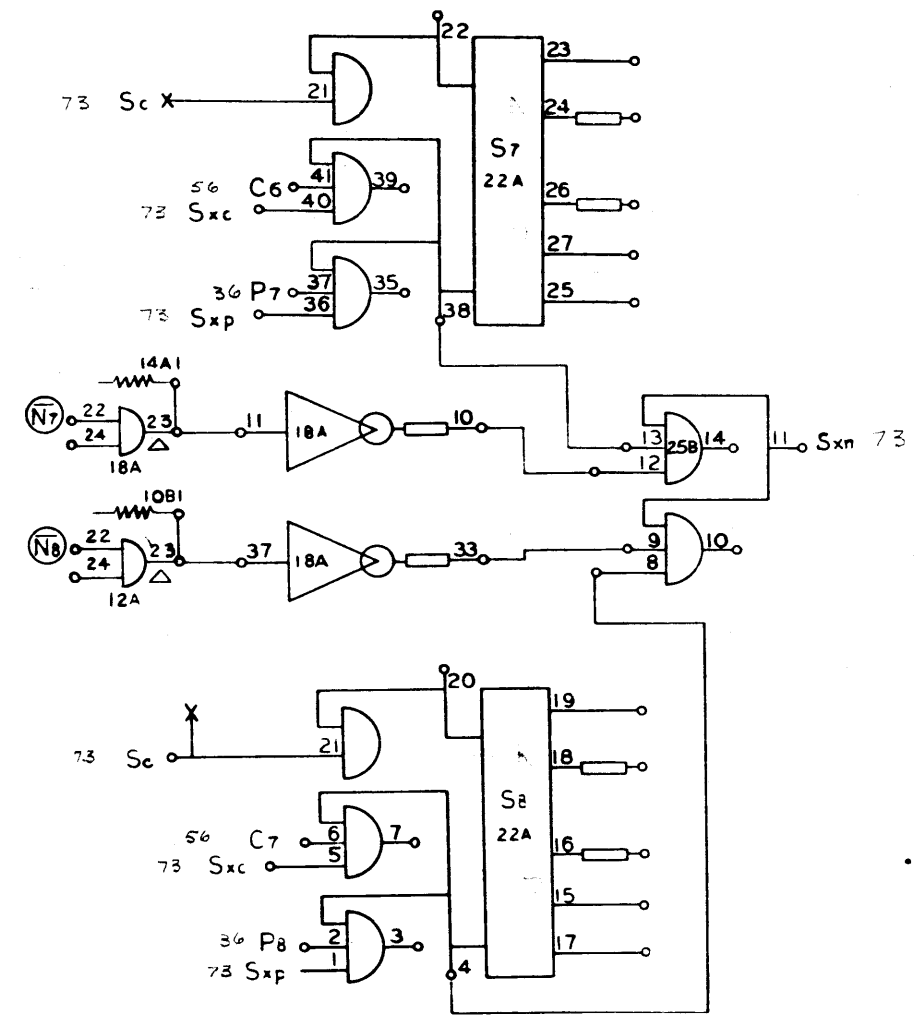
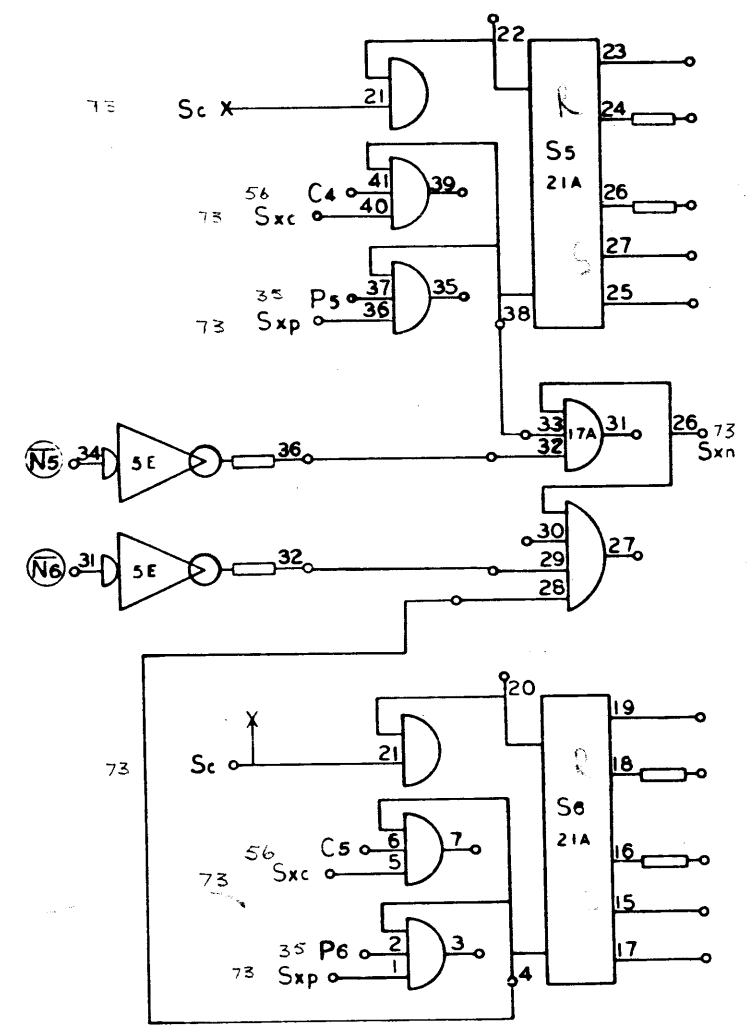
| | | | | |
|---|-------------|----------------------|-----------------------|--|
| NO. REQ. | DRAWING NO. | DESCRIPTION | REFERENCE DESIGNATION | ITEM NO. |
| MATERIAL LIST | | | | |
| NOTES UNLESS SPECIFIED | | DRAWN | DATE | <div style="text-align: center;"> <p>101702</p> </div> |
| 1. TOLERANCES XX ± 0.00 XX ± 0.10 | | CHECK | DATE | |
| 2. BREAK ALL SHARP EDGES BY APPROX 3. HATCH SURFACES 4. ALL DIM. IN INCHES | | APPD. | DATE | |
| MODEL NO. | | SIZE | DWG. NO. | |
| NEXT ASSY. | | D | 101702 | A |
| SCALE | | DO NOT SCALE DRAWING | | SHEET |

S1, S2, S3, S4

76

| REVISIONS | | | |
|-----------|-------------|-----|------|
| REV | DESCRIPTION | CHK | DATE |
| A | REL TO MFG. | | |

MLM Add. Req.



S5
S6
S7
S8

109

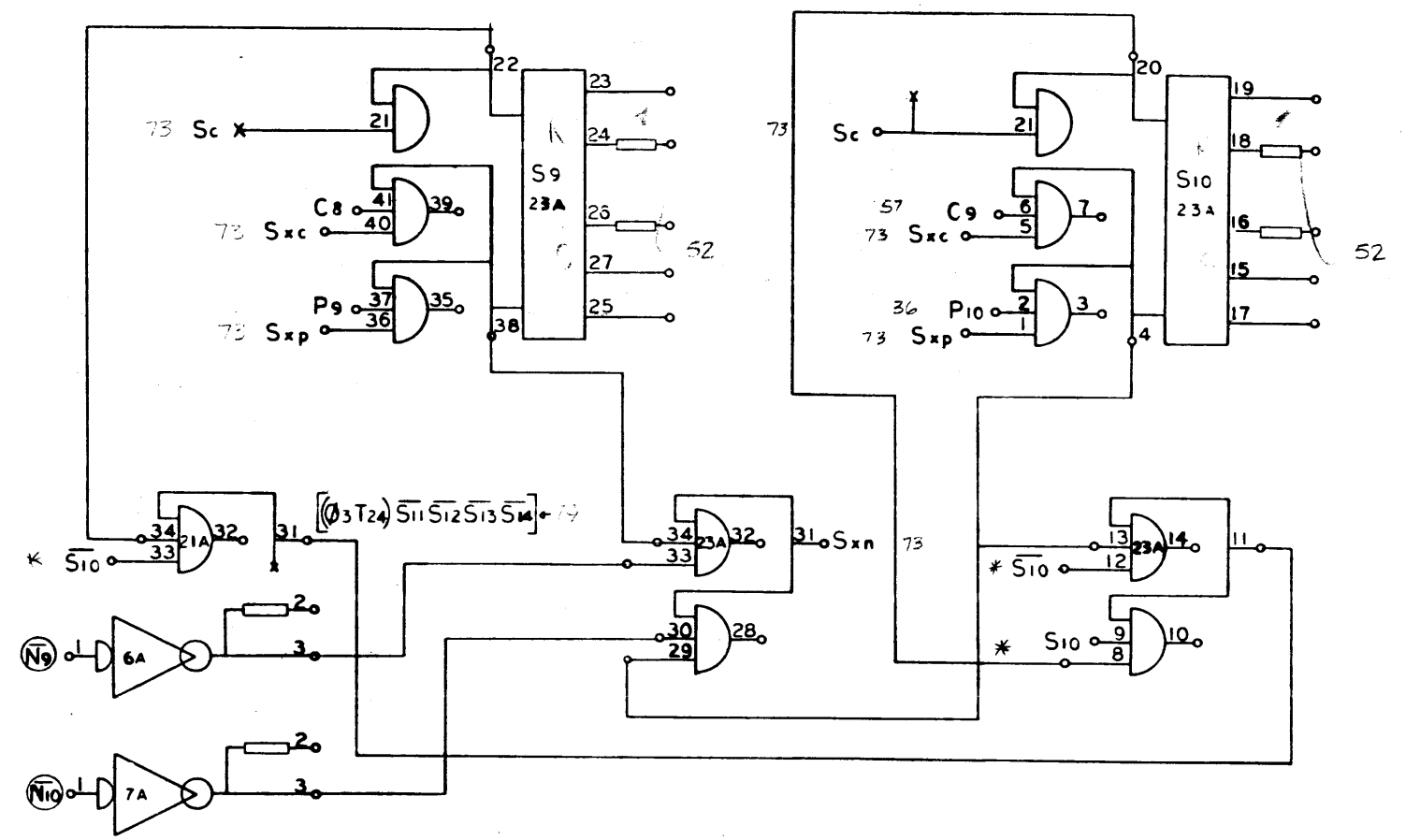
910
PAGE 77
A

| NO. REQ. | DRAWING NO. | DESCRIPTION | REFERENCE DESIGNATION | ITEM NO. |
|--|-------------|-------------|---|----------|
| MATERIAL LIST | | | | |
| NOTES UNLESS SPECIFIED | | DRAWN | SDS SCIENTIFIC DATA SYSTEMS | |
| 1. TOLERANCES DIM ± .010 ANGULAR DIM ± .010 ± 1/2° | | CHECK | 1525 FIFTEENTH STREET SANTA MONICA CALIFORNIA | |
| 2. BREAK ALL SHARP EDGES BY APPROX. | | APPR. | TITLE DIAGRAM, LOGIC, CCOMPUTER | |
| 3. HATCH SURFACES ✓ | | | | |
| 4. ALL DIM. IN INCHES | | | | |
| MODEL NO. | | SIZE | DWG NO. 1017C2 | |
| NEXT ASSY | | SCALE | DO NOT SCALE DRAWING SHEET | |

77 S 5,6,7,8

| REV | | DESCRIPTION | CHK | DATE | APPROVED |
|-----|--|-------------|-----|------|----------|
| A | | REL TO MFG | | | |

Mem added



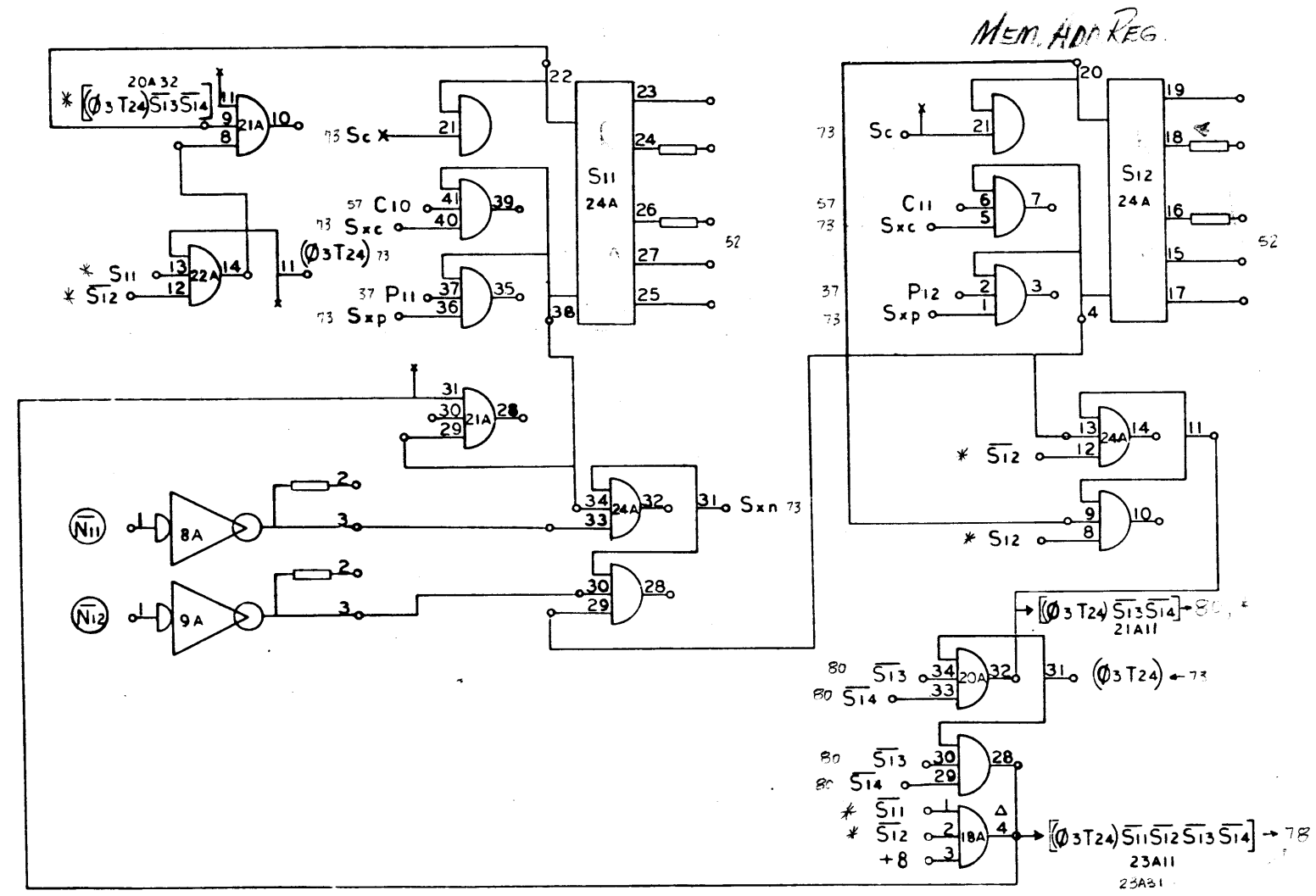
110

910
PAGE 78
A

| NO. REQ. | DRAWING NO. | DESCRIPTION | REFERENCE DESIGNATION | ITEM NO. |
|---|-------------|--------------------------|-----------------------|---|
| MATERIAL LIST | | | | |
| NOTES UNLESS SPECIFIED | | DRAWN <i>14</i> | DATE <i>12/15/64</i> | SDS SCIENTIFIC DATA SYSTEMS 1725 PAVENHILL STREET, SANTA MONICA, CALIFORNIA |
| 1. TOLERANCES XX .000 ANGULAR XXX .010 | | CHECK <i>2/7</i> | DATE <i>12/15/64</i> | |
| 2. BREAK ALL SHARP EDGES 0.10 APPROX. | | APPR. <i>[Signature]</i> | TITLE | |
| 3. MACH. SURFACES <input checked="" type="checkbox"/> | | | | DIAGRAM, LOGIC, COMPUTER |
| 4. ALL DIM. IN INCHES | | | | |
| MODEL NO. | | REV. D | DWG. NO. 101702 | |
| NEXT ASSY. | | SCALE | DO NOT SCALE DRAWING | SHEET |

S9

| REVISIONS | | | |
|-----------|-------------|-----|------|
| REV | DESCRIPTION | CHK | DATE |
| A | REL TO MFG | | |



910
PAGE 79
A

| NO. REV | DRAWING NO. | DESCRIPTION | REFERENCE DESIGNATION | ITEM NO. |
|---|-------------|-------------|-----------------------|---|
| MATERIAL LIST | | | | |
| NOTES UNLESS SPECIFIED | | DRAWN | DATE | SDS SCIENTIFIC DATA SYSTEMS 1542 FIFTEENTH STREET, SANTA MONICA, CALIFORNIA TITLE DIAGRAM, LOGIC, COMPUTER |
| 1. TOLERANCES .05 ±.005 ANGULAR .001 ±.010 2 1/2° | | CHECK | DATE | |
| 2. BREAK ALL SHARP EDGES .010 APPROX. | | APPR. | DATE | |
| 3. MACH. SURFACES | | | | MODEL NO. D DWG NO. 101702 A |
| 4. ALL DIM. IN INCHES | | | | |
| NEXT ASSY. | | SCALE | | DO NOT SCALE DRAWING SHEET |

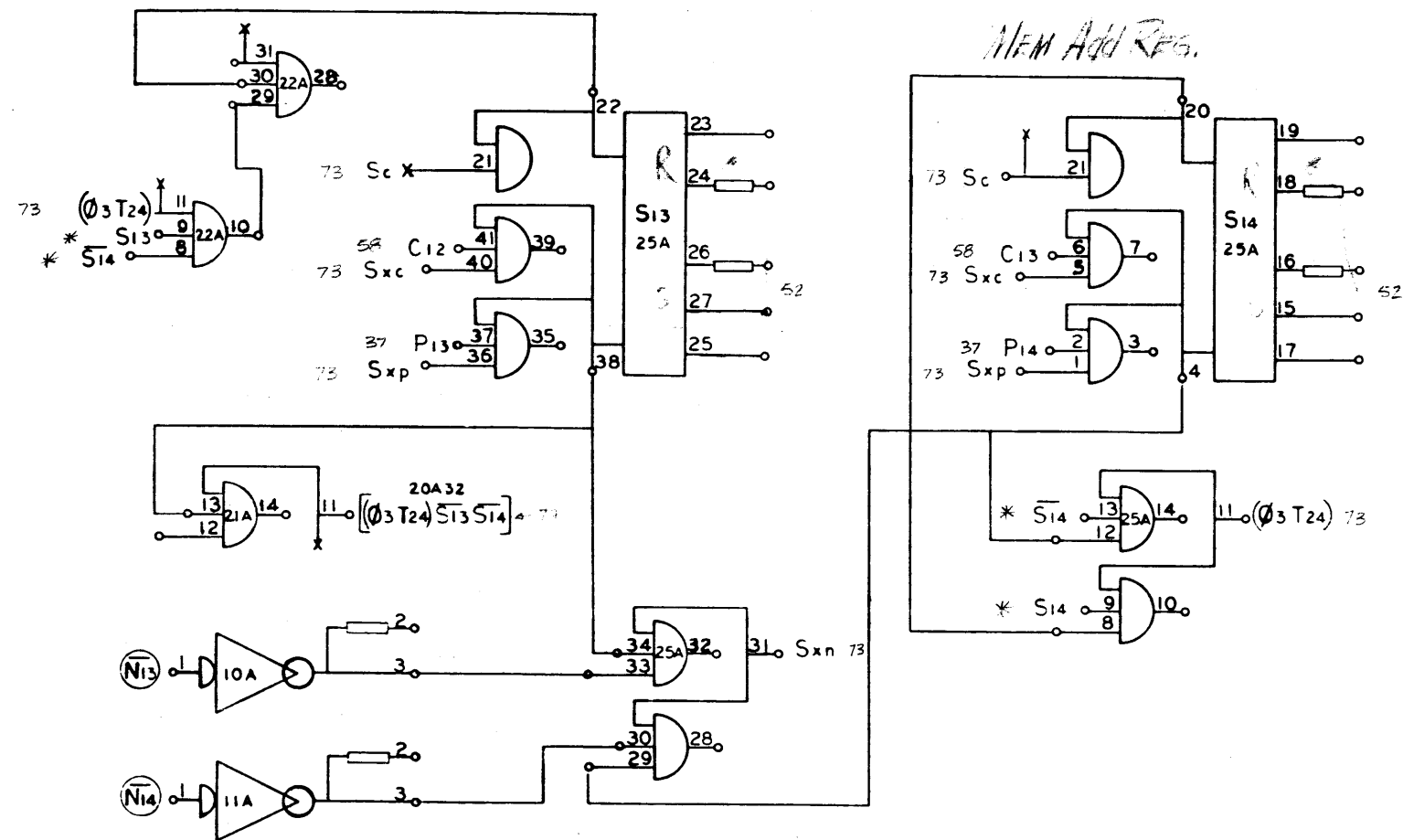
79

S11,12

///

101702 A

| REVISIONS | | | | 01702 | A |
|-----------|-------------|-----|------|----------|---|
| REV | DESCRIPTION | CHE | DATE | APPROVED | |
| A | REL IO MFG | | | | |



112

S13

S14

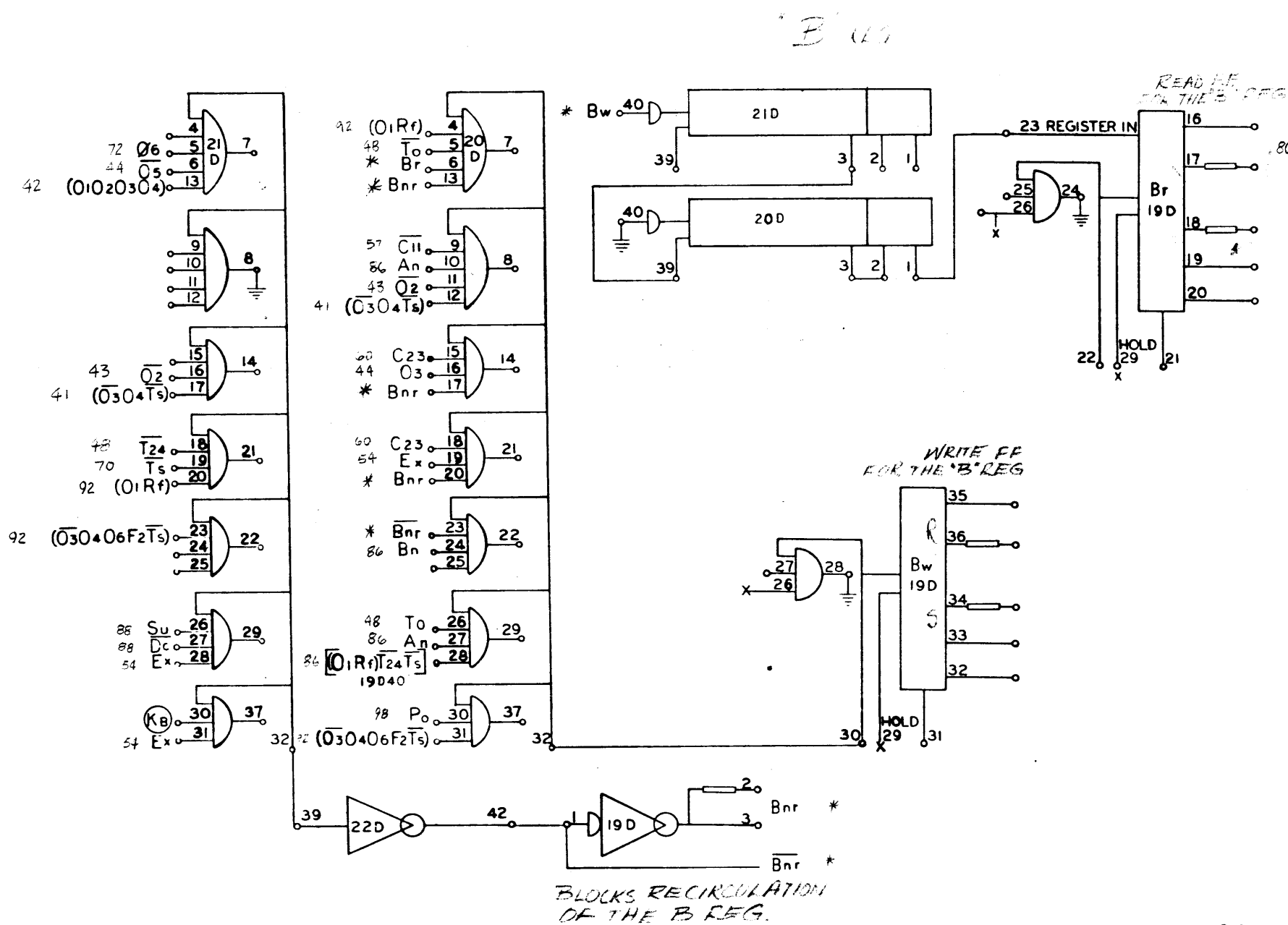
910
PAGE 80
A

| NO. REQ. | DRAWING NO. | DESCRIPTION | REFERENCE DESIGNATION | ITEM NO. |
|---|-------------|-------------|---|----------|
| MATERIAL LIST | | | | |
| NOTES UNLESS SPECIFIED | | DRAWN | SDS SCIENTIFIC DATA SYSTEMS 1442 FIFTEENTH STREET, SANTA MONICA, CALIFORNIA TITLE DIAGRAM, LOGIC, COMPUTER | |
| 1. TOLERANCES DIM ± .005 ANGULAR DIM ± .010 | | CHECK | | |
| 2. BREAK ALL SHARP EDGES R10 APPROX. | | APPR. | | |
| 3. MATCH SURFACES ✓ 4. ALL DIM. IN INCHES | | | | |
| MODEL NO. | | SIZE | DWG NO. | ITEM NO. |
| | | D | 101702 | A |
| NEXT ASSY. | | SCALE | DO NOT SCALE DRAWING | SHEET |

S13,14

80

| REV | | DESCRIPTION | CHR | DATE | APPROVED |
|-----|--|-------------|-----|------|----------|
| A | | REL TO MFG | | | |



910
PAGE 8
A

Or
Bw
Bnr

113

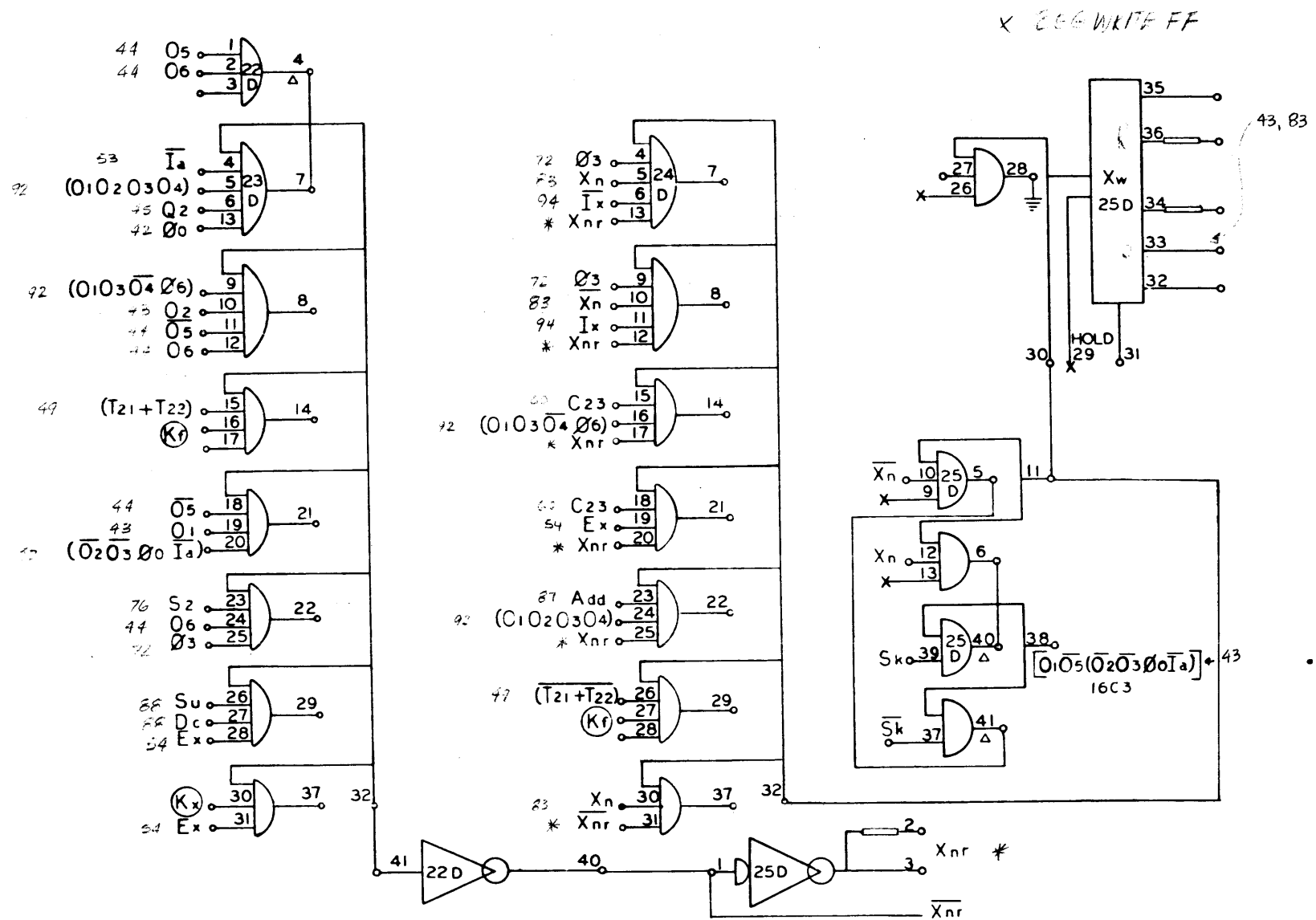
V 10/101

| NO. REG. | DRAWING NO. | DESCRIPTION | REFERENCE DESIGNATION | ITEM NO. |
|--|-------------|-------------|---|----------|
| MATERIAL LIST | | | | |
| NOTES UNLESS SPECIFIED | | DRAWN | | |
| 1. TOLERANCES XX ± .000 ANGULAR SEE 2.010 2° | | CHECK | 1425 FIFTEENTH STREET SANTA MONICA CALIFORNIA | |
| 2. BREAK ALL SHARP EDGES .010 APPROX. | | APPR. | TITLE | |
| 3. HATCH SURFACES ✓ | | | DIAGRAM, LOGIC, COMPUTER | |
| 4. ALL DIM. IN INCHES | | | | |
| MODEL NO. | | SIZE | DWG NO. | |
| NEXT ASSY. | | D | 01702 | A |
| | | SCALE | DO NOT SCALE DRAWING | SHEET |

81 $B_r, \overline{B_r}, B_w, \overline{B_w}, B_{nr}, \overline{B_{nr}}$

| REVISIONS | | | |
|-----------|-------------|-----|------|
| REV | DESCRIPTION | CHE | DATE |
| A | REL TO MFG | | |

114



X REC CIRCUIT
114 X 226

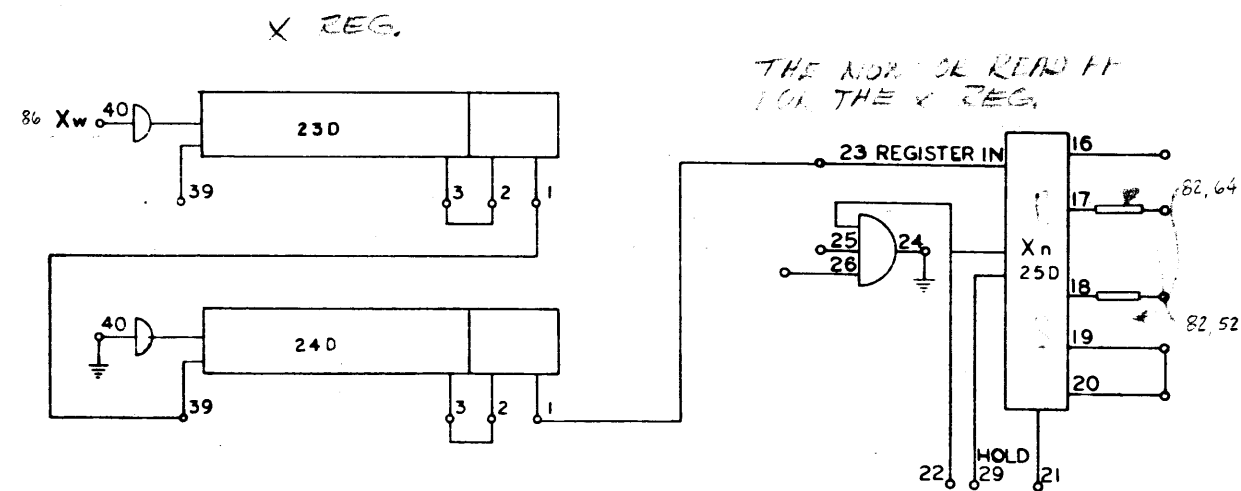
910
PAGE 82
A

| NO. REV | DRAWING NO. | DESCRIPTION | REFERENCE DESIGNATION | ITEM NO. |
|--|-------------|--|-----------------------|----------|
| NOTES UNLESS SPECIFIED | | | | |
| 1. TOLERANCES UNLESS SPECIFIED | | | | |
| 2. BREAK ALL SHARP EDGES 0.015 APPROX. | | | | |
| 3. HATCH SURFACES | | | | |
| 4. ALL DIM. IN INCHES | | | | |
| DRAWN | | CHECK | APPR. | DATE |
| MATERIAL LIST | | SDS SCIENTIFIC DATA SYSTEMS 1542 FIFTEENTH STREET SANTA MONICA, CALIFORNIA | | |
| MODEL NO. | | TITLE | | |
| NEXT ASSY. | | DIAGRAM, LOGIC, COMPUTER | | |
| SCALE | | DO NOT SCALE DRAWING SHEET | | |
| REV | | DWS NO. | | ITEM NO. |
| D | | 101702 | | A |

$X_w, \bar{X}_w, X_{nr}, \bar{X}_{nr}$

82

| REVISIONS | | | |
|-----------|-------------|-----|------|
| REV | DESCRIPTION | CHK | DATE |
| A | REL TO MFG | | |



910
PAGE 33
A

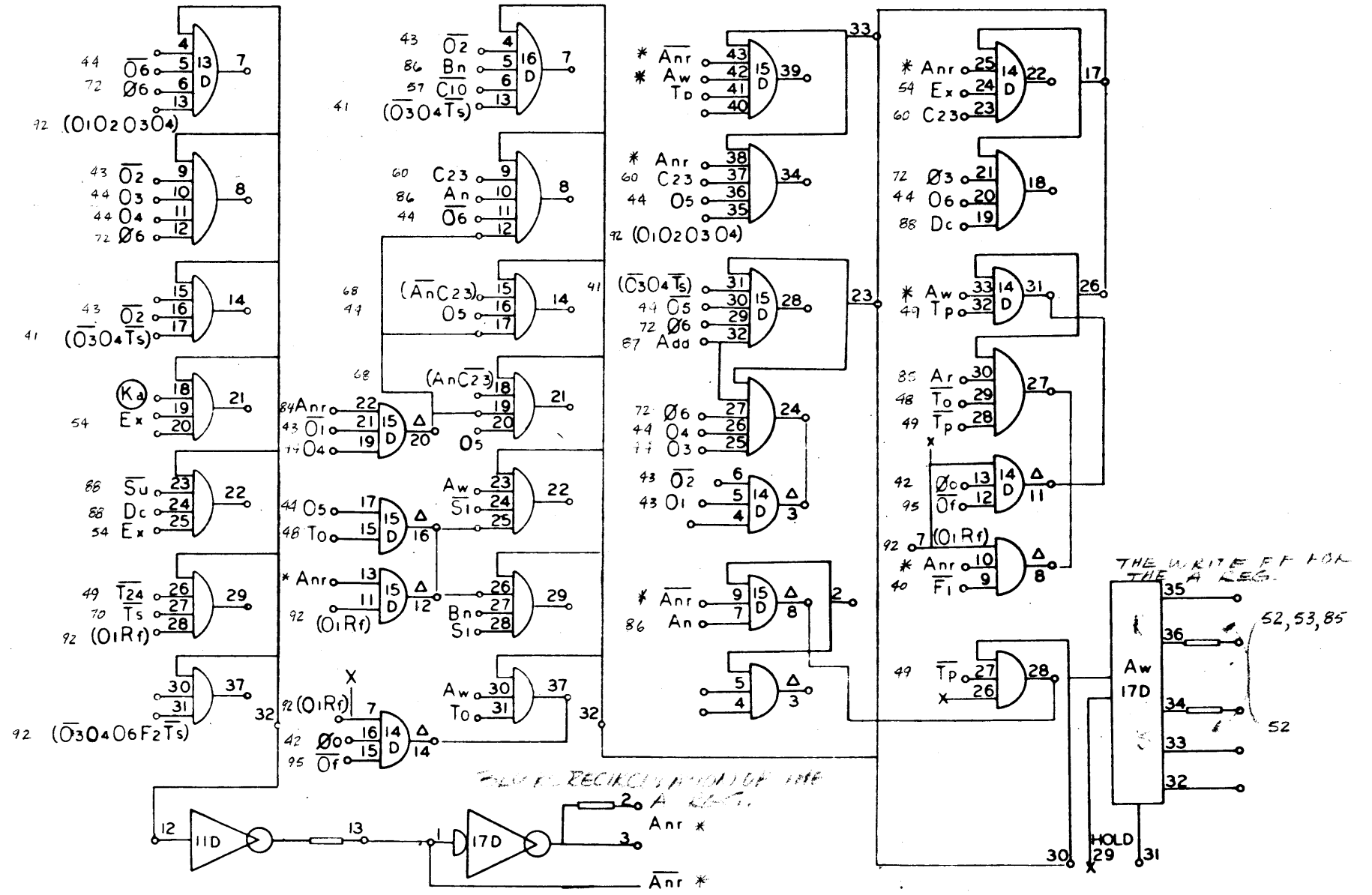
| NO. REV. | DRAWING NO. | DESCRIPTION | REFERENCE DESIGNATION | ITEM NO. |
|---|-------------|-------------|---|----------|
| MATERIAL LIST | | | | |
| NOTES UNLESS SPECIFIED | | DRAWN | SDS SCIENTIFIC DATA SYSTEMS 1542 S. PLYMOUTH STREET SANTA MONICA, CALIFORNIA | |
| 1. TOLERANCES DIM ± 0.00 ANGULAR DIM ± 0.10 | | CHECK | TITLE DIAGRAM, LOGIC, COMPUTER | |
| 2. BREAK ALL SHARP EDGES 5/16 APPROX. | | APPR | | |
| 3. MACH. SURFACES ✓ | | | MODEL NO. | |
| 4. ALL DIM. IN INCHES | | | NEXT ASSY. | |
| | | | SIZE D DWG NO. 101702 | |
| | | | SCALE DO NOT SCALE DRAWING SHEET | |

83

X_n, \bar{X}_n

115

116

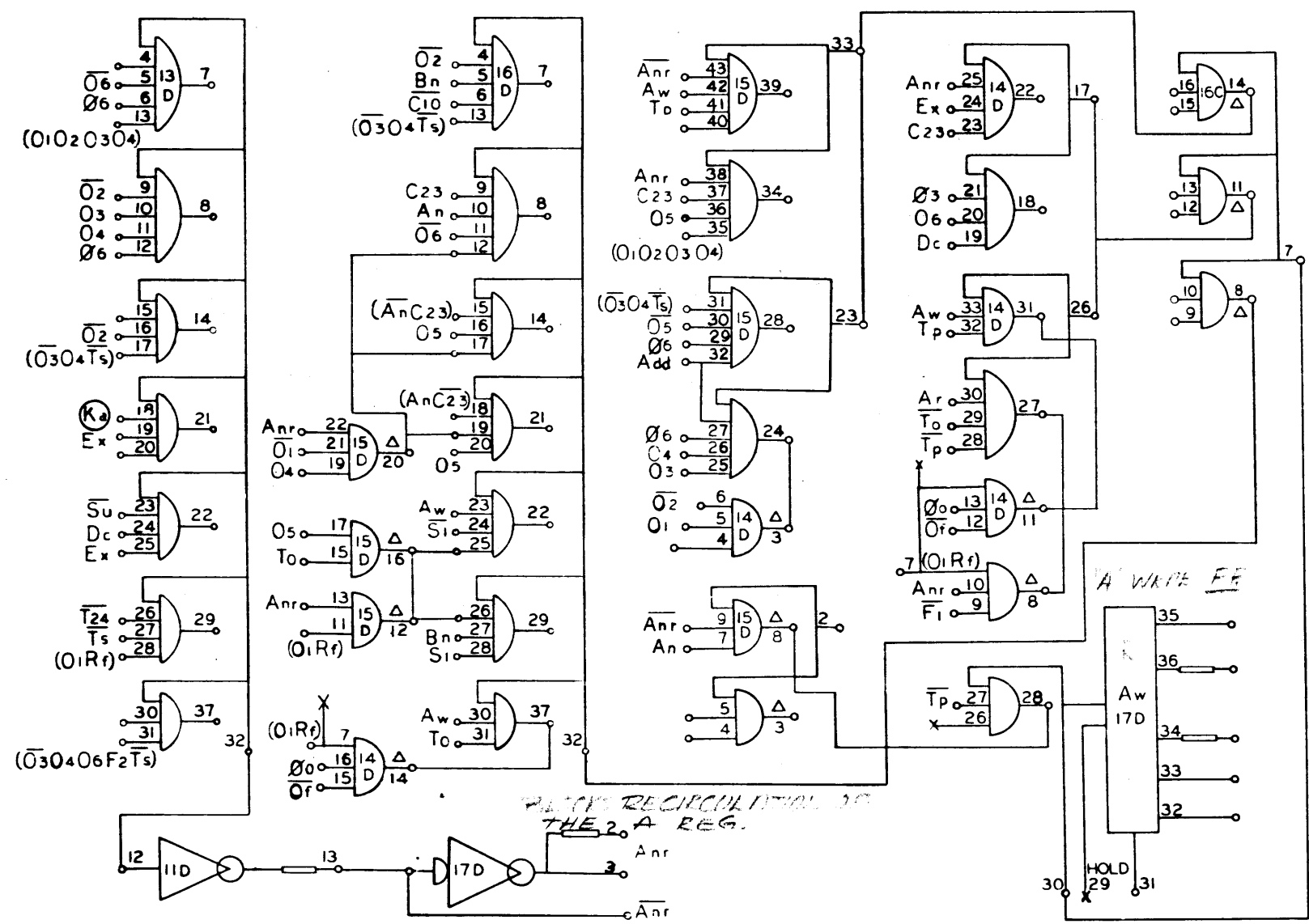


DIAGRAM, LOGIC, COMPUTER DWG. NO. 101702

Anr, \overline{Anr} , An, \overline{An}

84

| REVISIONS | | 01702 | B |
|-----------|---------------|-------|------|
| REV | DESCRIPTION | CHK | DATE |
| A | REL TO MFG | | |
| B | SEE REV. E.O. | | |



910
PAGE 81
B

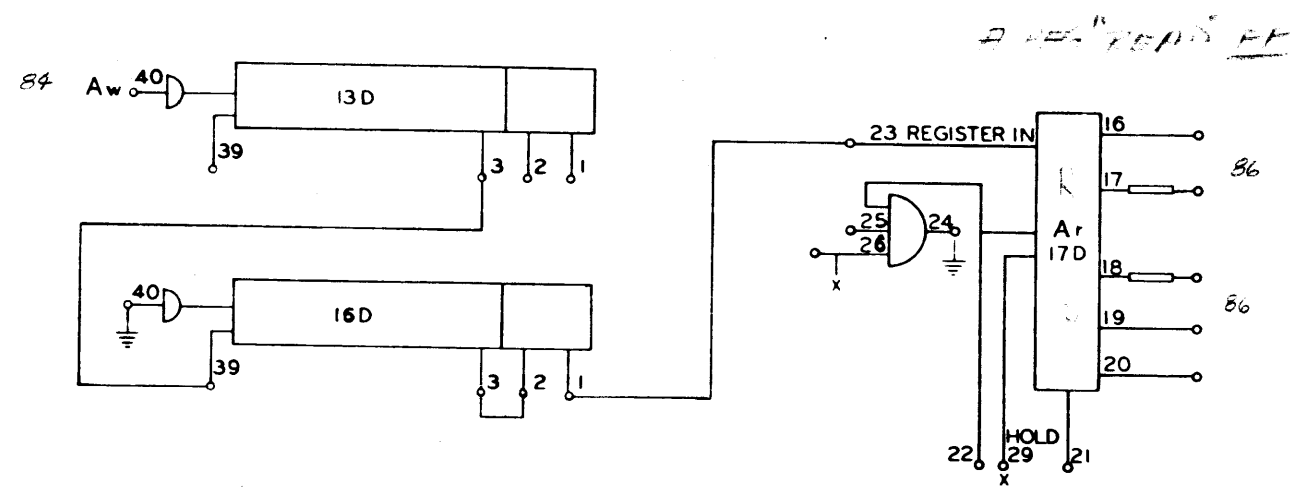
117

101702
B

| NO. REQ. | DRAWING NO. | DESCRIPTION | REFERENCE DESIGNATION | ITEM NO. |
|---|-------------|---|-----------------------|----------|
| NOTES UNLESS SPECIFIED 1. TOLERANCES XX ± 0.04 ANGULAR .XX ± 0.10 2. BREAK ALL SHARP EDGES .010 APPROX. 3. HATCH SURFACES ✓ 4. ALL DIM. IN INCHES | | | | |
| DRAWN: 1-6 | | SDS SCIENTIFIC DATA SYSTEMS 1545 FIFTEENTH STREET, SANTA MONICA, CALIFORNIA | | |
| CHECK: 2-4 | | TITLE DIAGRAM, LOGIC, COMPUTER | | |
| APPR: 1-21 | | MODEL NO. SEE DWG NO. 101702 | | |
| NEXT ASSY. | | SCALE DO NOT SCALE DRAWING SHEET | | |

SEE PREVIOUS PAGE

| REVISIONS | | | | 101702 | |
|-----------|-------------|-----|------|----------|---------|
| REV | DESCRIPTION | CHK | DATE | APPROVED | ITEM NO |
| A | REL TO MFG | | | | |



118

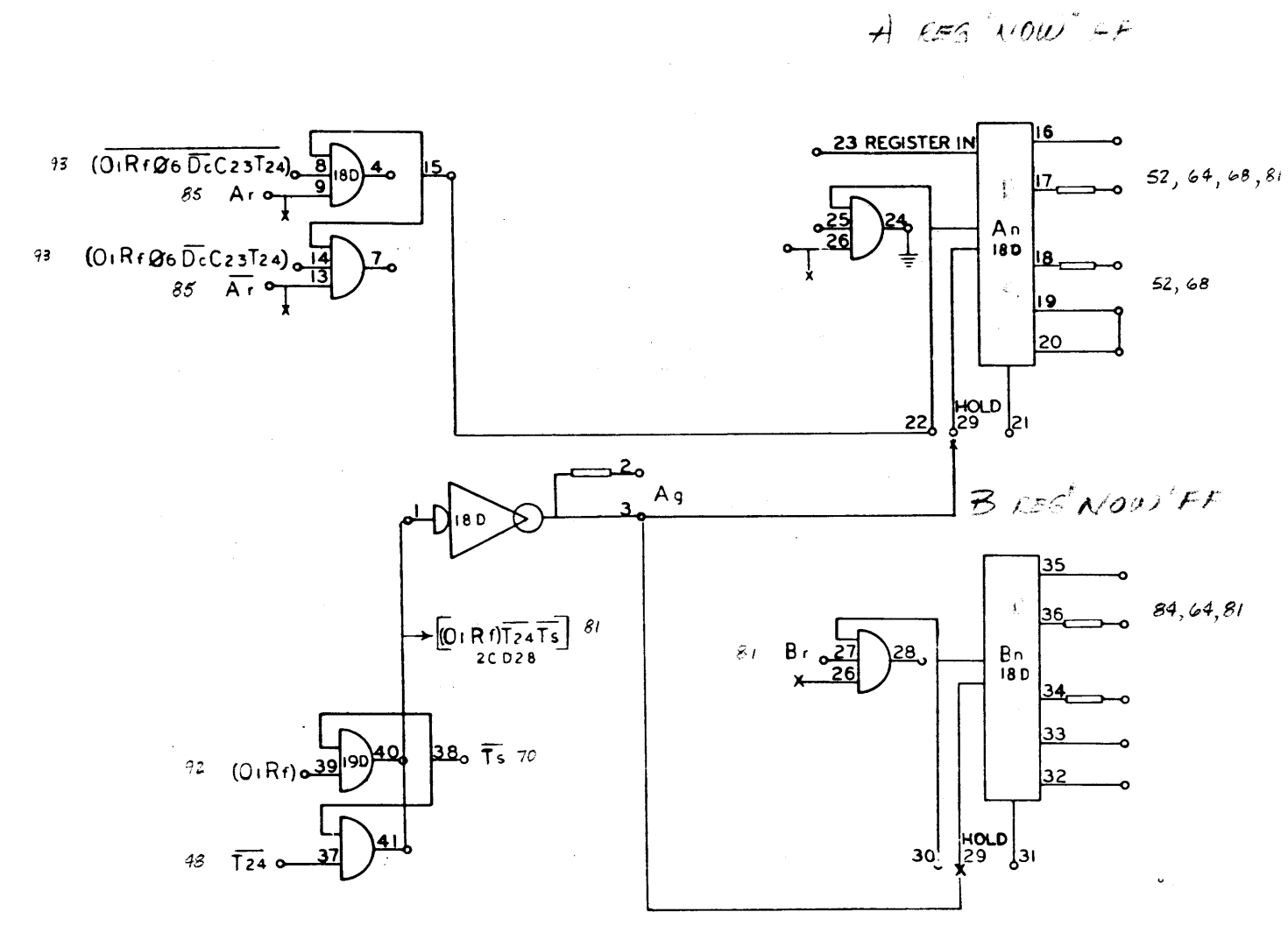
910
PAGE 85
A

101702 A

| NO. REQ | DRAWING NO. | DESCRIPTION | REFERENCE DESIGNATION | ITEM NO. |
|---|-------------|------------------------------------|------------------------|--|
| MATERIAL LIST | | | | |
| NOTES UNLESS SPECIFIED | | DRAWN: <i>LH</i> | DATE: <i>7-2-62</i> | SDS SCIENTIFIC DATA SYSTEMS <small>1442 FIFTEENTH STREET, SANTA MONICA, CALIFORNIA</small> |
| 1. TOLERANCES XX ± .030 ANGULAR SEE ± .010 2. BREAK ALL SHARP EDGES 0.10 APPROX. 3. BACK SURFACES ✓ 4. ALL DIM. IN INCHES | | CHECK: <i>[initials]</i> | DATE: <i>7-2-62</i> | |
| MODEL NO. | | SIZE: D | DWG NO.: 101702 | |
| NEXT ASSY. | | SCALE: DO NOT SCALE DRAWING | SHEET | |

Ar, Ar 85

| REV | DESCRIPTION | CHK | DATE | APPROVED |
|-----|-------------|-----|------|----------|
| A | REL TO MFG | | | |



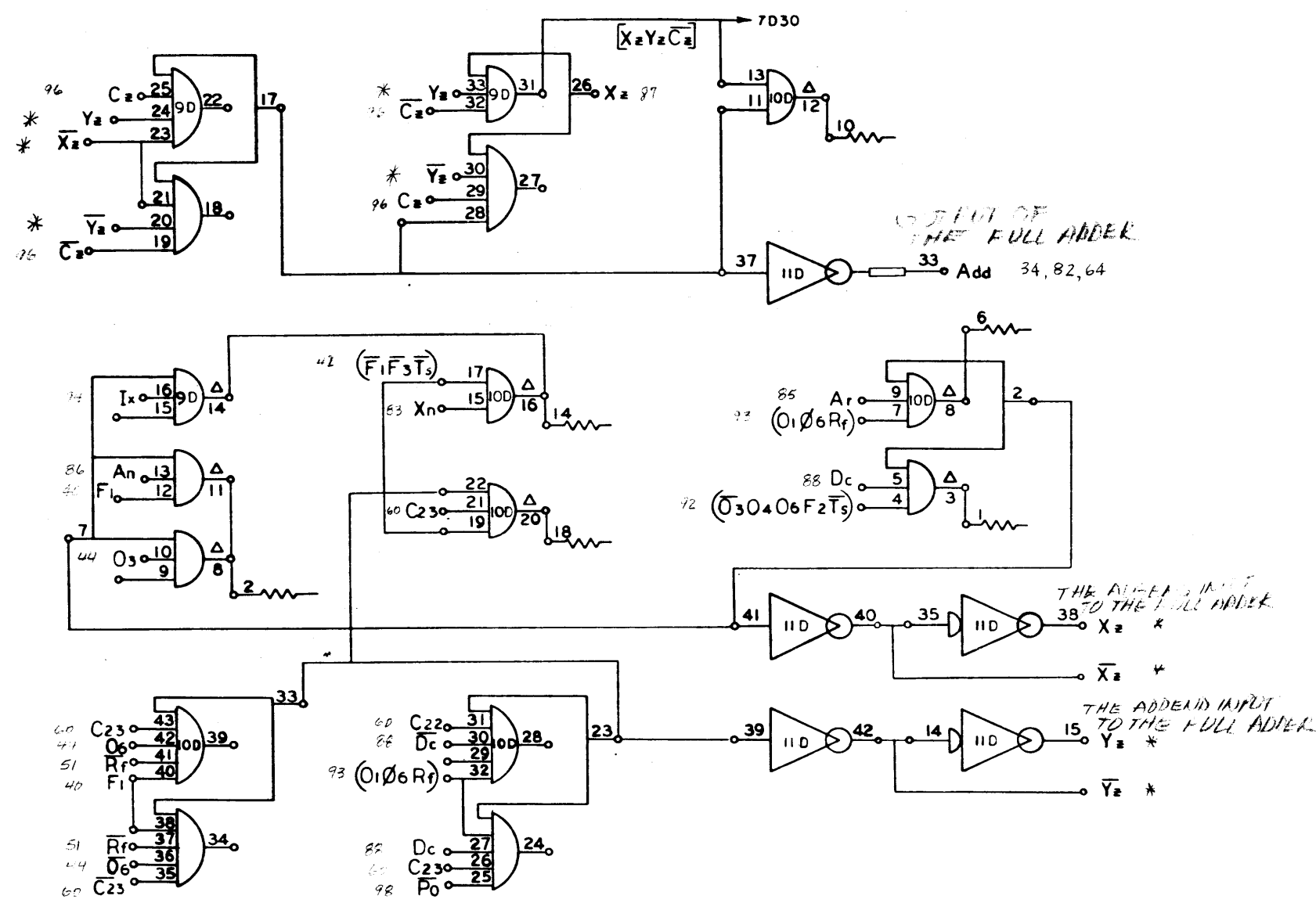
910
PAGE 86
A

119
V. 3/2/01

| NO. REQ | DRAWING NO. | DESCRIPTION | REFERENCE DESIGNATION | ITEM NO. |
|--|-------------|-------------|--|----------------------------------|
| MATERIAL LIST | | | | |
| NOTES UNLESS SPECIFIED | | DRAWN | SDS SCIENTIFIC DATA SYSTEMS 1542 FIFTEENTH STREET SANTA MONICA, CALIFORNIA | |
| 1. TOLERANCES DIM ± .030 HOLE ± .010 | | CHECK | TITLE DIAGRAM, LOGIC, COMPUTER | |
| 2. BREAK ALL SHARP EDGES BY APPROX. | | APPR | | |
| 3. HATCH SURFACES ✓ | | | MODEL NO. | SIZE DWG NO. D 101702 |
| 4. ALL DIM. IN INCHES | | | NEXT ASSY | SCALE DO NOT SCALE DRAWING SHEET |

86 $A_n, \bar{A}_n, B_n, \bar{B}_n, [(O_1 R_f) \bar{T}_{24} \bar{T}_s]$
2CD28

| REV | | DESCRIPTION | | REVISIONS | | DATE | | APPROVED | |
|-----|--|-------------|--|-----------|--|------|--|----------|--|
| A | | REL TO MFG | | | | | | | |



Add

Xz

Yz

120

910
PAGE 87
A

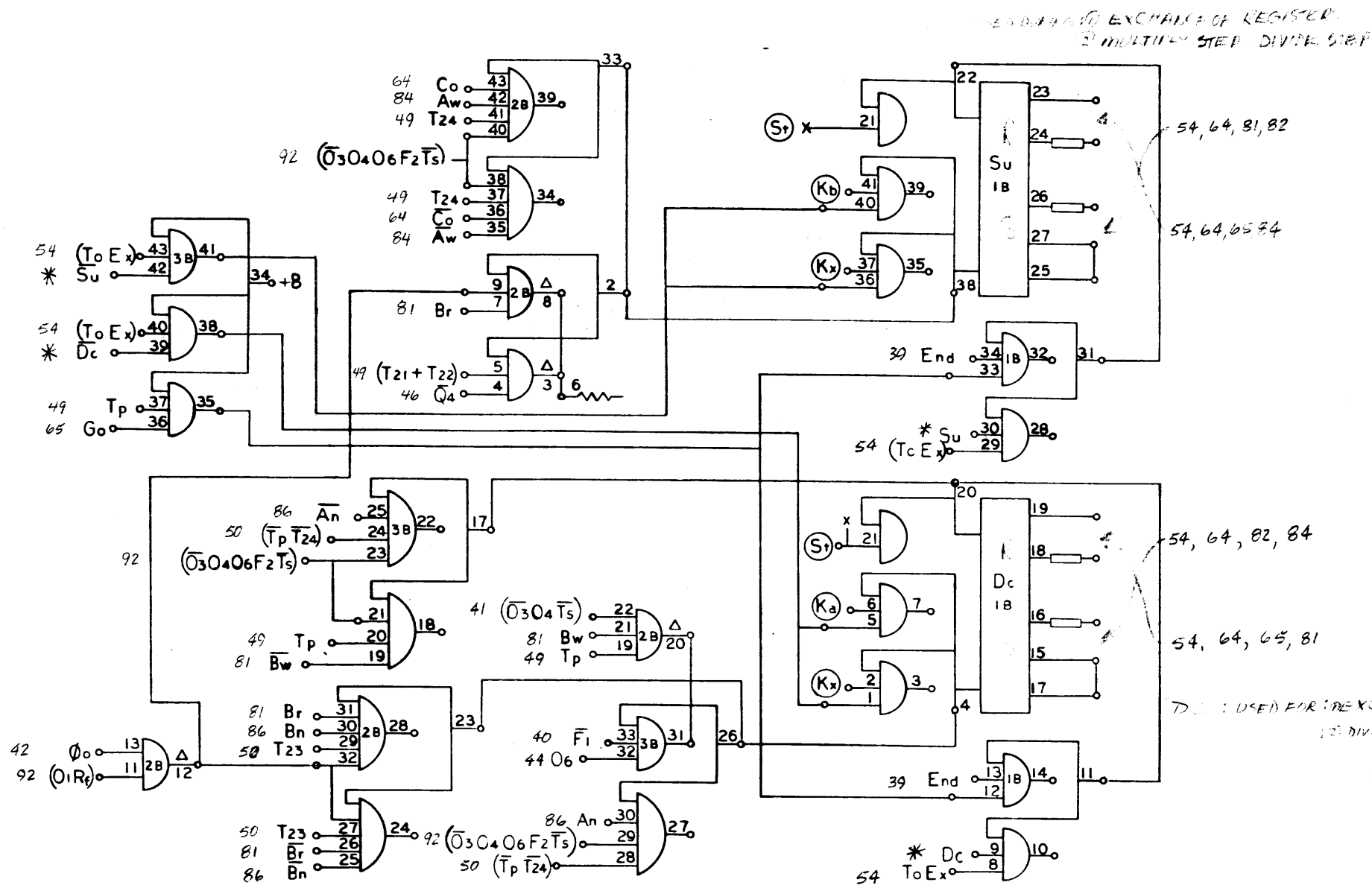
101702 A

| NO. REQ. | DRAWING NO. | DESCRIPTION | REFERENCE DESIGNATION | ITEM NO. |
|---|-------------|-----------------|-----------------------|---|
| MATERIAL LIST | | | | |
| NOTES UNLESS SPECIFIED | | DRAWN <i>LP</i> | DATE <i>12-1-67</i> | 1542 FIFTEENTH STREET, SANTA MONICA, CALIFORNIA |
| 1. TOLERANCES: DIM. ±.000 ANGULAR ±.5° 2. BREAK ALL SHARP EDGES AND APPROX. 3. BACK SURFACES ✓ 4. ALL DIM. IN INCHES | | CHECK <i>LP</i> | DATE <i>12-1-67</i> | |
| | | APPR. <i>LP</i> | | DIAGRAM, LOGIC, COMPUTER |
| MODEL NO. | | SIZE D | OWG NO. 101702 | A |
| NEXT ASSY. | | SCALE | DO NOT SCALE DRAWINGS | SHEET |

$[XzYzCz]$, Add, Xz , \bar{Xz} , Yz , \bar{Yz}

87

| REVISIONS | | | | C 702 A | |
|-----------|-------------|-----|----------|-----------|--|
| REV | DESCRIPTION | CHK | DATE | APPROVED | |
| A | REL TO MFG | AW | 10-15-67 | | |



910
PAGE 85
A

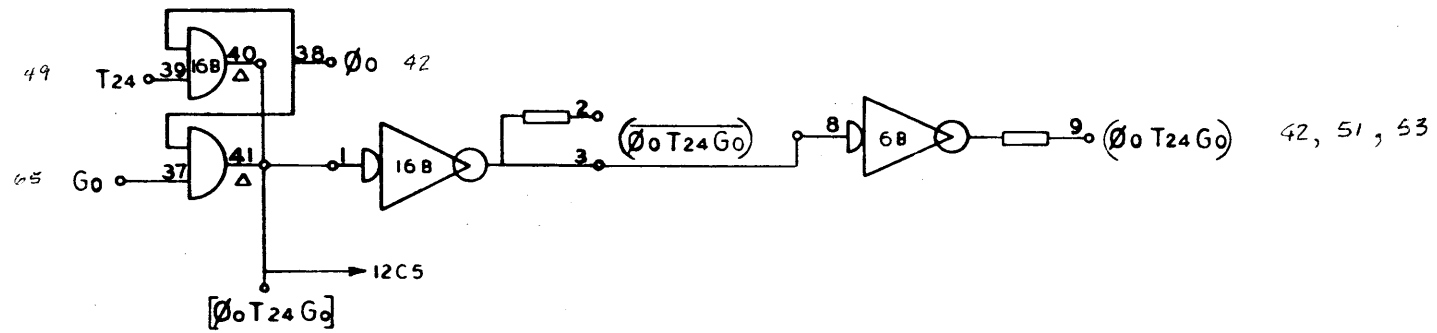
121

101702
A

| NO. REQ | DRAWING NO. | DESCRIPTION | REFERENCE DESIGNATION | ITEM NO. |
|-----------------------------|-------------|----------------------|---|----------|
| MATERIAL LIST | | | | |
| NOTES UNLESS SPECIFIED | | | | |
| 1. TOLERANCES | | | | |
| 2. SEE 2-940 | | | | |
| 3. BREAK ALL SHARP EDGES | | | | |
| 4. HATCH SURFACES | | | | |
| 5. ALL DIM. IN INCHES | | | | |
| DRAWN | | CHK | DATE | |
| CHECK | | CHK | DATE | |
| APPR. | | | | |
| SDS SCIENTIFIC DATA SYSTEMS | | | 1545 FIFTEENTH STREET, SANTA MONICA, CALIFORNIA | |
| TITLE | | | DIAGRAM, LOGIC COMPUTER | |
| MODEL NO. | | SIZE | DWG. NO. | |
| NEXT ASSY. | | D | 101702 | A |
| SCALE | | DO NOT SCALE DRAWING | | SHEET |

88- Su, Sv, Dc, Dc

| REV | | DESCRIPTION | CHEK DATE | APPROVED |
|-----|--|-------------|-----------|----------|
| A | | REL TO MFG | | |



122

910
PAGE 89
A

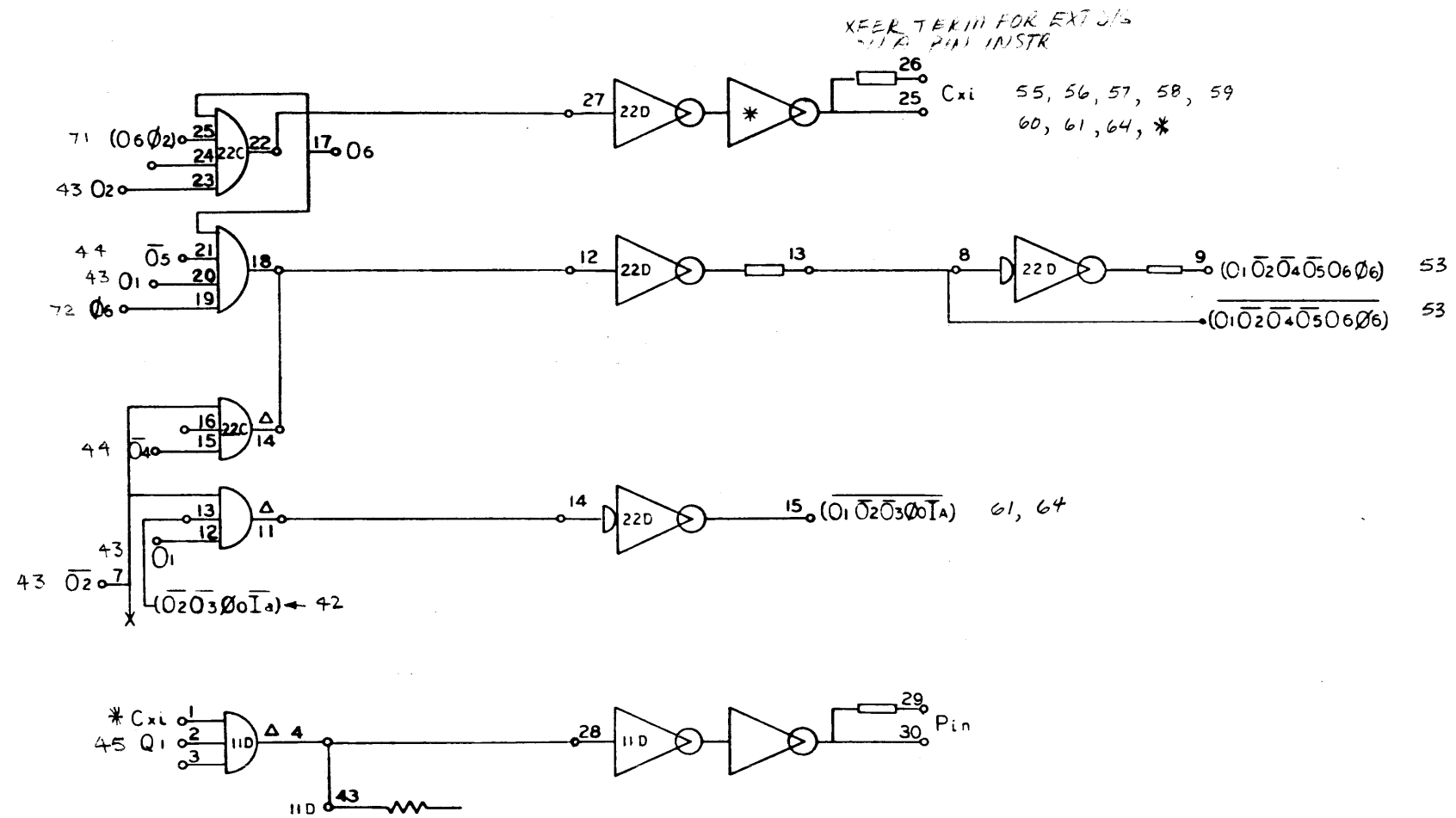
101702
A

| NO. REQ. | DRAWING NO. | DESCRIPTION | REFERENCE DESIGNATION | ITEM NO. |
|---|-------------|-------------|--------------------------------------|----------|
| NOTES UNLESS SPECIFIED 1. TOLERANCES XX ± 0.00 ANGLAR ± 1/2° XX ± 0.01 2. BREAK ALL SHARP EDGES 3. HIDE APPROX. 4. BACK SURFACES ✓ 5. ALL DIM. IN INCHES | | | | |
| DRAWN | | 1.6 | 1.10 | |
| CHECK | | 1.4 | 1.10 | |
| APPR. | | 1.10 | 1.10 | |
| MATERIAL LIST SDS SCIENTIFIC DATA SYSTEMS 1548 FIFTEENTH STREET SANTA MONICA CALIFORNIA | | | TITLE DIAGRAM, LOGIC, COMPUTER | |
| MODEL NO. | | | SIZE | DWG NO. |
| NEXT ASBY. | | | D | 101702 |
| SCALE | | | DO NOT SCALE DRAWING | SHEET |

(Ø0 T24 G0)

89

| REVISIONS | | | |
|-----------|-------------|-----|------|
| REV | DESCRIPTION | CHE | DATE |
| A | REL TO MFG | | |



123

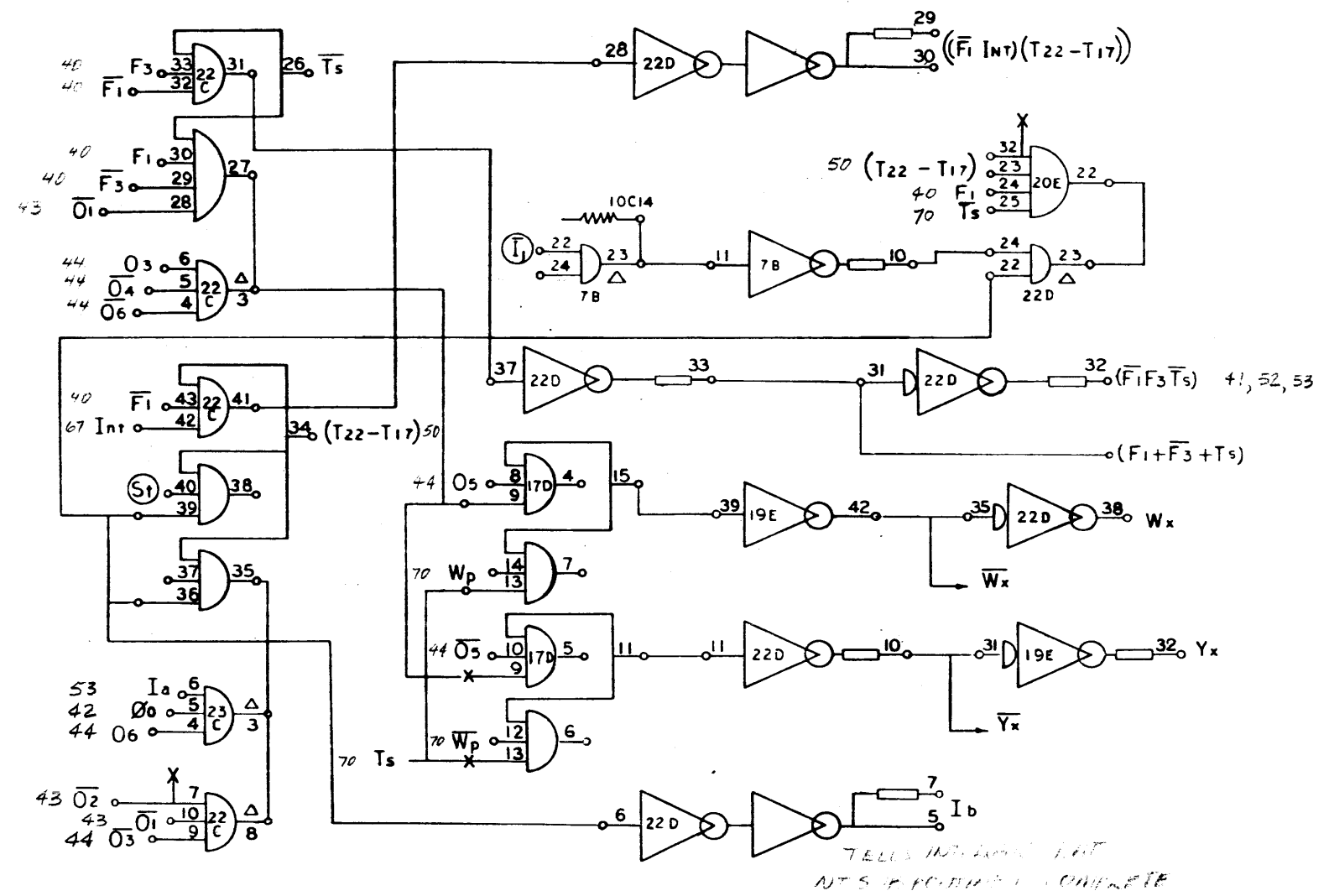
101702
A

910
PAGE 90
A

| NO. REQ | DRAWING NO. | DESCRIPTION | REFERENCE DESIGNATION | ITEM NO. |
|---------------------------------------|-------------|-----------------------|-----------------------|---|
| MATERIAL LIST | | | | |
| NOTES UNLESS SPECIFIED | | DRAWN <i>LP</i> | DATE <i>12-22-62</i> | SDS SCIENTIFIC DATA SYSTEMS 1545 FIFTEENTH STREET SANTA MONICA CALIFORNIA |
| 1. TOLERANCES UNLESS SPECIFIED | | CHECK <i>SH</i> | DATE <i>12-26-62</i> | |
| 2. BREAK ALL SHARP EDGES .510 APPROX. | | APPR. <i>SH</i> | | |
| 3. HATCH SURFACES ✓ | | | | |
| 4. ALL DIM. IN INCHES | | | | |
| MODEL NO. | | DWS NO. 101702 | | A |
| NEXT ASSY. | | SCALE | | |
| | | DO NOT SCALE DRAWING | | SHEET |

90 Cxi, (01 02 04 05 06 06), (01 02 04 05 06 06), (01 02 03 00 Ia), Pin

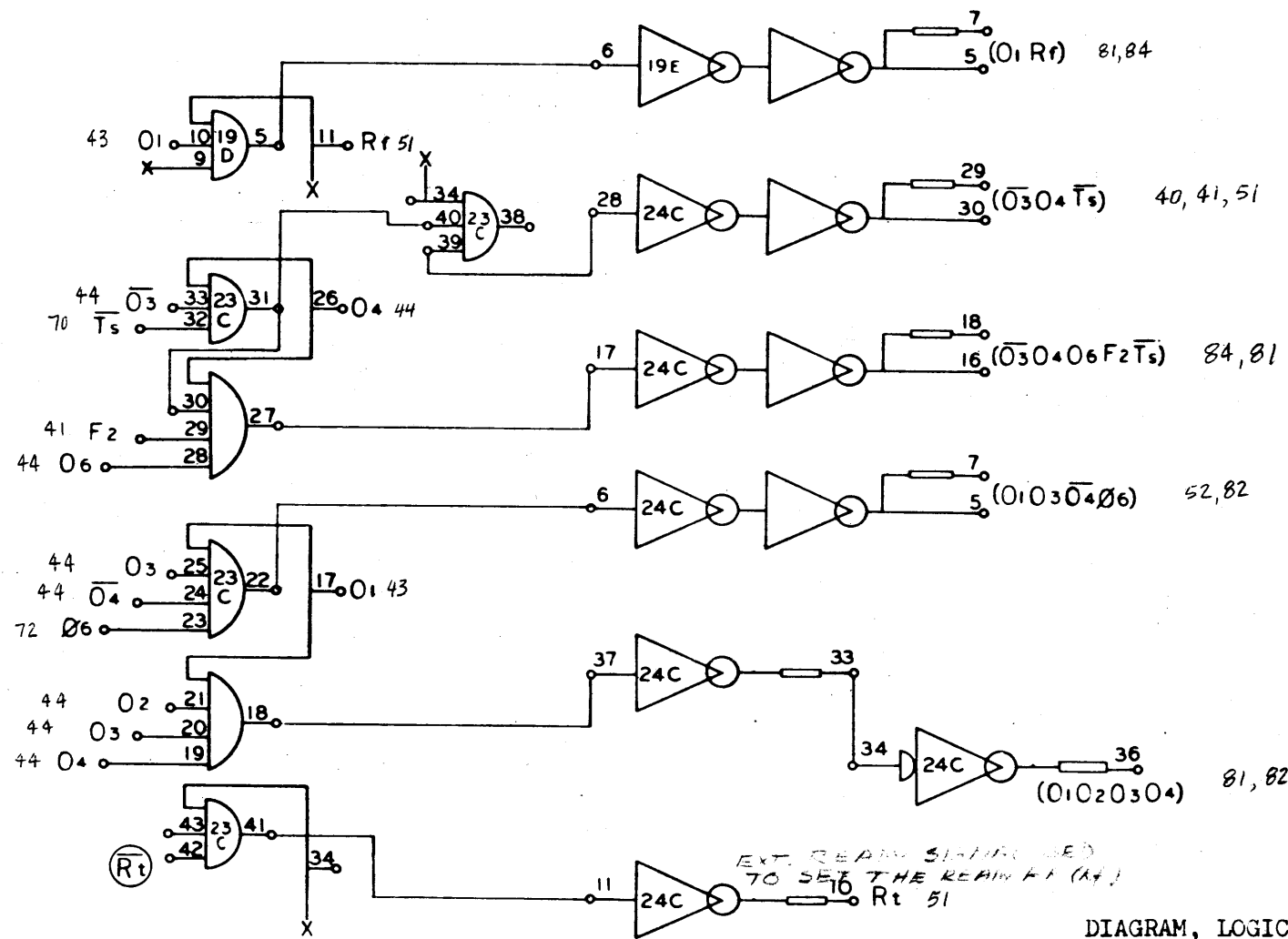
| REVISIONS | | | |
|-----------|-------------|-----|------|
| REV | DESCRIPTION | CHK | DATE |
| A | REL TO MFG | | |



910
PAGE 91
A

| REV | DRAWING NO. | DESCRIPTION | REFERENCE DESIGNATION | ITEM NO. |
|-------------------------|------------------|-------------|-----------------------|----------|
| | | | | |
| MATERIAL LIST | | | | |
| NOTES UNLESS SPECIFIED | | | | |
| 1. TOLERANCES | UNLESS SPECIFIED | | | |
| 2. DIMENSIONS | ANGULAR | | | |
| 3. HOLE DIMENSIONS | | | | |
| 4. HOLE LOCATIONS | | | | |
| 5. HOLE DEPTHS | | | | |
| 6. HOLE RADIUS | | | | |
| 7. HOLE DIAMETER | | | | |
| 8. HOLE LENGTH | | | | |
| 9. HOLE POSITION | | | | |
| 10. HOLE SPACING | | | | |
| 11. HOLE TOLERANCE | | | | |
| 12. HOLE FINISH | | | | |
| 13. HOLE DRILLING | | | | |
| 14. HOLE TAPPING | | | | |
| 15. HOLE THREADING | | | | |
| 16. HOLE POLISHING | | | | |
| 17. HOLE GRINDING | | | | |
| 18. HOLE LAPPING | | | | |
| 19. HOLE HONING | | | | |
| 20. HOLE REAMING | | | | |
| 21. HOLE BORE | | | | |
| 22. HOLE SURFACE | | | | |
| 23. HOLE EDGE | | | | |
| 24. HOLE CORNER | | | | |
| 25. HOLE CHAMFER | | | | |
| 26. HOLE BEVEL | | | | |
| 27. HOLE FLANGE | | | | |
| 28. HOLE GROOVE | | | | |
| 29. HOLE RIB | | | | |
| 30. HOLE SLOT | | | | |
| 31. HOLE KEYWAY | | | | |
| 32. HOLE KEY | | | | |
| 33. HOLE PIN | | | | |
| 34. HOLE SCREW | | | | |
| 35. HOLE NUT | | | | |
| 36. HOLE WASHER | | | | |
| 37. HOLE BRACKET | | | | |
| 38. HOLE PLATE | | | | |
| 39. HOLE RING | | | | |
| 40. HOLE FLANGE | | | | |
| 41. HOLE GASKET | | | | |
| 42. HOLE O-RING | | | | |
| 43. HOLE SEAL | | | | |
| 44. HOLE COVER | | | | |
| 45. HOLE CAP | | | | |
| 46. HOLE END | | | | |
| 47. HOLE HEAD | | | | |
| 48. HOLE BODY | | | | |
| 49. HOLE TAIL | | | | |
| 50. HOLE POINT | | | | |
| 51. HOLE TIP | | | | |
| 52. HOLE SHANK | | | | |
| 53. HOLE FLUTE | | | | |
| 54. HOLE CHIP | | | | |
| 55. HOLE SWarf | | | | |
| 56. HOLE BURR | | | | |
| 57. HOLE DIRT | | | | |
| 58. HOLE OIL | | | | |
| 59. HOLE COOLANT | | | | |
| 60. HOLE LUBRICANT | | | | |
| 61. HOLE CLEANER | | | | |
| 62. HOLE PROTECTANT | | | | |
| 63. HOLE PRESERVATIVE | | | | |
| 64. HOLE POLISH | | | | |
| 65. HOLE FINISH | | | | |
| 66. HOLE TREATMENT | | | | |
| 67. HOLE COATING | | | | |
| 68. HOLE PAINT | | | | |
| 69. HOLE VARNISH | | | | |
| 70. HOLE ENAMEL | | | | |
| 71. HOLE GLASS | | | | |
| 72. HOLE CERAMIC | | | | |
| 73. HOLE METAL | | | | |
| 74. HOLE WOOD | | | | |
| 75. HOLE PLASTIC | | | | |
| 76. HOLE RUBBER | | | | |
| 77. HOLE LEADER | | | | |
| 78. HOLE POINTER | | | | |
| 79. HOLE DIMENSION LINE | | | | |
| 80. HOLE EXTENSION LINE | | | | |
| 81. HOLE TRIM LINE | | | | |
| 82. HOLE OBJECT LINE | | | | |
| 83. HOLE CENTER LINE | | | | |
| 84. HOLE PHANTOM LINE | | | | |
| 85. HOLE BREAK LINE | | | | |
| 86. HOLE HIDDEN LINE | | | | |
| 87. HOLE SECTION LINE | | | | |
| 88. HOLE SURFACE LINE | | | | |
| 89. HOLE CUTTING PLANE | | | | |
| 90. HOLE FIRST ANGLE | | | | |
| 91. HOLE THIRD ANGLE | | | | |
| 92. HOLE ISOMETRIC | | | | |
| 93. HOLE PERSPECTIVE | | | | |
| 94. HOLE ORTHOGRAPHIC | | | | |
| 95. HOLE ISOMETRIC | | | | |
| 96. HOLE PERSPECTIVE | | | | |
| 97. HOLE ORTHOGRAPHIC | | | | |
| 98. HOLE ISOMETRIC | | | | |
| 99. HOLE PERSPECTIVE | | | | |
| 100. HOLE ORTHOGRAPHIC | | | | |

$((\bar{F}_1 \text{Int})(T_{22}-T_{17}), (\bar{F}_1 F_3 \bar{T}_s), (F_1 + \bar{F}_3 + T_s), W_x, \bar{W}_x, Y_x, \bar{Y}_x, I_b$



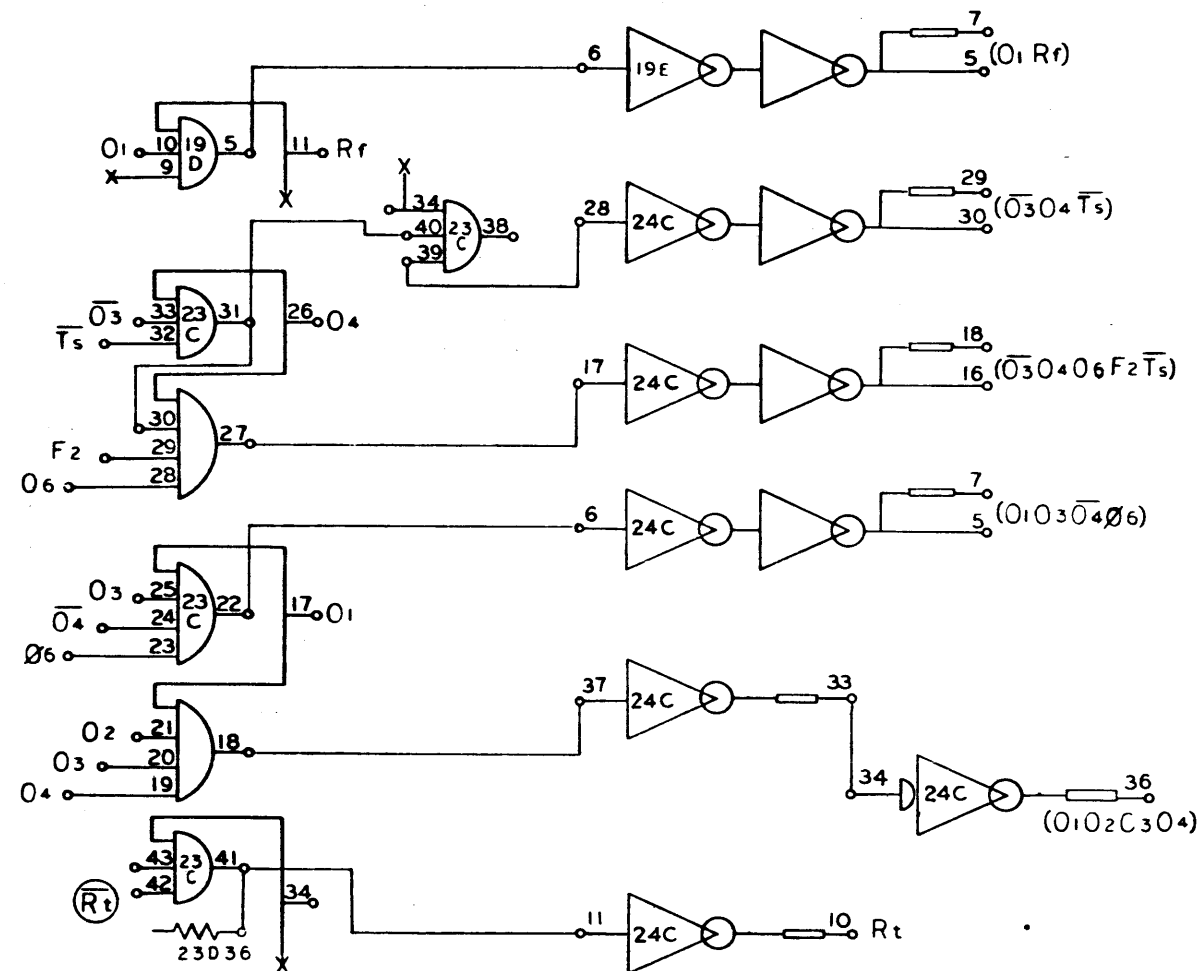
DIAGRAM, LOGIC, COMPUTER DWG. NO. 101702

Rt

125

92 $(O_1 R_f)$, $(\bar{O}_3 O_4 \bar{T}_s)$, $(\bar{O}_3 O_4 O_6 F_2 \bar{T}_s)$, $(O_1 O_3 \bar{O}_4 \bar{O}_6)$, $(O_1 O_2 O_3 O_4)$, Rt

| REVISIONS | | | | 01702 | F |
|-----------|--------------|-----|------|----------|---|
| REV | DESCRIPTION | CHK | DATE | APPROVED | |
| A | REL TO MFG | | | | |
| F | SEE REV E.O. | | | | |

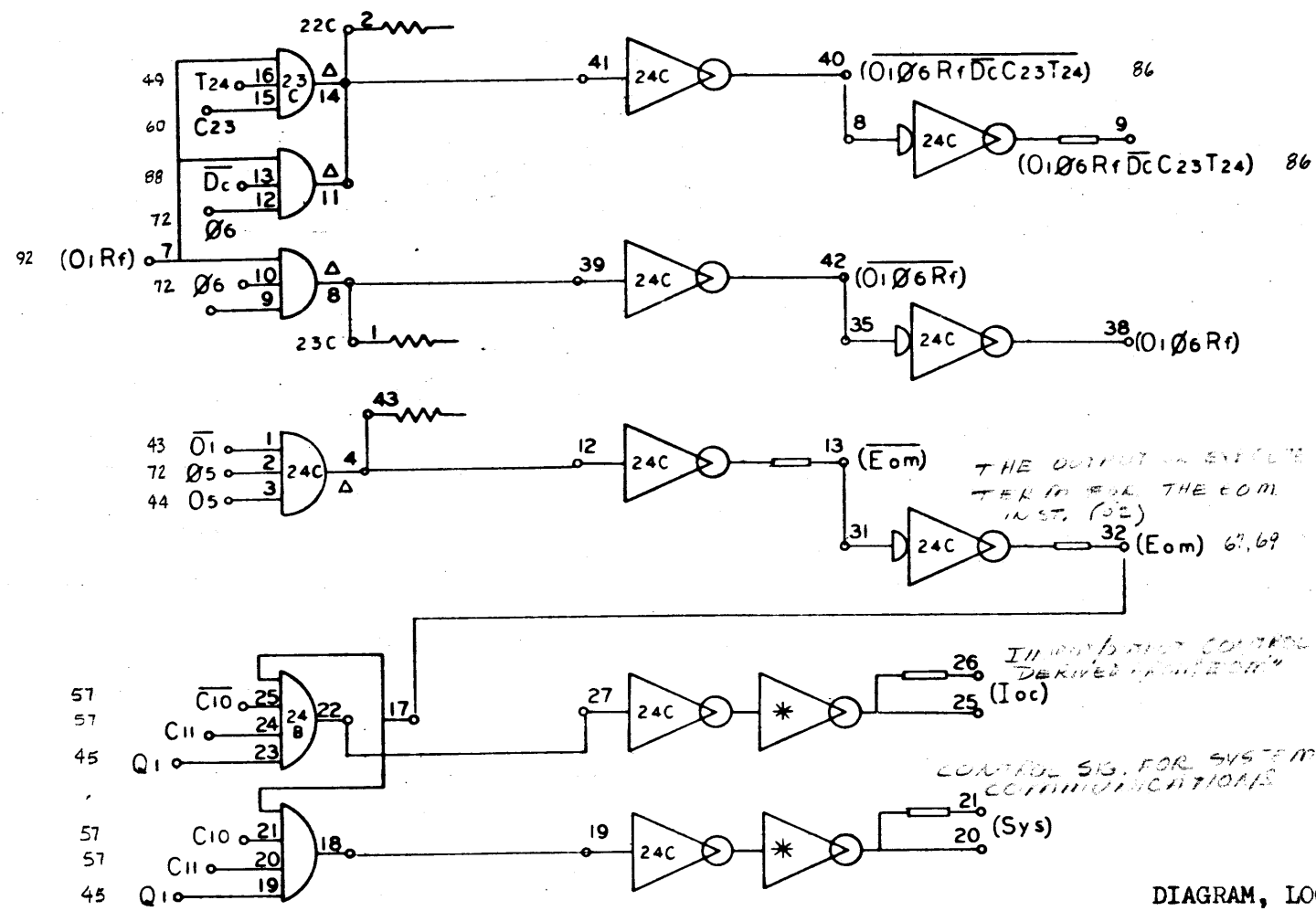


126

910
PAGE 92
F

| REV | DRAWING NO. | DESCRIPTION | REFERENCE DESIGNATION | ITEM NO. | |
|---|-------------|-------------|--|----------|-----------------------------|
| MATERIAL LIST | | | | | |
| NOTES UNLESS SPECIFIED | | DRAWN | SDS SCIENTIFIC DATA SYSTEMS 1542 FIFTEENTH STREET SANTA MONICA, CALIFORNIA | | |
| 1. TOLERANCES 25 ± .010 ANGULAR 30 ± .010 | | CHECK | | | TITLE |
| 2. BREAK ALL SHARP EDGES 3. HIDE SURFACES ✓ 4. ALL DIM. IN INCHES | | APPR. | | | DIAGRAM, LOGIC, COMPUTER |
| MODEL NO. | | REV | DWG NO. | ITEM NO. | |
| | | D | 101702 | F | |
| NEXT ASSY. | | SCALE | DO NOT SCALE DRAWING | SHEET | |

SEE PREVIOUS PAGE



DIAGRAM, LOGIC,
COMPUTER DWG. NO. 101702

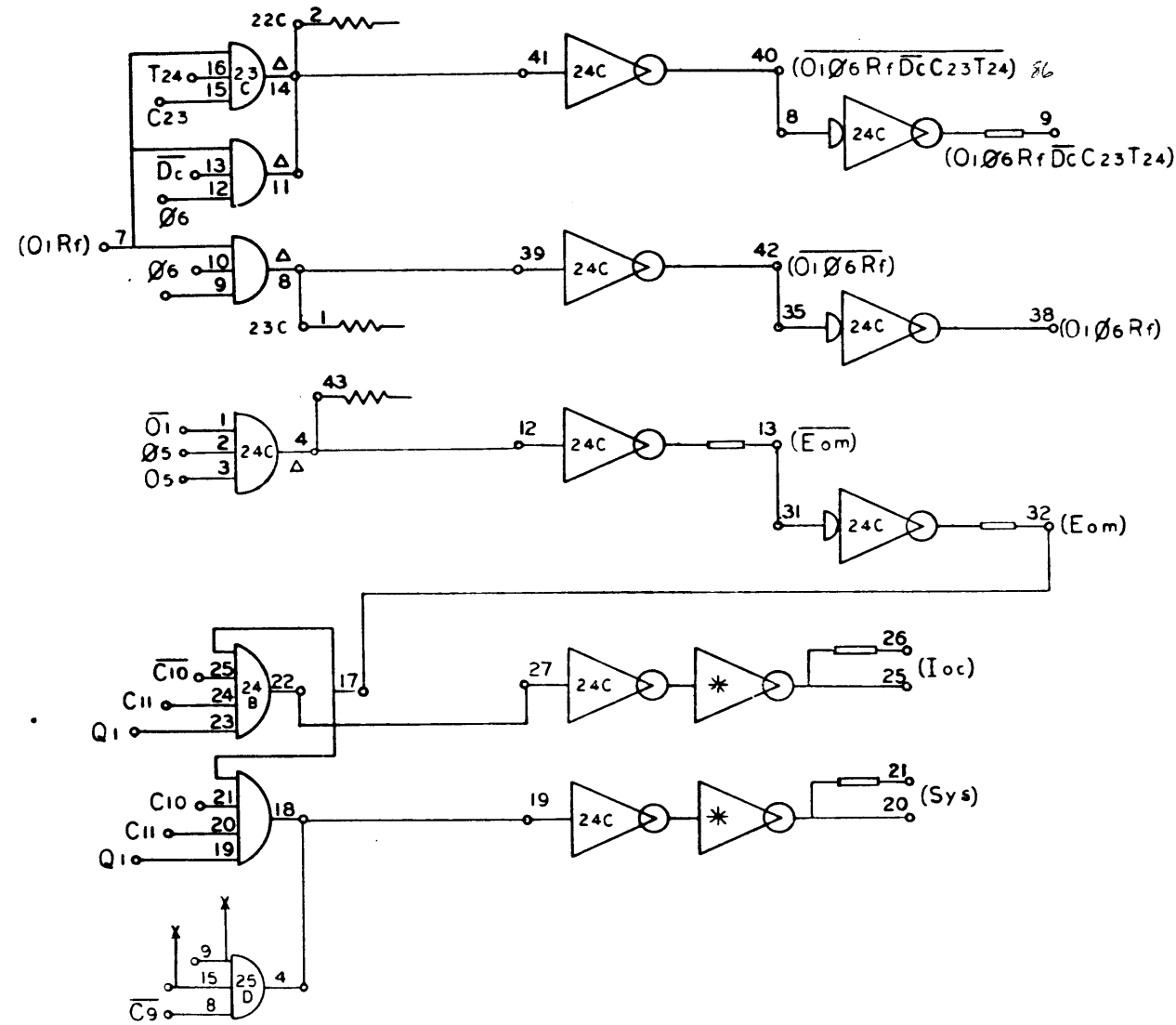
127

93

$(\overline{O_1 O_6 R_f \overline{D_c C_{23} T_{24}}})$, $(O_1 O_6 R_f \overline{D_c C_{23} T_{24}})$, $(\overline{O_1 O_6 R_f})$, (\overline{Eom}) , (Ioc) , (Sys)

128

| REVISIONS | | | | |
|-----------|-------------------|-----|------|---------|
| REV | DESCRIPTION | CHK | DATE | APPROVD |
| A | REL TO MFG | | | |
| J | SEE REVISION E.D. | | | |



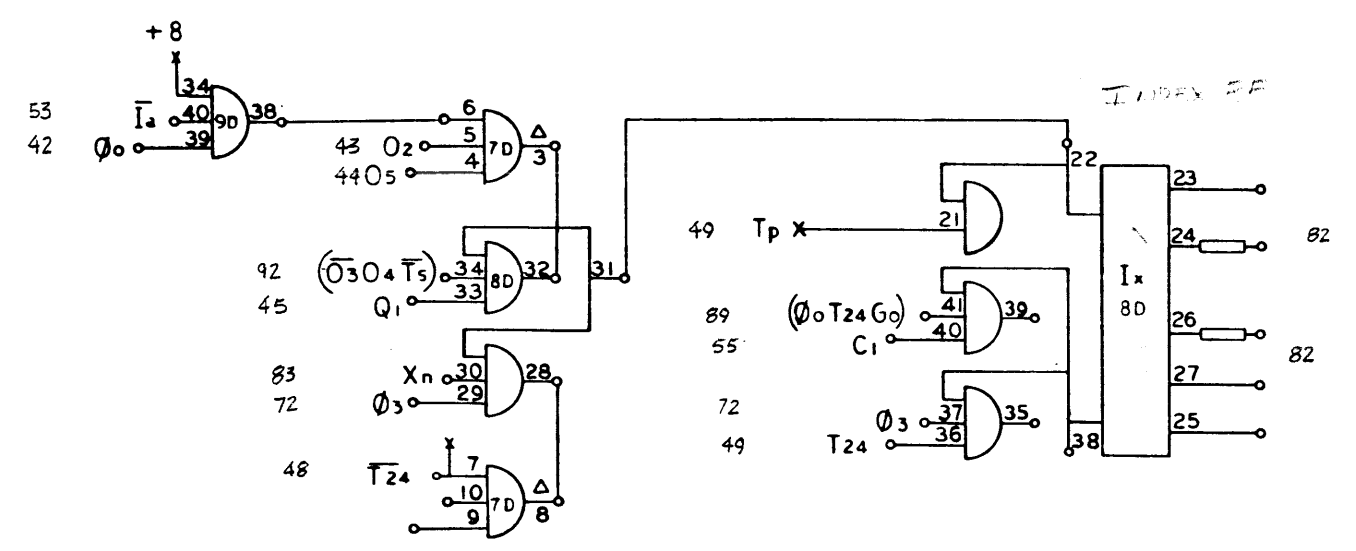
910
PAGE 93
J

| NO. REG | DRAWING NO. | DESCRIPTION | REFERENCE DESIGNATION | ITEM NO. |
|--|-------------|---|-----------------------|----------|
| NOTES UNLESS SPECIFIED 1. TOLERANCES 25 ± 0.00 ANGULAR 25 ± 0.10 2. BREAK ALL SHARP EDGES 3. HIDDEN SURFACES 4. ALL DIM. IN INCHES | | | | |
| DRAWN: J.C. CHECK: J.F. APPR: | | SDS SCIENTIFIC DATA SYSTEMS 1542 FIFTEENTH STREET, SANTA MONICA, CALIFORNIA | | |
| MODEL NO. 910 NEXT ABBY: | | TITLE: DIAGRAM, LOGIC, COMPUTER SIZE: D DWS NO.: 101702 | | |
| SCALE | | DO NOT SCALE DRAWING SHEET | | |

SEE PREVIOUS PAGE

93

| REV | | DESCRIPTION | | CHK | | DATE | | APPROVED | |
|-----|--|-------------|--|-----|--|------|--|----------|--|
| A | | REL TO MFG | | | | | | | |



910
PAGE 94
A

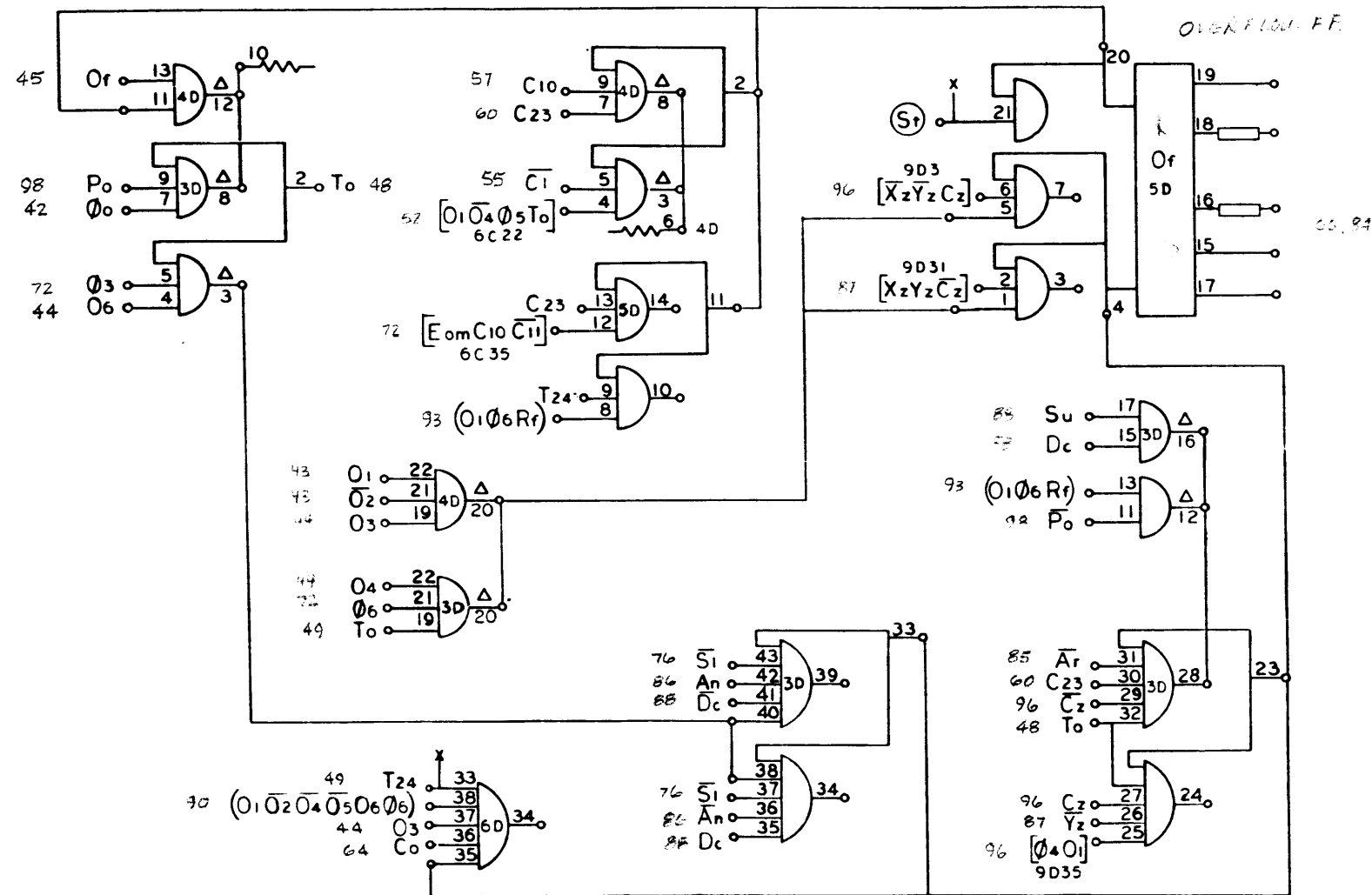
129

101702
A

| DWG. NO. | DRAWING NO. | DESCRIPTION | REFERENCE DESIGNATION | ITEM NO. |
|--|-------------|--|----------------------------|----------|
| | | MATERIAL LIST | | |
| NOTES UNLESS SPECIFIED | | DRAWN | CHECK | APPR. |
| 1. DIMENSIONS UNLESS SPECIFIED | | 2. 1/16" | 3. 1/32" | 4. 1/64" |
| 5. BREAK ALL SHARP EDGES 5/16" APPROX. | | | | |
| 6. HIDDEN SURFACES | | ✓ | | |
| 7. ALL DIM. IN INCHES | | | | |
| | | SDS SCIENTIFIC DATA SYSTEMS 1945 FIFTEENTH STREET, SANTA MONICA, CALIFORNIA | | |
| | | TITLE DIAGRAM, LOGIC, COMPUTER | | |
| MODEL NO. | | DWG. NO. | 101702 | |
| DATE | | SCALE | DO NOT SCALE DRAWING SHEET | |

94 Ix, Ix

| REVISIONS | | | |
|-----------|-------------|------|------|
| REV. | DESCRIPTION | CHK. | DATE |
| A | REF TO MFG | | |



130

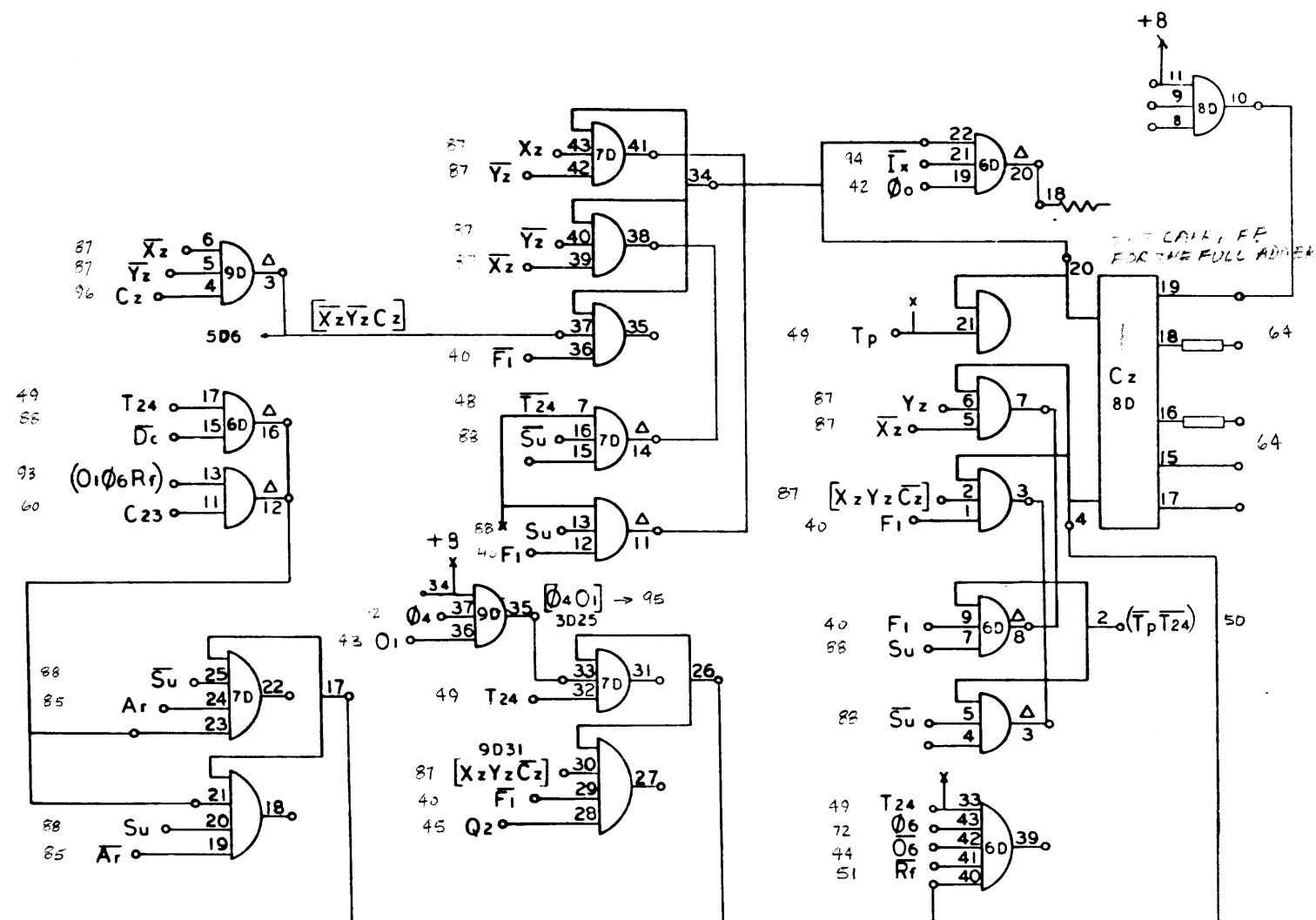
910
PAGE 95
A

101702 A

| DWG. NO. | DRAWING NO. | DESCRIPTION | REFERENCE DESIGNATION | ITEM NO. |
|--|-------------|--|----------------------------|----------|
| | | | | |
| MATERIAL LIST | | | | |
| NOTES UNLESS SPECIFIED: 1. TOLERANCES: LINEAR .005 ANGULAR .25° 2. DIMENSIONS ARE UNLESS OTHERWISE SPECIFIED 3. UNLESS OTHERWISE SPECIFIED, ALL DIMENSIONS ARE IN INCHES 4. ALL DIM. IN INCHES | | | | |
| CHECKED: [Signature] APPR: [Signature] | | SDS SCIENTIFIC DATA SYSTEMS 1545 FIFTEENTH STREET SANTA MONICA, CALIFORNIA | | |
| MODEL NO. NEXT ASSY. | | TITLE: DIAGRAM, LOGIC, COMPUTER | | |
| | | SIZE: D DWG. NO.: 101702 | SHEET: A | |
| | | SCALE: | DO NOT SCALE DRAWING SHEET | |

Of, Of 95

| REV | DESCRIPTION | CHK | DATE | APPROVED |
|-----|-------------|-----|------|----------|
| A | REL TO MFG | | | |



910
PAGE 96
A

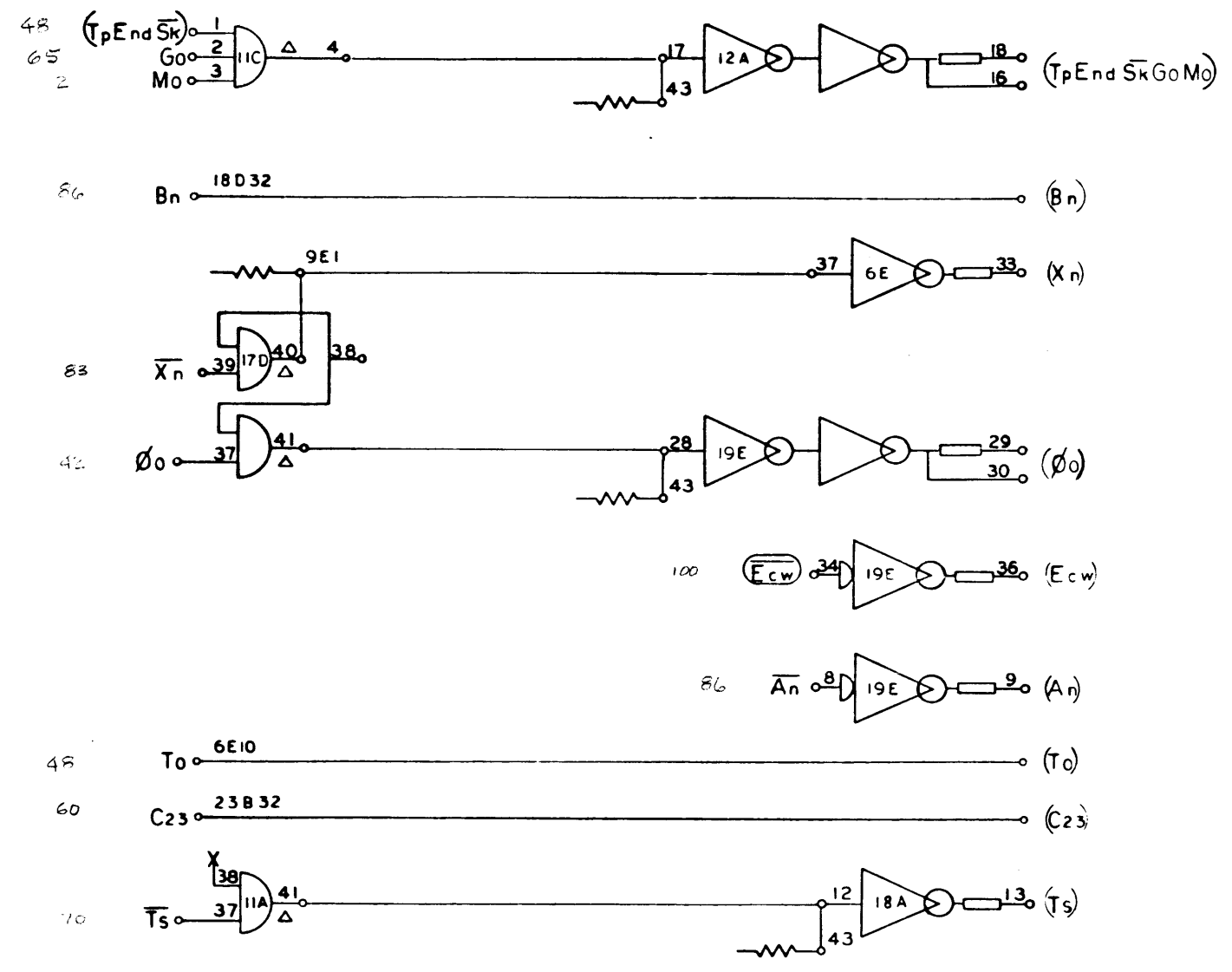
131

101702 A

| REV | DRAWING NO. | DESCRIPTION | REFERENCE DESIGNATION | ITEM NO. |
|--|-------------|-------------|--|----------|
| MATERIAL LIST | | | | |
| NOTES UNLESS SPECIFIED | | DRAWN | DATE | |
| 1. TOLERANCES DIM. ±.005 ANGULAR SEE 2.910 ±.5° | | CHECK | DATE | |
| 3. CHAM ALL SHARP EDGES .075 RADIUS | | APPR | DATE | |
| 4. ALL DIM. IN INCHES | | | | |
| SDS SCIENTIFIC DATA SYSTEMS 1540 FIFTEENTH STREET SANTA MONICA, CALIFORNIA | | | TITLE DIAGRAM, LOGIC, COMPUTER | |
| LOGG. NO. | | REV | DWG. NO. | |
| | | D | 101702 | |
| NEXT ASSY. | | SCALE | DO NOT SCALE DRAWING | SHEET |

96 $\overline{Xz} \overline{Yz} Cz$, Cz , \overline{Cz}

| REVISIONS | | | |
|-----------|-------------|-----|------|
| REV | DESCRIPTION | CHK | DATE |
| 1 | REL TO MFG | | |



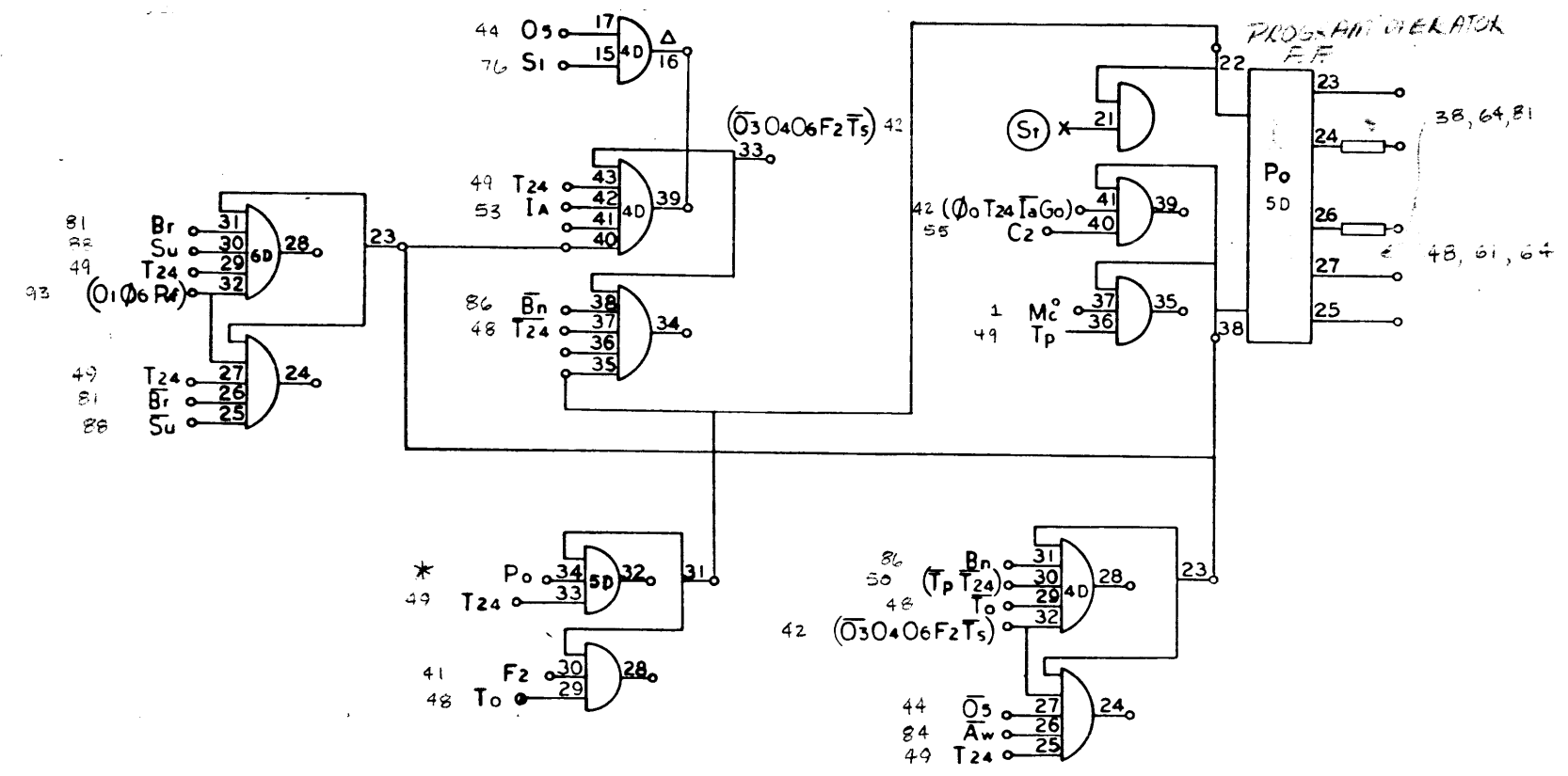
132

910
PAGE 97
A

| NO. REQ. | BRAWING NO. | DESCRIPTION | REFERENCE DESIGNATION | TER. NO. |
|--|-------------|-------------|---|----------|
| MATERIAL LIST | | | | |
| NOTES UNLESS SPECIFIED | | DRAWN | SDS DIGITIZING DATA SYSTEMS | |
| 1. TOLERANCES SEE 2-009 SEE 2-010 | | CHECK | 1943 FIFTEENTH STREET, SANTA MONICA, CALIFORNIA | |
| 2. BREAK ALL SHARP CORNERS AND SP. DIMS. | | APPR | TITLE | |
| 3. BACK SURFACES | | | DIAGRAM, LOGIC, COMPUTER | |
| 4. ALL DIMS. IN INCHES | | | MODEL NO. | |
| | | | SIZE DWS NO. | |
| | | | D 101702 | |
| | | | SCALE DO NOT SCALE DRAWING SHEET | |

$(\overline{T_pEndSk}GoMo)$, (B_n) , (X_n) , (ϕ_0) , (E_{cw}) , (A_n) , (T_0) , (C_{23}) , (T_s) 97

| REV | DESCRIPTION | CHE | DATE | APPROVED |
|-----|-------------|-----|------|----------|
| A | REL TO MFG | | | |



910
PAGE 93
A

133

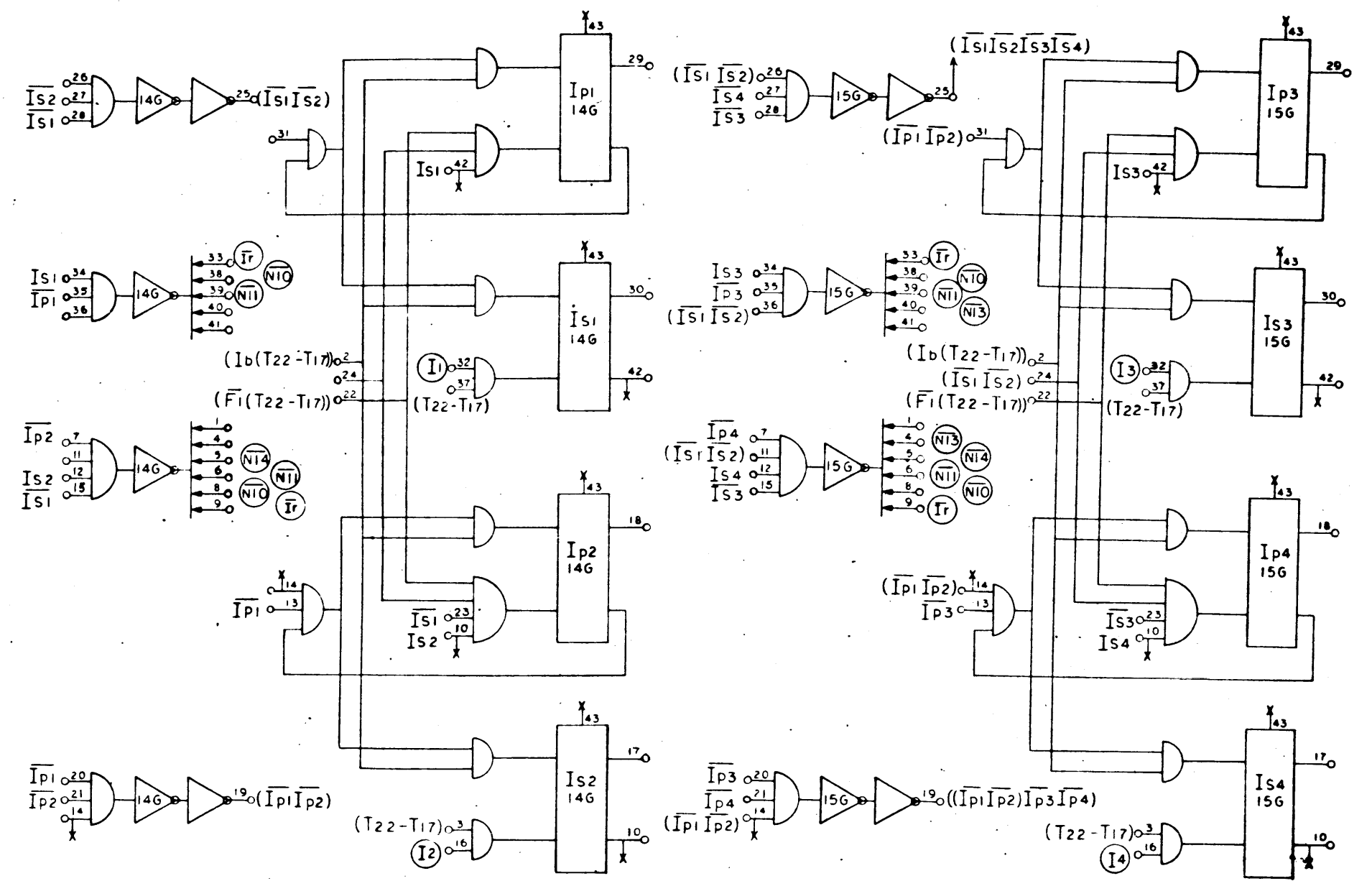
101702
A

| NO. REV | DRAWING NO. | DESCRIPTION | REFERENCE DESIGNATION | ITEM NO. |
|---|-------------|-----------------------------|-----------------------|---|
| MATERIAL LIST | | | | |
| NOTES UNLESS SPECIFIED | | DRAWN | 12-65 | <div style="text-align: center;"> <p>SDS SCIENTIFIC DATA SYSTEMS 1545 FIFTEENTH STREET, SANTA MONICA, CALIFORNIA</p> </div> |
| 1. TOLERANCES DIM 2.000 ANGULAR 3/16 2.000 2 1/2° | | CHECK | 10-74 | |
| 2. BREAK ALL SHARP EDGES 3.00 SURFACE 4. ALL DIM. IN INCHES | | APPR. | | |
| | | TITLE | | |
| | | DIAGRAM, LOGIC, COMPUTER | | |
| MODEL NO. | | D | | 101702 |
| NEXT ASSY. | | D | | A |
| | | SCALE | | SHEET |

98 Po, Po-bar

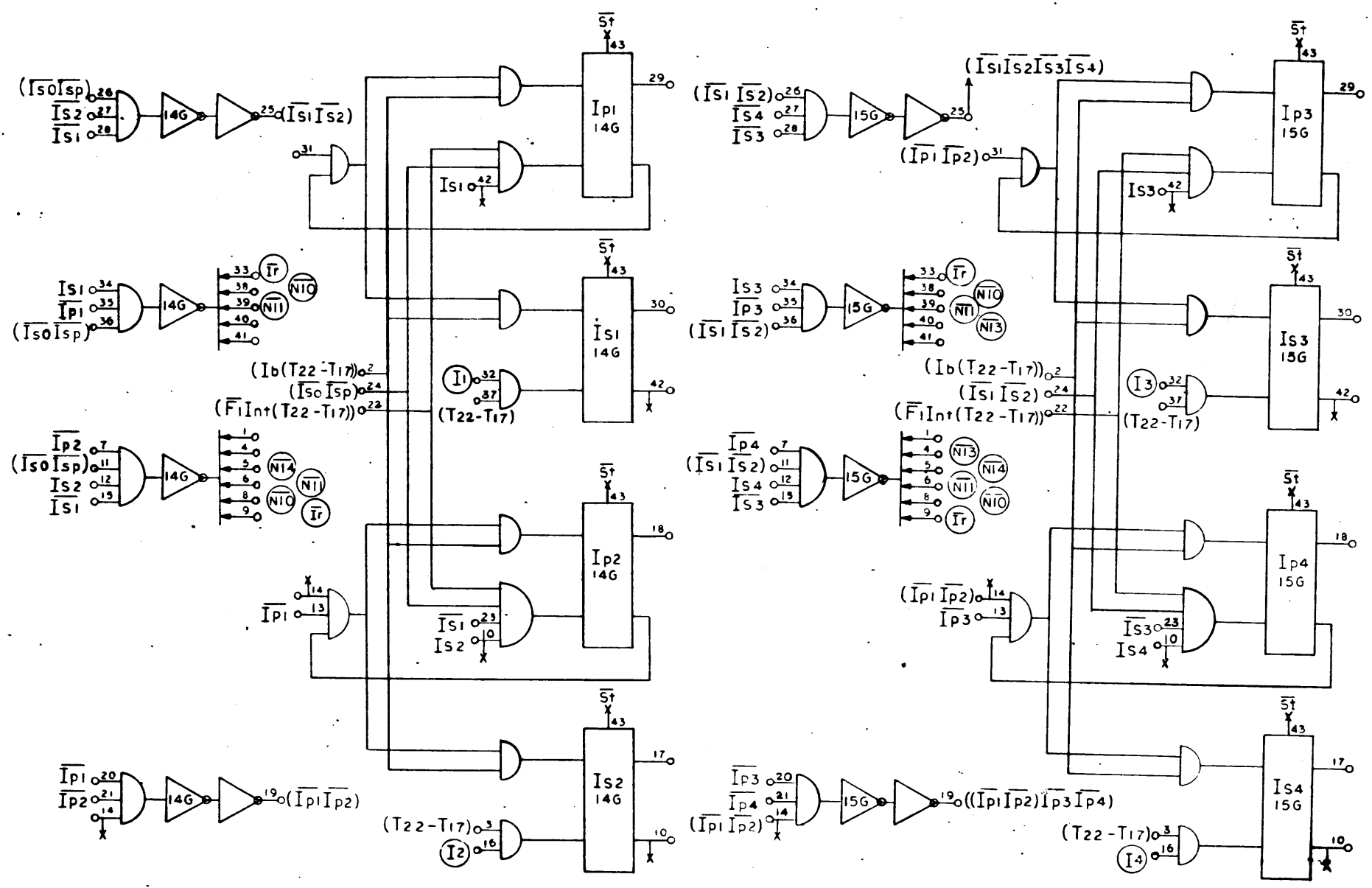
Ip1, Ip2: CPU COMPUTER HAS ENTERED THE INTERRUPT PROG
 Is1, Is2: SET REQUIRED FOR "Interrupt Present."

134



DIAGRAM, LOGIC
 COMPUTER DWG. NO. 101702

| REVISIONS | | | | DATE | APPROVED |
|-----------|--------------|-----|------|----------|----------|
| REV | DESCRIPTION | CHK | DATE | APPROVED | |
| A | REL TO MFG | | | | |
| G | SEE REV E.O. | | | | |



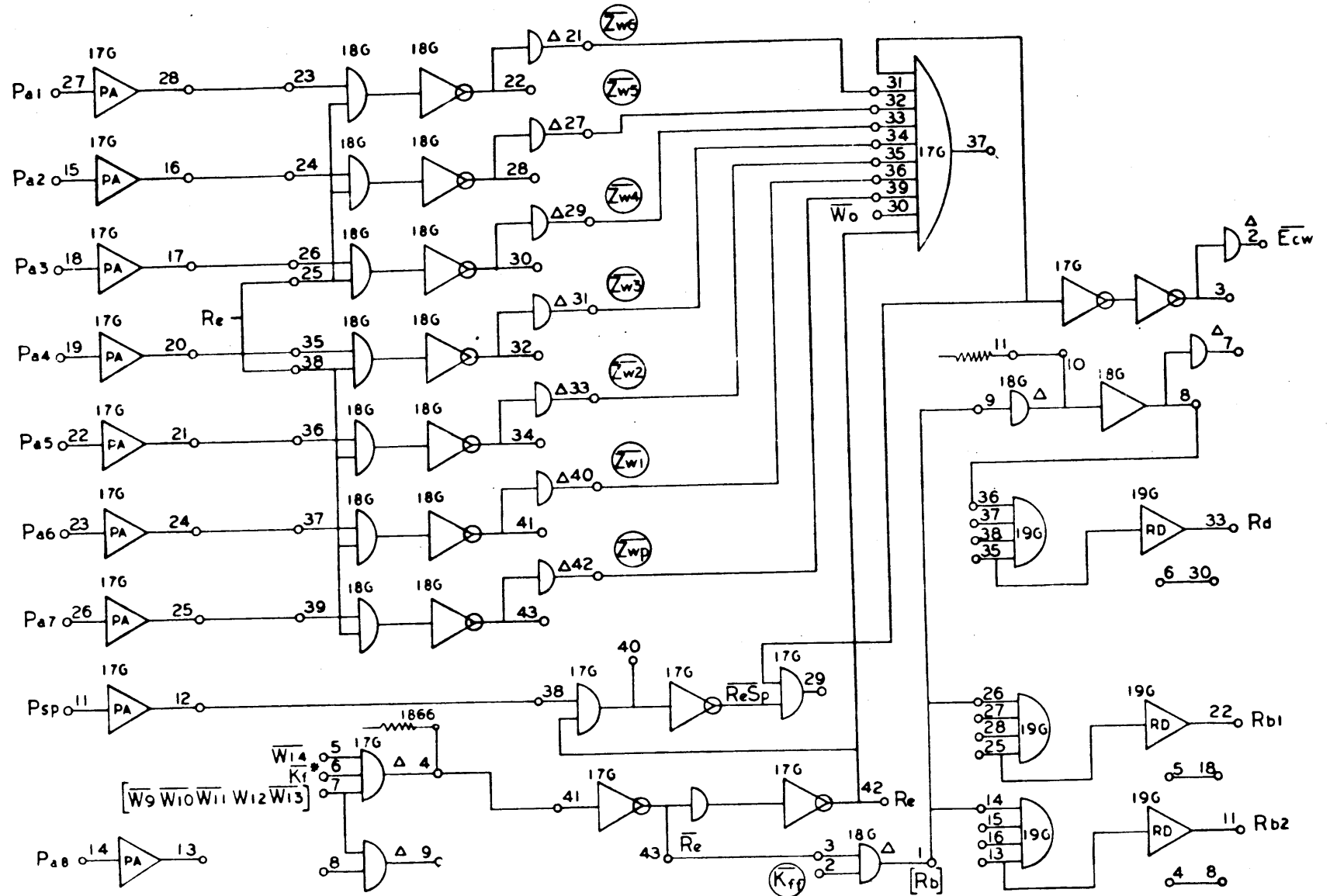
910-920
Priority Interrupt
Page 99
G

135

101702 G

| NO. REQ. | DRAWING NO. | DESCRIPTION | REFERENCE DESIGNATION | ITEM NO. |
|---|-------------|--|-----------------------|----------|
| MATERIAL LIST | | | | |
| NOTES UNLESS SPECIFIED 1. TOLERANCES: .0005 ANGULAR 2. BREAK ALL SHARP EDGES AND CORNERS 3. DIM. SURFACES 4. ALL DIM. IN INCHES | | | | |
| DRAWN: <i>AK</i> CHECK: <i>AF</i> APPR: <i>11-20</i> | | SDS SCIENTIFIC DATA SYSTEMS 1542 FIFTEENTH STREET SANTA MONICA, CALIFORNIA | | |
| MODEL NO. NEXT ASST. | | TITLE DIAGRAM, LOGIC, COMPUTER | | |
| | | SEE DWG NO. D 101702 | G | |
| | | SCALE | DO NOT SCALE DRAWING | SHEET |

136

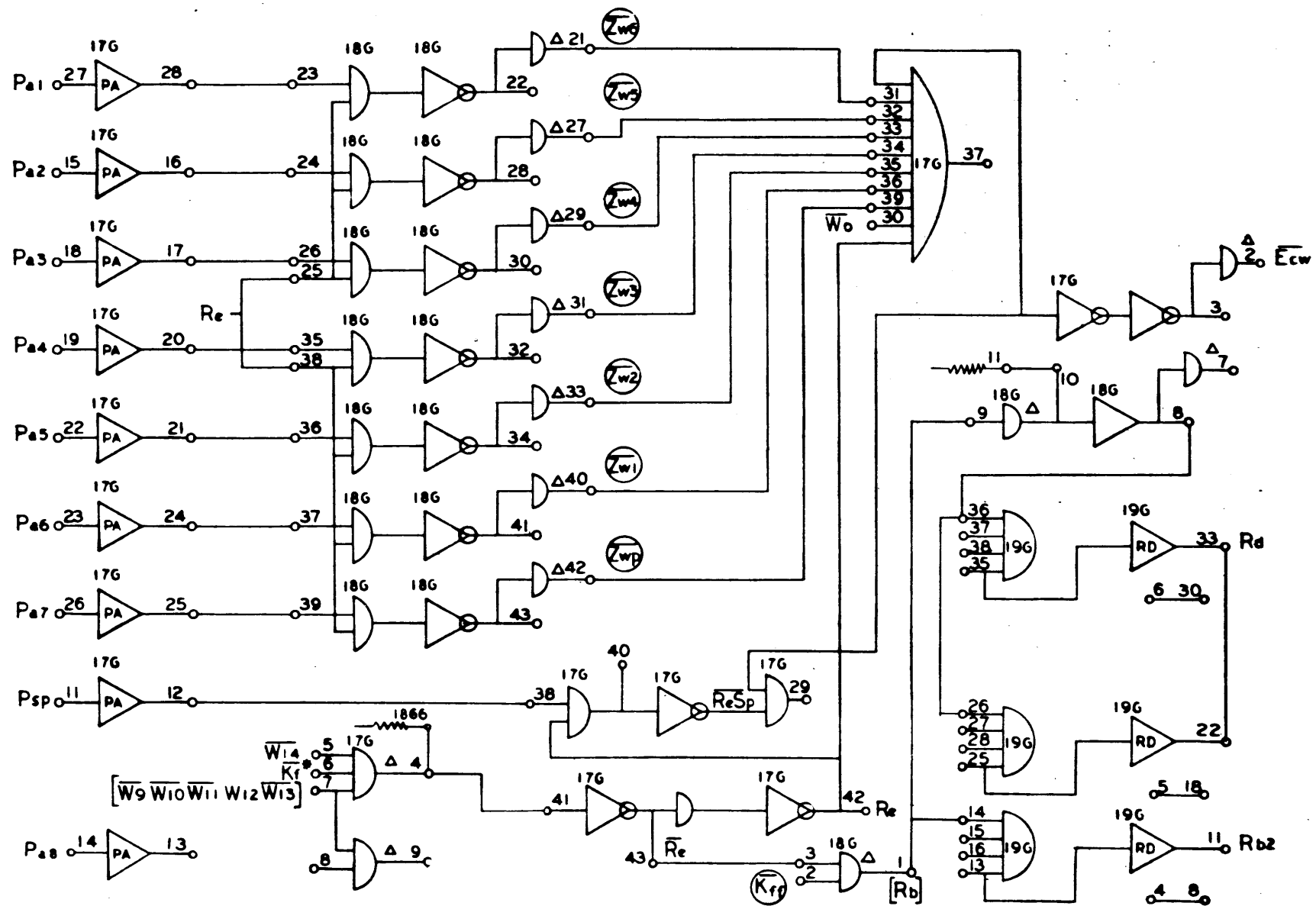


Photocell 17G10 - Par
 Reference
 Reader Relay 19G40
 Drive Common COMMON

$$E_{cw} = \bar{Z}_{w1} \bar{Z}_{w2} \bar{Z}_{w3} \bar{Z}_{w4} \bar{Z}_{w5} \bar{Z}_{w6} \bar{Z}_{wp} \bar{W}_0 Re + (Re Sp)$$

$$\therefore E_{cw} = (Z_{w1} + Z_{w2} + Z_{w3} + Z_{w4} + Z_{w5} + Z_{w6} + Z_{wp} + W_0 + \bar{Re}) (Re Sp)$$

DIAGRAM, LOGIC,
 COMPUTER DWJ. NC. 101702



Photocell 17G10 - Par
Reference
Reader Relay 19G40 COMMON
Drive Common

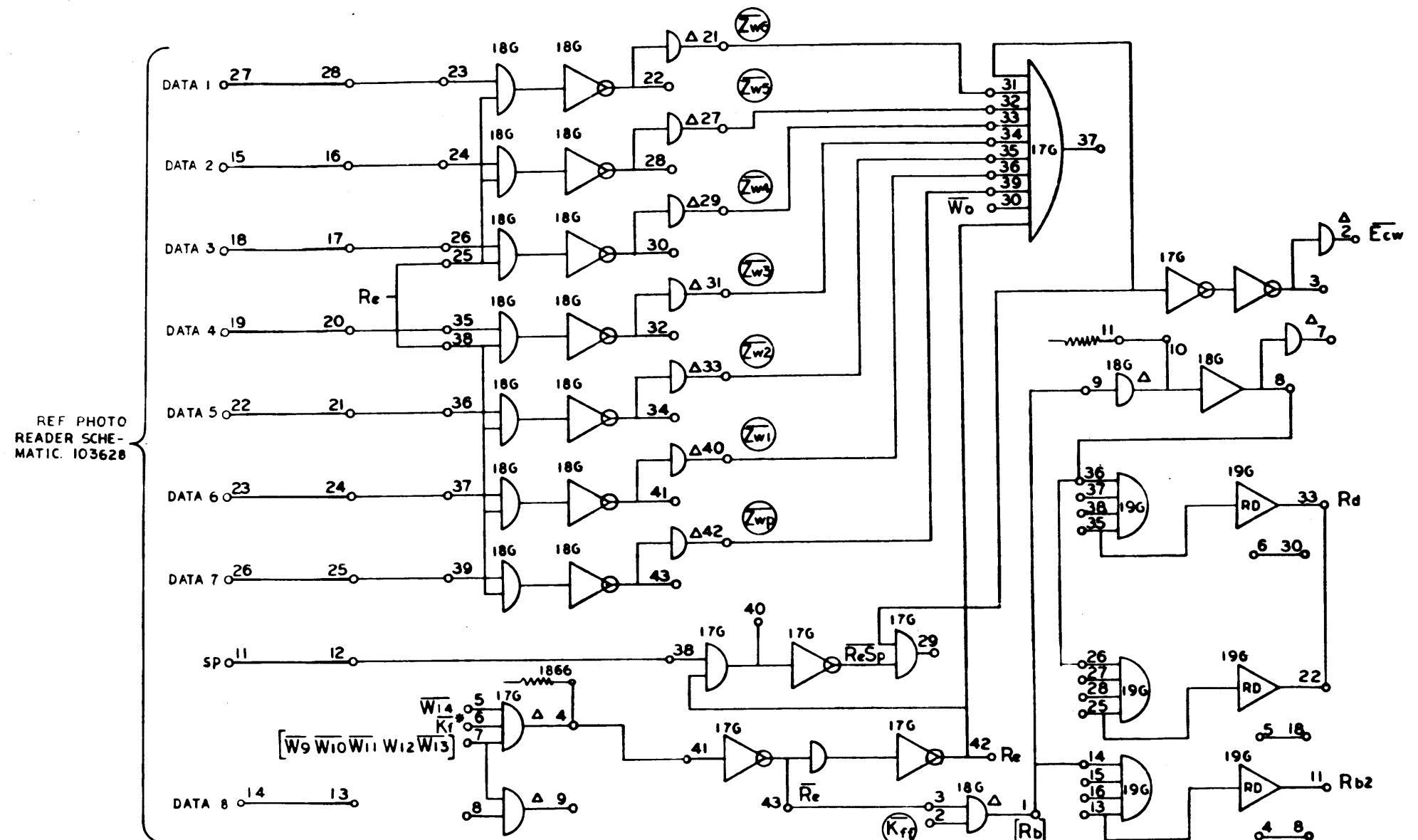
$$E_{cw} = \overline{Zw1} \overline{Zw2} \overline{Zw3} \overline{Zw4} \overline{Zw5} \overline{Zw6} \overline{Zwp} \overline{Wo} Re + (\overline{Re} Sp)$$

$$\therefore E_{cw} = (Zw1 + Zw2 + Zw3 + Zw4 + Zw5 + Zw6 + Zwp + Wo + \overline{Re}) (\overline{Re} Sp)$$

DIAGRAM, LOGIC
COMPUTER DWG. NO. 101702

910-920
Photo Reader
Page 100
F

138



REF PHOTO READER SCHEMATIC 103628

Photocell 17G10 - Par Reference
 Reader Relay 19G40 COMMON
 Drive Common

$$E_{cw} = \overline{Zw1} \overline{Zw2} \overline{Zw3} \overline{Zw4} \overline{Zw5} \overline{Zw6} \overline{Zwp} \overline{W0} Re + (ReSp)$$

$$\therefore E_{cw} = (Zw1 + Zw2 + Zw3 + Zw4 + Zw5 + Zw6 + Zwp + W0 + Re) (ReSp)$$

DIAGRAM, LOGIC,
 COMPUTER DWG. NO. 101702
 910-920 Photo Reader
 Page 100
 L

PIN LOCATOR - ROW B

| LOC | 1 | LOC | 2 | LOC | 3 | LOC | 4 | LOC | 5 | LOC | 6 | LOC | 7 | LOC | 8 | LOC | 9 | LOC | 10 | LOC | 11 | LOC | 12 | LOC | 13 |
|-----|------|-----|------|-----|------|-----|---------|-----|------|-----|------|-----|------|-----|--------|-----|------|-----|------|-----|------|-----|--------|-----|------|
| PIN | PAGE | PIN | PAGE | PIN | PAGE | PIN | PAGE | PIN | PAGE | PIN | PAGE | PIN | PAGE | PIN | PAGE | PIN | PAGE | PIN | PAGE | PIN | PAGE | PIN | PAGE | PIN | PAGE |
| 1 | 88 | 1 | 61 | 1 | 71 | 1 | 66 | 1 | 63 | 1 | 61 | 1 | 63 | 1 | 63 | 1 | 60 | 1 | 77 | 1 | 62 | 1 | 74 | 1 | 74 |
| 2 | | 2 | 88 | 2 | | 2 | | 2 | 63 | 2 | | 2 | | 2 | 66 | 2 | 64 | 2 | 64 | 2 | 64 | 2 | 74 | 2 | 74 |
| 3 | | 3 | | 3 | 71 | 3 | | 3 | 66 | 3 | | 3 | | 3 | 72 | 3 | | 3 | | 3 | | 3 | 74 | 3 | 74 |
| 4 | | 4 | | 4 | 71 | 4 | | 4 | | 4 | | 4 | | 4 | | 4 | | 4 | | 4 | | 4 | 64 | 4 | 55 |
| 5 | | 5 | | 5 | 71 | 5 | | 5 | | 5 | | 5 | 60 | 5 | | 5 | | 5 | | 5 | | 5 | 55 | 5 | |
| 6 | | 6 | | 6 | 71 | 6 | | 6 | | 6 | | 6 | 60 | 6 | | 6 | | 6 | 66 | 6 | | 6 | 55 | 6 | |
| 7 | | 7 | | 7 | 61 | 7 | | 7 | 63 | 7 | | 7 | 60 | 7 | 64, 60 | 7 | | 7 | 64 | 7 | | 7 | 64 | 7 | |
| 8 | | 8 | | 8 | | 8 | | 8 | | 8 | 89 | 8 | 66 | 8 | 60 | 8 | | 8 | | 8 | | 8 | 64 | 8 | |
| 9 | | 9 | | 9 | | 9 | | 9 | | 9 | 89 | 9 | 66 | 9 | 60 | 9 | | 9 | | 9 | | 9 | 55, 64 | 9 | |
| 10 | | 10 | 61 | 10 | | 10 | | 10 | | 10 | 68 | 10 | 91 | 10 | 60 | 10 | | 10 | | 10 | | 10 | 55 | 10 | |
| 11 | | 11 | 88 | 11 | | 11 | | 11 | | 11 | | 11 | 91 | 11 | 64 | 11 | | 11 | | 11 | | 11 | 55 | 11 | |
| 12 | | 12 | 88 | 12 | | 12 | | 12 | | 12 | | 12 | 68 | 12 | | 12 | | 12 | | 12 | | 12 | 55 | 12 | |
| 13 | | 13 | 88 | 13 | | 13 | | 13 | | 13 | | 13 | 68 | 13 | | 13 | | 13 | | 13 | | 13 | 55, 64 | 13 | |
| 14 | | 14 | 61 | 14 | | 14 | | 14 | | 14 | | 14 | 66 | 14 | | 14 | | 14 | | 14 | | 14 | 64 | 14 | |
| 15 | | 15 | 65 | 15 | | 15 | | 15 | | 15 | | 15 | 66 | 15 | | 15 | | 15 | | 15 | | 15 | | 15 | |
| 16 | | 16 | 65 | 16 | | 16 | | 16 | | 16 | 63 | 16 | 71 | 16 | | 16 | | 16 | | 16 | | 16 | | 16 | |
| 17 | | 17 | 65 | 17 | 88 | 17 | 66 - 61 | 17 | 61 | 17 | 63 | 17 | 71 | 17 | 72 | 17 | | 17 | | 17 | | 17 | | 17 | |
| 18 | | 18 | 66 | 18 | | 18 | 61 | 18 | | 18 | 63 | 18 | 71 | 18 | | 18 | | 18 | | 18 | | 18 | | 18 | |
| 19 | | 19 | 88 | 19 | | 19 | | 19 | | 19 | 61 | 19 | 61 | 19 | | 19 | | 19 | | 19 | | 19 | | 19 | |
| 20 | | 20 | | 20 | | 20 | | 20 | | 20 | 61 | 20 | 61 | 20 | | 20 | | 20 | | 20 | | 20 | | 20 | |
| 21 | | 21 | | 21 | | 21 | | 21 | | 21 | 61 | 21 | 61 | 21 | | 21 | | 21 | | 21 | | 21 | | 21 | |
| 22 | | 22 | | 22 | | 22 | 66 | 22 | | 22 | 70 | 22 | 91 | 22 | | 22 | | 22 | | 22 | | 22 | | 22 | |
| 23 | | 23 | | 23 | | 23 | | 23 | | 23 | 70 | 23 | 91 | 23 | | 23 | | 23 | | 23 | | 23 | | 23 | |
| 24 | | 24 | | 24 | | 24 | | 24 | | 24 | 70 | 24 | 91 | 24 | | 24 | | 24 | | 24 | | 24 | | 24 | |
| 25 | | 25 | | 25 | | 25 | | 25 | | 25 | 61 | 25 | 63 | 25 | | 25 | | 25 | | 25 | | 25 | | 25 | |
| 26 | | 26 | | 26 | | 26 | | 26 | | 26 | 61 | 26 | 63 | 26 | 66 | 26 | | 26 | | 26 | | 26 | 55 | 26 | |
| 27 | | 27 | | 27 | | 27 | | 27 | | 27 | 61 | 27 | 63 | 27 | | 27 | | 27 | | 27 | | 27 | 55 | 27 | |
| 28 | | 28 | | 28 | | 28 | | 28 | | 28 | 68 | 28 | 72 | 28 | | 28 | | 28 | | 28 | | 28 | 55 | 28 | |
| 29 | | 29 | | 29 | | 29 | | 29 | | 29 | 68 | 29 | 72 | 29 | | 29 | | 29 | | 29 | | 29 | 55, 64 | 29 | |
| 30 | | 30 | | 30 | | 30 | | 30 | | 30 | 68 | 30 | 72 | 30 | | 30 | | 30 | | 30 | | 30 | 55 | 30 | |
| 31 | | 31 | | 31 | | 31 | | 31 | | 31 | 72 | 31 | 66 | 31 | | 31 | | 31 | | 31 | | 31 | | 31 | |
| 32 | | 32 | | 32 | | 32 | | 32 | | 32 | 72 | 32 | 66 | 32 | | 32 | | 32 | | 32 | | 32 | | 32 | |
| 33 | | 33 | | 33 | | 33 | | 33 | | 33 | 66 | 33 | | 33 | | 33 | | 33 | | 33 | | 33 | | 33 | |
| 34 | | 34 | | 34 | | 34 | | 34 | 63 | 34 | 68 | 34 | 66 | 34 | 61 | 34 | | 34 | | 34 | | 34 | | 34 | |
| 35 | | 35 | | 35 | | 35 | | 35 | | 35 | 72 | 35 | 45 | 35 | | 35 | | 35 | | 35 | | 35 | | 35 | |
| 36 | | 36 | | 36 | | 36 | | 36 | | 36 | 68 | 36 | 66 | 36 | | 36 | | 36 | | 36 | | 36 | | 36 | |
| 37 | | 37 | | 37 | | 37 | | 37 | | 37 | 66 | 37 | | 37 | | 37 | | 37 | | 37 | | 37 | 64 | 37 | 64 |
| 38 | | 38 | | 38 | | 38 | | 38 | | 38 | 72 | 38 | 45 | 38 | | 38 | | 38 | | 38 | | 38 | | 38 | |
| 39 | | 39 | | 39 | | 39 | | 39 | | 39 | 66 | 39 | 68 | 39 | | 39 | | 39 | | 39 | | 39 | | 39 | |
| 40 | | 40 | | 40 | | 40 | | 40 | | 40 | 68 | 40 | 72 | 40 | | 40 | | 40 | | 40 | | 40 | | 40 | |
| 41 | | 41 | | 41 | | 41 | | 41 | | 41 | 68 | 41 | 72 | 41 | | 41 | | 41 | | 41 | | 41 | | 41 | |
| 42 | | 42 | | 42 | | 42 | | 42 | | 42 | 66 | 42 | 68 | 42 | | 42 | | 42 | | 42 | | 42 | | 42 | |
| 43 | | 43 | | 43 | | 43 | | 43 | | 43 | 61 | 43 | 63 | 43 | | 43 | | 43 | | 43 | | 43 | | 43 | |
| 44 | | 44 | | 44 | | 44 | | 44 | | 44 | | 44 | | 44 | | 44 | | 44 | | 44 | | 44 | | 44 | |
| 45 | | 45 | | 45 | | 45 | | 45 | | 45 | | 45 | | 45 | | 45 | | 45 | | 45 | | 45 | | 45 | |
| 46 | | 46 | | 46 | | 46 | | 46 | | 46 | | 46 | | 46 | | 46 | | 46 | | 46 | | 46 | | 46 | |
| 47 | | 47 | | 47 | | 47 | | 47 | | 47 | | 47 | | 47 | | 47 | | 47 | | 47 | | 47 | | 47 | |

146

PIN LOCATOR - ROW B

| LOC | 1 | LOC | 2 | LOC | 3 | LOC | 4 | LOC | 5 | LOC | 6 | LOC | 7 | LOC | 8 | LOC | 9 | LOC | 10 | LOC | 11 | LOC | 12 | LOC | 13 |
|-----|------|-----|------|-----|------|-----|---------|-----|------|-----|------|-----|------|-----|--------|-----|------|-----|------|-----|------|-----|--------|-----|------|
| PIN | PAGE | PIN | PAGE | PIN | PAGE | PIN | PAGE | PIN | PAGE | PIN | PAGE | PIN | PAGE | PIN | PAGE | PIN | PAGE | PIN | PAGE | PIN | PAGE | PIN | PAGE | PIN | PAGE |
| 1 | 88 | 1 | 61 | 1 | 71 | 1 | 66 | 1 | 63 | 1 | 61 | 1 | 63 | 1 | 63 | 1 | 60 | 1 | 77 | 1 | 62 | 1 | 74 | 1 | 74 |
| 2 | | 2 | 88 | 2 | | 2 | | 2 | 63 | 2 | | 2 | | 2 | 66 | 2 | 64 | 2 | 64 | 2 | 64 | 2 | 74 | 2 | 74 |
| 3 | | 3 | | 3 | 71 | 3 | | 3 | 66 | 3 | | 3 | | 3 | 72 | 3 | | 3 | | 3 | | 3 | 74 | 3 | 74 |
| 4 | | 4 | | 4 | 71 | 4 | | 4 | | 4 | | 4 | | 4 | | 4 | | 4 | | 4 | | 4 | 64 | 4 | 55 |
| 5 | | 5 | | 5 | 71 | 5 | | 5 | | 5 | | 5 | 60 | 5 | | 5 | | 5 | | 5 | | 5 | 55 | 5 | |
| 6 | | 6 | | 6 | 71 | 6 | | 6 | | 6 | | 6 | 60 | 6 | | 6 | | 6 | 66 | 6 | | 6 | 55 | 6 | |
| 7 | | 7 | | 7 | 61 | 7 | | 7 | 63 | 7 | | 7 | 60 | 7 | 64, 60 | 7 | | 7 | 64 | 7 | | 7 | 64 | 7 | |
| 8 | | 8 | | 8 | | 8 | | 8 | | 8 | 89 | 8 | 66 | 8 | 60 | 8 | | 8 | | 8 | | 8 | 64 | 8 | |
| 9 | | 9 | | 9 | | 9 | | 9 | | 9 | 89 | 9 | 66 | 9 | 60 | 9 | | 9 | | 9 | | 9 | 55, 64 | 9 | |
| 10 | | 10 | 61 | 10 | | 10 | | 10 | | 10 | 68 | 10 | 91 | 10 | 60 | 10 | | 10 | | 10 | | 10 | 55 | 10 | |
| 11 | | 11 | 88 | 11 | | 11 | | 11 | | 11 | 68 | 11 | 91 | 11 | 64 | 11 | | 11 | | 11 | | 11 | 55 | 11 | |
| 12 | | 12 | 88 | 12 | | 12 | | 12 | | 12 | | 12 | 68 | 12 | | 12 | | 12 | | 12 | | 12 | 55 | 12 | |
| 13 | | 13 | 88 | 13 | | 13 | | 13 | | 13 | | 13 | 68 | 13 | | 13 | | 13 | | 13 | | 13 | 55, 64 | 13 | |
| 14 | | 14 | 61 | 14 | | 14 | | 14 | | 14 | 68 | 14 | 66 | 14 | | 14 | | 14 | | 14 | | 14 | 64 | 14 | |
| 15 | | 15 | 65 | 15 | | 15 | | 15 | | 15 | 68 | 15 | 66 | 15 | | 15 | | 15 | | 15 | | 15 | | 15 | |
| 16 | | 16 | 65 | 16 | | 16 | | 16 | | 16 | 63 | 16 | 71 | 16 | | 16 | | 16 | | 16 | | 16 | | 16 | |
| 17 | | 17 | 65 | 17 | 88 | 17 | 66 - 61 | 17 | 61 | 17 | 63 | 17 | 71 | 17 | 72 | 17 | | 17 | | 17 | | 17 | | 17 | |
| 18 | | 18 | 66 | 18 | | 18 | 61 | 18 | | 18 | 63 | 18 | 71 | 18 | | 18 | | 18 | | 18 | | 18 | | 18 | |
| 19 | | 19 | 88 | 19 | | 19 | | 19 | | 19 | 61 | 19 | 61 | 19 | | 19 | | 19 | | 19 | | 19 | | 19 | |
| 20 | | 20 | | 20 | | 20 | | 20 | | 20 | 61 | 20 | 61 | 20 | | 20 | | 20 | | 20 | | 20 | | 20 | |
| 21 | | 21 | | 21 | | 21 | | 21 | | 21 | 61 | 21 | 61 | 21 | | 21 | | 21 | | 21 | | 21 | | 21 | |
| 22 | | 22 | | 22 | | 22 | 66 | 22 | | 22 | 70 | 22 | 91 | 22 | | 22 | | 22 | | 22 | | 22 | | 22 | |
| 23 | | 23 | | 23 | | 23 | | 23 | | 23 | 70 | 23 | 91 | 23 | | 23 | | 23 | | 23 | | 23 | | 23 | |
| 24 | | 24 | | 24 | | 24 | | 24 | | 24 | 70 | 24 | 91 | 24 | | 24 | | 24 | | 24 | | 24 | | 24 | |
| 25 | | 25 | | 25 | | 25 | | 25 | | 25 | 61 | 25 | 63 | 25 | | 25 | | 25 | | 25 | | 25 | | 25 | |
| 26 | | 26 | | 26 | | 26 | | 26 | | 26 | 61 | 26 | 63 | 26 | 66 | 26 | | 26 | | 26 | | 26 | 55 | 26 | |
| 27 | | 27 | | 27 | | 27 | | 27 | | 27 | 61 | 27 | 63 | 27 | | 27 | | 27 | | 27 | | 27 | 55 | 27 | |
| 28 | | 28 | | 28 | | 28 | | 28 | | 28 | 68 | 28 | 72 | 28 | | 28 | | 28 | | 28 | | 28 | 55 | 28 | |
| 29 | | 29 | | 29 | | 29 | | 29 | | 29 | 68 | 29 | 72 | 29 | | 29 | | 29 | | 29 | | 29 | 55, 64 | 29 | |
| 30 | | 30 | | 30 | | 30 | | 30 | | 30 | 68 | 30 | 72 | 30 | | 30 | | 30 | | 30 | | 30 | 55 | 30 | |
| 31 | | 31 | | 31 | | 31 | | 31 | | 31 | 72 | 31 | 66 | 31 | | 31 | | 31 | | 31 | | 31 | | 31 | |
| 32 | | 32 | | 32 | | 32 | | 32 | | 32 | 72 | 32 | 66 | 32 | | 32 | | 32 | | 32 | | 32 | | 32 | |
| 33 | | 33 | | 33 | | 33 | | 33 | | 33 | 66 | 33 | | 33 | | 33 | | 33 | | 33 | | 33 | | 33 | |
| 34 | | 34 | | 34 | | 34 | | 34 | 63 | 34 | 68 | 34 | 66 | 34 | 61 | 34 | | 34 | | 34 | | 34 | | 34 | |
| 35 | | 35 | | 35 | | 35 | | 35 | | 35 | 72 | 35 | 45 | 35 | | 35 | | 35 | | 35 | | 35 | | 35 | |
| 36 | | 36 | | 36 | | 36 | | 36 | | 36 | 68 | 36 | 66 | 36 | | 36 | | 36 | | 36 | | 36 | | 36 | |
| 37 | | 37 | | 37 | | 37 | | 37 | | 37 | 66 | 37 | | 37 | | 37 | | 37 | | 37 | | 37 | 64 | 37 | 64 |
| 38 | | 38 | | 38 | | 38 | | 38 | | 38 | 72 | 38 | 45 | 38 | | 38 | | 38 | | 38 | | 38 | | 38 | |
| 39 | | 39 | | 39 | | 39 | | 39 | | 39 | 66 | 39 | | 39 | | 39 | | 39 | | 39 | | 39 | | 39 | |
| 40 | | 40 | | 40 | | 40 | | 40 | | 40 | 68 | 40 | 72 | 40 | | 40 | | 40 | | 40 | | 40 | | 40 | |
| 41 | | 41 | | 41 | | 41 | | 41 | | 41 | 68 | 41 | 72 | 41 | | 41 | | 41 | | 41 | | 41 | | 41 | |
| 42 | | 42 | | 42 | | 42 | | 42 | | 42 | 66 | 42 | | 42 | | 42 | | 42 | | 42 | | 42 | | 42 | |
| 43 | | 43 | | 43 | | 43 | | 43 | | 43 | 61 | 43 | 63 | 43 | | 43 | | 43 | | 43 | | 43 | | 43 | |
| 44 | | 44 | | 44 | | 44 | | 44 | | 44 | | 44 | | 44 | | 44 | | 44 | | 44 | | 44 | | 44 | |
| 45 | | 45 | | 45 | | 45 | | 45 | | 45 | | 45 | | 45 | | 45 | | 45 | | 45 | | 45 | | 45 | |
| 46 | | 46 | | 46 | | 46 | | 46 | | 46 | | 46 | | 46 | | 46 | | 46 | | 46 | | 46 | | 46 | |
| 47 | | 47 | | 47 | | 47 | | 47 | | 47 | | 47 | | 47 | | 47 | | 47 | | 47 | | 47 | | 47 | |

147

PIN LOCATOR - ROW B

| LOC | 14 | LOC | 15 | LOC | 16 | LOC | 17 | LOC | 18 | LOC | 19 | LOC | 20 | LOC | 21 | LOC | 22 | LOC | 23 | LOC | 24 | LOC | 25 | LOC | |
|-----|------|-----|------|-----|------|-----|------|-----|------|-----|------|-----|---------|-----|------|-----|------|-----|------|-----|------|-----|------|-----|------|
| PIN | PAGE | PIN | PAGE | PIN | PAGE | PIN | PAGE | PIN | PAGE | PIN | PAGE | PIN | PAGE | PIN | PAGE | PIN | PAGE | PIN | PAGE | PIN | PAGE | PIN | PAGE | PIN | PAGE |
| 1 | 74 | 1 | 74 | 1 | 89 | 1 | 74 | 1 | 75 | 1 | 75 | 1 | 75 | 1 | 75 | 1 | 75 | 1 | 67 | 1 | | 1 | 62 | 1 | |
| 2 | 74 | 2 | 74 | 2 | 89 | 2 | 74 | 2 | 75 | 2 | 75 | 2 | 75 | 2 | 75 | 2 | 75 | 2 | 67 | 2 | 62 | 2 | | 2 | |
| 3 | 74 | 3 | 74 | 3 | 89 | 3 | 74 | 3 | 75 | 3 | 75 | 3 | 75 | 3 | 75 | 3 | 75 | 3 | 67 | 3 | | 3 | | 3 | |
| 4 | 56 | 4 | 56 | 4 | 57 | 4 | 57 | 4 | 58 | 4 | 58 | 4 | 59 | 4 | 59 | 4 | 60 | 4 | 60 | 4 | | 4 | | 4 | |
| 5 | | 5 | | 5 | | 5 | | 5 | | 5 | | 5 | | 5 | | 5 | | 5 | | 5 | | 5 | | 5 | |
| 6 | | 6 | | 6 | | 6 | | 6 | | 6 | | 6 | | 6 | | 6 | | 6 | | 6 | | 6 | | 6 | |
| 7 | | 7 | | 7 | | 7 | | 7 | | 7 | | 7 | | 7 | | 7 | | 7 | | 7 | 52 | 7 | | 7 | |
| 8 | | 8 | | 8 | | 8 | | 8 | | 8 | | 8 | | 8 | | 8 | | 8 | | 8 | | 8 | 77 | 8 | |
| 9 | | 9 | | 9 | | 9 | | 9 | | 9 | | 9 | | 9 | | 9 | | 9 | | 9 | | 9 | | 9 | |
| 10 | | 10 | | 10 | | 10 | | 10 | | 10 | | 10 | | 10 | | 10 | | 10 | | 10 | | 10 | | 10 | |
| 11 | | 11 | | 11 | | 11 | | 11 | | 11 | | 11 | | 11 | | 11 | | 11 | | 11 | | 11 | | 11 | |
| 12 | | 12 | | 12 | | 12 | | 12 | | 12 | | 12 | | 12 | | 12 | | 12 | | 12 | | 12 | | 12 | |
| 13 | | 13 | | 13 | | 13 | | 13 | | 13 | | 13 | | 13 | | 13 | | 13 | | 13 | | 13 | | 13 | |
| 14 | | 14 | | 14 | | 14 | | 14 | | 14 | | 14 | | 14 | | 14 | | 14 | | 14 | | 14 | | 14 | |
| 15 | | 15 | | 15 | | 15 | | 15 | | 15 | | 15 | | 15 | | 15 | | 15 | | 15 | | 15 | 62 | 15 | |
| 16 | | 16 | | 16 | | 16 | | 16 | | 16 | | 16 | | 16 | | 16 | | 16 | | 16 | | 16 | | 16 | |
| 17 | | 17 | | 17 | | 17 | | 17 | | 17 | | 17 | | 17 | | 17 | | 17 | | 17 | 93 | 17 | | 17 | |
| 18 | | 18 | | 18 | | 18 | | 18 | | 18 | | 18 | | 18 | | 18 | | 18 | | 18 | | 18 | | 18 | |
| 19 | | 19 | | 19 | | 19 | | 19 | | 19 | | 19 | | 19 | | 19 | | 19 | | 19 | | 19 | | 19 | |
| 20 | | 20 | | 20 | | 20 | | 20 | | 20 | | 20 | | 20 | | 20 | | 20 | | 20 | | 20 | | 20 | |
| 21 | | 21 | | 21 | | 21 | | 21 | | 21 | | 21 | | 21 | | 21 | | 21 | | 21 | | 21 | | 21 | |
| 22 | | 22 | | 22 | | 22 | | 22 | | 22 | | 22 | | 22 | | 22 | | 22 | | 22 | | 22 | | 22 | |
| 23 | | 23 | | 23 | | 23 | | 23 | | 23 | | 23 | | 23 | | 23 | | 23 | | 23 | | 23 | | 23 | |
| 24 | | 24 | | 24 | | 24 | | 24 | | 24 | | 24 | | 24 | | 24 | | 24 | | 24 | | 24 | | 24 | |
| 25 | | 25 | | 25 | | 25 | | 25 | | 25 | | 25 | | 25 | | 25 | | 25 | | 25 | | 25 | | 25 | |
| 26 | | 26 | | 26 | | 26 | | 26 | | 26 | | 26 | | 26 | | 26 | | 26 | | 26 | 62 | 26 | | 26 | |
| 27 | | 27 | | 27 | | 27 | | 27 | | 27 | | 27 | | 27 | | 27 | | 27 | | 27 | | 27 | | 27 | |
| 28 | | 28 | | 28 | | 28 | | 28 | | 28 | | 28 | | 28 | | 28 | | 28 | | 28 | | 28 | | 28 | |
| 29 | | 29 | | 29 | | 29 | | 29 | | 29 | | 29 | | 29 | | 29 | | 29 | | 29 | | 29 | | 29 | |
| 30 | | 30 | | 30 | | 30 | | 30 | | 30 | | 30 | | 30 | | 30 | | 30 | | 30 | | 30 | | 30 | |
| 31 | | 31 | | 31 | | 31 | | 31 | | 31 | | 31 | | 31 | | 31 | | 31 | | 31 | | 31 | | 31 | |
| 32 | | 32 | | 32 | | 32 | | 32 | | 32 | | 32 | | 32 | | 32 | | 32 | | 32 | | 32 | | 32 | |
| 33 | | 33 | | 33 | | 33 | | 33 | | 33 | | 33 | | 33 | | 33 | | 33 | | 33 | | 33 | | 33 | |
| 34 | | 34 | | 34 | | 34 | | 34 | | 34 | | 34 | | 34 | | 34 | | 34 | | 34 | | 34 | | 34 | |
| 35 | | 35 | | 35 | | 35 | | 35 | | 35 | | 35 | | 35 | | 35 | | 35 | | 35 | | 35 | | 35 | |
| 36 | | 36 | | 36 | | 36 | | 36 | | 36 | | 36 | | 36 | | 36 | | 36 | | 36 | | 36 | | 36 | |
| 37 | | 37 | | 37 | 89 | 37 | 66 | 37 | 39 | 37 | 43 | 37 | 41 | 37 | 62 | 37 | 62 | 37 | 62 | 37 | | 37 | | 37 | |
| 38 | | 38 | | 38 | | 38 | | 38 | | 38 | | 38 | 39 - 41 | 38 | | 38 | | 38 | | 38 | | 38 | | 38 | |
| 39 | | 39 | | 39 | | 39 | | 39 | | 39 | | 39 | 39 | 39 | | 39 | | 39 | | 39 | | 39 | | 39 | |
| 40 | | 40 | | 40 | | 40 | | 40 | | 40 | | 40 | 39 | 40 | | 40 | | 40 | | 40 | | 40 | | 40 | |
| 41 | | 41 | | 41 | | 41 | | 41 | | 41 | | 41 | 41 | 41 | | 41 | | 41 | | 41 | | 41 | | 41 | |
| 42 | | 42 | | 42 | | 42 | | 42 | | 42 | | 42 | | 42 | | 42 | | 42 | | 42 | | 42 | | 42 | |
| 43 | | 43 | | 43 | | 43 | | 43 | | 43 | | 43 | | 43 | | 43 | | 43 | | 43 | | 43 | | 43 | |
| 44 | | 44 | | 44 | | 44 | | 44 | | 44 | | 44 | | 44 | | 44 | | 44 | | 44 | | 44 | | 44 | |
| 45 | | 45 | | 45 | | 45 | | 45 | | 45 | | 45 | | 45 | | 45 | | 45 | | 45 | | 45 | | 45 | |
| 46 | | 46 | | 46 | | 46 | | 46 | | 46 | | 46 | | 46 | | 46 | | 46 | | 46 | | 46 | | 46 | |
| 47 | | 47 | | 47 | | 47 | | 47 | | 47 | | 47 | | 47 | | 47 | | 47 | | 47 | | 47 | | 47 | |

148

PIN LOCATOR - ROW B

| LOC | 14 | LOC | 15 | LOC | 16 | LOC | 17 | LOC | 18 | LOC | 19 | LOC | 20 | LOC | 21 | LOC | 22 | LOC | 23 | LOC | 24 | LOC | 25 | LOC |
|-----|------|-----|------|-----|------|-----|------|-----|------|-----|------|-----|---------|-----|------|-----|------|-----|------|-----|------|-----|------|-----|
| PIN | PAGE | PIN | PAGE | PIN | PAGE | PIN | PAGE | PIN | PAGE | PIN | PAGE | PIN | PAGE | PIN | PAGE | PIN | PAGE | PIN | PAGE | PIN | PAGE | PIN | PAGE | |
| 1 | 74 | 1 | 74 | 1 | 89 | 1 | 74 | 1 | 75 | 1 | 75 | 1 | 75 | 1 | 75 | 1 | 75 | 1 | 60 | 1 | | 1 | 62 | 1 |
| 2 | 74 | 2 | 74 | 2 | 89 | 2 | 74 | 2 | 75 | 2 | 75 | 2 | 75 | 2 | 75 | 2 | 75 | 2 | 60 | 2 | 62 | 2 | | 2 |
| 3 | 74 | 3 | 74 | 3 | 89 | 3 | 74 | 3 | 75 | 3 | 75 | 3 | 75 | 3 | 75 | 3 | 75 | 3 | 60 | 3 | | 3 | | 3 |
| 4 | 56 | 4 | 56 | 4 | 57 | 4 | 57 | 4 | 58 | 4 | 58 | 4 | 59 | 4 | 59 | 4 | 60 | 4 | 60 | 4 | | 4 | | 4 |
| 5 | | 5 | | 5 | | 5 | | 5 | | 5 | | 5 | | 5 | | 5 | | 5 | | 5 | | 5 | | 5 |
| 6 | | 6 | | 6 | | 6 | | 6 | | 6 | | 6 | | 6 | | 6 | | 6 | | 6 | | 6 | | 6 |
| 7 | | 7 | | 7 | | 7 | | 7 | | 7 | | 7 | | 7 | | 7 | | 7 | | 7 | 52 | 7 | | 7 |
| 8 | | 8 | | 8 | | 8 | | 8 | | 8 | | 8 | | 8 | | 8 | | 8 | | 8 | | 8 | 77 | 8 |
| 9 | | 9 | | 9 | | 9 | | 9 | | 9 | | 9 | | 9 | | 9 | | 9 | | 9 | | 9 | | 9 |
| 10 | | 10 | | 10 | | 10 | | 10 | | 10 | | 10 | | 10 | | 10 | | 10 | | 10 | | 10 | | 10 |
| 11 | | 11 | | 11 | | 11 | | 11 | | 11 | | 11 | | 11 | | 11 | | 11 | | 11 | | 11 | | 11 |
| 12 | | 12 | | 12 | | 12 | | 12 | | 12 | | 12 | | 12 | | 12 | | 12 | | 12 | | 12 | | 12 |
| 13 | | 13 | | 13 | | 13 | | 13 | | 13 | | 13 | | 13 | | 13 | | 13 | | 13 | | 13 | | 13 |
| 14 | | 14 | | 14 | | 14 | | 14 | | 14 | | 14 | | 14 | | 14 | | 14 | | 14 | | 14 | | 14 |
| 15 | | 15 | | 15 | | 15 | | 15 | | 15 | | 15 | | 15 | | 15 | | 15 | | 15 | | 15 | 62 | 15 |
| 16 | | 16 | | 16 | | 16 | | 16 | | 16 | | 16 | | 16 | | 16 | | 16 | | 16 | | 16 | | 16 |
| 17 | | 17 | | 17 | | 17 | | 17 | | 17 | | 17 | | 17 | | 17 | | 17 | | 17 | 93 | 17 | | 17 |
| 18 | | 18 | | 18 | | 18 | | 18 | | 18 | | 18 | | 18 | | 18 | | 18 | | 18 | | 18 | | 18 |
| 19 | | 19 | | 19 | | 19 | | 19 | | 19 | | 19 | | 19 | | 19 | | 19 | | 19 | | 19 | | 19 |
| 20 | | 20 | | 20 | | 20 | | 20 | | 20 | | 20 | | 20 | | 20 | | 20 | | 20 | | 20 | | 20 |
| 21 | | 21 | | 21 | | 21 | | 21 | | 21 | | 21 | | 21 | | 21 | | 21 | | 21 | | 21 | | 21 |
| 22 | | 22 | | 22 | | 22 | | 22 | | 22 | | 22 | | 22 | | 22 | | 22 | | 22 | | 22 | | 22 |
| 23 | | 23 | | 23 | | 23 | | 23 | | 23 | | 23 | | 23 | | 23 | | 23 | | 23 | | 23 | | 23 |
| 24 | | 24 | | 24 | | 24 | | 24 | | 24 | | 24 | | 24 | | 24 | | 24 | | 24 | | 24 | | 24 |
| 25 | | 25 | | 25 | | 25 | | 25 | | 25 | | 25 | | 25 | | 25 | | 25 | | 25 | | 25 | | 25 |
| 26 | | 26 | | 26 | | 26 | | 26 | | 26 | | 26 | | 26 | | 26 | | 26 | | 26 | 62 | 26 | | 26 |
| 27 | | 27 | | 27 | | 27 | | 27 | | 27 | | 27 | | 27 | | 27 | | 27 | | 27 | | 27 | | 27 |
| 28 | | 28 | | 28 | | 28 | | 28 | | 28 | | 28 | | 28 | | 28 | | 28 | | 28 | | 28 | | 28 |
| 29 | | 29 | | 29 | | 29 | | 29 | | 29 | | 29 | | 29 | | 29 | | 29 | | 29 | | 29 | | 29 |
| 30 | | 30 | | 30 | | 30 | | 30 | | 30 | | 30 | | 30 | | 30 | | 30 | | 30 | | 30 | | 30 |
| 31 | | 31 | | 31 | | 31 | | 31 | | 31 | | 31 | | 31 | | 31 | | 31 | | 31 | | 31 | | 31 |
| 32 | | 32 | | 32 | | 32 | | 32 | | 32 | | 32 | | 32 | | 32 | | 32 | | 32 | | 32 | | 32 |
| 33 | | 33 | | 33 | | 33 | | 33 | | 33 | | 33 | | 33 | | 33 | | 33 | | 33 | | 33 | | 33 |
| 34 | | 34 | | 34 | | 34 | | 34 | | 34 | | 34 | | 34 | | 34 | | 34 | | 34 | | 34 | | 34 |
| 35 | | 35 | | 35 | | 35 | | 35 | | 35 | | 35 | | 35 | | 35 | | 35 | | 35 | | 35 | | 35 |
| 36 | | 36 | | 36 | | 36 | | 36 | | 36 | | 36 | | 36 | | 36 | | 36 | | 36 | | 36 | | 36 |
| 37 | | 37 | | 37 | 89 | 37 | 66 | 37 | 39 | 37 | 43 | 37 | 41 | 37 | 62 | 37 | 62 | 37 | 62 | 37 | | 37 | | 37 |
| 38 | | 38 | | 38 | | 38 | | 38 | | 38 | | 38 | 39 - 41 | 38 | | 38 | | 38 | | 38 | | 38 | | 38 |
| 39 | | 39 | | 39 | | 39 | | 39 | | 39 | | 39 | 39 | 39 | | 39 | | 39 | | 39 | | 39 | | 39 |
| 40 | | 40 | | 40 | | 40 | | 40 | | 40 | | 40 | 39 | 40 | | 40 | | 40 | | 40 | | 40 | | 40 |
| 41 | | 41 | | 41 | | 41 | | 41 | | 41 | | 41 | 41 | 41 | | 41 | | 41 | | 41 | | 41 | | 41 |
| 42 | | 42 | | 42 | | 42 | | 42 | | 42 | | 42 | | 42 | | 42 | | 42 | | 42 | | 42 | | 42 |
| 43 | | 43 | | 43 | | 43 | | 43 | | 43 | | 43 | | 43 | | 43 | | 43 | | 43 | | 43 | | 43 |
| 44 | | 44 | | 44 | | 44 | | 44 | | 44 | | 44 | | 44 | | 44 | | 44 | | 44 | | 44 | | 44 |
| 45 | | 45 | | 45 | | 45 | | 45 | | 45 | | 45 | | 45 | | 45 | | 45 | | 45 | | 45 | | 45 |
| 46 | | 46 | | 46 | | 46 | | 46 | | 46 | | 46 | | 46 | | 46 | | 46 | | 46 | | 46 | | 46 |
| 47 | | 47 | | 47 | | 47 | | 47 | | 47 | | 47 | | 47 | | 47 | | 47 | | 47 | | 47 | | 47 |

149

PIN LOCATOR - ROW C

| LOC | 1 | LOC | 2 | LOC | 3 | LOC | 4 | LOC | 5 | LOC | 6 | LOC | 7 | LOC | 8 | LOC | 9 | LOC | 10 | LOC | 11 | LOC | 12 | LOC | 13 |
|-----|------|-----|------|-----|--------|-----|------|-----|------|-----|--------|-----|------|-----|------|-----|------|-----|------|-----|------|-----|------|-----|------|
| PIN | PAGE | PIN | PAGE | PIN | PAGE | PIN | PAGE | PIN | PAGE | PIN | PAGE | PIN | PAGE | PIN | PAGE | PIN | PAGE | PIN | PAGE | PIN | PAGE | PIN | PAGE | PIN | PAGE |
| 1 | | 1 | | 1 | 69 | 1 | 52 | 1 | | 1 | 68 | 1 | 45 | 1 | 46 | 1 | 47 | 1 | 49 | 1 | 97 | 1 | | 1 | 40 |
| 2 | | 2 | | 2 | | 2 | | 2 | 68 | 2 | 68 | 2 | | 2 | | 2 | | 2 | | 2 | | 2 | 42 | 2 | |
| 3 | | 3 | | 3 | | 3 | 52 | 3 | 52 | 3 | 52 | 3 | | 3 | | 3 | | 3 | | 3 | | 3 | | 3 | |
| 4 | | 4 | | 4 | | 4 | | 4 | | 4 | | 4 | | 4 | | 4 | | 4 | | 4 | | 4 | | 4 | |
| 5 | | 5 | | 5 | | 5 | | 5 | | 5 | | 5 | | 5 | | 5 | | 5 | | 5 | 49 | 5 | | 5 | |
| 6 | | 6 | | 6 | | 6 | | 6 | | 6 | | 6 | | 6 | | 6 | | 6 | | 6 | | 6 | | 6 | |
| 7 | | 7 | | 7 | | 7 | | 7 | | 7 | 68 | 7 | | 7 | | 7 | | 7 | | 7 | | 7 | 50 | 7 | |
| 8 | | 8 | | 8 | | 8 | | 8 | | 8 | | 8 | 61 | 8 | | 8 | | 8 | | 8 | | 8 | | 8 | |
| 9 | | 9 | | 9 | | 9 | | 9 | | 9 | | 9 | | 9 | | 9 | | 9 | | 9 | | 9 | | 9 | |
| 10 | | 10 | | 10 | | 10 | | 10 | | 10 | | 10 | | 10 | | 10 | | 10 | 48 | 10 | 42 | 10 | | 10 | |
| 11 | | 11 | | 11 | | 11 | | 11 | | 11 | | 11 | | 11 | | 11 | | 11 | 69 | 11 | 42 | 11 | | 11 | |
| 12 | | 12 | | 12 | | 12 | | 12 | | 12 | | 12 | | 12 | | 12 | | 12 | 69 | 12 | 50 | 12 | | 12 | |
| 13 | | 13 | | 13 | | 13 | | 13 | | 13 | | 13 | | 13 | | 13 | | 13 | 69 | 13 | | 13 | | 13 | |
| 14 | | 14 | | 14 | | 14 | | 14 | | 14 | | 14 | | 14 | | 14 | | 14 | 91 | 14 | | 14 | | 14 | |
| 15 | | 15 | | 15 | | 15 | | 15 | | 15 | | 15 | 45 | 15 | | 15 | | 15 | 45 | 15 | | 15 | | 15 | |
| 16 | | 16 | | 16 | | 16 | | 16 | | 16 | | 16 | | 16 | | 16 | | 16 | 45 | 16 | | 16 | | 16 | |
| 17 | | 17 | | 17 | | 17 | | 17 | | 17 | 52 | 17 | | 17 | | 17 | | 17 | 45 | 17 | | 17 | | 17 | |
| 18 | | 18 | | 18 | | 18 | | 18 | | 18 | | 18 | | 18 | | 18 | | 18 | 49 | 18 | | 18 | | 18 | |
| 19 | | 19 | | 19 | | 19 | | 19 | | 19 | | 19 | | 19 | | 19 | | 19 | | 19 | 49 | 19 | | 19 | |
| 20 | | 20 | | 20 | | 20 | | 20 | | 20 | | 20 | | 20 | | 20 | | 20 | | 20 | 49 | 20 | | 20 | |
| 21 | | 21 | | 21 | 52, 69 | 21 | | 21 | | 21 | | 21 | | 21 | | 21 | | 21 | | 21 | 49 | 21 | | 21 | |
| 22 | | 22 | | 22 | 52 | 22 | | 22 | | 22 | | 22 | | 22 | | 22 | | 22 | | 22 | 43 | 22 | | 22 | |
| 23 | | 23 | | 23 | | 23 | | 23 | | 23 | | 23 | | 23 | | 23 | | 23 | | 23 | 43 | 23 | | 23 | |
| 24 | | 24 | | 24 | | 24 | | 24 | | 24 | | 24 | | 24 | | 24 | | 24 | | 24 | 43 | 24 | | 24 | |
| 25 | | 25 | | 25 | | 25 | | 25 | | 25 | | 25 | | 25 | | 25 | | 25 | | 25 | 49 | 25 | | 25 | |
| 26 | | 26 | | 26 | | 26 | 66 | 26 | | 26 | 68 | 26 | | 26 | | 26 | | 26 | | 26 | 49 | 26 | 48 | 26 | |
| 27 | | 27 | | 27 | | 27 | | 27 | | 27 | | 27 | | 27 | | 27 | | 27 | | 27 | 49 | 27 | | 27 | |
| 28 | | 28 | | 28 | | 28 | | 28 | | 28 | | 28 | | 28 | | 28 | | 28 | | 28 | 72 | 28 | | 28 | |
| 29 | | 29 | | 29 | | 29 | | 29 | | 29 | | 29 | | 29 | | 29 | | 29 | | 29 | 72 | 29 | | 29 | |
| 30 | | 30 | | 30 | | 30 | | 30 | | 30 | | 30 | | 30 | | 30 | | 30 | | 30 | 72 | 30 | | 30 | |
| 31 | | 31 | | 31 | | 31 | | 31 | | 31 | | 31 | | 31 | | 31 | | 31 | | 31 | 49 | 31 | | 31 | |
| 32 | | 32 | | 32 | | 32 | | 32 | | 32 | | 32 | | 32 | | 32 | | 32 | | 32 | 49 | 32 | | 32 | |
| 33 | | 33 | | 33 | | 33 | | 33 | | 33 | | 33 | | 33 | | 33 | | 33 | | 33 | 48 | 33 | | 33 | |
| 34 | | 34 | | 34 | | 34 | 52 | 34 | | 34 | 68, 69 | 34 | | 34 | | 34 | | 34 | | 34 | 49 | 34 | 50 | 34 | |
| 35 | | 35 | | 35 | | 35 | | 35 | | 35 | 69 | 35 | | 35 | | 35 | | 35 | | 35 | 49 | 35 | | 35 | |
| 36 | | 36 | | 36 | | 36 | | 36 | | 36 | 69 | 36 | | 36 | | 36 | | 36 | | 36 | 49 | 36 | | 36 | |
| 37 | | 37 | | 37 | | 37 | | 37 | | 37 | 69 | 37 | | 37 | | 37 | | 37 | | 37 | 48 | 37 | | 37 | |
| 38 | | 38 | | 38 | | 38 | | 38 | | 38 | 68 | 38 | | 38 | | 38 | | 38 | | 38 | 49 | 38 | | 38 | |
| 39 | | 39 | | 39 | | 39 | | 39 | | 39 | | 39 | | 39 | | 39 | | 39 | | 39 | | 39 | | 39 | |
| 40 | | 40 | | 40 | | 40 | | 40 | | 40 | | 40 | | 40 | | 40 | | 40 | | 40 | | 40 | | 40 | |
| 41 | | 41 | | 41 | | 41 | | 41 | | 41 | | 41 | | 41 | | 41 | | 41 | | 41 | | 41 | | 41 | |
| 42 | | 42 | | 42 | | 42 | | 42 | | 42 | | 42 | | 42 | | 42 | | 42 | | 42 | | 42 | | 42 | |
| 43 | | 43 | | 43 | | 43 | | 43 | | 43 | | 43 | | 43 | | 43 | | 43 | | 43 | | 43 | | 43 | |
| 44 | | 44 | | 44 | | 44 | | 44 | | 44 | | 44 | | 44 | | 44 | | 44 | | 44 | | 44 | | 44 | |
| 45 | | 45 | | 45 | | 45 | | 45 | | 45 | | 45 | | 45 | | 45 | | 45 | | 45 | | 45 | | 45 | |
| 46 | | 46 | | 46 | | 46 | | 46 | | 46 | | 46 | | 46 | | 46 | | 46 | | 46 | | 46 | | 46 | |
| 47 | | 47 | | 47 | | 47 | | 47 | | 47 | | 47 | | 47 | | 47 | | 47 | | 47 | | 47 | | 47 | |

PIN LOCATOR - ROW C

| LOC | 1 | LOC | 2 | LOC | 3 | LOC | 4 | LOC | 5 | LOC | 6 | LOC | 7 | LOC | 8 | LOC | 9 | LOC | 10 | LOC | 11 | LOC | 12 | LOC | 13 |
|-----|------|-----|------|-----|--------|-----|------|-----|------|-----|--------|-----|------|-----|------|-----|------|-----|------|-----|------|-----|------|-----|------|
| PIN | PAGE | PIN | PAGE | PIN | PAGE | PIN | PAGE | PIN | PAGE | PIN | PAGE | PIN | PAGE | PIN | PAGE | PIN | PAGE | PIN | PAGE | PIN | PAGE | PIN | PAGE | PIN | PAGE |
| 1 | | 1 | | 1 | 69 | 1 | 52 | 1 | 66 | 1 | 68 | 1 | 45 | 1 | 46 | 1 | 47 | 1 | 49 | 1 | 97 | 1 | | 1 | 40 |
| 2 | | 2 | | 2 | | 2 | | 2 | 68 | 2 | 68 | 2 | | 2 | | 2 | | 2 | | 2 | | 2 | 42 | 2 | |
| 3 | | 3 | | 3 | | 3 | 52 | 3 | 52 | 3 | 52 | 3 | | 3 | | 3 | | 3 | | 3 | | 3 | | 3 | |
| 4 | | 4 | | 4 | | 4 | | 4 | | 4 | | 4 | | 4 | | 4 | | 4 | | 4 | | 4 | | 4 | |
| 5 | | 5 | | 5 | | 5 | | 5 | | 5 | | 5 | | 5 | | 5 | | 5 | | 5 | 49 | 5 | | 5 | |
| 6 | | 6 | | 6 | | 6 | | 6 | | 6 | | 6 | | 6 | | 6 | | 6 | | 6 | | 6 | | 6 | |
| 7 | | 7 | | 7 | | 7 | | 7 | | 7 | 68 | 7 | | 7 | | 7 | | 7 | | 7 | | 7 | 50 | 7 | |
| 8 | | 8 | | 8 | | 8 | | 8 | | 8 | | 8 | 61 | 8 | | 8 | | 8 | | 8 | | 8 | | 8 | |
| 9 | | 9 | | 9 | | 9 | | 9 | | 9 | | 9 | | 9 | | 9 | | 9 | | 9 | | 9 | | 9 | |
| 10 | | 10 | | 10 | | 10 | | 10 | | 10 | | 10 | | 10 | | 10 | | 10 | 48 | 10 | 42 | 10 | | 10 | |
| 11 | | 11 | | 11 | | 11 | | 11 | | 11 | | 11 | | 11 | | 11 | | 11 | 69 | 11 | 42 | 11 | | 11 | |
| 12 | | 12 | | 12 | | 12 | | 12 | | 12 | | 12 | | 12 | | 12 | | 12 | 69 | 12 | 50 | 12 | | 12 | |
| 13 | | 13 | | 13 | | 13 | | 13 | | 13 | | 13 | | 13 | | 13 | | 13 | 69 | 13 | | 13 | | 13 | |
| 14 | | 14 | | 14 | | 14 | | 14 | | 14 | | 14 | | 14 | | 14 | | 14 | 91 | 14 | | 14 | | 14 | |
| 15 | | 15 | | 15 | | 15 | | 15 | | 15 | | 15 | 45 | 15 | | 15 | | 15 | 45 | 15 | | 15 | | 15 | |
| 16 | | 16 | | 16 | | 16 | | 16 | | 16 | | 16 | | 16 | | 16 | | 16 | 45 | 16 | | 16 | | 16 | |
| 17 | | 17 | | 17 | | 17 | | 17 | | 17 | 52 | 17 | | 17 | | 17 | | 17 | 45 | 17 | | 17 | | 17 | |
| 18 | | 18 | | 18 | | 18 | | 18 | | 18 | | 18 | | 18 | | 18 | | 18 | 49 | 18 | | 18 | | 18 | |
| 19 | | 19 | | 19 | | 19 | | 19 | | 19 | | 19 | | 19 | | 19 | | 19 | | 19 | 49 | 19 | | 19 | |
| 20 | | 20 | | 20 | | 20 | | 20 | | 20 | | 20 | | 20 | | 20 | | 20 | | 20 | 49 | 20 | | 20 | |
| 21 | | 21 | | 21 | 52, 69 | 21 | | 21 | | 21 | | 21 | | 21 | | 21 | | 21 | | 21 | 49 | 21 | | 21 | |
| 22 | | 22 | | 22 | 52 | 22 | | 22 | | 22 | | 22 | | 22 | | 22 | | 22 | | 22 | | 22 | 43 | 22 | |
| 23 | | 23 | | 23 | | 23 | | 23 | | 23 | | 23 | | 23 | | 23 | | 23 | | 23 | 43 | 23 | | 23 | |
| 24 | | 24 | | 24 | | 24 | | 24 | | 24 | | 24 | | 24 | | 24 | | 24 | | 24 | 43 | 24 | | 24 | |
| 25 | | 25 | | 25 | | 25 | | 25 | | 25 | | 25 | | 25 | | 25 | | 25 | | 25 | 49 | 25 | | 25 | |
| 26 | | 26 | | 26 | | 26 | 66 | 26 | | 26 | 68 | 26 | | 26 | | 26 | | 26 | | 26 | 49 | 26 | 48 | 26 | |
| 27 | | 27 | | 27 | | 27 | | 27 | | 27 | | 27 | | 27 | | 27 | | 27 | | 27 | 49 | 27 | | 27 | |
| 28 | | 28 | | 28 | | 28 | | 28 | | 28 | | 28 | | 28 | | 28 | | 28 | | 28 | 72 | 28 | | 28 | |
| 29 | | 29 | | 29 | | 29 | | 29 | | 29 | | 29 | | 29 | | 29 | | 29 | | 29 | 72 | 29 | | 29 | |
| 30 | | 30 | | 30 | | 30 | | 30 | | 30 | | 30 | | 30 | | 30 | | 30 | | 30 | 72 | 30 | | 30 | |
| 31 | | 31 | | 31 | | 31 | | 31 | | 31 | | 31 | | 31 | | 31 | | 31 | | 31 | 49 | 31 | | 31 | |
| 32 | | 32 | | 32 | | 32 | | 32 | | 32 | | 32 | | 32 | | 32 | | 32 | | 32 | 49 | 32 | | 32 | |
| 33 | | 33 | | 33 | | 33 | | 33 | | 33 | | 33 | | 33 | | 33 | | 33 | | 33 | 48 | 33 | | 33 | |
| 34 | | 34 | | 34 | | 34 | 52 | 34 | | 34 | 68, 69 | 34 | | 34 | | 34 | | 34 | | 34 | 49 | 34 | 50 | 34 | |
| 35 | | 35 | | 35 | | 35 | | 35 | | 35 | 69 | 35 | | 35 | | 35 | | 35 | | 35 | 49 | 35 | | 35 | |
| 36 | | 36 | | 36 | | 36 | | 36 | | 36 | 69 | 36 | | 36 | | 36 | | 36 | | 36 | 49 | 36 | | 36 | |
| 37 | | 37 | | 37 | | 37 | | 37 | | 37 | 69 | 37 | | 37 | | 37 | | 37 | | 37 | 48 | 37 | | 37 | |
| 38 | | 38 | | 38 | | 38 | | 38 | | 38 | 68 | 38 | | 38 | | 38 | | 38 | | 38 | 49 | 38 | | 38 | |
| 39 | | 39 | | 39 | | 39 | | 39 | | 39 | | 39 | | 39 | | 39 | | 39 | | 39 | | 39 | | 39 | |
| 40 | | 40 | | 40 | | 40 | | 40 | | 40 | | 40 | | 40 | | 40 | | 40 | | 40 | | 40 | | 40 | |
| 41 | | 41 | | 41 | | 41 | | 41 | | 41 | | 41 | | 41 | | 41 | | 41 | | 41 | | 41 | | 41 | |
| 42 | | 42 | | 42 | | 42 | | 42 | | 42 | | 42 | | 42 | | 42 | | 42 | | 42 | | 42 | | 42 | |
| 43 | | 43 | | 43 | | 43 | | 43 | | 43 | | 43 | | 43 | | 43 | | 43 | | 43 | | 43 | | 43 | |
| 44 | | 44 | | 44 | | 44 | | 44 | | 44 | | 44 | | 44 | | 44 | | 44 | | 44 | | 44 | | 44 | |
| 45 | | 45 | | 45 | | 45 | | 45 | | 45 | | 45 | | 45 | | 45 | | 45 | | 45 | | 45 | | 45 | |
| 46 | | 46 | | 46 | | 46 | | 46 | | 46 | | 46 | | 46 | | 46 | | 46 | | 46 | | 46 | | 46 | |
| 47 | | 47 | | 47 | | 47 | | 47 | | 47 | | 47 | | 47 | | 47 | | 47 | | 47 | | 47 | | 47 | |

153

PIN LOCATOR - ROW C

| LOC | 14 | LOC | 15 | LOC | 16 | LOC | 17 | LOC | 18 | LOC | 19 | LOC | 20 | LOC | 21 | LOC | 22 | LOC | 23 | LOC | 24 | LOC | 25 | LOC | |
|-----|--------|-----|--------|-----|------|-----|--------|-----|------|-----|------|-----|--------|-----|------|-----|--------|-----|--------|-----|------|-----|------|-----|------|
| PIN | PAGE | PIN | PAGE | PIN | PAGE | PIN | PAGE | PIN | PAGE | PIN | PAGE | PIN | PAGE | PIN | PAGE | PIN | PAGE | PIN | PAGE | PIN | PAGE | PIN | PAGE | PIN | PAGE |
| 1 | 51 | 1 | | 1 | 66 | 1 | 42 | 1 | 42 | 1 | 43 | 1 | 44 | 1 | 44 | 1 | | 1 | 93 | 1 | 93 | 1 | | 1 | |
| 2 | | 2 | 40, 41 | 2 | 43 | 2 | 66 | 2 | | 2 | | 2 | | 2 | | 2 | 43 | 2 | 91 | 2 | | 2 | | 2 | |
| 3 | | 3 | 40 | 3 | | 3 | 42 | 3 | | 3 | | 3 | | 3 | | 3 | 91 | 3 | | 3 | | 3 | | 3 | |
| 4 | | 4 | 40 | 4 | | 4 | | 4 | | 4 | | 4 | | 4 | | 4 | | 4 | | 4 | | 4 | | 4 | |
| 5 | | 5 | 40 | 5 | | 5 | | 5 | 39 | 5 | | 5 | | 5 | | 5 | | 5 | | 5 | | 5 | 92 | 5 | |
| 6 | | 6 | | 6 | | 6 | | 6 | 39 | 6 | | 6 | | 6 | | 6 | | 6 | | 6 | | 6 | 92 | 6 | |
| 7 | 51, 70 | 7 | 41 | 7 | 51 | 7 | 40, 42 | 7 | 39 | 7 | | 7 | | 7 | | 7 | 90, 91 | 7 | 93 | 7 | | 7 | 92 | 7 | |
| 8 | 51 | 8 | 41 | 8 | | 8 | 42 | 8 | 42 | 8 | 39 | 8 | 67 | 8 | 39 | 8 | 91 | 8 | | 8 | | 8 | 93 | 8 | |
| 9 | | 9 | 41 | 9 | | 9 | 42 | 9 | 42 | 9 | | 9 | 67 | 9 | | 9 | 91 | 9 | | 9 | | 9 | 93 | 9 | |
| 10 | | 10 | | 10 | | 10 | 42 | 10 | 48 | 10 | | 10 | 67 | 10 | | 10 | 91 | 10 | | 10 | | 10 | 92 | 10 | |
| 11 | | 11 | 40 | 11 | | 11 | 40 | 11 | 48 | 11 | | 11 | 43, 67 | 11 | | 11 | 90 | 11 | | 11 | | 11 | 92 | 11 | |
| 12 | | 12 | 40 | 12 | | 12 | 40 | 12 | 42 | 12 | | 12 | 43 | 12 | | 12 | | 12 | | 12 | | 12 | 93 | 12 | |
| 13 | | 13 | 40 | 13 | | 13 | 40 | 13 | 42 | 13 | | 13 | 43 | 13 | | 13 | | 13 | | 13 | | 13 | 93 | 13 | |
| 14 | | 14 | 67 | 14 | | 14 | 42 | 14 | 48 | 14 | | 14 | 43 | 14 | | 14 | | 14 | | 14 | | 14 | 55 | 14 | |
| 15 | | 15 | 40 | 15 | | 15 | 42 | 15 | 48 | 15 | 43 | 15 | 44 | 15 | 44 | 15 | | 15 | | 15 | | 15 | 55 | 15 | |
| 16 | | 16 | | 16 | | 16 | 42 | 16 | 42 | 16 | | 16 | | 16 | | 16 | | 16 | | 16 | | 16 | 92 | 16 | |
| 17 | | 17 | | 17 | 40 | 17 | 51 | 17 | | 17 | | 17 | | 17 | | 17 | | 17 | 92 | 17 | | 17 | 92 | 17 | |
| 18 | | 18 | | 18 | | 18 | | 18 | | 18 | | 18 | | 18 | | 18 | | 18 | | 18 | | 18 | 92 | 18 | |
| 19 | | 19 | | 19 | | 19 | | 19 | | 19 | | 19 | | 19 | | 19 | | 19 | | 19 | | 19 | 93 | 19 | |
| 20 | | 20 | | 20 | | 20 | | 20 | | 20 | | 20 | | 20 | | 20 | | 20 | | 20 | | 20 | 93 | 20 | |
| 21 | 41, 51 | 21 | | 21 | | 21 | | 21 | | 21 | | 21 | | 21 | | 21 | | 21 | | 21 | | 21 | 93 | 21 | |
| 22 | 41 | 22 | | 22 | | 22 | | 22 | 67 | 22 | | 22 | | 22 | | 22 | | 22 | | 22 | | 22 | 65 | 22 | |
| 23 | | 23 | 41 | 23 | | 23 | | 23 | 67 | 23 | | 23 | | 23 | | 23 | | 23 | | 23 | | 23 | 65 | 23 | |
| 24 | | 24 | | 24 | | 24 | | 24 | 67 | 24 | | 24 | | 24 | | 24 | | 24 | | 24 | | 24 | 65 | 24 | |
| 25 | | 25 | | 25 | | 25 | | 25 | 48 | 25 | | 25 | | 25 | | 25 | | 25 | | 25 | | 25 | 93 | 25 | |
| 26 | | 26 | | 26 | 41 | 26 | 48 | 26 | 48 | 26 | | 26 | | 26 | | 26 | 91 | 26 | | 26 | | 26 | 93 | 26 | |
| 27 | | 27 | | 27 | | 27 | | 27 | 48 | 27 | | 27 | | 27 | | 27 | | 27 | | 27 | | 27 | 93 | 27 | |
| 28 | 51 | 28 | | 28 | | 28 | | 28 | 42 | 28 | 39 | 28 | | 28 | 39 | 28 | | 28 | | 28 | | 28 | 92 | 28 | |
| 29 | 51 | 29 | | 29 | | 29 | | 29 | 42 | 29 | | 29 | | 29 | | 29 | | 29 | | 29 | | 29 | 92 | 29 | |
| 30 | 51 | 30 | | 30 | | 30 | | 30 | 42 | 30 | | 30 | | 30 | | 30 | | 30 | | 30 | | 30 | 92 | 30 | |
| 31 | 41, 51 | 31 | | 31 | | 31 | | 31 | 48 | 31 | | 31 | 42 | 31 | | 31 | | 31 | | 31 | | 31 | 93 | 31 | |
| 32 | 41 | 32 | | 32 | | 32 | | 32 | 48 | 32 | | 32 | | 32 | | 32 | | 32 | | 32 | | 32 | 93 | 32 | |
| 33 | | 33 | 51 | 33 | | 33 | | 33 | 48 | 33 | | 33 | | 33 | | 33 | | 33 | | 33 | | 33 | 92 | 33 | |
| 34 | | 34 | | 34 | 48 | 34 | 42 | 34 | 39 | 34 | | 34 | | 34 | | 34 | | 34 | 92, 49 | 34 | | 34 | 92 | 34 | |
| 35 | | 35 | | 35 | | 35 | | 35 | 50 | 35 | 43 | 35 | 44 | 35 | 44 | 35 | | 35 | 49 | 35 | | 35 | 93 | 35 | |
| 36 | | 36 | | 36 | | 36 | | 36 | 39 | 36 | | 36 | | 36 | | 36 | | 36 | 49 | 36 | | 36 | 92 | 36 | |
| 37 | | 37 | | 37 | | 37 | | 37 | 48 | 37 | | 37 | | 37 | | 37 | | 37 | 49 | 37 | | 37 | 92 | 37 | |
| 38 | | 38 | | 38 | | 38 | | 38 | 50 | 38 | | 38 | | 38 | | 38 | | 38 | 92 | 38 | | 38 | 93 | 38 | |
| 39 | | 39 | | 39 | | 39 | | 39 | 39 | 39 | | 39 | | 39 | | 39 | | 39 | | 39 | | 39 | | 39 | |
| 40 | | 40 | | 40 | | 40 | | 40 | 42 | 40 | | 40 | | 40 | | 40 | | 40 | | 40 | | 40 | | 40 | |
| 41 | | 41 | | 41 | | 41 | | 41 | 42 | 41 | | 41 | | 41 | | 41 | | 41 | | 41 | | 41 | | 41 | |
| 42 | | 42 | | 42 | | 42 | | 42 | 39 | 42 | | 42 | | 42 | | 42 | | 42 | | 42 | | 42 | | 42 | |
| 43 | | 43 | | 43 | | 43 | | 43 | 42 | 43 | | 43 | | 43 | | 43 | | 43 | | 43 | | 43 | | 43 | |
| 44 | | 44 | | 44 | | 44 | | 44 | | 44 | | 44 | | 44 | | 44 | | 44 | | 44 | | 44 | | 44 | |
| 45 | | 45 | | 45 | | 45 | | 45 | | 45 | | 45 | | 45 | | 45 | | 45 | | 45 | | 45 | | 45 | |
| 46 | | 46 | | 46 | | 46 | | 46 | | 46 | | 46 | | 46 | | 46 | | 46 | | 46 | | 46 | | 46 | |
| 47 | | 47 | | 47 | | 47 | | 47 | | 47 | | 47 | | 47 | | 47 | | 47 | | 47 | | 47 | | 47 | |

154

PIN LOCATOR - ROW C

ROWS 29 - 40

| LOC | 26 | LOC | 27 | LOC | 28 | LOC | LOC | LOC | 41 | LOC | 42 | LOC | 43 | LOC | 44 | LOC | 45 | LOC | LOC | LOC | LOC | LOC | LOC |
|-----|------|-----|------|-----|------|-----|------|-----|------|-----|------|-----|------|-----|------|-----|------|-----|------|-----|------|-----|------|
| PIN | PAGE | PIN | PAGE | PIN | PAGE | PIN | PAGE | PIN | PAGE | PIN | PAGE | PIN | PAGE | PIN | PAGE | PIN | PAGE | PIN | PAGE | PIN | PAGE | PIN | PAGE |
| 1 | | 1 | | 1 | | 1 | | 1 | | 1 | | 1 | | 1 | | 1 | | 1 | | 1 | | 1 | |
| 2 | | 2 | | 2 | | 2 | | 2 | | 2 | | 2 | | 2 | | 2 | | 2 | | 2 | | 2 | |
| 3 | | 3 | | 3 | | 3 | | 3 | | 3 | | 3 | | 3 | | 3 | | 3 | | 3 | | 3 | |
| 4 | | 4 | | 4 | | 4 | | 4 | | 4 | | 4 | | 4 | | 4 | | 4 | | 4 | | 4 | |
| 5 | | 5 | | 5 | | 5 | | 5 | | 5 | | 5 | | 5 | | 5 | | 5 | | 5 | | 5 | |
| 6 | | 6 | | 6 | | 6 | | 6 | | 6 | | 6 | | 6 | | 6 | | 6 | | 6 | | 6 | |
| 7 | | 7 | | 7 | | 7 | | 7 | | 7 | | 7 | | 7 | | 7 | | 7 | | 7 | | 7 | |
| 8 | | 8 | | 8 | | 8 | | 8 | 132 | 8 | 131 | 8 | 130 | 8 | 129 | 8 | 128 | 8 | | 8 | | 8 | |
| 9 | 127 | 9 | 126 | 9 | 125 | 9 | | 9 | | 9 | | 9 | | 9 | | 9 | | 9 | | 9 | | 9 | |
| 10 | | 10 | | 10 | | 10 | | 10 | 132 | 10 | 131 | 10 | 130 | 10 | 129 | 10 | 128 | 10 | | 10 | | 10 | |
| 11 | | 11 | | 11 | | 11 | | 11 | | 11 | | 11 | | 11 | | 11 | | 11 | | 11 | | 11 | |
| 12 | | 12 | | 12 | | 12 | | 12 | 132 | 12 | 131 | 12 | 130 | 12 | 129 | 12 | 128 | 12 | | 12 | | 12 | |
| 13 | | 13 | | 13 | | 13 | | 13 | | 13 | | 13 | | 13 | | 13 | | 13 | | 13 | | 13 | |
| 14 | | 14 | | 14 | | 14 | | 14 | 132 | 14 | 131 | 14 | 130 | 14 | 129 | 14 | 128 | 14 | | 14 | | 14 | |
| 15 | | 15 | | 15 | | 15 | | 15 | | 15 | | 15 | | 15 | | 15 | | 15 | | 15 | | 15 | |
| 16 | 127 | 16 | 126 | 16 | 125 | 16 | | 16 | 132 | 16 | 131 | 16 | 130 | 16 | 129 | 16 | 128 | 16 | | 16 | | 16 | |
| 17 | | 17 | | 17 | | 17 | | 17 | | 17 | | 17 | | 17 | | 17 | | 17 | | 17 | | 17 | |
| 18 | | 18 | | 18 | | 18 | | 18 | 132 | 18 | 131 | 18 | 130 | 18 | 129 | 18 | 128 | 18 | | 18 | | 18 | |
| 19 | | 19 | | 19 | | 19 | | 19 | | 19 | | 19 | | 19 | | 19 | | 19 | | 19 | | 19 | |
| 20 | | 20 | | 20 | | 20 | | 20 | 132 | 20 | 131 | 20 | 130 | 20 | 129 | 20 | 128 | 20 | | 20 | | 20 | |
| 21 | | 21 | | 21 | | 21 | | 21 | | 21 | | 21 | | 21 | | 21 | | 21 | | 21 | | 21 | |
| 22 | | 22 | | 22 | | 22 | | 22 | 132 | 22 | 131 | 22 | 130 | 22 | 129 | 22 | 128 | 22 | | 22 | | 22 | |
| 23 | | 23 | | 23 | | 23 | | 23 | | 23 | | 23 | | 23 | | 23 | | 23 | | 23 | | 23 | |
| 24 | | 24 | | 24 | | 24 | | 24 | 132 | 24 | 131 | 24 | 130 | 24 | 129 | 24 | 128 | 24 | | 24 | | 24 | |
| 25 | | 25 | | 25 | | 25 | | 25 | | 25 | | 25 | | 25 | | 25 | | 25 | | 25 | | 25 | |
| 26 | | 26 | | 26 | | 26 | | 26 | | 26 | | 26 | | 26 | | 26 | | 26 | | 26 | | 26 | |
| 27 | | 27 | | 27 | | 27 | | 27 | | 27 | | 27 | | 27 | | 27 | | 27 | | 27 | | 27 | |
| 28 | | 28 | | 28 | | 28 | | 28 | 132 | 28 | 131 | 28 | 130 | 28 | 129 | 28 | 128 | 28 | | 28 | | 28 | |
| 29 | | 29 | | 29 | | 29 | | 29 | | 29 | | 29 | | 29 | | 29 | | 29 | | 29 | | 29 | |
| 30 | | 30 | | 30 | | 30 | | 30 | 132 | 30 | 131 | 30 | 130 | 30 | 129 | 30 | 128 | 30 | | 30 | | 30 | |
| 31 | | 31 | | 31 | | 31 | | 31 | | 31 | | 31 | | 31 | | 31 | | 31 | | 31 | | 31 | |
| 32 | | 32 | | 32 | | 32 | | 32 | 132 | 32 | 131 | 32 | 130 | 32 | 129 | 32 | 128 | 32 | | 32 | | 32 | |
| 33 | | 33 | | 33 | | 33 | | 33 | | 33 | | 33 | | 33 | | 33 | | 33 | | 33 | | 33 | |
| 34 | | 34 | | 34 | | 34 | | 34 | 132 | 34 | 131 | 34 | 130 | 34 | 129 | 34 | 128 | 34 | | 34 | | 34 | |
| 35 | | 35 | | 35 | | 35 | | 35 | | 35 | | 35 | | 35 | | 35 | | 35 | | 35 | | 35 | |
| 36 | 127 | 36 | 126 | 36 | 125 | 36 | | 36 | 132 | 36 | 131 | 36 | 130 | 36 | 129 | 36 | 128 | 36 | | 36 | | 36 | |
| 37 | | 37 | | 37 | | 37 | | 37 | | 37 | | 37 | | 37 | | 37 | | 37 | | 37 | | 37 | |
| 38 | | 38 | | 38 | | 38 | | 38 | 132 | 38 | 131 | 38 | 130 | 38 | 129 | 38 | 128 | 38 | | 38 | | 38 | |
| 39 | | 39 | | 39 | | 39 | | 39 | | 39 | | 39 | | 39 | | 39 | | 39 | | 39 | | 39 | |
| 40 | | 40 | | 40 | | 40 | | 40 | | 40 | | 40 | | 40 | | 40 | | 40 | | 40 | | 40 | |
| 41 | | 41 | | 41 | | 41 | | 41 | | 41 | | 41 | | 41 | | 41 | | 41 | | 41 | | 41 | |
| 42 | | 42 | | 42 | | 42 | | 42 | | 42 | | 42 | | 42 | | 42 | | 42 | | 42 | | 42 | |
| 43 | 127 | 43 | 126 | 43 | 125 | 43 | | 43 | | 43 | | 43 | | 43 | | 43 | | 43 | | 43 | | 43 | |
| 44 | | 44 | | 44 | | 44 | | 44 | | 44 | | 44 | | 44 | | 44 | | 44 | | 44 | | 44 | |
| 45 | | 45 | | 45 | | 45 | | 45 | | 45 | | 45 | | 45 | | 45 | | 45 | | 45 | | 45 | |
| 46 | | 46 | | 46 | | 46 | | 46 | | 46 | | 46 | | 46 | | 46 | | 46 | | 46 | | 46 | |
| 47 | | 47 | | 47 | | 47 | | 47 | | 47 | | 47 | | 47 | | 47 | | 47 | | 47 | | 47 | |

PIN LOCATOR - ROW C

| LOC | 14 | LOC | 15 | LOC | 16 | LOC | 17 | LOC | 18 | LOC | 19 | LOC | 20 | LOC | 21 | LOC | 22 | LOC | 23 | LOC | 24 | LOC | 25 | LOC | PAGE |
|-----|--------|-----|--------|-----|------|-----|--------|-----|------|-----|------|-----|--------|-----|------|-----|--------|-----|--------|-----|------|-----|------|-----|------|
| PIN | PAGE | PIN | PAGE | PIN | PAGE | PIN | PAGE | PIN | PAGE | PIN | PAGE | PIN | PAGE | PIN | PAGE | PIN | PAGE | PIN | PAGE | PIN | PAGE | PIN | PAGE | PIN | PAGE |
| 1 | 51 | 1 | | 1 | 66 | 1 | 42 | 1 | 42 | 1 | 43 | 1 | 44 | 1 | 44 | 1 | | 1 | 93 | 1 | 93 | 1 | | 1 | |
| 2 | | 2 | 40, 41 | 2 | 43 | 2 | 66 | 2 | | 2 | | 2 | | 2 | | 2 | 43 | 2 | 91 | 2 | | 2 | | 2 | |
| 3 | | 3 | 40 | 3 | | 3 | 42 | 3 | | 3 | | 3 | | 3 | | 3 | 91 | 3 | | 3 | | 3 | | 3 | |
| 4 | | 4 | 40 | 4 | | 4 | | 4 | | 4 | | 4 | | 4 | | 4 | | 4 | | 4 | | 4 | | 4 | |
| 5 | | 5 | 40 | 5 | | 5 | | 5 | 39 | 5 | | 5 | | 5 | | 5 | | 5 | | 5 | | 5 | 92 | 5 | |
| 6 | | 6 | | 6 | | 6 | | 6 | 39 | 6 | | 6 | | 6 | | 6 | | 6 | | 6 | | 6 | 92 | 6 | |
| 7 | 51, 70 | 7 | 41 | 7 | 84 | 7 | 40, 42 | 7 | 39 | 7 | | 7 | | 7 | | 7 | 90, 91 | 7 | 93 | 7 | 92 | 7 | 92 | 7 | |
| 8 | 51 | 8 | 41 | 8 | | 8 | 42 | 8 | 42 | 8 | 39 | 8 | 67 | 8 | 39 | 8 | 91 | 8 | | 8 | 93 | 8 | | 8 | |
| 9 | | 9 | 41 | 9 | | 9 | 42 | 9 | 42 | 9 | | 9 | 67 | 9 | | 9 | 91 | 9 | | 9 | 93 | 9 | | 9 | |
| 10 | | 10 | | 10 | | 10 | 42 | 10 | 48 | 10 | | 10 | 67 | 10 | | 10 | 91 | 10 | | 10 | 92 | 10 | | 10 | |
| 11 | | 11 | 40 | 11 | | 11 | 40 | 11 | 48 | 11 | | 11 | 43, 67 | 11 | | 11 | 90 | 11 | | 11 | 92 | 11 | | 11 | |
| 12 | | 12 | 40 | 12 | | 12 | 40 | 12 | 42 | 12 | | 12 | 43 | 12 | | 12 | | 12 | | 12 | 93 | 12 | | 12 | |
| 13 | | 13 | 40 | 13 | | 13 | 40 | 13 | 42 | 13 | | 13 | 43 | 13 | | 13 | | 13 | | 13 | 93 | 13 | | 13 | |
| 14 | | 14 | 67 | 14 | | 14 | 42 | 14 | 48 | 14 | | 14 | 43 | 14 | | 14 | | 14 | | 14 | 55 | 14 | | 14 | |
| 15 | | 15 | 40 | 15 | | 15 | 42 | 15 | 48 | 15 | 43 | 15 | 44 | 15 | 44 | 15 | | 15 | | 15 | 55 | 15 | | 15 | |
| 16 | | 16 | | 16 | | 16 | 42 | 16 | 42 | 16 | | 16 | | 16 | | 16 | | 16 | | 16 | 92 | 16 | | 16 | |
| 17 | | 17 | | 17 | 40 | 17 | 51 | 17 | | 17 | | 17 | | 17 | | 17 | | 17 | 92 | 17 | 92 | 17 | | 17 | |
| 18 | | 18 | | 18 | | 18 | | 18 | | 18 | | 18 | | 18 | | 18 | | 18 | | 18 | 92 | 18 | | 18 | |
| 19 | | 19 | | 19 | | 19 | | 19 | | 19 | | 19 | | 19 | | 19 | | 19 | | 19 | 93 | 19 | | 19 | |
| 20 | | 20 | | 20 | | 20 | | 20 | | 20 | | 20 | | 20 | | 20 | | 20 | | 20 | 93 | 20 | | 20 | |
| 21 | 41, 51 | 21 | | 21 | | 21 | | 21 | | 21 | | 21 | | 21 | | 21 | | 21 | | 21 | 93 | 21 | | 21 | |
| 22 | 41 | 22 | | 22 | | 22 | | 22 | 67 | 22 | | 22 | | 22 | | 22 | | 22 | | 22 | 65 | 22 | | 22 | |
| 23 | | 23 | 41 | 23 | | 23 | | 23 | 67 | 23 | | 23 | | 23 | | 23 | | 23 | | 23 | 65 | 23 | | 23 | |
| 24 | | 24 | | 24 | | 24 | | 24 | 67 | 24 | | 24 | | 24 | | 24 | | 24 | | 24 | 65 | 24 | | 24 | |
| 25 | | 25 | | 25 | | 25 | | 25 | 48 | 25 | | 25 | | 25 | | 25 | | 25 | | 25 | 93 | 25 | | 25 | |
| 26 | | 26 | | 26 | 41 | 26 | 48 | 26 | 48 | 26 | | 26 | | 26 | | 26 | 91 | 26 | | 26 | 93 | 26 | | 26 | |
| 27 | | 27 | | 27 | | 27 | | 27 | 48 | 27 | | 27 | | 27 | | 27 | | 27 | | 27 | 93 | 27 | | 27 | |
| 28 | 51 | 28 | | 28 | | 28 | | 28 | 42 | 28 | 39 | 28 | | 28 | 39 | 28 | | 28 | | 28 | 92 | 28 | | 28 | |
| 29 | 51 | 29 | | 29 | | 29 | | 29 | 42 | 29 | | 29 | | 29 | | 29 | | 29 | | 29 | 92 | 29 | | 29 | |
| 30 | 51 | 30 | | 30 | | 30 | | 30 | 42 | 30 | | 30 | | 30 | | 30 | | 30 | | 30 | 92 | 30 | | 30 | |
| 31 | 41, 51 | 31 | | 31 | | 31 | | 31 | 48 | 31 | | 31 | 42 | 31 | | 31 | | 31 | | 31 | 93 | 31 | | 31 | |
| 32 | 41 | 32 | | 32 | | 32 | | 32 | 48 | 32 | | 32 | | 32 | | 32 | | 32 | | 32 | 93 | 32 | | 32 | |
| 33 | | 33 | 51 | 33 | | 33 | | 33 | 48 | 33 | | 33 | | 33 | | 33 | | 33 | | 33 | 92 | 33 | | 33 | |
| 34 | | 34 | | 34 | 48 | 34 | 42 | 34 | 39 | 34 | | 34 | | 34 | | 34 | | 34 | 92, 49 | 34 | 92 | 34 | | 34 | |
| 35 | | 35 | | 35 | | 35 | | 35 | 50 | 35 | 43 | 35 | 44 | 35 | 44 | 35 | | 35 | 49 | 35 | 93 | 35 | | 35 | |
| 36 | | 36 | | 36 | | 36 | | 36 | 39 | 36 | | 36 | | 36 | | 36 | | 36 | 49 | 36 | 92 | 36 | | 36 | |
| 37 | | 37 | | 37 | | 37 | | 37 | 48 | 37 | | 37 | | 37 | | 37 | | 37 | 49 | 37 | 92 | 37 | | 37 | |
| 38 | | 38 | | 38 | | 38 | | 38 | 50 | 38 | | 38 | | 38 | | 38 | | 38 | 92 | 38 | 93 | 38 | | 38 | |
| 39 | | 39 | | 39 | | 39 | | 39 | 39 | 39 | | 39 | | 39 | | 39 | | 39 | | 39 | | 39 | | 39 | |
| 40 | | 40 | | 40 | | 40 | | 40 | 42 | 40 | | 40 | | 40 | | 40 | | 40 | | 40 | | 40 | | 40 | |
| 41 | | 41 | | 41 | | 41 | | 41 | 42 | 41 | | 41 | | 41 | | 41 | | 41 | | 41 | | 41 | | 41 | |
| 42 | | 42 | | 42 | | 42 | | 42 | 39 | 42 | | 42 | | 42 | | 42 | | 42 | | 42 | | 42 | | 42 | |
| 43 | | 43 | | 43 | | 43 | | 43 | 42 | 43 | | 43 | | 43 | | 43 | | 43 | | 43 | | 43 | | 43 | |
| 44 | | 44 | | 44 | | 44 | | 44 | | 44 | | 44 | | 44 | | 44 | | 44 | | 44 | | 44 | | 44 | |
| 45 | | 45 | | 45 | | 45 | | 45 | | 45 | | 45 | | 45 | | 45 | | 45 | | 45 | | 45 | | 45 | |
| 46 | | 46 | | 46 | | 46 | | 46 | | 46 | | 46 | | 46 | | 46 | | 46 | | 46 | | 46 | | 46 | |
| 47 | | 47 | | 47 | | 47 | | 47 | | 47 | | 47 | | 47 | | 47 | | 47 | | 47 | | 47 | | 47 | |

155

PIN LOCATOR - ROW D

| LOC | 1 | LOC | 2 | LOC | 3 | LOC | 4 | LOC | 5 | LOC | 6 | LOC | 7 | LOC | 8 | LOC | 9 | LOC | 10 | LOC | 11 | LOC | 12 | LOC | 13 |
|-----|------|-----|------|-----|------|-----|------|-----|--------|-----|--------|-----|--------|-----|--------|-----|------------|-----|------|-----|------|-----|------|-----|------|
| PIN | PAGE | PIN | PAGE | PIN | PAGE | PIN | PAGE | PIN | PAGE | PIN | PAGE | PIN | PAGE | PIN | PAGE | PIN | PAGE | PIN | PAGE | PIN | PAGE | PIN | PAGE | PIN | PAGE |
| 1 | | 1 | | 1 | | 1 | | 1 | 95 | 1 | | 1 | | 1 | 96 | 1 | 96 | 1 | 87 | 1 | 90 | 1 | 72 | 1 | 85 |
| 2 | | 2 | | 2 | 95 | 2 | 95 | 2 | | 2 | 96 | 2 | | 2 | | 2 | 87 | 2 | | 2 | | 2 | | 2 | 85 |
| 3 | | 3 | | 3 | | 3 | | 3 | | 3 | | 3 | 94 | 3 | | 3 | 96 | 3 | | 3 | | 3 | | 3 | 85 |
| 4 | | 4 | | 4 | | 4 | | 4 | | 4 | | 4 | | 4 | | 4 | | 4 | | 4 | | 4 | | 4 | 84 |
| 5 | | 5 | | 5 | | 5 | | 5 | | 5 | | 5 | | 5 | | 5 | | 5 | | 5 | 72 | 5 | | 5 | |
| 6 | | 6 | | 6 | | 6 | | 6 | | 6 | | 6 | | 6 | | 6 | | 6 | | 6 | 72 | 6 | | 6 | |
| 7 | | 7 | | 7 | 95 | 7 | | 7 | | 7 | 96 | 7 | 94, 96 | 7 | | 7 | 87 | 7 | | 7 | 72 | 7 | | 7 | |
| 8 | | 8 | | 8 | | 8 | | 8 | | 8 | 96 | 8 | 94 | 8 | | 8 | | 8 | | 8 | 71 | 8 | | 8 | |
| 9 | | 9 | | 9 | | 9 | | 9 | | 9 | 96 | 9 | 94 | 9 | | 9 | | 9 | | 9 | | 9 | | 9 | |
| 10 | | 10 | | 10 | | 10 | | 10 | | 10 | | 10 | | 10 | | 10 | | 10 | | 10 | | 10 | | 10 | |
| 11 | | 11 | | 11 | | 11 | | 11 | | 11 | 96 | 11 | 96 | 11 | 65, 96 | 11 | | 11 | | 11 | | 11 | | 11 | |
| 12 | | 12 | | 12 | | 12 | | 12 | | 12 | 96 | 12 | | 12 | 65 | 12 | | 12 | | 12 | 84 | 12 | | 12 | |
| 13 | | 13 | | 13 | | 13 | | 13 | | 13 | 96 | 13 | | 13 | 65 | 13 | | 13 | | 13 | 84 | 13 | | 13 | |
| 14 | | 14 | | 14 | | 14 | | 14 | | 14 | 60 | 14 | | 14 | 65 | 14 | | 14 | | 14 | 87 | 14 | | 14 | |
| 15 | | 15 | | 15 | 95 | 15 | 98 | 15 | | 15 | 96 | 15 | | 15 | 96 | 15 | | 15 | | 15 | 87 | 15 | | 15 | |
| 16 | | 16 | | 16 | 95 | 16 | 98 | 16 | | 16 | | 16 | | 16 | | 16 | | 16 | | 16 | 72 | 16 | | 16 | |
| 17 | | 17 | | 17 | 95 | 17 | 98 | 17 | | 17 | | 17 | | 17 | | 17 | | 17 | | 17 | 72 | 17 | | 17 | |
| 18 | | 18 | | 18 | | 18 | | 18 | | 18 | | 18 | | 18 | | 18 | | 18 | | 18 | 72 | 18 | | 18 | |
| 19 | | 19 | | 19 | 95 | 19 | 95 | 19 | | 19 | | 19 | | 19 | | 19 | | 19 | | 19 | 50 | 19 | | 19 | |
| 20 | | 20 | | 20 | | 20 | | 20 | | 20 | | 20 | | 20 | | 20 | | 20 | | 20 | 50 | 20 | | 20 | |
| 21 | | 21 | | 21 | | 21 | | 21 | 95, 98 | 21 | | 21 | | 21 | 94, 96 | 21 | | 21 | | 21 | 50 | 21 | | 21 | |
| 22 | | 22 | | 22 | | 22 | | 22 | 98 | 22 | | 22 | | 22 | 94 | 22 | | 22 | | 22 | 39 | 22 | | 22 | |
| 23 | | 23 | | 23 | | 23 | 98 | 23 | | 23 | 98 | 23 | | 23 | | 23 | | 23 | | 23 | | 23 | | 23 | |
| 24 | | 24 | | 24 | | 24 | | 24 | | 24 | | 24 | | 24 | | 24 | | 24 | | 24 | | 24 | | 24 | |
| 25 | | 25 | | 25 | | 25 | | 25 | | 25 | | 25 | | 25 | | 25 | | 25 | | 25 | 72 | 25 | | 25 | |
| 26 | | 26 | | 26 | | 26 | | 26 | | 26 | | 26 | | 26 | | 26 | | 26 | | 26 | 72 | 26 | 71 | 26 | |
| 27 | | 27 | | 27 | | 27 | | 27 | | 27 | | 27 | | 27 | | 27 | | 27 | | 27 | 72 | 27 | | 27 | |
| 28 | | 28 | | 28 | | 28 | | 28 | | 28 | | 28 | | 28 | | 28 | | 28 | | 28 | 90 | 28 | | 28 | |
| 29 | | 29 | | 29 | | 29 | | 29 | | 29 | | 29 | | 29 | | 29 | | 29 | | 29 | 90 | 29 | | 29 | |
| 30 | | 30 | | 30 | | 30 | | 30 | | 30 | | 30 | | 30 | | 30 | | 30 | | 30 | 90 | 30 | | 30 | |
| 31 | | 31 | | 31 | | 31 | | 31 | | 31 | | 31 | | 31 | | 31 | | 31 | | 31 | 45 | 31 | | 31 | |
| 32 | | 32 | | 32 | | 32 | | 32 | | 32 | | 32 | | 32 | | 32 | | 32 | | 32 | 45 | 32 | | 32 | |
| 33 | | 33 | | 33 | | 33 | | 33 | | 33 | 95, 96 | 33 | | 33 | | 33 | | 33 | | 33 | 87 | 33 | | 33 | |
| 34 | | 34 | | 34 | | 34 | | 34 | | 34 | 95 | 34 | | 34 | | 34 | 94, 96, 97 | 34 | | 34 | 42 | 34 | | 34 | |
| 35 | | 35 | | 35 | | 35 | | 35 | | 35 | | 35 | | 35 | | 35 | 96 | 35 | | 35 | 87 | 35 | | 35 | |
| 36 | | 36 | | 36 | | 36 | | 36 | | 36 | | 36 | | 36 | | 36 | 96 | 36 | | 36 | 42 | 36 | | 36 | 50 |
| 37 | | 37 | | 37 | | 37 | | 37 | | 37 | | 37 | | 37 | | 37 | 96 | 37 | | 37 | 87 | 37 | | 37 | 84 |
| 38 | | 38 | | 38 | | 38 | | 38 | | 38 | | 38 | | 38 | | 38 | 94 | 38 | | 38 | | 38 | | 38 | |
| 39 | | 39 | | 39 | | 39 | | 39 | | 39 | 96 | 39 | | 39 | | 39 | 94 | 39 | | 39 | | 39 | | 39 | 85 |
| 40 | | 40 | | 40 | | 40 | | 40 | | 40 | | 40 | | 40 | | 40 | 94 | 40 | | 40 | | 40 | | 40 | 85 |
| 41 | | 41 | | 41 | | 41 | | 41 | | 41 | | 41 | | 41 | | 41 | 47 | 41 | | 41 | | 41 | | 41 | |
| 42 | | 42 | | 42 | | 42 | | 42 | | 42 | | 42 | | 42 | | 42 | 47 | 42 | | 42 | | 42 | | 42 | |
| 43 | | 43 | | 43 | | 43 | | 43 | | 43 | | 43 | | 43 | | 43 | 47 | 43 | | 43 | 90 | 43 | | 43 | |
| 44 | | 44 | | 44 | | 44 | | 44 | | 44 | | 44 | | 44 | | 44 | | 44 | | 44 | | 44 | | 44 | |
| 45 | | 45 | | 45 | | 45 | | 45 | | 45 | | 45 | | 45 | | 45 | | 45 | | 45 | | 45 | | 45 | |
| 46 | | 46 | | 46 | | 46 | | 46 | | 46 | | 46 | | 46 | | 46 | | 46 | | 46 | | 46 | | 46 | |
| 47 | | 47 | | 47 | | 47 | | 47 | | 47 | | 47 | | 47 | | 47 | | 47 | | 47 | | 47 | | 47 | |

157

PIN LOCATOR - ROW D

| LOC | LOC | LOC | 3 | LOC | 4 | LOC | 5 | LOC | 6 | LOC | 7 | LOC | 8 | LOC | 9 | LOC | 10 | LOC | 11 | LOC | 12 | LOC | 13 |
|-----|------|-----|------|-----|------|-----|--------|-----|--------|-----|--------|-----|--------|-----|------------|-----|------|-----|------|-----|------|-----|------|
| PIN | PAGE | PIN | PAGE | PIN | PAGE | PIN | PAGE | PIN | PAGE | PIN | PAGE | PIN | PAGE | PIN | PAGE | PIN | PAGE | PIN | PAGE | PIN | PAGE | PIN | PAGE |
| 1 | | 1 | | 1 | | 1 | 95 | 1 | 33 | 1 | 33 | 1 | 96 | 1 | 96 | 1 | 87 | 1 | 90 | 1 | 72 | 1 | 85 |
| 2 | | 2 | 95 | 2 | 95 | 2 | | 2 | 96 | 2 | 33 | 2 | | 2 | 87 | 2 | | 2 | | 2 | | 2 | 85 |
| 3 | | 3 | | 3 | | 3 | | 3 | | 3 | 94 | 3 | | 3 | 96 | 3 | | 3 | | 3 | | 3 | 85 |
| 4 | | 4 | | 4 | | 4 | | 4 | | 4 | | 4 | | 4 | | 4 | | 4 | | 4 | | 4 | 84 |
| 5 | | 5 | | 5 | | 5 | | 5 | | 5 | | 5 | | 5 | | 5 | | 5 | 72 | 5 | | 5 | |
| 6 | | 6 | | 6 | | 6 | | 6 | 33 | 6 | | 6 | | 6 | | 6 | | 6 | 72 | 6 | | 6 | |
| 7 | | 7 | 95 | 7 | | 7 | | 7 | 96 | 7 | 94, 96 | 7 | | 7 | 87 | 7 | | 7 | 72 | 7 | | 7 | |
| 8 | | 8 | | 8 | | 8 | | 8 | 96 | 8 | 94 | 8 | | 8 | | 8 | | 8 | 71 | 8 | | 8 | |
| 9 | | 9 | | 9 | | 9 | | 9 | 96 | 9 | 94 | 9 | | 9 | | 9 | | 9 | | 9 | | 9 | |
| 10 | | 10 | | 10 | | 10 | | 10 | 33 | 10 | 94 | 10 | | 10 | | 10 | | 10 | | 10 | | 10 | |
| 11 | | 11 | | 11 | | 11 | | 11 | 96 | 11 | 96 | 11 | 65, 96 | 11 | | 11 | | 11 | | 11 | | 11 | |
| 12 | | 12 | | 12 | | 12 | | 12 | 96 | 12 | | 12 | 65 | 12 | | 12 | | 12 | 84 | 12 | | 12 | |
| 13 | | 13 | | 13 | | 13 | | 13 | 96 | 13 | | 13 | 65 | 13 | | 13 | | 13 | 84 | 13 | | 13 | |
| 14 | | 14 | | 14 | 21 | 14 | | 14 | 60 | 14 | | 14 | 65 | 14 | | 14 | | 14 | 87 | 14 | | 14 | |
| 15 | | 15 | 95 | 15 | 98 | 15 | | 15 | 96 | 15 | | 15 | 96 | 15 | | 15 | | 15 | 87 | 15 | | 15 | |
| 16 | | 16 | 95 | 16 | 98 | 16 | | 16 | | 16 | | 16 | | 16 | | 16 | | 16 | 72 | 16 | | 16 | |
| 17 | | 17 | 95 | 17 | 98 | 17 | | 17 | | 17 | | 17 | | 17 | | 17 | | 17 | 72 | 17 | | 17 | |
| 18 | | 18 | | 18 | 26 | 18 | | 18 | | 18 | | 18 | | 18 | | 18 | | 18 | 72 | 18 | | 18 | |
| 19 | | 19 | 95 | 19 | 95 | 19 | | 19 | | 19 | | 19 | | 19 | | 19 | | 19 | 50 | 19 | | 19 | |
| 20 | | 20 | | 20 | | 20 | | 20 | | 20 | | 20 | | 20 | | 20 | | 20 | 50 | 20 | | 20 | |
| 21 | | 21 | | 21 | | 21 | 95, 98 | 21 | | 21 | | 21 | 94, 96 | 21 | | 21 | | 21 | 50 | 21 | | 21 | |
| 22 | | 22 | | 22 | | 22 | 98 | 22 | | 22 | | 22 | 94 | 22 | | 22 | | 22 | 39 | 22 | | 22 | |
| 23 | | 23 | | 23 | 98 | 23 | | 23 | 98 | 23 | | 23 | | 23 | | 23 | | 23 | | 23 | | 23 | |
| 24 | | 24 | | 24 | | 24 | | 24 | | 24 | | 24 | | 24 | | 24 | | 24 | | 24 | | 24 | |
| 25 | | 25 | | 25 | | 25 | | 25 | | 25 | | 25 | | 25 | | 25 | | 25 | 72 | 25 | | 25 | |
| 26 | | 26 | | 26 | | 26 | | 26 | | 26 | | 26 | | 26 | | 26 | | 26 | 72 | 26 | 71 | 26 | |
| 27 | | 27 | | 27 | | 27 | | 27 | | 27 | | 27 | | 27 | | 27 | | 27 | 72 | 27 | | 27 | |
| 28 | | 28 | | 28 | | 28 | | 28 | | 28 | | 28 | | 28 | | 28 | | 28 | 90 | 28 | | 28 | |
| 29 | | 29 | | 29 | | 29 | | 29 | | 29 | | 29 | | 29 | | 29 | | 29 | 90 | 29 | | 29 | |
| 30 | | 30 | | 30 | | 30 | | 30 | | 30 | | 30 | | 30 | | 30 | | 30 | 90 | 30 | | 30 | |
| 31 | | 31 | | 31 | | 31 | | 31 | | 31 | | 31 | | 31 | | 31 | | 31 | 45 | 31 | | 31 | |
| 32 | | 32 | | 32 | | 32 | | 32 | | 32 | | 32 | | 32 | | 32 | | 32 | 45 | 32 | | 32 | |
| 33 | | 33 | | 33 | | 33 | | 33 | 95, 96 | 33 | | 33 | | 33 | | 33 | | 33 | 87 | 33 | | 33 | |
| 34 | | 34 | | 34 | | 34 | | 34 | 95 | 34 | | 34 | | 34 | 94, 96, 47 | 34 | | 34 | 42 | 34 | | 34 | |
| 35 | | 35 | | 35 | | 35 | | 35 | | 35 | | 35 | | 35 | 96 | 35 | | 35 | 87 | 35 | | 35 | |
| 36 | | 36 | | 36 | | 36 | | 36 | | 36 | | 36 | | 36 | 96 | 36 | | 36 | 42 | 36 | | 36 | 50 |
| 37 | | 37 | | 37 | | 37 | | 37 | | 37 | | 37 | | 37 | 96 | 37 | | 37 | 87 | 37 | | 37 | 84 |
| 38 | | 38 | | 38 | | 38 | | 38 | | 38 | | 38 | | 38 | 94 | 38 | | 38 | | 38 | | 38 | |
| 39 | | 39 | | 39 | | 39 | | 39 | 96 | 39 | | 39 | | 39 | 94 | 39 | | 39 | | 39 | | 39 | 85 |
| 40 | | 40 | | 40 | | 40 | | 40 | | 40 | | 40 | | 40 | 94 | 40 | | 40 | | 40 | | 40 | 85 |
| 41 | | 41 | | 41 | | 41 | | 41 | | 41 | | 41 | | 41 | 47 | 41 | | 41 | | 41 | | 41 | |
| 42 | | 42 | | 42 | | 42 | | 42 | | 42 | | 42 | | 42 | 47 | 42 | | 42 | | 42 | | 42 | |
| 43 | | 43 | | 43 | | 43 | | 43 | | 43 | | 43 | | 43 | 47 | 43 | | 43 | 90 | 43 | | 43 | |
| 44 | | 44 | | 44 | | 44 | | 44 | | 44 | | 44 | | 44 | | 44 | | 44 | | 44 | | 44 | |
| 45 | | 45 | | 45 | | 45 | | 45 | | 45 | | 45 | | 45 | | 45 | | 45 | | 45 | | 45 | |
| 46 | | 46 | | 46 | | 46 | | 46 | | 46 | | 46 | | 46 | | 46 | | 46 | | 46 | | 46 | |
| 47 | | 47 | | 47 | | 47 | | 47 | | 47 | | 47 | | 47 | | 47 | | 47 | | 47 | | 47 | |

152

PIN LOCATOR - ROW D

| LOC | 14 | LOC | 15 | LOC | 16 | LOC | 17 | LOC | 18 | LOC | 19 | LOC | 20 | LOC | 21 | LOC | 22 | LOC | 23 | LOC | 24 | LOC | 25 | LOC | |
|-----|------------|-----|------|-----|------|-----|--------|-----|------|-----|--------|-----|------|-----|------|-----|------|-----|------|-----|------|-----|--------|-----|------|
| PIN | PAGE | PIN | PAGE | PIN | PAGE | PIN | PAGE | PIN | PAGE | PIN | PAGE | PIN | PAGE | PIN | PAGE | PIN | PAGE | PIN | PAGE | PIN | PAGE | PIN | PAGE | PIN | PAGE |
| 1 | | 1 | | 1 | 85 | 1 | 84 | 1 | 86 | 1 | 81 | 1 | 81 | 1 | 81 | 1 | 82 | 1 | 83 | 1 | 83 | 1 | 82 | 1 | |
| 2 | | 2 | 84 | 2 | 85 | 2 | 84 | 2 | | 2 | 81 | 2 | | 2 | | 2 | | 2 | 83 | 2 | 83 | 2 | 82 | 2 | |
| 3 | 84 | 3 | | 3 | 85 | 3 | 84 | 3 | | 3 | 81 | 3 | | 3 | | 3 | | 3 | 83 | 3 | 83 | 3 | 82 | 3 | |
| 4 | | 4 | | 4 | 84 | 4 | 91 | 4 | | 4 | 59 | 4 | | 4 | | 4 | | 4 | 82 | 4 | 82 | 4 | | 4 | |
| 5 | | 5 | | 5 | | 5 | | 5 | | 5 | 92 | 5 | | 5 | | 5 | 91 | 5 | | 5 | | 5 | 82 | 5 | |
| 6 | | 6 | | 6 | | 6 | | 6 | | 6 | | 6 | | 6 | | 6 | | 6 | | 6 | | 6 | 82 | 6 | |
| 7 | | 7 | 84 | 7 | | 7 | | 7 | 86 | 7 | 48 | 7 | | 7 | | 7 | | 7 | | 7 | | 7 | | 7 | |
| 8 | | 8 | 84 | 8 | | 8 | | 8 | 86 | 8 | 59 | 8 | | 8 | | 8 | | 8 | | 8 | | 8 | | 8 | |
| 9 | | 9 | 84 | 9 | | 9 | | 9 | 86 | 9 | 92, 59 | 9 | | 9 | | 9 | | 9 | | 9 | | 9 | | 9 | |
| 10 | | 10 | | 10 | | 10 | | 10 | | 10 | 92 | 10 | | 10 | | 10 | | 10 | | 10 | | 10 | 82 | 10 | |
| 11 | | 11 | 84 | 11 | | 11 | | 11 | | 11 | 92 | 11 | | 11 | | 11 | | 11 | | 11 | | 11 | | 11 | |
| 12 | | 12 | 84 | 12 | | 12 | | 12 | | 12 | | 12 | | 12 | | 12 | 90 | 12 | | 12 | | 12 | | 12 | |
| 13 | | 13 | 84 | 13 | | 13 | | 13 | 86 | 13 | 48 | 13 | | 13 | | 13 | | 13 | | 13 | | 13 | | 13 | |
| 14 | | 14 | | 14 | | 14 | | 14 | | 14 | 48 | 14 | | 14 | | 14 | | 14 | | 14 | 55 | 14 | | 14 | |
| 15 | | 15 | 84 | 15 | | 15 | | 15 | | 15 | 48, 59 | 15 | | 15 | | 15 | | 15 | | 15 | 55 | 15 | | 15 | |
| 16 | | 16 | 84 | 16 | | 16 | 85 | 16 | | 16 | 81 | 16 | | 16 | | 16 | 48 | 16 | | 16 | 82 | 16 | 83 | 16 | |
| 17 | | 17 | 84 | 17 | | 17 | | 17 | | 17 | | 17 | | 17 | | 17 | 48 | 17 | | 17 | | 17 | | 17 | |
| 18 | | 18 | | 18 | | 18 | | 18 | | 18 | | 18 | | 18 | | 18 | 48 | 18 | | 18 | | 18 | | 18 | |
| 19 | | 19 | 84 | 19 | | 19 | | 19 | | 19 | | 19 | | 19 | | 19 | 49 | 19 | | 19 | | 19 | | 19 | |
| 20 | | 20 | | 20 | | 20 | | 20 | | 20 | | 20 | | 20 | | 20 | 49 | 20 | | 20 | | 20 | | 20 | |
| 21 | | 21 | | 21 | | 21 | | 21 | | 21 | | 21 | | 21 | | 21 | 49 | 21 | | 21 | | 21 | | 21 | |
| 22 | | 22 | | 22 | | 22 | | 22 | | 22 | | 22 | | 22 | | 22 | 91 | 22 | | 22 | | 22 | | 22 | |
| 23 | | 23 | | 23 | | 23 | | 23 | | 23 | | 23 | | 23 | | 23 | 91 | 23 | | 23 | | 23 | | 23 | |
| 24 | | 24 | | 24 | | 24 | | 24 | | 24 | | 24 | | 24 | | 24 | 91 | 24 | | 24 | | 24 | | 24 | |
| 25 | | 25 | | 25 | | 25 | | 25 | | 25 | | 25 | | 25 | | 25 | 90 | 25 | | 25 | | 25 | | 25 | |
| 26 | | 26 | | 26 | | 26 | 84, 85 | 26 | | 26 | | 26 | | 26 | | 26 | 90 | 26 | | 26 | | 26 | 82, 83 | 26 | |
| 27 | | 27 | | 27 | | 27 | 84 | 27 | | 27 | | 27 | | 27 | | 27 | 90 | 27 | | 27 | | 27 | 82 | 27 | |
| 28 | | 28 | | 28 | | 28 | 84 | 28 | | 28 | | 28 | | 28 | | 28 | 91 | 28 | | 28 | | 28 | 82 | 28 | |
| 29 | | 29 | | 29 | | 29 | 84, 85 | 29 | | 29 | | 29 | | 29 | | 29 | | 29 | | 29 | | 29 | 82, 83 | 29 | |
| 30 | | 30 | | 30 | | 30 | 84 | 30 | | 30 | | 30 | | 30 | | 30 | | 30 | | 30 | | 30 | 82 | 30 | |
| 31 | | 31 | | 31 | | 31 | | 31 | | 31 | | 31 | | 31 | | 31 | | 31 | | 31 | | 31 | | 31 | |
| 32 | | 32 | | 32 | | 32 | | 32 | | 32 | | 32 | | 32 | | 32 | | 32 | | 32 | | 32 | | 32 | |
| 33 | | 33 | | 33 | | 33 | | 33 | | 33 | | 33 | | 33 | | 33 | | 33 | | 33 | | 33 | | 33 | |
| 34 | 43, 57, 73 | 34 | | 34 | | 34 | | 34 | | 34 | | 34 | | 34 | | 34 | 49 | 34 | | 34 | | 34 | | 34 | |
| 35 | 43 | 35 | | 35 | | 35 | | 35 | | 35 | | 35 | | 35 | | 35 | 91 | 35 | | 35 | | 35 | | 35 | |
| 36 | 43 | 36 | | 36 | | 36 | | 36 | | 36 | | 36 | | 36 | | 36 | 49 | 36 | | 36 | | 36 | | 36 | |
| 37 | 43 | 37 | | 37 | 84 | 37 | 97 | 37 | 48 | 37 | 86 | 37 | 81 | 37 | 81 | 37 | 91 | 37 | 82 | 37 | 82 | 37 | | 37 | |
| 38 | 57 | 38 | | 38 | | 38 | | 38 | | 38 | | 38 | | 38 | | 38 | 91 | 38 | | 38 | | 38 | | 38 | |
| 39 | 57 | 39 | | 39 | 85 | 39 | | 39 | | 39 | | 39 | 81 | 39 | 81 | 39 | 81 | 39 | 83 | 39 | 83 | 39 | | 39 | |
| 40 | 57 | 40 | | 40 | 85 | 40 | | 40 | | 40 | | 40 | 81 | 40 | 81 | 40 | 82 | 40 | 83 | 40 | 83 | 40 | | 40 | |
| 41 | 73 | 41 | | 41 | | 41 | | 41 | | 41 | | 41 | | 41 | | 41 | 82 | 41 | | 41 | | 41 | | 41 | |
| 42 | 73 | 42 | | 42 | | 42 | | 42 | | 42 | | 42 | | 42 | | 42 | 81 | 42 | | 42 | | 42 | | 42 | |
| 43 | 73 | 43 | | 43 | | 43 | | 43 | | 43 | | 43 | | 43 | | 43 | | 43 | | 43 | | 43 | | 43 | |
| 44 | | 44 | | 44 | | 44 | | 44 | | 44 | | 44 | | 44 | | 44 | | 44 | | 44 | | 44 | | 44 | |
| 45 | | 45 | | 45 | | 45 | | 45 | | 45 | | 45 | | 45 | | 45 | | 45 | | 45 | | 45 | | 45 | |
| 46 | | 46 | | 46 | | 46 | | 46 | | 46 | | 46 | | 46 | | 46 | | 46 | | 46 | | 46 | | 46 | |
| 47 | | 47 | | 47 | | 47 | | 47 | | 47 | | 47 | | 47 | | 47 | | 47 | | 47 | | 47 | | 47 | |

159

PIN LOCATOR - ROW D

| LOC | 14 | LOC | 15 | LOC | 16 | LOC | 17 | LOC | 18 | LOC | 19 | LOC | 20 | LOC | 21 | LOC | 22 | LOC | 23 | LOC | 24 | LOC | 25 | LOC |
|-----|------------|-----|------|-----|------|-----|--------|-----|------|-----|--------|-----|------|-----|------|-----|------|-----|------|-----|------|-----|--------|-----|
| PIN | PAGE | PIN | PAGE | PIN | PAGE | PIN | PAGE | PIN | PAGE | PIN | PAGE | PIN | PAGE | PIN | PAGE | PIN | PAGE | PIN | PAGE | PIN | PAGE | PIN | PAGE | |
| 1 | | 1 | | 1 | 85 | 1 | 84 | 1 | 86 | 1 | 81 | 1 | 81 | 1 | 81 | 1 | 82 | 1 | 83 | 1 | 83 | 1 | 82 | 1 |
| 2 | | 2 | 84 | 2 | 85 | 2 | 84 | 2 | | 2 | 81 | 2 | | 2 | | 2 | | 2 | 83 | 2 | 83 | 2 | 82 | 2 |
| 3 | 84 | 3 | | 3 | 85 | 3 | 84 | 3 | | 3 | 81 | 3 | | 3 | | 3 | | 3 | 83 | 3 | 83 | 3 | 82 | 3 |
| 4 | | 4 | | 4 | 84 | 4 | 91 | 4 | | 4 | 59 | 4 | | 4 | | 4 | | 4 | 82 | 4 | 82 | 4 | | 4 |
| 5 | | 5 | | 5 | | 5 | | 5 | | 5 | 92 | 5 | | 5 | | 5 | 91 | 5 | | 5 | | 5 | 82 | 5 |
| 6 | | 6 | | 6 | | 6 | | 6 | | 6 | | 6 | | 6 | | 6 | | 6 | | 6 | | 6 | 82 | 6 |
| 7 | | 7 | 84 | 7 | | 7 | | 7 | 86 | 7 | 48 | 7 | | 7 | | 7 | | 7 | | 7 | | 7 | | 7 |
| 8 | | 8 | 84 | 8 | | 8 | | 8 | 86 | 8 | 59 | 8 | | 8 | | 8 | | 8 | | 8 | | 8 | | 8 |
| 9 | | 9 | 84 | 9 | | 9 | | 9 | 86 | 9 | 92, 59 | 9 | | 9 | | 9 | | 9 | | 9 | | 9 | | 9 |
| 10 | | 10 | | 10 | | 10 | | 10 | | 10 | 92 | 10 | | 10 | | 10 | | 10 | | 10 | | 10 | 82 | 10 |
| 11 | | 11 | 84 | 11 | | 11 | | 11 | | 11 | 92 | 11 | | 11 | | 11 | | 11 | | 11 | | 11 | | 11 |
| 12 | | 12 | 84 | 12 | | 12 | | 12 | | 12 | | 12 | | 12 | | 12 | 90 | 12 | | 12 | | 12 | | 12 |
| 13 | | 13 | 84 | 13 | | 13 | | 13 | 86 | 13 | 48 | 13 | | 13 | | 13 | | 13 | | 13 | | 13 | | 13 |
| 14 | | 14 | | 14 | | 14 | | 14 | | 14 | 48 | 14 | | 14 | | 14 | | 14 | | 14 | 55 | 14 | | 14 |
| 15 | | 15 | 84 | 15 | | 15 | | 15 | | 15 | 48, 59 | 15 | | 15 | | 15 | | 15 | | 15 | 55 | 15 | | 15 |
| 16 | | 16 | 84 | 16 | | 16 | 85 | 16 | | 16 | 81 | 16 | | 16 | | 16 | 48 | 16 | | 16 | 82 | 16 | 83 | 16 |
| 17 | | 17 | 84 | 17 | | 17 | | 17 | | 17 | | 17 | | 17 | | 17 | 48 | 17 | | 17 | | 17 | | 17 |
| 18 | | 18 | | 18 | | 18 | | 18 | | 18 | | 18 | | 18 | | 18 | 48 | 18 | | 18 | | 18 | | 18 |
| 19 | | 19 | 84 | 19 | | 19 | | 19 | | 19 | | 19 | | 19 | | 19 | 49 | 19 | | 19 | | 19 | | 19 |
| 20 | | 20 | | 20 | | 20 | | 20 | | 20 | | 20 | | 20 | | 20 | 49 | 20 | | 20 | | 20 | | 20 |
| 21 | | 21 | | 21 | | 21 | | 21 | | 21 | | 21 | | 21 | | 21 | 49 | 21 | | 21 | | 21 | | 21 |
| 22 | | 22 | | 22 | | 22 | | 22 | | 22 | | 22 | | 22 | | 22 | 91 | 22 | | 22 | | 22 | | 22 |
| 23 | | 23 | | 23 | | 23 | | 23 | | 23 | | 23 | | 23 | | 23 | 91 | 23 | | 23 | | 23 | | 23 |
| 24 | | 24 | | 24 | | 24 | | 24 | | 24 | | 24 | | 24 | | 24 | 91 | 24 | | 24 | | 24 | | 24 |
| 25 | | 25 | | 25 | | 25 | | 25 | | 25 | | 25 | | 25 | | 25 | 90 | 25 | | 25 | | 25 | | 25 |
| 26 | | 26 | | 26 | | 26 | 84, 85 | 26 | | 26 | | 26 | | 26 | | 26 | 90 | 26 | | 26 | | 26 | 82, 83 | 26 |
| 27 | | 27 | | 27 | | 27 | 84 | 27 | | 27 | | 27 | | 27 | | 27 | 90 | 27 | | 27 | | 27 | 82 | 27 |
| 28 | | 28 | | 28 | | 28 | 84 | 28 | | 28 | | 28 | | 28 | | 28 | 91 | 28 | | 28 | | 28 | 82 | 28 |
| 29 | | 29 | | 29 | | 29 | 84, 85 | 29 | | 29 | | 29 | | 29 | | 29 | | 29 | | 29 | | 29 | 82, 83 | 29 |
| 30 | | 30 | | 30 | | 30 | 84 | 30 | | 30 | | 30 | | 30 | | 30 | | 30 | | 30 | | 30 | 82 | 30 |
| 31 | | 31 | | 31 | | 31 | | 31 | | 31 | | 31 | | 31 | | 31 | | 31 | | 31 | | 31 | | 31 |
| 32 | | 32 | | 32 | | 32 | | 32 | | 32 | | 32 | | 32 | | 32 | | 32 | | 32 | | 32 | | 32 |
| 33 | | 33 | | 33 | | 33 | | 33 | | 33 | | 33 | | 33 | | 33 | | 33 | | 33 | | 33 | | 33 |
| 34 | 43, 57, 73 | 34 | | 34 | | 34 | | 34 | | 34 | | 34 | | 34 | | 34 | 49 | 34 | | 34 | | 34 | | 34 |
| 35 | 43 | 35 | | 35 | | 35 | | 35 | | 35 | | 35 | | 35 | | 35 | 91 | 35 | | 35 | | 35 | | 35 |
| 36 | 43 | 36 | | 36 | | 36 | | 36 | | 36 | | 36 | | 36 | | 36 | 49 | 36 | 92 | 36 | | 36 | | 36 |
| 37 | 43 | 37 | | 37 | 84 | 37 | 97 | 37 | 48 | 37 | 86 | 37 | 81 | 37 | 81 | 37 | 91 | 37 | 82 | 37 | 82 | 37 | | 37 |
| 38 | 57 | 38 | | 38 | | 38 | | 38 | | 38 | | 38 | | 38 | | 38 | 91 | 38 | | 38 | | 38 | | 38 |
| 39 | 57 | 39 | | 39 | 85 | 39 | | 39 | | 39 | | 39 | 81 | 39 | 81 | 39 | 81 | 39 | 83 | 39 | 83 | 39 | | 39 |
| 40 | 57 | 40 | | 40 | 85 | 40 | | 40 | | 40 | | 40 | 81 | 40 | 81 | 40 | 82 | 40 | 83 | 40 | 83 | 40 | | 40 |
| 41 | 73 | 41 | | 41 | | 41 | | 41 | | 41 | | 41 | | 41 | | 41 | 82 | 41 | | 41 | | 41 | | 41 |
| 42 | 73 | 42 | | 42 | | 42 | | 42 | | 42 | | 42 | | 42 | | 42 | 81 | 42 | | 42 | | 42 | | 42 |
| 43 | 73 | 43 | | 43 | | 43 | | 43 | | 43 | | 43 | | 43 | | 43 | | 43 | | 43 | | 43 | | 43 |
| 44 | | 44 | | 44 | | 44 | | 44 | | 44 | | 44 | | 44 | | 44 | | 44 | | 44 | | 44 | | 44 |
| 45 | | 45 | | 45 | | 45 | | 45 | | 45 | | 45 | | 45 | | 45 | | 45 | | 45 | | 45 | | 45 |
| 46 | | 46 | | 46 | | 46 | | 46 | | 46 | | 46 | | 46 | | 46 | | 46 | | 46 | | 46 | | 46 |
| 47 | | 47 | | 47 | | 47 | | 47 | | 47 | | 47 | | 47 | | 47 | | 47 | | 47 | | 47 | | 47 |

60

PIN LOCATOR - ROW D

| LOC | 14 | LOC | 15 | LOC | 16 | LOC | 17 | LOC | 18 | LOC | 19 | LOC | 20 | LOC | 21 | LOC | 22 | LOC | 23 | LOC | 24 | LOC | 25 | LOC |
|-----|------------|-----|------|-----|------|-----|--------|-----|------|-----|--------|-----|------|-----|------|-----|------|-----|------|-----|------|-----|--------|-----|
| PIN | PAGE | PIN | PAGE | PIN | PAGE | PIN | PAGE | PIN | PAGE | PIN | PAGE | PIN | PAGE | PIN | PAGE | PIN | PAGE | PIN | PAGE | PIN | PAGE | PIN | PAGE | |
| 1 | | 1 | | 1 | 85 | 1 | 84 | 1 | 86 | 1 | 81 | 1 | 81 | 1 | 81 | 1 | 82 | 1 | 83 | 1 | 83 | 1 | 82 | 1 |
| 2 | | 2 | 84 | 2 | 85 | 2 | 84 | 2 | | 2 | 81 | 2 | | 2 | | 2 | | 2 | 83 | 2 | 83 | 2 | 82 | 2 |
| 3 | 84 | 3 | | 3 | 85 | 3 | 84 | 3 | | 3 | 81 | 3 | | 3 | | 3 | | 3 | 83 | 3 | 83 | 3 | 82 | 3 |
| 4 | | 4 | | 4 | 84 | 4 | 91 | 4 | | 4 | 59 | 4 | | 4 | | 4 | | 4 | 82 | 4 | 82 | 4 | 93 | 4 |
| 5 | | 5 | | 5 | | 5 | | 5 | | 5 | 92 | 5 | | 5 | | 5 | 91 | 5 | | 5 | | 5 | 82 | 5 |
| 6 | | 6 | | 6 | | 6 | | 6 | | 6 | | 6 | | 6 | | 6 | | 6 | | 6 | | 6 | 82 | 6 |
| 7 | | 7 | 84 | 7 | | 7 | | 7 | 86 | 7 | 48 | 7 | | 7 | | 7 | | 7 | | 7 | | 7 | | 7 |
| 8 | | 8 | 84 | 8 | | 8 | | 8 | 86 | 8 | 59 | 8 | | 8 | | 8 | | 8 | | 8 | | 8 | 93 | 8 |
| 9 | | 9 | 84 | 9 | | 9 | | 9 | 86 | 9 | 92, 59 | 9 | | 9 | | 9 | | 9 | | 9 | | 9 | | 9 |
| 10 | | 10 | | 10 | | 10 | | 10 | | 10 | 92 | 10 | | 10 | | 10 | | 10 | | 10 | | 10 | 82 | 10 |
| 11 | | 11 | 84 | 11 | | 11 | | 11 | | 11 | 92 | 11 | | 11 | | 11 | | 11 | | 11 | | 11 | | 11 |
| 12 | | 12 | 84 | 12 | | 12 | | 12 | | 12 | | 12 | | 12 | | 12 | 90 | 12 | | 12 | | 12 | | 12 |
| 13 | | 13 | 84 | 13 | | 13 | | 13 | 86 | 13 | 48 | 13 | | 13 | | 13 | | 13 | | 13 | | 13 | | 13 |
| 14 | | 14 | | 14 | | 14 | | 14 | | 14 | 48 | 14 | | 14 | | 14 | | 14 | | 14 | 55 | 14 | | 14 |
| 15 | | 15 | 84 | 15 | | 15 | | 15 | | 15 | 48, 59 | 15 | | 15 | | 15 | | 15 | | 15 | 55 | 15 | 93 | 15 |
| 16 | | 16 | 84 | 16 | | 16 | 85 | 16 | | 16 | 81 | 16 | | 16 | | 16 | 48 | 16 | | 16 | 82 | 16 | 83 | 16 |
| 17 | | 17 | 84 | 17 | | 17 | | 17 | | 17 | | 17 | | 17 | | 17 | 48 | 17 | | 17 | | 17 | | 17 |
| 18 | | 18 | | 18 | | 18 | | 18 | | 18 | | 18 | | 18 | | 18 | 48 | 18 | | 18 | | 18 | | 18 |
| 19 | | 19 | 84 | 19 | | 19 | | 19 | | 19 | | 19 | | 19 | | 19 | 49 | 19 | | 19 | | 19 | | 19 |
| 20 | | 20 | | 20 | | 20 | | 20 | | 20 | | 20 | | 20 | | 20 | 49 | 20 | | 20 | | 20 | | 20 |
| 21 | | 21 | | 21 | | 21 | | 21 | | 21 | | 21 | | 21 | | 21 | 49 | 21 | | 21 | | 21 | | 21 |
| 22 | | 22 | | 22 | | 22 | | 22 | | 22 | | 22 | | 22 | | 22 | 91 | 22 | | 22 | | 22 | | 22 |
| 23 | | 23 | | 23 | | 23 | | 23 | | 23 | | 23 | | 23 | | 23 | 91 | 23 | | 23 | | 23 | | 23 |
| 24 | | 24 | | 24 | | 24 | | 24 | | 24 | | 24 | | 24 | | 24 | 91 | 24 | | 24 | | 24 | | 24 |
| 25 | | 25 | | 25 | | 25 | | 25 | | 25 | | 25 | | 25 | | 25 | 90 | 25 | | 25 | | 25 | | 25 |
| 26 | | 26 | | 26 | | 26 | 84, 85 | 26 | | 26 | | 26 | | 26 | | 26 | 90 | 26 | | 26 | | 26 | 82, 83 | 26 |
| 27 | | 27 | | 27 | | 27 | 84 | 27 | | 27 | | 27 | | 27 | | 27 | 90 | 27 | | 27 | | 27 | 82 | 27 |
| 28 | | 28 | | 28 | | 28 | 84 | 28 | | 28 | | 28 | | 28 | | 28 | 91 | 28 | | 28 | | 28 | 82 | 28 |
| 29 | | 29 | | 29 | | 29 | 84, 85 | 29 | | 29 | | 29 | | 29 | | 29 | | 29 | | 29 | | 29 | 82, 83 | 29 |
| 30 | | 30 | | 30 | | 30 | 84 | 30 | | 30 | | 30 | | 30 | | 30 | | 30 | | 30 | | 30 | 82 | 30 |
| 31 | | 31 | | 31 | | 31 | | 31 | | 31 | | 31 | | 31 | | 31 | | 31 | | 31 | | 31 | | 31 |
| 32 | | 32 | | 32 | | 32 | | 32 | | 32 | | 32 | | 32 | | 32 | | 32 | | 32 | | 32 | | 32 |
| 33 | | 33 | | 33 | | 33 | | 33 | | 33 | | 33 | | 33 | | 33 | | 33 | | 33 | | 33 | | 33 |
| 34 | 43, 57, 73 | 34 | | 34 | | 34 | | 34 | | 34 | | 34 | | 34 | | 34 | 49 | 34 | | 34 | | 34 | | 34 |
| 35 | 43 | 35 | | 35 | | 35 | | 35 | | 35 | | 35 | | 35 | | 35 | 91 | 35 | | 35 | | 35 | | 35 |
| 36 | 43 | 36 | | 36 | | 36 | | 36 | | 36 | | 36 | | 36 | | 36 | 49 | 36 | 92 | 36 | | 36 | | 36 |
| 37 | 43 | 37 | | 37 | 84 | 37 | 97 | 37 | 48 | 37 | 86 | 37 | 81 | 37 | 81 | 37 | 91 | 37 | 82 | 37 | 82 | 37 | | 37 |
| 38 | 57 | 38 | | 38 | | 38 | | 38 | | 38 | | 38 | | 38 | | 38 | 91 | 38 | | 38 | | 38 | | 38 |
| 39 | 57 | 39 | | 39 | 85 | 39 | | 39 | | 39 | | 39 | 81 | 39 | 81 | 39 | 81 | 39 | 83 | 39 | 83 | 39 | | 39 |
| 40 | 57 | 40 | | 40 | 85 | 40 | | 40 | | 40 | | 40 | 81 | 40 | 81 | 40 | 82 | 40 | 83 | 40 | 83 | 40 | | 40 |
| 41 | 73 | 41 | | 41 | | 41 | | 41 | | 41 | | 41 | | 41 | | 41 | 82 | 41 | | 41 | | 41 | | 41 |
| 42 | 73 | 42 | | 42 | | 42 | | 42 | | 42 | | 42 | | 42 | | 42 | 81 | 42 | | 42 | | 42 | | 42 |
| 43 | 73 | 43 | | 43 | | 43 | | 43 | | 43 | | 43 | | 43 | | 43 | | 43 | | 43 | | 43 | | 43 |
| 44 | | 44 | | 44 | | 44 | | 44 | | 44 | | 44 | | 44 | | 44 | | 44 | | 44 | | 44 | | 44 |
| 45 | | 45 | | 45 | | 45 | | 45 | | 45 | | 45 | | 45 | | 45 | | 45 | | 45 | | 45 | | 45 |
| 46 | | 46 | | 46 | | 46 | | 46 | | 46 | | 46 | | 46 | | 46 | | 46 | | 46 | | 46 | | 46 |
| 47 | | 47 | | 47 | | 47 | | 47 | | 47 | | 47 | | 47 | | 47 | | 47 | | 47 | | 47 | | 47 |

161

PIN LOCATOR - ROW E

| LOC | 1 | LOC | 2 | LOC | 3 | LOC | 4 | LOC | 5 | LOC | 6 | LOC | 7 | LOC | 8 | LOC | 9 | LOC | 10 | LOC | 11 | LOC | 12 | LOC | 13 |
|-----|------|-----|------|-----|------|-----|------|-----|------|-----|------|-----|--------|-----|--------|-----|------|-----|------|-----|--------|-----|------|-----|------|
| PIN | PAGE | PIN | PAGE | PIN | PAGE | PIN | PAGE | PIN | PAGE | PIN | PAGE | PIN | PAGE | PIN | PAGE | PIN | PAGE | PIN | PAGE | PIN | PAGE | PIN | PAGE | PIN | PAGE |
| 1 | | 1 | | 1 | | 1 | | 1 | 50 | 1 | 32 | 1 | 18 | 1 | 26 | 1 | 97 | 1 | 31 | 1 | 21 | 1 | 39 | 1 | 30 |
| 2 | | 2 | | 2 | | 2 | | 2 | | 2 | | 2 | | 2 | | 2 | 26 | 2 | | 2 | | 2 | | 2 | |
| 3 | | 3 | | 3 | | 3 | | 3 | | 3 | | 3 | | 3 | | 3 | | 3 | | 3 | | 3 | | 3 | |
| 4 | | 4 | | 4 | | 4 | | 4 | | 4 | | 4 | | 4 | | 4 | | 4 | | 4 | | 4 | | 4 | |
| 5 | | 5 | | 5 | | 5 | | 5 | | 5 | | 5 | | 5 | | 5 | | 5 | | 5 | | 5 | | 5 | |
| 6 | | 6 | | 6 | | 6 | | 6 | | 6 | | 6 | | 6 | | 6 | | 6 | | 6 | | 6 | | 6 | |
| 7 | | 7 | | 7 | | 7 | | 7 | | 7 | | 7 | | 7 | | 7 | 26 | 7 | | 7 | | 7 | | 7 | |
| 8 | | 8 | | 8 | | 8 | | 8 | 67 | 8 | 33 | 8 | 48 | 8 | | 8 | 26 | 8 | | 8 | | 8 | | 8 | |
| 9 | | 9 | | 9 | | 9 | | 9 | 67 | 9 | 33 | 9 | 48 | 9 | | 9 | 26 | 9 | | 9 | | 9 | | 9 | |
| 10 | | 10 | | 10 | | 10 | | 10 | 30 | 10 | 48 | 10 | 48 | 10 | | 10 | | 10 | | 10 | | 10 | | 10 | |
| 11 | | 11 | | 11 | | 11 | | 11 | 30 | 11 | 48 | 11 | 48, 49 | 11 | | 11 | 31 | 11 | | 11 | 25, 21 | 11 | 21 | 11 | |
| 12 | | 12 | | 12 | | 12 | | 12 | 50 | 12 | 19 | 12 | 49 | 12 | | 12 | 31 | 12 | | 12 | | 12 | 25 | 12 | |
| 13 | | 13 | | 13 | | 13 | | 13 | 50 | 13 | 19 | 13 | 49 | 13 | | 13 | 31 | 13 | | 13 | | 13 | 25 | 13 | |
| 14 | | 14 | | 14 | | 14 | | 14 | 21 | 14 | 33 | 14 | 49 | 14 | | 14 | | 14 | | 14 | | 14 | 25 | 14 | |
| 15 | | 15 | | 15 | | 15 | | 15 | 21 | 15 | 33 | 15 | 18 | 15 | | 15 | 19 | 15 | | 15 | | 15 | 21 | 15 | |
| 16 | | 16 | | 16 | | 16 | | 16 | | 16 | | 16 | | 16 | | 16 | | 16 | | 16 | | 16 | | 16 | |
| 17 | | 17 | | 17 | | 17 | | 17 | | 17 | | 17 | | 17 | | 17 | | 17 | | 17 | | 17 | | 17 | |
| 18 | | 18 | | 18 | | 18 | | 18 | | 18 | | 18 | | 18 | | 18 | | 18 | | 18 | | 18 | | 18 | |
| 19 | | 19 | | 19 | | 19 | | 19 | | 19 | 39 | 19 | | 19 | | 19 | 26 | 19 | | 19 | | 19 | | 19 | |
| 20 | | 20 | | 20 | | 20 | | 20 | | 20 | | 20 | | 20 | | 20 | | 20 | | 20 | | 20 | | 20 | |
| 21 | | 21 | | 21 | | 21 | | 21 | | 21 | | 21 | | 21 | | 21 | | 21 | | 21 | | 21 | | 21 | |
| 22 | | 22 | | 22 | | 22 | | 22 | 30 | 22 | 60 | 22 | | 22 | | 22 | | 22 | | 22 | | 22 | | 22 | |
| 23 | | 23 | | 23 | | 23 | | 23 | | 23 | 60 | 23 | | 23 | | 23 | 19 | 23 | | 23 | | 23 | | 23 | |
| 24 | | 24 | | 24 | | 24 | | 24 | | 24 | 60 | 24 | | 24 | | 24 | | 24 | | 24 | | 24 | | 24 | |
| 25 | | 25 | | 25 | | 25 | | 25 | | 25 | 49 | 25 | | 25 | | 25 | | 25 | | 25 | | 25 | | 25 | |
| 26 | | 26 | | 26 | | 26 | | 26 | | 26 | 49 | 26 | | 26 | | 26 | | 26 | | 26 | | 26 | | 26 | |
| 27 | | 27 | | 27 | | 27 | | 27 | | 27 | 49 | 27 | | 27 | | 27 | | 27 | | 27 | | 27 | | 27 | |
| 28 | | 28 | | 28 | | 28 | | 28 | | 28 | 60 | 28 | 33 | 28 | 22 | 28 | | 28 | | 28 | 25 | 28 | | 28 | 25 |
| 29 | | 29 | | 29 | | 29 | | 29 | | 29 | 60 | 29 | | 29 | | 29 | | 29 | | 29 | | 29 | | 29 | |
| 30 | | 30 | | 30 | | 30 | | 30 | | 30 | 60 | 30 | | 30 | | 30 | | 30 | | 30 | | 30 | | 30 | |
| 31 | | 31 | | 31 | | 31 | | 31 | 77 | 31 | 33 | 31 | | 31 | 22, 49 | 31 | | 31 | | 31 | | 31 | | 31 | |
| 32 | | 32 | | 32 | | 32 | | 32 | 77 | 32 | 33 | 32 | | 32 | 49 | 32 | | 32 | | 32 | | 32 | | 32 | |
| 33 | | 33 | | 33 | | 33 | | 33 | | 33 | 97 | 33 | | 33 | | 33 | | 33 | | 33 | | 33 | | 33 | |
| 34 | | 34 | | 34 | | 34 | 50 | 34 | 77 | 34 | 33 | 34 | | 34 | | 34 | | 34 | | 34 | | 34 | | 34 | |
| 35 | | 35 | | 35 | | 35 | | 35 | 26 | 35 | 33 | 35 | 18 | 35 | 26 | 35 | | 35 | | 35 | 21 | 35 | | 35 | 30 |
| 36 | | 36 | | 36 | | 36 | | 36 | 77 | 36 | 33 | 36 | | 36 | | 36 | | 36 | | 36 | | 36 | | 36 | |
| 37 | | 37 | | 37 | | 37 | | 37 | | 37 | 97 | 37 | | 37 | | 37 | | 37 | | 37 | | 37 | | 37 | |
| 38 | | 38 | | 38 | | 38 | | 38 | 26 | 38 | 33 | 38 | | 38 | | 38 | | 38 | | 38 | | 38 | | 38 | |
| 39 | | 39 | | 39 | | 39 | | 39 | | 39 | | 39 | | 39 | | 39 | | 39 | | 39 | | 39 | | 39 | |
| 40 | | 40 | | 40 | | 40 | | 40 | | 40 | | 40 | | 40 | | 40 | | 40 | | 40 | | 40 | | 40 | |
| 41 | | 41 | | 41 | | 41 | | 41 | | 41 | | 41 | | 41 | | 41 | | 41 | | 41 | | 41 | | 41 | |
| 42 | | 42 | | 42 | | 42 | | 42 | | 42 | | 42 | | 42 | | 42 | | 42 | | 42 | | 42 | | 42 | |
| 43 | | 43 | | 43 | | 43 | | 43 | 30 | 43 | 32 | 43 | | 43 | | 43 | | 43 | | 43 | | 43 | | 43 | |
| 44 | | 44 | | 44 | | 44 | | 44 | | 44 | | 44 | | 44 | | 44 | | 44 | | 44 | | 44 | | 44 | |
| 45 | | 45 | | 45 | | 45 | | 45 | | 45 | | 45 | | 45 | | 45 | | 45 | | 45 | | 45 | | 45 | |
| 46 | | 46 | | 46 | | 46 | | 46 | | 46 | | 46 | | 46 | | 46 | | 46 | | 46 | | 46 | | 46 | |
| 47 | | 47 | | 47 | | 47 | | 47 | | 47 | | 47 | | 47 | | 47 | | 47 | | 47 | | 47 | | 47 | |

PIN LOCATOR - ROW E

| LOC | 1 | LOC | 2 | LOC | 3 | LOC | 4 | LOC | 5 | LOC | 6 | LOC | 7 | LOC | 8 | LOC | 9 | LOC | 10 | LOC | 11 | LOC | 12 | LOC | 13 |
|-----|------|-----|------|-----|------|-----|------------|-----|------|-----|--------|-----|--------|-----|------|-----|------|-----|--------|-----|------|-----|------|-----|------|
| PIN | PAGE | PIN | PAGE | PIN | PAGE | PIN | PAGE | PIN | PAGE | PIN | PAGE | PIN | PAGE | PIN | PAGE | PIN | PAGE | PIN | PAGE | PIN | PAGE | PIN | PAGE | PIN | PAGE |
| 1 | | 1 | | 1 | | 1 | | 1 | 50 | 1 | 32 | 1 | 18 | 1 | 26 | 1 | 97 | 1 | 31 | 1 | 21 | 1 | 39 | 1 | 30 |
| 2 | | 2 | | 2 | | 2 | | 2 | | 2 | | 2 | | 2 | | 2 | 26 | 2 | | 2 | | 2 | 21 | 2 | |
| 3 | | 3 | | 3 | | 3 | | 3 | | 3 | | 3 | | 3 | | 3 | | 3 | | 3 | | 3 | | 3 | |
| 4 | | 4 | | 4 | | 4 | | 4 | | 4 | | 4 | | 4 | | 4 | | 4 | | 4 | | 4 | | 4 | |
| 5 | | 5 | | 5 | | 5 | 60 | 5 | | 5 | | 5 | | 5 | | 5 | | 5 | | 5 | | 5 | | 5 | |
| 6 | | 6 | | 6 | | 6 | | 6 | | 6 | | 6 | | 6 | | 6 | | 6 | | 6 | | 6 | | 6 | |
| 7 | | 7 | | 7 | | 7 | | 7 | | 7 | | 7 | | 7 | | 7 | 26 | 7 | | 7 | | 7 | 21 | 7 | |
| 8 | | 8 | | 8 | | 8 | 67 | 8 | 33 | 8 | 48 | 8 | | 8 | 26 | 8 | | 8 | | 8 | | 8 | 21 | 8 | |
| 9 | | 9 | | 9 | | 9 | 67 | 9 | 33 | 9 | 48 | 9 | | 9 | 26 | 9 | | 9 | | 9 | | 9 | 21 | 9 | |
| 10 | | 10 | | 10 | | 10 | 30 | 10 | 48 | 10 | 48 | 10 | | 10 | | 10 | | 10 | | 10 | | 10 | | 10 | |
| 11 | | 11 | | 11 | | 11 | 30 | 11 | 48 | 11 | 48, 49 | 11 | | 11 | 31 | 11 | | 11 | 25, 21 | 11 | | 11 | 21 | 11 | |
| 12 | | 12 | | 12 | | 12 | 50 | 12 | 19 | 12 | 49 | 12 | | 12 | 31 | 12 | | 12 | 25 | 12 | | 12 | 21 | 12 | |
| 13 | | 13 | | 13 | | 13 | 50 | 13 | 19 | 13 | 49 | 13 | | 13 | 31 | 13 | | 13 | 25 | 13 | | 13 | 21 | 13 | |
| 14 | | 14 | | 14 | | 14 | 21 | 14 | 33 | 14 | 49 | 14 | | 14 | | 14 | | 14 | 25 | 14 | | 14 | | 14 | |
| 15 | | 15 | | 15 | | 15 | 21 | 15 | 33 | 15 | 18 | 15 | | 15 | 19 | 15 | | 15 | 21 | 15 | | 15 | 21 | 15 | |
| 16 | | 16 | | 16 | | 16 | 59 | 16 | | 16 | | 16 | | 16 | | 16 | | 16 | | 16 | | 16 | 21 | 16 | |
| 17 | | 17 | | 17 | | 17 | | 17 | | 17 | | 17 | | 17 | | 17 | | 17 | | 17 | | 17 | 21 | 17 | |
| 18 | | 18 | | 18 | | 18 | | 18 | | 18 | | 18 | | 18 | | 18 | | 18 | | 18 | | 18 | 22 | 18 | |
| 19 | | 19 | | 19 | | 19 | | 19 | 39 | 19 | | 19 | | 19 | 26 | 19 | | 19 | | 19 | | 19 | | 19 | |
| 20 | | 20 | | 20 | | 20 | | 20 | | 20 | | 20 | | 20 | | 20 | | 20 | | 20 | | 20 | | 20 | |
| 21 | | 21 | | 21 | | 21 | | 21 | | 21 | | 21 | | 21 | | 21 | | 21 | | 21 | | 21 | | 21 | |
| 22 | | 22 | | 22 | | 22 | 30 | 22 | 60 | 22 | | 22 | | 22 | | 22 | | 22 | | 22 | | 22 | | 22 | |
| 23 | | 23 | | 23 | | 23 | | 23 | 60 | 23 | | 23 | | 23 | 19 | 23 | | 23 | | 23 | | 23 | 21 | 23 | |
| 24 | | 24 | | 24 | | 24 | | 24 | 60 | 24 | | 24 | | 24 | | 24 | | 24 | | 24 | | 24 | | 24 | |
| 25 | | 25 | | 25 | | 25 | | 25 | 49 | 25 | | 25 | | 25 | | 25 | | 25 | | 25 | | 25 | | 25 | |
| 26 | | 26 | | 26 | | 26 | | 26 | 49 | 26 | | 26 | | 26 | | 26 | | 26 | | 26 | | 26 | | 26 | |
| 27 | | 27 | | 27 | | 27 | | 27 | 49 | 27 | | 27 | | 27 | | 27 | | 27 | | 27 | | 27 | | 27 | |
| 28 | | 28 | | 28 | | 28 | 50 | 28 | 60 | 28 | 33 | 28 | 22 | 28 | | 28 | | 28 | 25 | 28 | | 28 | | 28 | 25 |
| 29 | | 29 | | 29 | | 29 | | 29 | 60 | 29 | | 29 | | 29 | | 29 | | 29 | | 29 | | 29 | | 29 | |
| 30 | | 30 | | 30 | | 30 | | 30 | 60 | 30 | | 30 | | 30 | | 30 | | 30 | | 30 | | 30 | | 30 | |
| 31 | | 31 | | 31 | | 31 | 77 | 31 | 33 | 31 | | 31 | 22, 49 | 31 | | 31 | | 31 | | 31 | | 31 | | 31 | |
| 32 | | 32 | | 32 | | 32 | 77 | 32 | 33 | 32 | | 32 | 49 | 32 | | 32 | | 32 | | 32 | | 32 | | 32 | |
| 33 | | 33 | | 33 | | 33 | | 33 | 97 | 33 | | 33 | | 33 | | 33 | | 33 | | 33 | | 33 | | 33 | |
| 34 | | 34 | | 34 | | 34 | 50, 60, 59 | 34 | 77 | 34 | 33 | 34 | | 34 | | 34 | | 34 | | 34 | | 34 | | 34 | |
| 35 | | 35 | | 35 | | 35 | 50 | 35 | 26 | 35 | 33 | 35 | 18 | 35 | 26 | 35 | | 35 | 21 | 35 | | 35 | | 35 | 30 |
| 36 | | 36 | | 36 | | 36 | | 36 | 77 | 36 | 33 | 36 | | 36 | | 36 | | 36 | | 36 | | 36 | | 36 | |
| 37 | | 37 | | 37 | | 37 | | 37 | 97 | 37 | | 37 | | 37 | | 37 | | 37 | | 37 | | 37 | | 37 | |
| 38 | | 38 | | 38 | | 38 | 60 | 38 | 26 | 38 | 33 | 38 | | 38 | | 38 | | 38 | | 38 | | 38 | | 38 | |
| 39 | | 39 | | 39 | | 39 | | 39 | | 39 | | 39 | | 39 | | 39 | | 39 | | 39 | | 39 | | 39 | |
| 40 | | 40 | | 40 | | 40 | | 40 | | 40 | | 40 | | 40 | | 40 | | 40 | | 40 | | 40 | | 40 | |
| 41 | | 41 | | 41 | | 41 | 59 | 41 | | 41 | | 41 | | 41 | | 41 | | 41 | | 41 | | 41 | | 41 | |
| 42 | | 42 | | 42 | | 42 | | 42 | | 42 | | 42 | | 42 | | 42 | | 42 | | 42 | | 42 | | 42 | |
| 43 | | 43 | | 43 | | 43 | | 43 | 30 | 43 | 32 | 43 | | 43 | | 43 | | 43 | | 43 | | 43 | | 43 | |
| 44 | | 44 | | 44 | | 44 | | 44 | | 44 | | 44 | | 44 | | 44 | | 44 | | 44 | | 44 | | 44 | |
| 45 | | 45 | | 45 | | 45 | | 45 | | 45 | | 45 | | 45 | | 45 | | 45 | | 45 | | 45 | | 45 | |
| 46 | | 46 | | 46 | | 46 | | 46 | | 46 | | 46 | | 46 | | 46 | | 46 | | 46 | | 46 | | 46 | |
| 47 | | 47 | | 47 | | 47 | | 47 | | 47 | | 47 | | 47 | | 47 | | 47 | | 47 | | 47 | | 47 | |

163

PIN LOCATOR - ROW E

| LOC | 1 | LOC | 2 | LOC | 3 | LOC | 4 | LOC | 5 | LOC | 6 | LOC | 7 | LOC | 8 | LOC | 9 | LOC | 10 | LOC | 11 | LOC | 12 | LOC | 13 |
|-----|------|-----|------|-----|------|-----|------|-----|------------|-----|------|-----|--------|-----|--------|-----|------|-----|------|-----|--------|-----|------|-----|------|
| PIN | PAGE | PIN | PAGE | PIN | PAGE | PIN | PAGE | PIN | PAGE | PIN | PAGE | PIN | PAGE | PIN | PAGE | PIN | PAGE | PIN | PAGE | PIN | PAGE | PIN | PAGE | PIN | PAGE |
| 1 | | 1 | | 1 | | 1 | | 1 | 50 | 1 | 32 | 1 | 18 | 1 | 26 | 1 | 97 | 1 | 31 | 1 | 21 | 1 | 39 | 1 | 30 |
| 2 | | 2 | | 2 | | 2 | | 2 | ↓ | 2 | ↓ | 2 | ↓ | 2 | ↓ | 2 | 26 | 2 | ↓ | 2 | ↓ | 2 | ↓ | 2 | ↓ |
| 3 | | 3 | | 3 | | 3 | | 3 | ↓ | 3 | ↓ | 3 | ↓ | 3 | ↓ | 3 | ↓ | 3 | ↓ | 3 | ↓ | 3 | ↓ | 3 | ↓ |
| 4 | | 4 | | 4 | | 4 | | 4 | ↓ | 4 | ↓ | 4 | ↓ | 4 | ↓ | 4 | ↓ | 4 | ↓ | 4 | ↓ | 4 | ↓ | 4 | ↓ |
| 5 | | 5 | | 5 | | 5 | | 5 | 60 | 5 | ↓ | 5 | ↓ | 5 | ↓ | 5 | ↓ | 5 | ↓ | 5 | ↓ | 5 | ↓ | 5 | ↓ |
| 6 | | 6 | | 6 | | 6 | | 6 | ↓ | 6 | ↓ | 6 | ↓ | 6 | ↓ | 6 | ↓ | 6 | ↓ | 6 | ↓ | 6 | ↓ | 6 | ↓ |
| 7 | | 7 | | 7 | | 7 | | 7 | ↓ | 7 | ↓ | 7 | ↓ | 7 | ↓ | 7 | 26 | 7 | ↓ | 7 | ↓ | 7 | ↓ | 7 | ↓ |
| 8 | | 8 | | 8 | | 8 | | 8 | 67 | 8 | 33 | 8 | 48 | 8 | ↓ | 8 | 26 | 8 | ↓ | 8 | ↓ | 8 | ↓ | 8 | ↓ |
| 9 | | 9 | | 9 | | 9 | | 9 | 67 | 9 | 33 | 9 | 48 | 9 | ↓ | 9 | 26 | 9 | ↓ | 9 | ↓ | 9 | ↓ | 9 | ↓ |
| 10 | | 10 | | 10 | | 10 | | 10 | 30 | 10 | 48 | 10 | 48 | 10 | ↓ | 10 | 33 | 10 | ↓ | 10 | ↓ | 10 | ↓ | 10 | ↓ |
| 11 | | 11 | | 11 | | 11 | | 11 | 30 | 11 | 48 | 11 | 48, 49 | 11 | ↓ | 11 | 31 | 11 | ↓ | 11 | 25, 21 | 11 | ↓ | 11 | ↓ |
| 12 | | 12 | | 12 | | 12 | | 12 | 50 | 12 | 19 | 12 | 49 | 12 | ↓ | 12 | 31 | 12 | ↓ | 12 | ↓ | 12 | ↓ | 12 | ↓ |
| 13 | | 13 | | 13 | | 13 | | 13 | 50 | 13 | 19 | 13 | 49 | 13 | ↓ | 13 | 31 | 13 | ↓ | 13 | ↓ | 13 | ↓ | 13 | ↓ |
| 14 | | 14 | | 14 | | 14 | | 14 | 21 | 14 | 33 | 14 | 49 | 14 | ↓ | 14 | 33 | 14 | ↓ | 14 | ↓ | 14 | ↓ | 14 | ↓ |
| 15 | | 15 | | 15 | | 15 | | 15 | 21 | 15 | 33 | 15 | 18 | 15 | ↓ | 15 | 19 | 15 | ↓ | 15 | ↓ | 15 | ↓ | 15 | ↓ |
| 16 | | 16 | | 16 | | 16 | | 16 | 59 | 16 | ↓ | 16 | ↓ | 16 | ↓ | 16 | ↓ | 16 | ↓ | 16 | ↓ | 16 | ↓ | 16 | ↓ |
| 17 | | 17 | | 17 | | 17 | | 17 | ↓ | 17 | ↓ | 17 | ↓ | 17 | ↓ | 17 | ↓ | 17 | ↓ | 17 | ↓ | 17 | ↓ | 17 | ↓ |
| 18 | | 18 | | 18 | | 18 | | 18 | ↓ | 18 | ↓ | 18 | ↓ | 18 | ↓ | 18 | ↓ | 18 | ↓ | 18 | ↓ | 18 | ↓ | 18 | ↓ |
| 19 | | 19 | | 19 | | 19 | | 19 | ↓ | 19 | 39 | 19 | ↓ | 19 | ↓ | 19 | 26 | 19 | ↓ | 19 | ↓ | 19 | ↓ | 19 | ↓ |
| 20 | | 20 | | 20 | | 20 | | 20 | ↓ | 20 | ↓ | 20 | ↓ | 20 | ↓ | 20 | ↓ | 20 | ↓ | 20 | ↓ | 20 | ↓ | 20 | ↓ |
| 21 | | 21 | | 21 | | 21 | | 21 | ↓ | 21 | ↓ | 21 | ↓ | 21 | ↓ | 21 | ↓ | 21 | ↓ | 21 | ↓ | 21 | ↓ | 21 | ↓ |
| 22 | | 22 | | 22 | | 22 | | 22 | 30 | 22 | 60 | 22 | ↓ | 22 | ↓ | 22 | ↓ | 22 | ↓ | 22 | ↓ | 22 | ↓ | 22 | ↓ |
| 23 | | 23 | | 23 | | 23 | | 23 | ↓ | 23 | 60 | 23 | ↓ | 23 | ↓ | 23 | 19 | 23 | ↓ | 23 | ↓ | 23 | ↓ | 23 | ↓ |
| 24 | | 24 | | 24 | | 24 | | 24 | ↓ | 24 | 60 | 24 | ↓ | 24 | ↓ | 24 | ↓ | 24 | ↓ | 24 | ↓ | 24 | ↓ | 24 | ↓ |
| 25 | | 25 | | 25 | | 25 | | 25 | ↓ | 25 | 49 | 25 | ↓ | 25 | ↓ | 25 | ↓ | 25 | ↓ | 25 | ↓ | 25 | ↓ | 25 | ↓ |
| 26 | | 26 | | 26 | | 26 | | 26 | ↓ | 26 | 49 | 26 | ↓ | 26 | ↓ | 26 | ↓ | 26 | ↓ | 26 | ↓ | 26 | ↓ | 26 | ↓ |
| 27 | | 27 | | 27 | | 27 | | 27 | ↓ | 27 | 49 | 27 | ↓ | 27 | ↓ | 27 | ↓ | 27 | ↓ | 27 | ↓ | 27 | ↓ | 27 | ↓ |
| 28 | | 28 | | 28 | | 28 | | 28 | 50 | 28 | 60 | 28 | 33 | 28 | 22 | 28 | ↓ | 28 | ↓ | 28 | 25 | 28 | ↓ | 28 | 25 |
| 29 | | 29 | | 29 | | 29 | | 29 | ↓ | 29 | 60 | 29 | ↓ | 29 | ↓ | 29 | ↓ | 29 | ↓ | 29 | ↓ | 29 | ↓ | 29 | ↓ |
| 30 | | 30 | | 30 | | 30 | | 30 | ↓ | 30 | 60 | 30 | ↓ | 30 | ↓ | 30 | ↓ | 30 | ↓ | 30 | ↓ | 30 | ↓ | 30 | ↓ |
| 31 | | 31 | | 31 | | 31 | | 31 | 77 | 31 | 33 | 31 | ↓ | 31 | 22, 49 | 31 | ↓ | 31 | ↓ | 31 | ↓ | 31 | ↓ | 31 | ↓ |
| 32 | | 32 | | 32 | | 32 | | 32 | 77 | 32 | 33 | 32 | ↓ | 32 | 49 | 32 | ↓ | 32 | ↓ | 32 | ↓ | 32 | ↓ | 32 | ↓ |
| 33 | | 33 | | 33 | | 33 | | 33 | ↓ | 33 | 97 | 33 | ↓ | 33 | ↓ | 33 | ↓ | 33 | ↓ | 33 | ↓ | 33 | ↓ | 33 | ↓ |
| 34 | | 34 | | 34 | | 34 | | 34 | 50, 60, 59 | 34 | 77 | 34 | 33 | 34 | ↓ | 34 | ↓ | 34 | ↓ | 34 | ↓ | 34 | ↓ | 34 | ↓ |
| 35 | | 35 | | 35 | | 35 | | 35 | 50 | 35 | 26 | 35 | 18 | 35 | 26 | 35 | ↓ | 35 | ↓ | 35 | 21 | 35 | ↓ | 35 | 30 |
| 36 | | 36 | | 36 | | 36 | | 36 | ↓ | 36 | 77 | 36 | ↓ | 36 | ↓ | 36 | ↓ | 36 | ↓ | 36 | ↓ | 36 | ↓ | 36 | ↓ |
| 37 | | 37 | | 37 | | 37 | | 37 | ↓ | 37 | 97 | 37 | ↓ | 37 | ↓ | 37 | ↓ | 37 | ↓ | 37 | ↓ | 37 | ↓ | 37 | ↓ |
| 38 | | 38 | | 38 | | 38 | | 38 | 60 | 38 | 26 | 38 | 33 | 38 | ↓ | 38 | ↓ | 38 | ↓ | 38 | ↓ | 38 | ↓ | 38 | ↓ |
| 39 | | 39 | | 39 | | 39 | | 39 | ↓ | 39 | ↓ | 39 | ↓ | 39 | ↓ | 39 | ↓ | 39 | ↓ | 39 | ↓ | 39 | ↓ | 39 | ↓ |
| 40 | | 40 | | 40 | | 40 | | 40 | ↓ | 40 | ↓ | 40 | ↓ | 40 | ↓ | 40 | ↓ | 40 | ↓ | 40 | ↓ | 40 | ↓ | 40 | ↓ |
| 41 | | 41 | | 41 | | 41 | | 41 | 59 | 41 | ↓ | 41 | ↓ | 41 | ↓ | 41 | ↓ | 41 | ↓ | 41 | ↓ | 41 | ↓ | 41 | ↓ |
| 42 | | 42 | | 42 | | 42 | | 42 | ↓ | 42 | ↓ | 42 | ↓ | 42 | ↓ | 42 | ↓ | 42 | ↓ | 42 | ↓ | 42 | ↓ | 42 | ↓ |
| 43 | | 43 | | 43 | | 43 | | 43 | ↓ | 43 | 30 | 43 | 32 | 43 | ↓ | 43 | ↓ | 43 | ↓ | 43 | ↓ | 43 | ↓ | 43 | ↓ |
| 44 | | 44 | | 44 | | 44 | | 44 | ↓ | 44 | ↓ | 44 | ↓ | 44 | ↓ | 44 | ↓ | 44 | ↓ | 44 | ↓ | 44 | ↓ | 44 | ↓ |
| 45 | | 45 | | 45 | | 45 | | 45 | ↓ | 45 | ↓ | 45 | ↓ | 45 | ↓ | 45 | ↓ | 45 | ↓ | 45 | ↓ | 45 | ↓ | 45 | ↓ |
| 46 | | 46 | | 46 | | 46 | | 46 | ↓ | 46 | ↓ | 46 | ↓ | 46 | ↓ | 46 | ↓ | 46 | ↓ | 46 | ↓ | 46 | ↓ | 46 | ↓ |
| 47 | | 47 | | 47 | | 47 | | 47 | ↓ | 47 | ↓ | 47 | ↓ | 47 | ↓ | 47 | ↓ | 47 | ↓ | 47 | ↓ | 47 | ↓ | 47 | ↓ |

164

PIN LOCATOR - ROW E

| LOC | 1 | LOC | 2 | LOC | 3 | LOC | 4 | LOC | 5 | LOC | 6 | LOC | 7 | LOC | 8 | LOC | 9 | LOC | 10 | LOC | 11 | LOC | 12 | LOC | 13 |
|-----|------|-----|------|-----|------|-----|------|-----|------------|-----|------|-----|--------|-----|--------|-----|------|-----|------|-----|--------|-----|------|-----|------|
| PIN | PAGE | PIN | PAGE | PIN | PAGE | PIN | PAGE | PIN | PAGE | PIN | PAGE | PIN | PAGE | PIN | PAGE | PIN | PAGE | PIN | PAGE | PIN | PAGE | PIN | PAGE | PIN | PAGE |
| 1 | | 1 | | 1 | | 1 | | 1 | 50 | 1 | 32 | 1 | 18 | 1 | 26 | 1 | 97 | 1 | 31 | 1 | 21 | 1 | 39 | 1 | 30 |
| 2 | | 2 | | 2 | | 2 | | 2 | ↓ | 2 | ↓ | 2 | ↓ | 2 | ↓ | 2 | 26 | 2 | ↓ | 2 | ↓ | 2 | ↓ | 2 | ↓ |
| 3 | | 3 | | 3 | | 3 | | 3 | ↓ | 3 | ↓ | 3 | ↓ | 3 | ↓ | 3 | ↓ | 3 | ↓ | 3 | ↓ | 3 | ↓ | 3 | ↓ |
| 4 | | 4 | | 4 | | 4 | | 4 | ↓ | 4 | ↓ | 4 | ↓ | 4 | ↓ | 4 | ↓ | 4 | ↓ | 4 | ↓ | 4 | ↓ | 4 | ↓ |
| 5 | | 5 | | 5 | | 5 | | 5 | 60 | 5 | ↓ | 5 | ↓ | 5 | ↓ | 5 | ↓ | 5 | ↓ | 5 | ↓ | 5 | ↓ | 5 | ↓ |
| 6 | | 6 | | 6 | | 6 | | 6 | ↓ | 6 | ↓ | 6 | ↓ | 6 | ↓ | 6 | ↓ | 6 | ↓ | 6 | ↓ | 6 | ↓ | 6 | ↓ |
| 7 | | 7 | | 7 | | 7 | | 7 | ↓ | 7 | ↓ | 7 | ↓ | 7 | ↓ | 7 | 26 | 7 | ↓ | 7 | ↓ | 7 | ↓ | 7 | ↓ |
| 8 | | 8 | | 8 | | 8 | | 8 | 67 | 8 | 33 | 8 | 48 | 8 | ↓ | 8 | 26 | 8 | ↓ | 8 | ↓ | 8 | ↓ | 8 | ↓ |
| 9 | | 9 | | 9 | | 9 | | 9 | 67 | 9 | 33 | 9 | 48 | 9 | ↓ | 9 | 26 | 9 | ↓ | 9 | ↓ | 9 | ↓ | 9 | ↓ |
| 10 | | 10 | | 10 | | 10 | | 10 | 30 | 10 | 48 | 10 | 48 | 10 | ↓ | 10 | 33 | 10 | ↓ | 10 | ↓ | 10 | ↓ | 10 | ↓ |
| 11 | | 11 | | 11 | | 11 | | 11 | 30 | 11 | 48 | 11 | 48, 49 | 11 | ↓ | 11 | 31 | 11 | ↓ | 11 | 25, 21 | 11 | ↓ | 11 | ↓ |
| 12 | | 12 | | 12 | | 12 | | 12 | 50 | 12 | 19 | 12 | 49 | 12 | ↓ | 12 | 31 | 12 | ↓ | 12 | 25 | 12 | ↓ | 12 | ↓ |
| 13 | | 13 | | 13 | | 13 | | 13 | 50 | 13 | 19 | 13 | 49 | 13 | ↓ | 13 | 31 | 13 | ↓ | 13 | 25 | 13 | ↓ | 13 | ↓ |
| 14 | | 14 | | 14 | | 14 | | 14 | 21 | 14 | 33 | 14 | 49 | 14 | ↓ | 14 | 33 | 14 | ↓ | 14 | 25 | 14 | ↓ | 14 | ↓ |
| 15 | | 15 | | 15 | | 15 | | 15 | 21 | 15 | 33 | 15 | 18 | 15 | ↓ | 15 | 19 | 15 | ↓ | 15 | 21 | 15 | ↓ | 15 | ↓ |
| 16 | | 16 | | 16 | | 16 | | 16 | 59 | 16 | ↓ | 16 | ↓ | 16 | ↓ | 16 | ↓ | 16 | ↓ | 16 | ↓ | 16 | ↓ | 16 | ↓ |
| 17 | | 17 | | 17 | | 17 | | 17 | ↓ | 17 | ↓ | 17 | ↓ | 17 | ↓ | 17 | ↓ | 17 | ↓ | 17 | ↓ | 17 | ↓ | 17 | ↓ |
| 18 | | 18 | | 18 | | 18 | | 18 | ↓ | 18 | ↓ | 18 | ↓ | 18 | ↓ | 18 | ↓ | 18 | ↓ | 18 | ↓ | 18 | ↓ | 18 | ↓ |
| 19 | | 19 | | 19 | | 19 | | 19 | 39 | 19 | ↓ | 19 | ↓ | 19 | ↓ | 19 | 26 | 19 | ↓ | 19 | ↓ | 19 | ↓ | 19 | ↓ |
| 20 | | 20 | | 20 | | 20 | | 20 | ↓ | 20 | ↓ | 20 | ↓ | 20 | ↓ | 20 | ↓ | 20 | ↓ | 20 | ↓ | 20 | ↓ | 20 | ↓ |
| 21 | | 21 | | 21 | | 21 | | 21 | ↓ | 21 | ↓ | 21 | ↓ | 21 | ↓ | 21 | ↓ | 21 | ↓ | 21 | ↓ | 21 | ↓ | 21 | ↓ |
| 22 | | 22 | | 22 | | 22 | | 22 | 30 | 22 | 60 | 22 | ↓ | 22 | ↓ | 22 | ↓ | 22 | ↓ | 22 | ↓ | 22 | ↓ | 22 | ↓ |
| 23 | | 23 | | 23 | | 23 | | 23 | ↓ | 23 | 60 | 23 | ↓ | 23 | ↓ | 23 | 19 | 23 | ↓ | 23 | ↓ | 23 | ↓ | 23 | ↓ |
| 24 | | 24 | | 24 | | 24 | | 24 | ↓ | 24 | 60 | 24 | ↓ | 24 | ↓ | 24 | ↓ | 24 | ↓ | 24 | ↓ | 24 | ↓ | 24 | ↓ |
| 25 | | 25 | | 25 | | 25 | | 25 | ↓ | 25 | 49 | 25 | ↓ | 25 | ↓ | 25 | ↓ | 25 | ↓ | 25 | ↓ | 25 | ↓ | 25 | ↓ |
| 26 | | 26 | | 26 | | 26 | | 26 | ↓ | 26 | 49 | 26 | ↓ | 26 | ↓ | 26 | ↓ | 26 | ↓ | 26 | ↓ | 26 | ↓ | 26 | ↓ |
| 27 | | 27 | | 27 | | 27 | | 27 | ↓ | 27 | 49 | 27 | ↓ | 27 | ↓ | 27 | ↓ | 27 | ↓ | 27 | ↓ | 27 | ↓ | 27 | ↓ |
| 28 | | 28 | | 28 | | 28 | | 28 | 50 | 28 | 60 | 28 | 33 | 28 | 22 | 28 | ↓ | 28 | ↓ | 28 | 25 | 28 | ↓ | 28 | ↓ |
| 29 | | 29 | | 29 | | 29 | | 29 | ↓ | 29 | 60 | 29 | ↓ | 29 | ↓ | 29 | ↓ | 29 | ↓ | 29 | ↓ | 29 | ↓ | 29 | ↓ |
| 30 | | 30 | | 30 | | 30 | | 30 | ↓ | 30 | 60 | 30 | ↓ | 30 | ↓ | 30 | ↓ | 30 | ↓ | 30 | ↓ | 30 | ↓ | 30 | ↓ |
| 31 | | 31 | | 31 | | 31 | | 31 | 77 | 31 | 33 | 31 | ↓ | 31 | 22, 49 | 31 | ↓ | 31 | ↓ | 31 | ↓ | 31 | ↓ | 31 | ↓ |
| 32 | | 32 | | 32 | | 32 | | 32 | 77 | 32 | 33 | 32 | ↓ | 32 | 49 | 32 | ↓ | 32 | ↓ | 32 | ↓ | 32 | ↓ | 32 | ↓ |
| 33 | | 33 | | 33 | | 33 | | 33 | ↓ | 33 | 97 | 33 | ↓ | 33 | ↓ | 33 | ↓ | 33 | ↓ | 33 | ↓ | 33 | ↓ | 33 | ↓ |
| 34 | | 34 | | 34 | | 34 | | 34 | 50, 60, 59 | 34 | 77 | 34 | 33 | 34 | ↓ | 34 | ↓ | 34 | ↓ | 34 | ↓ | 34 | ↓ | 34 | ↓ |
| 35 | | 35 | | 35 | | 35 | | 35 | 50 | 35 | 26 | 35 | 33 | 35 | 18 | 35 | 26 | 35 | 31 | 35 | 21 | 35 | ↓ | 35 | 30 |
| 36 | | 36 | | 36 | | 36 | | 36 | ↓ | 36 | 77 | 36 | 33 | 36 | ↓ | 36 | ↓ | 36 | ↓ | 36 | ↓ | 36 | ↓ | 36 | ↓ |
| 37 | | 37 | | 37 | | 37 | | 37 | ↓ | 37 | 97 | 37 | ↓ | 37 | ↓ | 37 | ↓ | 37 | ↓ | 37 | ↓ | 37 | ↓ | 37 | ↓ |
| 38 | | 38 | | 38 | | 38 | | 38 | 60 | 38 | 26 | 38 | 33 | 38 | ↓ | 38 | ↓ | 38 | ↓ | 38 | ↓ | 38 | ↓ | 38 | ↓ |
| 39 | | 39 | | 39 | | 39 | | 39 | ↓ | 39 | ↓ | 39 | ↓ | 39 | ↓ | 39 | ↓ | 39 | ↓ | 39 | ↓ | 39 | ↓ | 39 | ↓ |
| 40 | | 40 | | 40 | | 40 | | 40 | ↓ | 40 | ↓ | 40 | ↓ | 40 | ↓ | 40 | ↓ | 40 | ↓ | 40 | ↓ | 40 | ↓ | 40 | ↓ |
| 41 | | 41 | | 41 | | 41 | | 41 | 59 | 41 | ↓ | 41 | ↓ | 41 | ↓ | 41 | ↓ | 41 | ↓ | 41 | ↓ | 41 | ↓ | 41 | ↓ |
| 42 | | 42 | | 42 | | 42 | | 42 | ↓ | 42 | ↓ | 42 | ↓ | 42 | ↓ | 42 | ↓ | 42 | ↓ | 42 | ↓ | 42 | ↓ | 42 | ↓ |
| 43 | | 43 | | 43 | | 43 | | 43 | 30 | 43 | 32 | 43 | ↓ | 43 | ↓ | 43 | ↓ | 43 | ↓ | 43 | ↓ | 43 | ↓ | 43 | ↓ |
| 44 | | 44 | | 44 | | 44 | | 44 | ↓ | 44 | ↓ | 44 | ↓ | 44 | ↓ | 44 | ↓ | 44 | ↓ | 44 | ↓ | 44 | ↓ | 44 | ↓ |
| 45 | | 45 | | 45 | | 45 | | 45 | ↓ | 45 | ↓ | 45 | ↓ | 45 | ↓ | 45 | ↓ | 45 | ↓ | 45 | ↓ | 45 | ↓ | 45 | ↓ |
| 46 | | 46 | | 46 | | 46 | | 46 | ↓ | 46 | ↓ | 46 | ↓ | 46 | ↓ | 46 | ↓ | 46 | ↓ | 46 | ↓ | 46 | ↓ | 46 | ↓ |
| 47 | | 47 | | 47 | | 47 | | 47 | ↓ | 47 | ↓ | 47 | ↓ | 47 | ↓ | 47 | ↓ | 47 | ↓ | 47 | ↓ | 47 | ↓ | 47 | ↓ |

165

PIN LOCATOR - ROW E

| LOC | 1 | LOC | 2 | LOC | 3 | LOC | 4 | LOC | 5 | LOC | 6 | LOC | 7 | LOC | 8 | LOC | 9 | LOC | 10 | LOC | 11 | LOC | 12 | LOC | 13 |
|-----|------|-----|------|-----|------|-----|------------|-----|------|-----|--------|-----|--------|-----|------|-----|------|-----|--------|-----|------|-----|------|-----|------|
| PIN | PAGE | PIN | PAGE | PIN | PAGE | PIN | PAGE | PIN | PAGE | PIN | PAGE | PIN | PAGE | PIN | PAGE | PIN | PAGE | PIN | PAGE | PIN | PAGE | PIN | PAGE | PIN | PAGE |
| 1 | | 1 | | 1 | | 1 | 50 | 1 | 32 | 1 | 18 | 1 | 26 | 1 | 97 | 1 | 31 | 1 | 21 | 1 | 39 | 1 | 30 | | |
| 2 | | 2 | | 2 | | 2 | ↓ | 2 | ↓ | 2 | ↓ | 2 | ↓ | 2 | 26 | 2 | ↓ | 2 | ↓ | 2 | ↓ | 2 | 21 | 2 | ↓ |
| 3 | | 3 | | 3 | | 3 | ↓ | 3 | ↓ | 3 | ↓ | 3 | ↓ | 3 | ↓ | 3 | ↓ | 3 | ↓ | 3 | ↓ | 3 | ↓ | 3 | ↓ |
| 4 | | 4 | | 4 | | 4 | ↓ | 4 | ↓ | 4 | ↓ | 4 | ↓ | 4 | ↓ | 4 | ↓ | 4 | ↓ | 4 | ↓ | 4 | ↓ | 4 | ↓ |
| 5 | | 5 | | 5 | | 5 | 60 | 5 | ↓ | 5 | ↓ | 5 | ↓ | 5 | ↓ | 5 | ↓ | 5 | ↓ | 5 | ↓ | 5 | ↓ | 5 | ↓ |
| 6 | | 6 | | 6 | | 6 | ↓ | 6 | ↓ | 6 | ↓ | 6 | ↓ | 6 | ↓ | 6 | ↓ | 6 | ↓ | 6 | ↓ | 6 | ↓ | 6 | ↓ |
| 7 | | 7 | | 7 | | 7 | ↓ | 7 | ↓ | 7 | ↓ | 7 | ↓ | 7 | 26 | 7 | ↓ | 7 | ↓ | 7 | ↓ | 7 | 21 | 7 | ↓ |
| 8 | | 8 | | 8 | | 8 | 67 | 8 | 33 | 8 | 48 | 8 | ↓ | 8 | 26 | 8 | ↓ | 8 | ↓ | 8 | ↓ | 8 | 21 | 8 | ↓ |
| 9 | | 9 | | 9 | | 9 | 67 | 9 | 33 | 9 | 48 | 9 | ↓ | 9 | 26 | 9 | ↓ | 9 | ↓ | 9 | ↓ | 9 | 21 | 9 | ↓ |
| 10 | | 10 | | 10 | | 10 | 30 | 10 | 48 | 10 | 48 | 10 | ↓ | 10 | 33 | 10 | ↓ | 10 | ↓ | 10 | ↓ | 10 | ↓ | 10 | ↓ |
| 11 | | 11 | | 11 | | 11 | 30 | 11 | 48 | 11 | 48, 49 | 11 | ↓ | 11 | 31 | 11 | ↓ | 11 | 25, 21 | 11 | ↓ | 11 | 21 | 11 | ↓ |
| 12 | | 12 | | 12 | | 12 | 50 | 12 | 19 | 12 | 49 | 12 | ↓ | 12 | 31 | 12 | ↓ | 12 | 25 | 12 | ↓ | 12 | 21 | 12 | ↓ |
| 13 | | 13 | | 13 | | 13 | 50 | 13 | 19 | 13 | 49 | 13 | ↓ | 13 | 31 | 13 | ↓ | 13 | 25 | 13 | ↓ | 13 | 21 | 13 | ↓ |
| 14 | | 14 | | 14 | | 14 | 21 | 14 | 33 | 14 | 49 | 14 | ↓ | 14 | 33 | 14 | ↓ | 14 | 25 | 14 | ↓ | 14 | ↓ | 14 | ↓ |
| 15 | | 15 | | 15 | | 15 | 21 | 15 | 33 | 15 | 18 | 15 | ↓ | 15 | 19 | 15 | ↓ | 15 | 21 | 15 | ↓ | 15 | 21 | 15 | ↓ |
| 16 | | 16 | | 16 | | 16 | 59 | 16 | 68 | 16 | ↓ | 16 | ↓ | 16 | ↓ | 16 | ↓ | 16 | ↓ | 16 | ↓ | 16 | 21 | 16 | ↓ |
| 17 | | 17 | | 17 | | 17 | ↓ | 17 | 68 | 17 | ↓ | 17 | ↓ | 17 | ↓ | 17 | ↓ | 17 | ↓ | 17 | ↓ | 17 | 21 | 17 | ↓ |
| 18 | | 18 | | 18 | | 18 | ↓ | 18 | ↓ | 18 | ↓ | 18 | ↓ | 18 | ↓ | 18 | ↓ | 18 | ↓ | 18 | ↓ | 18 | 22 | 18 | ↓ |
| 19 | | 19 | | 19 | | 19 | 39 | 19 | ↓ | 19 | ↓ | 19 | ↓ | 19 | 26 | 19 | ↓ | 19 | ↓ | 19 | ↓ | 19 | ↓ | 19 | ↓ |
| 20 | | 20 | | 20 | | 20 | ↓ | 20 | ↓ | 20 | ↓ | 20 | ↓ | 20 | ↓ | 20 | ↓ | 20 | ↓ | 20 | ↓ | 20 | ↓ | 20 | ↓ |
| 21 | | 21 | | 21 | | 21 | ↓ | 21 | ↓ | 21 | ↓ | 21 | ↓ | 21 | ↓ | 21 | ↓ | 21 | ↓ | 21 | ↓ | 21 | ↓ | 21 | ↓ |
| 22 | | 22 | | 22 | | 22 | 30 | 22 | 60 | 22 | ↓ | 22 | ↓ | 22 | ↓ | 22 | ↓ | 22 | ↓ | 22 | ↓ | 22 | ↓ | 22 | ↓ |
| 23 | | 23 | | 23 | | 23 | ↓ | 23 | 60 | 23 | ↓ | 23 | ↓ | 23 | 19 | 23 | ↓ | 23 | ↓ | 23 | ↓ | 23 | 21 | 23 | ↓ |
| 24 | | 24 | | 24 | | 24 | ↓ | 24 | 60 | 24 | ↓ | 24 | ↓ | 24 | ↓ | 24 | ↓ | 24 | ↓ | 24 | ↓ | 24 | ↓ | 24 | ↓ |
| 25 | | 25 | | 25 | | 25 | 49 | 25 | ↓ | 25 | ↓ | 25 | ↓ | 25 | ↓ | 25 | ↓ | 25 | ↓ | 25 | ↓ | 25 | ↓ | 25 | ↓ |
| 26 | | 26 | | 26 | | 26 | 49 | 26 | ↓ | 26 | ↓ | 26 | ↓ | 26 | ↓ | 26 | ↓ | 26 | ↓ | 26 | ↓ | 26 | ↓ | 26 | ↓ |
| 27 | | 27 | | 27 | | 27 | 49 | 27 | ↓ | 27 | ↓ | 27 | ↓ | 27 | ↓ | 27 | ↓ | 27 | ↓ | 27 | ↓ | 27 | ↓ | 27 | ↓ |
| 28 | | 28 | | 28 | | 28 | 50 | 28 | 60 | 28 | 33 | 28 | 22 | 28 | ↓ | 28 | ↓ | 28 | 25 | 28 | ↓ | 28 | ↓ | 28 | 25 |
| 29 | | 29 | | 29 | | 29 | ↓ | 29 | 60 | 29 | ↓ | 29 | ↓ | 29 | ↓ | 29 | ↓ | 29 | ↓ | 29 | ↓ | 29 | ↓ | 29 | ↓ |
| 30 | | 30 | | 30 | | 30 | ↓ | 30 | 60 | 30 | ↓ | 30 | ↓ | 30 | ↓ | 30 | ↓ | 30 | ↓ | 30 | ↓ | 30 | ↓ | 30 | ↓ |
| 31 | | 31 | | 31 | | 31 | 77 | 31 | 33 | 31 | ↓ | 31 | 22, 49 | 31 | ↓ | 31 | ↓ | 31 | ↓ | 31 | ↓ | 31 | ↓ | 31 | ↓ |
| 32 | | 32 | | 32 | | 32 | 77 | 32 | 33 | 32 | ↓ | 32 | 49 | 32 | ↓ | 32 | ↓ | 32 | ↓ | 32 | ↓ | 32 | ↓ | 32 | ↓ |
| 33 | | 33 | | 33 | | 33 | ↓ | 33 | 97 | 33 | ↓ | 33 | ↓ | 33 | ↓ | 33 | ↓ | 33 | ↓ | 33 | ↓ | 33 | ↓ | 33 | ↓ |
| 34 | | 34 | | 34 | | 34 | 50, 60, 59 | 34 | 77 | 34 | 33 | 34 | ↓ | 34 | ↓ | 34 | ↓ | 34 | ↓ | 34 | ↓ | 34 | ↓ | 34 | ↓ |
| 35 | | 35 | | 35 | | 35 | 50 | 35 | 26 | 35 | 33 | 35 | 18 | 35 | 26 | 35 | ↓ | 35 | 31 | 35 | 21 | 35 | ↓ | 35 | 30 |
| 36 | | 36 | | 36 | | 36 | ↓ | 36 | 77 | 36 | 33 | 36 | ↓ | 36 | ↓ | 36 | ↓ | 36 | ↓ | 36 | ↓ | 36 | ↓ | 36 | ↓ |
| 37 | | 37 | | 37 | | 37 | ↓ | 37 | 97 | 37 | ↓ | 37 | ↓ | 37 | ↓ | 37 | ↓ | 37 | ↓ | 37 | ↓ | 37 | ↓ | 37 | ↓ |
| 38 | | 38 | | 38 | | 38 | 60 | 38 | 26 | 38 | 33 | 38 | ↓ | 38 | ↓ | 38 | ↓ | 38 | ↓ | 38 | ↓ | 38 | ↓ | 38 | ↓ |
| 39 | | 39 | | 39 | | 39 | ↓ | 39 | ↓ | 39 | ↓ | 39 | ↓ | 39 | ↓ | 39 | ↓ | 39 | ↓ | 39 | ↓ | 39 | ↓ | 39 | ↓ |
| 40 | | 40 | | 40 | | 40 | ↓ | 40 | ↓ | 40 | ↓ | 40 | ↓ | 40 | ↓ | 40 | ↓ | 40 | ↓ | 40 | ↓ | 40 | ↓ | 40 | ↓ |
| 41 | | 41 | | 41 | | 41 | 59 | 41 | ↓ | 41 | ↓ | 41 | ↓ | 41 | ↓ | 41 | ↓ | 41 | ↓ | 41 | ↓ | 41 | ↓ | 41 | ↓ |
| 42 | | 42 | | 42 | | 42 | ↓ | 42 | ↓ | 42 | ↓ | 42 | ↓ | 42 | ↓ | 42 | ↓ | 42 | ↓ | 42 | ↓ | 42 | ↓ | 42 | ↓ |
| 43 | | 43 | | 43 | | 43 | ↓ | 43 | 30 | 43 | 32 | 43 | ↓ | 43 | ↓ | 43 | ↓ | 43 | ↓ | 43 | ↓ | 43 | ↓ | 43 | ↓ |
| 44 | | 44 | | 44 | | 44 | ↓ | 44 | ↓ | 44 | ↓ | 44 | ↓ | 44 | ↓ | 44 | ↓ | 44 | ↓ | 44 | ↓ | 44 | ↓ | 44 | ↓ |
| 45 | | 45 | | 45 | | 45 | ↓ | 45 | ↓ | 45 | ↓ | 45 | ↓ | 45 | ↓ | 45 | ↓ | 45 | ↓ | 45 | ↓ | 45 | ↓ | 45 | ↓ |
| 46 | | 46 | | 46 | | 46 | ↓ | 46 | ↓ | 46 | ↓ | 46 | ↓ | 46 | ↓ | 46 | ↓ | 46 | ↓ | 46 | ↓ | 46 | ↓ | 46 | ↓ |
| 47 | | 47 | | 47 | | 47 | ↓ | 47 | ↓ | 47 | ↓ | 47 | ↓ | 47 | ↓ | 47 | ↓ | 47 | ↓ | 47 | ↓ | 47 | ↓ | 47 | ↓ |

166

PIN LOCATOR - ROW E

| LOC | 1 | LOC | 2 | LOC | 3 | LOC | 4 | LOC | 5 | LOC | 6 | LOC | 7 | LOC | 8 | LOC | 9 | LOC | 10 | LOC | 11 | LOC | 12 | LOC | 13 |
|-----|------|-----|------|-----|------|-----|--------|-----|------|-----|------|-----|--------|-----|--------|-----|------|-----|------|-----|--------|-----|------|-----|------|
| PIN | PAGE | PIN | PAGE | PIN | PAGE | PIN | PAGE | PIN | PAGE | PIN | PAGE | PIN | PAGE | PIN | PAGE | PIN | PAGE | PIN | PAGE | PIN | PAGE | PIN | PAGE | PIN | PAGE |
| 1 | | 1 | | 1 | | 1 | | 1 | 50 | 1 | 32 | 1 | 18 | 1 | 26 | 1 | 97 | 1 | 31 | 1 | 21 | 1 | 39 | 1 | 30 |
| 2 | | 2 | | 2 | | 2 | | 2 | | 2 | | 2 | | 2 | | 2 | 26 | 2 | | 2 | | 2 | 21 | 2 | |
| 3 | | 3 | | 3 | | 3 | | 3 | | 3 | | 3 | | 3 | | 3 | | 3 | | 3 | | 3 | | 3 | |
| 4 | | 4 | | 4 | | 4 | | 4 | | 4 | | 4 | | 4 | | 4 | | 4 | | 4 | | 4 | | 4 | |
| 5 | | 5 | | 5 | | 5 | | 5 | 60 | 5 | | 5 | | 5 | | 5 | | 5 | | 5 | | 5 | | 5 | |
| 6 | | 6 | | 6 | | 6 | | 6 | | 6 | | 6 | | 6 | | 6 | | 6 | | 6 | | 6 | | 6 | |
| 7 | | 7 | | 7 | | 7 | | 7 | | 7 | | 7 | | 7 | | 7 | 26 | 7 | | 7 | | 7 | 21 | 7 | |
| 8 | | 8 | | 8 | | 8 | | 8 | 67 | 8 | 33 | 8 | 48 | 8 | | 8 | 26 | 8 | | 8 | | 8 | 21 | 8 | |
| 9 | | 9 | | 9 | | 9 | | 9 | 67 | 9 | 33 | 9 | 48 | 9 | | 9 | 26 | 9 | | 9 | | 9 | 21 | 9 | |
| 10 | | 10 | | 10 | | 10 | | 10 | 30 | 10 | 48 | 10 | 48 | 10 | | 10 | 33 | 10 | | 10 | | 10 | | 10 | |
| 11 | | 11 | | 11 | | 11 | | 11 | 30 | 11 | 48 | 11 | 48, 49 | 11 | | 11 | 31 | 11 | | 11 | 25, 21 | 11 | 21 | 11 | |
| 12 | | 12 | | 12 | | 12 | | 12 | 50 | 12 | 19 | 12 | 49 | 12 | | 12 | 31 | 12 | | 12 | 25 | 12 | 21 | 12 | |
| 13 | | 13 | | 13 | | 13 | | 13 | 50 | 13 | 19 | 13 | 49 | 13 | | 13 | 31 | 13 | | 13 | 25 | 13 | 21 | 13 | |
| 14 | | 14 | | 14 | | 14 | | 14 | 21 | 14 | 33 | 14 | 49 | 14 | | 14 | 33 | 14 | | 14 | 25 | 14 | | 14 | |
| 15 | | 15 | | 15 | | 15 | | 15 | 21 | 15 | 33 | 15 | 18 | 15 | | 15 | 19 | 15 | | 15 | 21 | 15 | 21 | 15 | |
| 16 | | 16 | | 16 | | 16 | | 16 | 21 | 16 | 68 | 16 | | 16 | | 16 | | 16 | | 16 | | 16 | 21 | 16 | |
| 17 | | 17 | | 17 | | 17 | | 17 | 21 | 17 | 68 | 17 | | 17 | | 17 | | 17 | | 17 | | 17 | 21 | 17 | |
| 18 | | 18 | | 18 | | 18 | | 18 | 21 | 18 | | 18 | | 18 | | 18 | | 18 | | 18 | | 18 | 22 | 18 | |
| 19 | | 19 | | 19 | | 19 | | 19 | | 19 | 39 | 19 | | 19 | | 19 | 26 | 19 | | 19 | | 19 | | 19 | |
| 20 | | 20 | | 20 | | 20 | | 20 | | 20 | | 20 | | 20 | | 20 | | 20 | | 20 | | 20 | | 20 | |
| 21 | | 21 | | 21 | | 21 | | 21 | | 21 | | 21 | | 21 | | 21 | | 21 | | 21 | | 21 | | 21 | |
| 22 | | 22 | | 22 | | 22 | | 22 | 30 | 22 | 60 | 22 | | 22 | | 22 | | 22 | | 22 | | 22 | | 22 | |
| 23 | | 23 | | 23 | | 23 | | 23 | | 23 | 60 | 23 | | 23 | | 23 | 19 | 23 | | 23 | | 23 | 21 | 23 | |
| 24 | | 24 | | 24 | | 24 | | 24 | | 24 | 60 | 24 | | 24 | | 24 | | 24 | | 24 | | 24 | | 24 | |
| 25 | | 25 | | 25 | | 25 | | 25 | | 25 | 49 | 25 | | 25 | | 25 | | 25 | | 25 | | 25 | | 25 | |
| 26 | | 26 | | 26 | | 26 | | 26 | | 26 | 49 | 26 | | 26 | | 26 | | 26 | | 26 | | 26 | | 26 | |
| 27 | | 27 | | 27 | | 27 | | 27 | | 27 | 49 | 27 | | 27 | | 27 | | 27 | | 27 | | 27 | | 27 | |
| 28 | | 28 | | 28 | | 28 | | 28 | 50 | 28 | 60 | 28 | 33 | 28 | 22 | 28 | | 28 | | 28 | 25 | 28 | | 28 | 25 |
| 29 | | 29 | | 29 | | 29 | | 29 | | 29 | 60 | 29 | | 29 | | 29 | | 29 | | 29 | | 29 | | 29 | |
| 30 | | 30 | | 30 | | 30 | | 30 | | 30 | 60 | 30 | | 30 | | 30 | | 30 | | 30 | | 30 | | 30 | |
| 31 | | 31 | | 31 | | 31 | | 31 | 77 | 31 | 33 | 31 | | 31 | 22, 49 | 31 | | 31 | | 31 | | 31 | | 31 | |
| 32 | | 32 | | 32 | | 32 | | 32 | 77 | 32 | 33 | 32 | | 32 | 49 | 32 | | 32 | | 32 | | 32 | | 32 | |
| 33 | | 33 | | 33 | | 33 | | 33 | | 33 | 97 | 33 | | 33 | | 33 | | 33 | | 33 | | 33 | | 33 | |
| 34 | | 34 | | 34 | | 34 | 50, 59 | 34 | 77 | 34 | 33 | 34 | | 34 | | 34 | | 34 | | 34 | | 34 | | 34 | |
| 35 | | 35 | | 35 | | 35 | 50 | 35 | 26 | 35 | 33 | 35 | 18 | 35 | 26 | 35 | | 35 | 31 | 35 | 21 | 35 | | 35 | 30 |
| 36 | | 36 | | 36 | | 36 | | 36 | 77 | 36 | 33 | 36 | | 36 | | 36 | | 36 | | 36 | | 36 | | 36 | |
| 37 | | 37 | | 37 | | 37 | | 37 | | 37 | 97 | 37 | | 37 | | 37 | | 37 | | 37 | | 37 | | 37 | |
| 38 | | 38 | | 38 | | 38 | 60 | 38 | 26 | 38 | 33 | 38 | | 38 | | 38 | | 38 | | 38 | | 38 | | 38 | |
| 39 | | 39 | | 39 | | 39 | | 39 | | 39 | | 39 | | 39 | | 39 | | 39 | | 39 | | 39 | | 39 | |
| 40 | | 40 | | 40 | | 40 | | 40 | | 40 | | 40 | | 40 | | 40 | | 40 | | 40 | | 40 | | 40 | |
| 41 | | 41 | | 41 | | 41 | 21 | 41 | | 41 | | 41 | | 41 | | 41 | | 41 | | 41 | | 41 | | 41 | |
| 42 | | 42 | | 42 | | 42 | 21 | 42 | | 42 | | 42 | | 42 | | 42 | | 42 | | 42 | | 42 | | 42 | |
| 43 | | 43 | | 43 | | 43 | 21 | 43 | 30 | 43 | 32 | 43 | | 43 | | 43 | | 43 | | 43 | | 43 | | 43 | |
| 44 | | 44 | | 44 | | 44 | | 44 | | 44 | | 44 | | 44 | | 44 | | 44 | | 44 | | 44 | | 44 | |
| 45 | | 45 | | 45 | | 45 | | 45 | | 45 | | 45 | | 45 | | 45 | | 45 | | 45 | | 45 | | 45 | |
| 46 | | 46 | | 46 | | 46 | | 46 | | 46 | | 46 | | 46 | | 46 | | 46 | | 46 | | 46 | | 46 | |
| 47 | | 47 | | 47 | | 47 | | 47 | | 47 | | 47 | | 47 | | 47 | | 47 | | 47 | | 47 | | 47 | |

167

PIN LOCATOR - ROW E

| LOC | 1 | LOC | 2 | LOC | 3 | LOC | 4 | LOC | 5 | LOC | 6 | LOC | 7 | LOC | 8 | LOC | 9 | LOC | 10 | LOC | 11 | LOC | 12 | LOC | 13 |
|-----|------|-----|------|-----|------|-----|--------|-----|------|-----|------|-----|--------|-----|--------|-----|------|-----|------|-----|--------|-----|------|-----|------|
| PIN | PAGE | PIN | PAGE | PIN | PAGE | PIN | PAGE | PIN | PAGE | PIN | PAGE | PIN | PAGE | PIN | PAGE | PIN | PAGE | PIN | PAGE | PIN | PAGE | PIN | PAGE | PIN | PAGE |
| 1 | | 1 | | 1 | | 1 | | 1 | 50 | 1 | 32 | 1 | 18 | 1 | 26 | 1 | 97 | 1 | 31 | 1 | 21 | 1 | 39 | 1 | 30 |
| 2 | | 2 | | 2 | | 2 | | 2 | ↓ | 2 | | 2 | | 2 | | 2 | 26 | 2 | | 2 | | 2 | 21 | 2 | |
| 3 | | 3 | | 3 | | 3 | | 3 | | 3 | | 3 | | 3 | | 3 | | 3 | | 3 | | 3 | | 3 | |
| 4 | | 4 | | 4 | | 4 | | 4 | ↓ | 4 | | 4 | | 4 | | 4 | | 4 | | 4 | | 4 | | 4 | |
| 5 | | 5 | | 5 | | 5 | | 5 | 60 | 5 | | 5 | | 5 | | 5 | ↓ | 5 | | 5 | | 5 | ↓ | 5 | |
| 6 | | 6 | | 6 | | 6 | | 6 | ↓ | 6 | | 6 | | 6 | | 6 | 16 | 6 | | 6 | | 6 | | 6 | |
| 7 | | 7 | | 7 | | 7 | | 7 | ↓ | 7 | | 7 | ↓ | 7 | | 7 | 26 | 7 | | 7 | | 7 | 21 | 7 | |
| 8 | | 8 | | 8 | | 8 | | 8 | 67 | 8 | 33 | 8 | 48 | 8 | | 8 | 26 | 8 | | 8 | | 8 | 21 | 8 | |
| 9 | | 9 | | 9 | | 9 | | 9 | 67 | 9 | 33 | 9 | 48 | 9 | | 9 | 26 | 9 | | 9 | | 9 | 21 | 9 | |
| 10 | | 10 | | 10 | | 10 | | 10 | 30 | 10 | 48 | 10 | 48 | 10 | | 10 | 33 | 10 | | 10 | ↓ | 10 | | 10 | |
| 11 | | 11 | | 11 | | 11 | | 11 | 30 | 11 | 48 | 11 | 48, 49 | 11 | | 11 | 31 | 11 | | 11 | 25, 21 | 11 | 21 | 11 | |
| 12 | | 12 | | 12 | | 12 | | 12 | 50 | 12 | 19 | 12 | 49 | 12 | | 12 | 31 | 12 | | 12 | 25 | 12 | 21 | 12 | |
| 13 | | 13 | | 13 | | 13 | | 13 | 50 | 13 | 19 | 13 | 49 | 13 | | 13 | 31 | 13 | | 13 | 25 | 13 | 21 | 13 | |
| 14 | | 14 | | 14 | | 14 | | 14 | 21 | 14 | 33 | 14 | 49 | 14 | | 14 | 33 | 14 | | 14 | 25 | 14 | | 14 | |
| 15 | | 15 | | 15 | | 15 | | 15 | 21 | 15 | 33 | 15 | 18 | 15 | | 15 | 19 | 15 | | 15 | 21 | 15 | 21 | 15 | |
| 16 | | 16 | | 16 | | 16 | | 16 | 21 | 16 | 68 | 16 | | 16 | | 16 | | 16 | | 16 | | 16 | 21 | 16 | |
| 17 | | 17 | | 17 | | 17 | | 17 | 21 | 17 | 68 | 17 | | 17 | | 17 | | 17 | | 17 | | 17 | 21 | 17 | |
| 18 | | 18 | | 18 | | 18 | | 18 | 21 | 18 | | 18 | | 18 | | 18 | ↓ | 18 | | 18 | | 18 | 22 | 18 | |
| 19 | | 19 | | 19 | | 19 | | 19 | | 19 | 39 | 19 | | 19 | | 19 | 26 | 19 | | 19 | | 19 | | 19 | |
| 20 | | 20 | | 20 | | 20 | | 20 | | 20 | ↓ | 20 | | 20 | | 20 | | 20 | | 20 | | 20 | | 20 | |
| 21 | | 21 | | 21 | | 21 | | 21 | ↓ | 21 | | 21 | | 21 | | 21 | | 21 | | 21 | | 21 | ↓ | 21 | |
| 22 | | 22 | | 22 | | 22 | | 22 | 30 | 22 | 60 | 22 | | 22 | | 22 | | 22 | | 22 | | 22 | ↓ | 22 | |
| 23 | | 23 | | 23 | | 23 | | 23 | ↓ | 23 | 60 | 23 | | 23 | | 23 | 19 | 23 | | 23 | | 23 | 21 | 23 | |
| 24 | | 24 | | 24 | | 24 | | 24 | ↓ | 24 | 60 | 24 | | 24 | | 24 | | 24 | | 24 | | 24 | | 24 | |
| 25 | | 25 | | 25 | | 25 | | 25 | | 25 | 49 | 25 | | 25 | | 25 | | 25 | | 25 | | 25 | | 25 | |
| 26 | | 26 | | 26 | | 26 | | 26 | | 26 | 49 | 26 | | 26 | | 26 | | 26 | | 26 | | 26 | | 26 | |
| 27 | | 27 | | 27 | | 27 | | 27 | | 27 | 49 | 27 | ↓ | 27 | ↓ | 27 | | 27 | | 27 | | 27 | ↓ | 27 | ↓ |
| 28 | | 28 | | 28 | | 28 | | 28 | 50 | 28 | 60 | 28 | 33 | 28 | 22 | 28 | | 28 | | 28 | 25 | 28 | | 28 | 25 |
| 29 | | 29 | | 29 | | 29 | | 29 | ↓ | 29 | 60 | 29 | | 29 | | 29 | | 29 | | 29 | | 29 | | 29 | |
| 30 | | 30 | | 30 | | 30 | | 30 | ↓ | 30 | 60 | 30 | | 30 | ↓ | 30 | | 30 | ↓ | 30 | | 30 | | 30 | |
| 31 | | 31 | | 31 | | 31 | | 31 | 77 | 31 | 33 | 31 | | 31 | 22, 49 | 31 | | 31 | 31 | 31 | | 31 | | 31 | |
| 32 | | 32 | | 32 | | 32 | | 32 | 77 | 32 | 33 | 32 | | 32 | 49 | 32 | | 32 | | 32 | | 32 | | 32 | |
| 33 | | 33 | | 33 | | 33 | | 33 | | 33 | 97 | 33 | | 33 | | 33 | | 33 | | 33 | | 33 | | 33 | |
| 34 | | 34 | | 34 | | 34 | 50, 59 | 34 | 77 | 34 | 33 | 34 | ↓ | 34 | ↓ | 34 | | 34 | | 34 | | 34 | ↓ | 34 | ↓ |
| 35 | | 35 | | 35 | | 35 | 50 | 35 | 26 | 35 | 33 | 35 | 18 | 35 | 26 | 35 | | 35 | 31 | 35 | 21 | 35 | | 35 | 30 |
| 36 | | 36 | | 36 | | 36 | | 36 | 77 | 36 | 33 | 36 | | 36 | | 36 | | 36 | | 36 | | 36 | | 36 | |
| 37 | | 37 | | 37 | | 37 | ↓ | 37 | | 37 | 97 | 37 | | 37 | | 37 | | 37 | | 37 | | 37 | | 37 | |
| 38 | | 38 | | 38 | | 38 | 60 | 38 | 26 | 38 | 33 | 38 | | 38 | | 38 | | 38 | | 38 | | 38 | | 38 | |
| 39 | | 39 | | 39 | | 39 | ↓ | 39 | | 39 | | 39 | | 39 | | 39 | | 39 | | 39 | | 39 | | 39 | |
| 40 | | 40 | | 40 | | 40 | ↓ | 40 | | 40 | | 40 | | 40 | | 40 | | 40 | | 40 | | 40 | | 40 | |
| 41 | | 41 | | 41 | | 41 | 21 | 41 | | 41 | | 41 | ↓ | 41 | ↓ | 41 | | 41 | ↓ | 41 | ↓ | 41 | | 41 | ↓ |
| 42 | | 42 | | 42 | | 42 | 21 | 42 | | 42 | | 42 | | 42 | | 42 | | 42 | | 42 | | 42 | | 42 | |
| 43 | | 43 | | 43 | | 43 | 21 | 43 | 30 | 43 | 32 | 43 | | 43 | | 43 | ↓ | 43 | | 43 | | 43 | ↓ | 43 | |
| 44 | | 44 | | 44 | | 44 | | 44 | | 44 | | 44 | | 44 | | 44 | | 44 | | 44 | | 44 | | 44 | |
| 45 | | 45 | | 45 | | 45 | | 45 | | 45 | | 45 | | 45 | | 45 | | 45 | | 45 | | 45 | | 45 | |
| 46 | | 46 | | 46 | | 46 | | 46 | | 46 | | 46 | | 46 | | 46 | | 46 | | 46 | | 46 | | 46 | |
| 47 | | 47 | | 47 | | 47 | | 47 | | 47 | | 47 | | 47 | | 47 | | 47 | | 47 | | 47 | | 47 | |

168

PIN LOCATOR - ROW E

| LOC | 14 | LOC | 15 | LOC | 16 | LOC | 17 | LOC | 18 | LOC | 19 | LOC | 20 | LOC | 21 | LOC | 22 | LOC | 23 | LOC | 24 | LOC | 25 | LOC | |
|-----|------|-----|------|-----|--------|-----|--------|-----|------|-----|------|-----|--------|-----|------|-----|--------|-----|--------|-----|--------|-----|--------|-----|------|
| PIN | PAGE | PIN | PAGE | PIN | PAGE | PIN | PAGE | PIN | PAGE | PIN | PAGE | PIN | PAGE | PIN | PAGE | PIN | PAGE | PIN | PAGE | PIN | PAGE | PIN | PAGE | PIN | PAGE |
| 1 | 22 | 1 | 25 | 1 | | 1 | 29 | 1 | | 1 | 32 | 1 | 23 | 1 | 23 | 1 | | 1 | 28 | 1 | 27 | 1 | 24 | 1 | |
| 2 | | 2 | | 2 | 25, 21 | 2 | | 2 | | 2 | | 2 | 23 | 2 | 23 | 2 | | 2 | | 2 | | 2 | | 2 | |
| 3 | | 3 | | 3 | 25 | 3 | | 3 | 29 | 3 | | 3 | 23 | 3 | 23 | 3 | | 3 | | 3 | | 3 | | 3 | |
| 4 | | 4 | | 4 | 25 | 4 | | 4 | | 4 | | 4 | 16 | 4 | 17 | 4 | 28 | 4 | | 4 | | 4 | | 4 | |
| 5 | | 5 | | 5 | 25 | 5 | | 5 | | 5 | 92 | 5 | | 5 | | 5 | | 5 | | 5 | | 5 | | 5 | |
| 6 | | 6 | | 6 | | 6 | | 6 | | 6 | 92 | 6 | | 6 | | 6 | | 6 | | 6 | | 6 | | 6 | |
| 7 | | 7 | | 7 | 21 | 7 | | 7 | | 7 | 92 | 7 | | 7 | | 7 | | 7 | | 7 | | 7 | | 7 | |
| 8 | | 8 | | 8 | 21 | 8 | | 8 | | 8 | 97 | 8 | | 8 | | 8 | | 8 | | 8 | 22 | 8 | 32 | 8 | |
| 9 | | 9 | | 9 | 21 | 9 | | 9 | | 9 | 97 | 9 | | 9 | | 9 | | 9 | | 9 | 22 | 9 | | 9 | |
| 10 | | 10 | | 10 | | 10 | | 10 | | 10 | 39 | 10 | | 10 | | 10 | | 10 | | 10 | 22 | 10 | | 10 | |
| 11 | | 11 | | 11 | 19 | 11 | | 11 | | 11 | 39 | 11 | | 11 | | 11 | | 11 | 28, 29 | 11 | 30, 22 | 11 | 32, 39 | 11 | |
| 12 | | 12 | | 12 | | 12 | | 12 | | 12 | 32 | 12 | | 12 | | 12 | | 12 | 29 | 12 | 30 | 12 | 39 | 12 | |
| 13 | | 13 | | 13 | | 13 | | 13 | | 13 | | 13 | | 13 | | 13 | | 13 | | 13 | 30 | 13 | | 13 | |
| 14 | | 14 | | 14 | | 14 | | 14 | | 14 | | 14 | | 14 | | 14 | | 14 | | 14 | 30 | 14 | | 14 | |
| 15 | | 15 | | 15 | | 15 | | 15 | | 15 | | 15 | | 15 | | 15 | | 15 | 28 | 15 | 27 | 15 | 24 | 15 | |
| 16 | | 16 | | 16 | | 16 | | 16 | | 16 | 19 | 16 | | 16 | | 16 | 23 | 16 | | 16 | | 16 | | 16 | |
| 17 | | 17 | | 17 | | 17 | | 17 | 20 | 17 | 19 | 17 | | 17 | | 17 | | 17 | | 17 | | 17 | | 17 | |
| 18 | | 18 | | 18 | | 18 | | 18 | | 18 | 19 | 18 | | 18 | | 18 | | 18 | | 18 | | 18 | | 18 | |
| 19 | | 19 | | 19 | 26 | 19 | | 19 | | 19 | 16 | 19 | | 19 | | 19 | | 19 | | 19 | | 19 | | 19 | |
| 20 | | 20 | | 20 | | 20 | | 20 | | 20 | 16 | 20 | | 20 | | 20 | | 20 | | 20 | | 20 | | 20 | |
| 21 | | 21 | | 21 | | 21 | 20, 29 | 21 | | 21 | 16 | 21 | | 21 | | 21 | | 21 | | 21 | | 21 | | 21 | |
| 22 | | 22 | | 22 | | 22 | 20 | 22 | | 22 | 48 | 22 | 91 | 22 | | 22 | | 22 | | 22 | | 22 | | 22 | |
| 23 | | 23 | | 23 | 19 | 23 | | 23 | | 23 | 48 | 23 | | 23 | | 23 | | 23 | | 23 | | 23 | | 23 | |
| 24 | | 24 | | 24 | | 24 | | 24 | | 24 | 48 | 24 | | 24 | | 24 | | 24 | | 24 | | 24 | | 24 | |
| 25 | | 25 | | 25 | | 25 | | 25 | | 25 | 16 | 25 | | 25 | | 25 | | 25 | | 25 | | 25 | | 25 | |
| 26 | | 26 | | 26 | | 26 | | 26 | 29 | 26 | 16 | 26 | 16 | 26 | | 26 | 17, 23 | 26 | | 26 | | 26 | | 26 | |
| 27 | | 27 | | 27 | | 27 | | 27 | | 27 | 16 | 27 | | 27 | | 27 | 17 | 27 | | 27 | | 27 | | 27 | |
| 28 | | 28 | | 28 | | 28 | | 28 | | 28 | 97 | 28 | | 28 | | 28 | | 28 | | 28 | | 28 | | 28 | |
| 29 | | 29 | | 29 | | 29 | | 29 | | 29 | 97 | 29 | | 29 | | 29 | | 29 | | 29 | | 29 | | 29 | |
| 30 | | 30 | | 30 | | 30 | | 30 | | 30 | 97 | 30 | | 30 | | 30 | | 30 | | 30 | | 30 | | 30 | |
| 31 | | 31 | | 31 | | 31 | | 31 | | 31 | 91 | 31 | | 31 | | 31 | | 31 | | 31 | | 31 | | 31 | |
| 32 | | 32 | | 32 | | 32 | | 32 | | 32 | 91 | 32 | 16, 91 | 32 | | 32 | | 32 | | 32 | | 32 | | 32 | |
| 33 | | 33 | | 33 | 20 | 33 | | 33 | | 33 | 16 | 33 | | 33 | | 33 | | 33 | | 33 | | 33 | | 33 | |
| 34 | | 34 | | 34 | | 34 | | 34 | 20 | 34 | 97 | 34 | | 34 | | 34 | | 34 | | 34 | | 34 | | 34 | |
| 35 | | 35 | | 35 | | 35 | | 35 | | 35 | 32 | 35 | | 35 | | 35 | | 35 | | 35 | | 35 | | 35 | |
| 36 | | 36 | | 36 | | 36 | | 36 | | 36 | 97 | 36 | | 36 | | 36 | | 36 | | 36 | | 36 | | 36 | |
| 37 | | 37 | | 37 | | 37 | | 37 | | 37 | 16 | 37 | 16 | 37 | 17 | 37 | 28 | 37 | | 37 | | 37 | | 37 | |
| 38 | | 38 | | 38 | | 38 | | 38 | | 38 | 32 | 38 | | 38 | | 38 | | 38 | | 38 | | 38 | | 38 | |
| 39 | | 39 | | 39 | | 39 | | 39 | | 39 | 91 | 39 | 23 | 39 | 23 | 39 | | 39 | | 39 | | 39 | | 39 | |
| 40 | | 40 | | 40 | | 40 | | 40 | | 40 | 59 | 40 | 23 | 40 | 23 | 40 | | 40 | | 40 | | 40 | | 40 | |
| 41 | | 41 | | 41 | | 41 | | 41 | | 41 | 59 | 41 | | 41 | | 41 | | 41 | | 41 | | 41 | | 41 | |
| 42 | | 42 | | 42 | | 42 | | 42 | | 42 | 91 | 42 | | 42 | | 42 | | 42 | | 42 | | 42 | | 42 | |
| 43 | | 43 | | 43 | | 43 | | 43 | | 43 | 97 | 43 | | 43 | | 43 | | 43 | | 43 | | 43 | | 43 | |
| 44 | | 44 | | 44 | | 44 | | 44 | | 44 | | 44 | | 44 | | 44 | | 44 | | 44 | | 44 | | 44 | |
| 45 | | 45 | | 45 | | 45 | | 45 | | 45 | | 45 | | 45 | | 45 | | 45 | | 45 | | 45 | | 45 | |
| 46 | | 46 | | 46 | | 46 | | 46 | | 46 | | 46 | | 46 | | 46 | | 46 | | 46 | | 46 | | 46 | |
| 47 | | 47 | | 47 | | 47 | | 47 | | 47 | | 47 | | 47 | | 47 | | 47 | | 47 | | 47 | | 47 | |

169

| | 1 | 2 | 3 | 4 | 5 | 6 | 7 | 8 | 9 | 10 | 11 | 12 | 13 | 14 | 15 | 16 | 17 | 18 | 19 | 20 | 21 | 22 | 23 | 24 | 25 | |
|---|---------------|-----------------------------|------------|------------|------------|----------------------|----------------|----------------|----------------|----------------|--------------------|------------|------------------|-------------------------------------|---------------|-----------------------|---------------------------------|-------------------------|-------------------------|------------------------------|-------------|-------------|-------------|------------------------------|--------------------------------------|---------------------------|
| A | | | Go FK52 | GK52 | P1 FK51 | P3 FK51 | P5 FK51 | P7 FK51 | P9 FK51 | P11 FK51 | P13 FK51 | | Ex FK52 | | Ts GK51 | Tsm FK52 | | | S1 FK52 | S3 FK52 | S5 FK52 | S7 FK52 | S9 FK52 | S11 FK52 | S13 FK52 | |
| | | | Ht | | P2 FK51 | P4 FK51 | P6 FK51 | P8 FK51 | P10 FK51 | P12 FK51 | P14 FK51 | | Ia FK52 | | Wp FK52 | Int FK52 | | | S2 FK52 | S4 FK52 | S6 FK52 | S8 FK52 | S10 FK52 | S12 FK52 | S14 FK52 | |
| B | Sw FK52 | GK52 | GK51 | GK51 | GK51 | IK51 | IK51 | GK51 | GK51 | GK52 | GK51 | FK51 | FK51 | FK51 | FK51 | FK51 | FK51 | FK51 | FK51 | FK51 | FK51 | FK51 | FK51 | GK51 | FK52 | |
| | Oc | | | | | | | | | | | C1 FK51 | C3 FK51 | C5 FK51 | C7 FK51 | C9 FK51 | C11 FK51 | C13 FK51 | C15 FK51 | C17 FK51 | C19 FK51 | C21 FK51 | C23 FK51 | | Cp FK52 | |
| C | CLOCK CK51 | | Sk FK52 | GK51 | GK51 | GK51 | FK52 | FK52 | FK52 | GK52 | IK51 | GK51 | FK52 | FK52 | GK52 | GK51 | GK51 | IK51 | FK52 | FK52 | FK52 | GK51 | GK51 | IK51 | Y BUFFER | |
| | | | Em | | | | Q1 FK52 | Q3 FK52 | Q5 FK52 | | | | F1 FK52 | F2 FK52 | | | | | O1 FK52 | O3 FK52 | O5 FK52 | | | | P9 FK51 | |
| D | | | GK52 | GK52 | FK52 | GK52 | GK51 | FK52 | GK51 | GK52 | IK51 | GK51 | DK51 Amr | GK51 sAw | GK52 sAw | DK51 sAw | FK51 Aw | FK51 Am | FK51 Bw | DK51 sBw | DK51 Bmr | IK51 | DK51 Xmr | DK51 sXw | FK51 Xw | |
| | | | | | | | W13 | W12 | | W11 | W10 | | W9 | W4 | W7 | | Wf | | | | | Wm | R1 | R2 | R3 | |
| E | | | GK51 | IK51 | IK51 | FK52 | FK52 | GK52 | FK52 | FK52 | GK52 | FK52 | FK52 | FK52 | FK52 | GK52 | FK52 | GK51 | IK51 | DK51 | DK51 | FK51 | FK52 | FK52 | FK52 | |
| | | | | | | | W14 | We | | Wo | Wh | | W6 | W5 | W8 | | Rp | | | | | Ww | R6 | R5 | R4 | |
| F | | | | | | | | | | | | | | | | | | | | | | | | | | |
| G | 1 P1 | CONTROL PANEL 2 P2 | 3 P3 | POT P10 | EOM P10 | INTER LACE P10 | AUX 1 P6 | AUX 2 P6 | AUX 3 P6 | AUX 4 P6 | MAG TAPE P14 | PIN P15 | PRI INT P8 | INTERRUPT LOGIC SK55 1 & 2 | SK55 3 & 4 | PHOTO READER P4 | PHOTO READER AMPS HK54 | PHOTO READER IK53 | PHOTO READER RK51 | LOGIC LAMP REG SK56 | | | | START STOP INT SK55 | AUTO START STOP CONN P12 | INTER LACE 2 P11 |

910 MODULE LOCATION CHART

| | 1 | 2 | 3 | 4 | 5 | 6 | 7 | 8 | 9 | 10 | 11 | 12 | 13 | 14 | 15 | 16 | 17 | 18 | 19 | 20 | 21 | 22 | 23 | 24 | 25 | |
|---|-------|---------------|------|------|------------|------|------|------|------|----------|------|------------|-----------------|--------------|-------------------|--------------|----------------|------|------|------|------|----------------|----------------------|------------|------|--------|
| A | | | Go | | P1 | P3 | P5 | P7 | P9 | P11 | P13 | | Ex | | Ts | Tsm | | | S1 | S3 | S5 | S7 | S9 | S11 | S13 | |
| | | | FK52 | GK52 | FK51 | FK51 | FK51 | FK51 | FK51 | FK51 | FK51 | FK51 | IK51 | FK52 | GK51 | FK52 | FK52 | GK51 | IK51 | FK52 | FK52 | FK52 | FK52 | FK52 | FK52 | FK52 |
| B | | | Ht | | P2 | P4 | P6 | P8 | P10 | P12 | P14 | | Ia | | Wp | Int | | | S2 | S4 | S6 | S8 | S10 | S12 | S14 | |
| | Sw | | | | | | | | | | | C0 | C2 | C4 | C6 | C8 | C10 | C12 | C14 | C16 | C18 | C20 | C22 | | C24 | |
| | FK52 | GK52 | GK51 | GK51 | GK51 | IK51 | IK51 | GK51 | GK51 | GK52 | GK51 | FK51 | FK51 | FK51 | FK51 | FK51 | FK51 | FK51 | FK51 | FK51 | FK51 | FK51 | FK51 | FK51 | GK51 | FK52 |
| C | Oc | | | | | | | | | | | C1 | C3 | C5 | C7 | C9 | C11 | C13 | C15 | C17 | C19 | C21 | C23 | | Cp | |
| | CLOCK | | Sk | | | | Q1 | Q3 | Q5 | | | F1 | F2 | | | | | | O1 | O3 | O5 | | | | Y | BUFFER |
| | CK54 | CK53 | FK52 | GK51 | GK51 | GK51 | FK52 | FK52 | FK52 | GK52 | IK51 | GK51 | FK52 | FK52 | GK52 | GK51 | GK51 | IK51 | FK52 | FK52 | FK52 | GK51 | GK51 | IK51 | | |
| D | | | Em | | | | Q2 | Q4 | Q6 | | | F3 | Rf | | | | | O2 | O4 | O6 | | | | | P9 | |
| | | | | | Po | | | Ix | | | | | | | | | Ar | Bm | Br | | | | | | | Xm |
| | | | GK52 | GK52 | FK52 | GK52 | GK51 | FK52 | GK51 | GK52 | IK51 | GK51 | DK51 | GK51 | GK52 | DK51 | FK51 | FK51 | FK51 | DK51 | DK51 | IK51 | DK51 | DK51 | FK51 | FK51 |
| E | | | | | OF | | | Cz | | | | Amr | sAw | sAw | sAw | | Aw | Am | Bw | | | | | | Xw | |
| | | | | | | | W13 | W12 | | W11 | W10 | | W9 | W4 | W7 | | Wf | | | | | Wm | R1 | R2 | R3 | |
| | | | | GK51 | IK51 | IK51 | FK52 | FK52 | GK52 | FK52 | FK52 | GK52 | FK52 | FK52 | FK52 | GK52 | FK52 | GK51 | IK51 | DK51 | DK51 | FK51 | FK52 | FK52 | FK52 | FK52 |
| F | | | | | | | W14 | We | | Wo | Wh | | W6 | W5 | W8 | | Rp | | | | | Ww | R6 | R5 | R4 | |
| | | | | | | | | | | | | | | | | | | | | | | | | | | |
| G | | | | | | | | | | | | | | | | | | | | | | | | | | |
| | 1 | CONTROL PANEL | POT | EOM | INTER LACE | AUX | AUX | AUX | AUX | MAG TAPE | PIN | PRI INT | INTERRUPT LOGIC | PHOTO READER | PHOTO READER AMPS | PHOTO READER | LOGIC LAMP REG | | | | | START STOP INT | AUTO START STOP CONN | INTER LACE | | |
| | 2 | 3 | | 1 | 1 | 2 | 3 | 4 | 1 | | | SK55 1 & 2 | SK55 3 & 4 | HK54 | IK53 | RK51 | SK56 | | | | SK55 | | 2 | | | |
| | P1 | P2 | P3 | P10 | P10 | P6 | P6 | P6 | P6 | P14 | P15 | P8 | | P4 | | | | | | | | P12 | P11 | | | |

910 MODULE LOCATION CHART

| | 1 | 2 | 3 | 4 | 5 | 6 | 7 | 8 | 9 | 10 | 11 | 12 | 13 | 14 | 15 | 16 | 17 | 18 | 19 | 20 | 21 | 22 | 23 | 24 | 25 | | |
|---|---------------|-----------------------------|------------|------------|------------|----------------------|----------------|----------------|----------------|----------------|-------------------------|------------|------------------|-------------------------------------|---------------|-----------------------|---------------------------------|-------------------------|----------------|------------------------------|-------------|------------|-------------|------------------------------|--------------------------------------|---------------------------|---|
| A | | | Go FK52 | GK52 | P1 FK51 | P3 FK51 | P5 FK51 | P7 FK51 | P9 FK51 | P11 FK51 | P14 FK51 | | Ex IK51 | | Ts FK52 | Tsm FK52 | | | S1 FK52 | S3 FK52 | S5 FK52 | S7 FK52 | S9 FK52 | S11 FK52 | S13 FK52 | A | |
| | | | Ht | | P2 | P4 | P6 | P8 | P10 | P12 | P12 | | Id | | Wp | Int | | | S2 | S4 | S6 | S8 | S10 | S12 | S14 | | |
| B | Sw FK52 | GK52 | GK51 | GK51 | GK51 | IK51 | IK51 | GK51 | GK51 | GK52 | GK51 | FK51 | FK51 | FK51 | FK51 | FK51 | FK51 | FK51 | FK51 | FK51 | FK51 | FK51 | FK51 | GK51 | FK52 | B | |
| | Oc | | | | | | | | | | | C1 | C3 | C5 | C7 | C9 | C11 | C13 | C15 | C17 | C19 | C21 | C23 | | Cp | | |
| C | CLOCK CK54 | CK53 | Sk FK52 | GK51 | GK51 | GK51 | FK52 | FK52 | FK52 | GK52 | IK51 | GK51 | FK52 | FK52 | GK52 | GK51 | GK51 | IK51 | FK52 | FK52 | FK52 | GK51 | GK51 | IK51 | Y BUFFER P9 | C | |
| | | | Em | | | | Q1 FK52 | Q3 FK52 | Q5 FK52 | | | | F1 FK52 | F2 FK52 | | | | | O1 FK52 | O3 FK52 | O5 FK52 | | | | | | |
| D | | | GK52 | GK52 | Po FK52 | GK52 | GK51 | GK52 | GK51 | GK52 | IK51 | GK51 | PK51 Amr | GK51 sAw | GK52 sAw | DK51 sAw | FK51 | FK51 | FK51 | DK51 sBw | DK51 Bmr | IK51 | DK51 Xmr | DK51 sXw | FK51 | Xm Xw | D |
| | | | | | | | W13 | W12 | | W11 | W10 | | W9 | W4 | W7 | | Wf | | | | | | Wm | R1 | R2 | R3 | |
| E | | | GK51 | IK51 | IK51 | FK52 | FK52 | GK52 | FK52 | FK52 | GK52 | FK52 | FK52 | FK52 | FK52 | GK52 | FK52 | GK51 | IK51 | DK51 | DK51 | FK51 | FK52 | FK52 | FK52 | E | |
| | | | | | | | W14 | We | | Wo | Wh | | W6 | W5 | W8 | | Rp | | | | | | Wm | R6 | R5 | R4 | |
| F | | | | | | | | | | | | | | | | | | | | | | | | | | F | |
| G | 1 P1 | CONTROL PANEL 2 P2 | 3 P3 | POT P10 | EOM P10 | INTER LACE P10 | AUX 1 P6 | AUX 2 P6 | AUX 3 P6 | AUX 4 P6 | MAG TAPE 1 P14 | PIN P15 | PRI INT P8 | INTERRUPT LOGIC SK55 1 & 2 | SK55 3 & 4 | PHOTO READER P4 | PHOTO READER AMPS HK54 | PHOTO READER IK53 | READER RK51 | LOGIC LAMP REG SK56 | | | | START STOP INT SK55 | AUTO START STOP CONN P12 | INTER LACE 2 P11 | G |

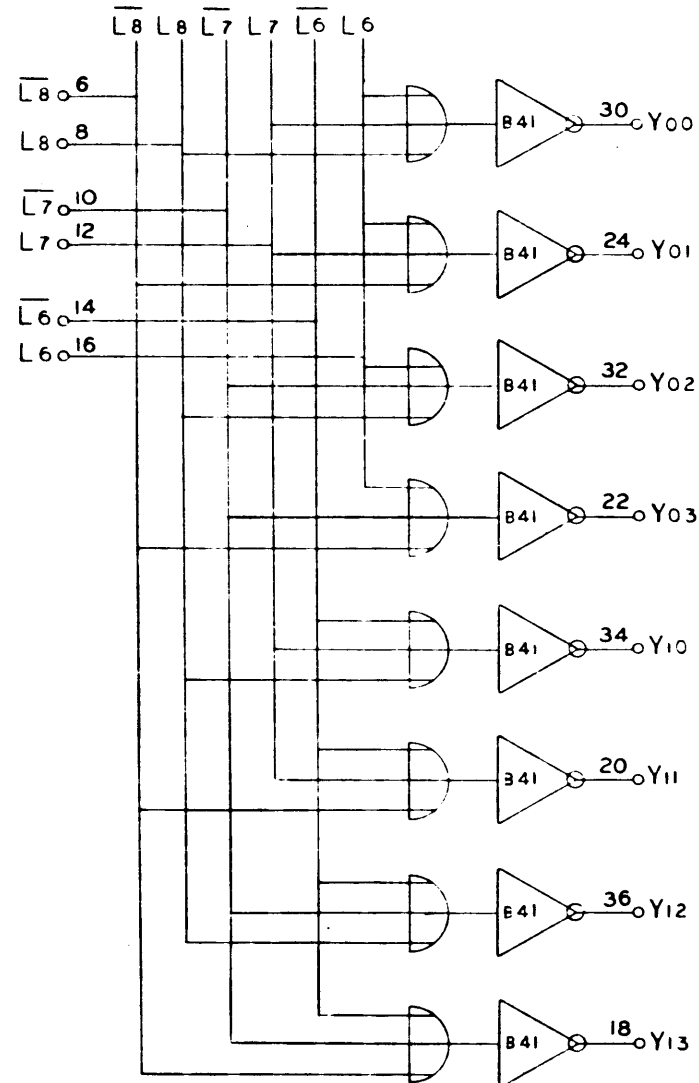
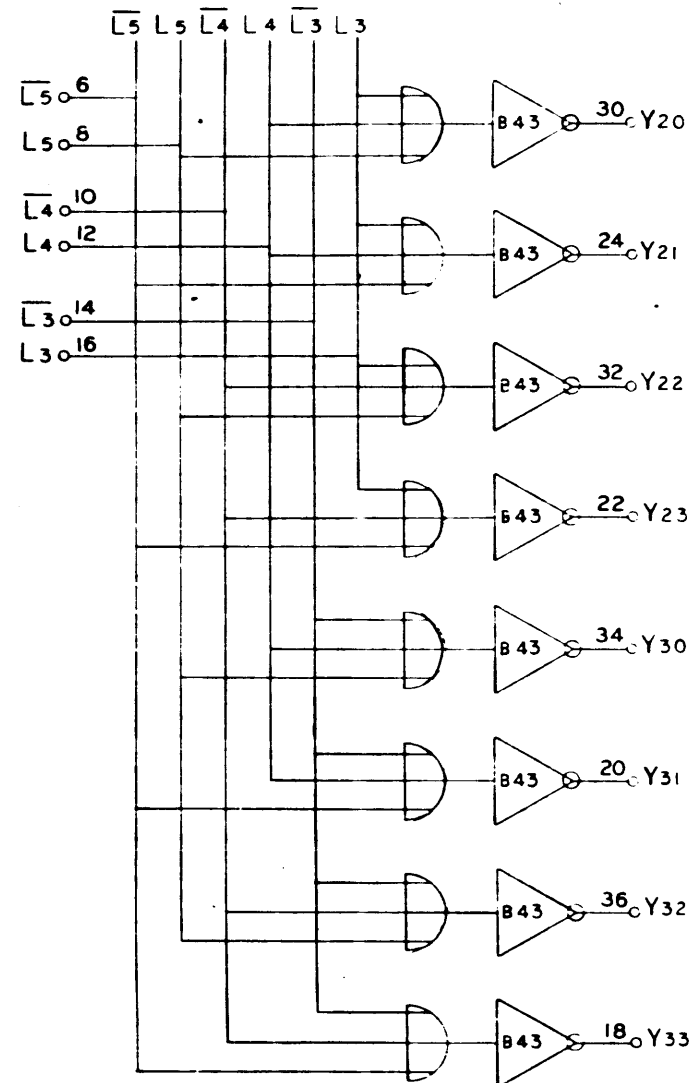
17

| | 26 | 27 | 28 | 29 | 30 | 31 | 32 | 33 | 34 | 35 | 36 | 37 | 38 | 39 | 40 | 41 | 42 | 43 | 44 | 45 | | | |
|---|-----------|-----------|-----------|--------------------|------------------|------------------|------------------|------------------|-------------------|---------------------|-----------|--------------------|--------------------|--------------------|-----------|--------------------|--------------------|--------------------|------|------|------|------|---|
| A | GK51 | GK51 | IK51 | M0 FK52 Mg | M2 FK52 M1 | M4 FK52 M3 | M6 FK52 M5 | M8 FK52 M7 | M10 FK52 M9 | M12 FK52 M11 | | M14 FK52 M13 | M16 FK52 M15 | M18 FK52 M17 | | M20 FK52 M19 | M22 FK52 M21 | M24 FK52 M23 | | | SK54 | A | |
| B | | SK53 | | SK51 or SK52 | x QK51 | x QK51 | y QK51 | y QK51 | x QK51 | x QK51 | y QK51 | y QK51 | | | | | | | | | | | B |
| C | Z HK52 | Z HK52 | Z HK52 | M HK52 | E HK52 | M HK52 | O TB32 | R HK52 | Y HK52 | - MEMORY CONN | S HK52 | T HK52 | A HK52 | C HK52 | K HK52 | AK51 | AK51 | AK51 | AK51 | AK51 | AK51 | AK51 | C |
| D | Z HK52 | Z HK52 | Z HK52 | M HK52 | E HK52 | M HK52 | O TB32 | R HK52 | Y HK52 | - MEMORY CONN | S HK52 | T HK52 | A HK52 | C HK52 | K HK52 | AK51 | AK51 | AK51 | AK51 | AK51 | AK51 | AK51 | D |
| E | Z HK52 | Z HK52 | Z HK52 | M HK52 | E HK52 | M HK52 | O TB32 | R HK52 | Y HK52 | - MEMORY CONN | S HK52 | T HK52 | A HK52 | C HK52 | K HK52 | AK51 | AK51 | AK51 | AK51 | AK51 | AK51 | AK51 | E |
| F | Z HK52 | Z HK52 | Z HK52 | M HK52 | E HK52 | M HK52 | O TB32 | R HK52 | Y HK52 | - MEMORY CONN | S HK52 | T HK52 | A HK52 | C HK52 | K HK52 | AK51 | AK51 | AK51 | AK51 | AK51 | AK51 | AK51 | F |
| G | | | | | | | | | | | | | | | | | | | | | | G | |

910-920 MODULE & MEMORY LOCATION CHART

| | 26 | 27 | 28 | 29 | 30 | 31 | 32 | 33 | 34 | 35 | 36 | 37 | 38 | 39 | 40 | 41 | 42 | 43 | 44 | 45 | | | |
|---|-----------|-----------|-----------|------------|------------|------------|------------|------------|-------------------|-------------|-----------|-------------|-------------|-------------|------|-------------|-------------|-------------|------------|------------|------------|---|---|
| A | GK51 | GK51 | IK51 | M0 FK52 | M2 FK52 | M4 FK52 | M6 FK52 | M8 FK52 | M10 FK52 | M12 FK52 | IK51 | M14 FK52 | M16 FK52 | M18 FK52 | IK51 | M20 FK52 | M22 FK52 | M24 FK52 | | SK57 | | A | |
| | | | | Mg | M1 | M3 | M5 | M7 | M9 | M11 | | M13 | M15 | M17 | | M19 | M21 | M23 | | | | | |
| B | | SK53 | | SK58 | X QK53 | X QK53 | Y QK53 | Y QK53 | X QK53 | X QK53 | Y QK53 | Y QK53 | | | | | | | | HK51 | HK51 | | B |
| C | Z HK52 | Z HK52 | Z HK52 | M | E | M | O TB-32 | R | Y Memory Conn. | - | S | T | A | C | K | | Md HK59 | Md HK59 | Md HK59 | Md HK59 | Md HK59 | | C |
| D | Z HK52 | Z HK52 | Z HK52 | M | E | M | O TB-32 | R | Y Memory Conn. | - | S | T | A | C | K | | Md HK59 | Md HK59 | Md HK59 | Md HK59 | Md HK59 | | D |
| E | Z HK52 | Z HK52 | Z HK52 | M | E | M | O TB-32 | R | Y Memory Conn. | - | S | T | A | C | K | | Md HK59 | Md HK59 | Md HK59 | Md HK59 | Md HK59 | | E |
| F | Z HK52 | Z HK52 | Z HK52 | M | E | M | O TB-32 | R | Y Memory Conn. | - | S | T | A | C | K | | Md HK59 | Md HK59 | Md HK59 | Md HK59 | Md HK59 | | F |
| G | | | | | | | | | | | | | | | | | | | | | | G | |

| REVISIONS | | | | |
|-----------|-----------------|-----|------|----------|
| REV | DESCRIPTION | CHK | DATE | APPROVED |
| A | RELEASED TO MFG | | | |

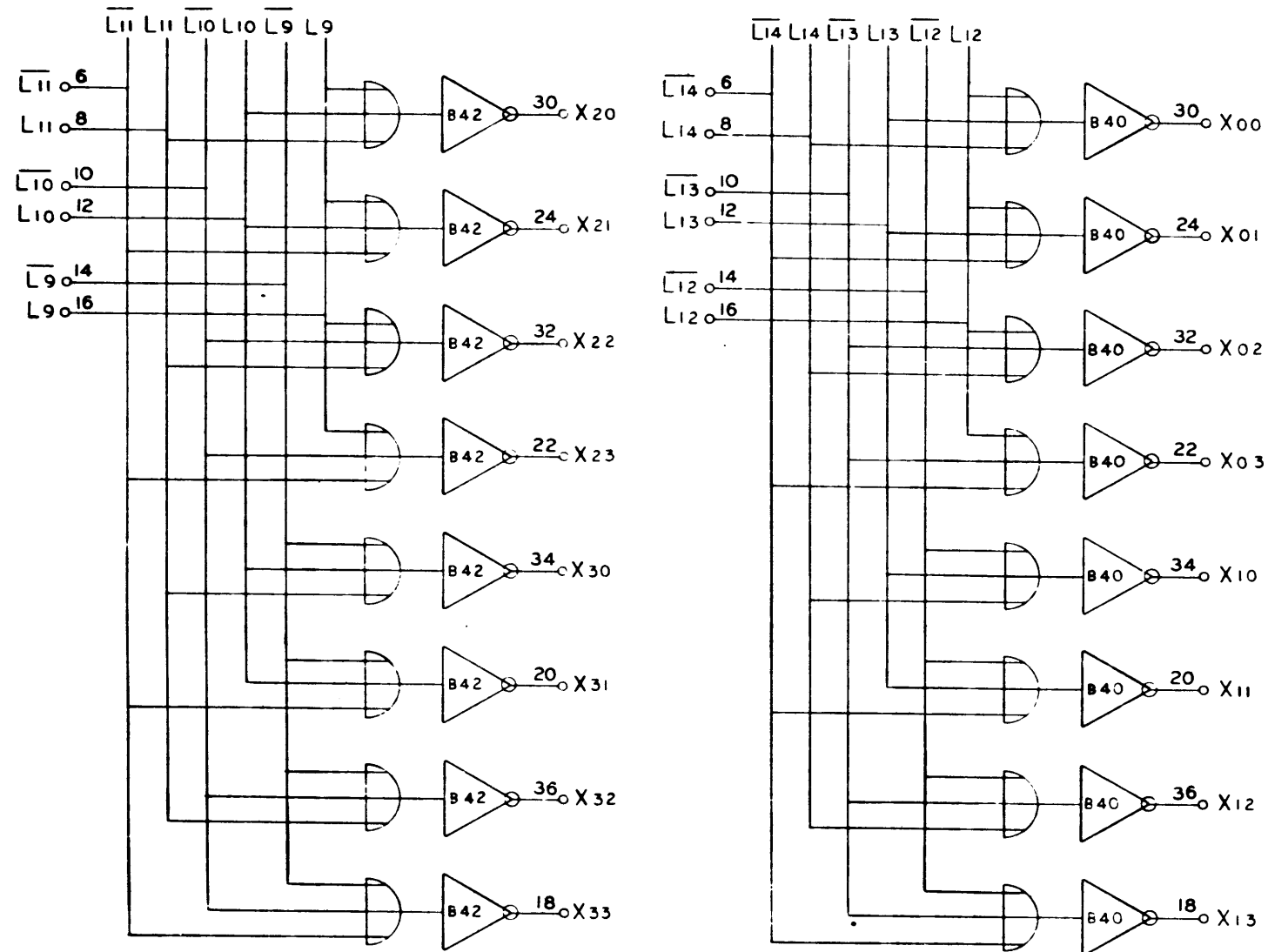


Address Decode
910-920
Page 115

177

| NO. REQ. | DRAWING NO. | DESCRIPTION | REFERENCE DESIGNATION | ITEM NO. |
|---|-------------|---|-----------------------|----------|
| MATERIAL LIST | | | | |
| NOTES UNLESS SPECIFIED | | DRAWN | CHECK | DATE |
| 1. TOLERANCES JE ± 0.004 AS ± 0.010 | | APPR | | |
| 2. BREAK ALL SHARP EDGES BY APPROX | | | | |
| 3. HATCH SURFACES | | | | |
| 4. ALL DIM. IN INCHES | | | | |
| | | | | |
| | | 1545 FIFTEENTH STREET, SANTA MONICA, CALIFORNIA | | |
| | | TITLE DIAGRAM, LOGIC, COMPUTER | | |
| MODEL NO. | | SIZE | DWG. NO. | |
| NEXT ASSY. | | D | 101702 | A |
| | | SCALE | DO NOT SCALE DRAWING | SHEET |

| REVISIONS | | | |
|-----------|-----------------|-----|------|
| REV | DESCRIPTION | CHK | DATE |
| A | RELEASED TO MFG | | |



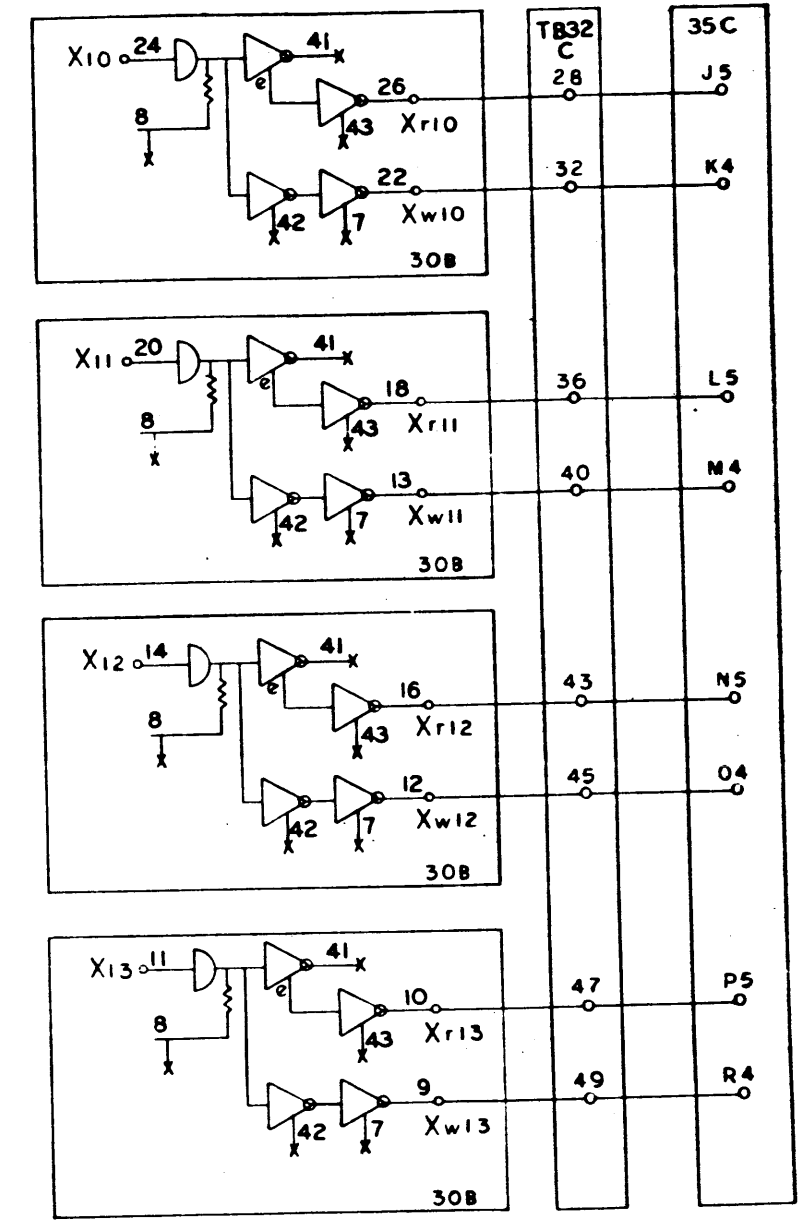
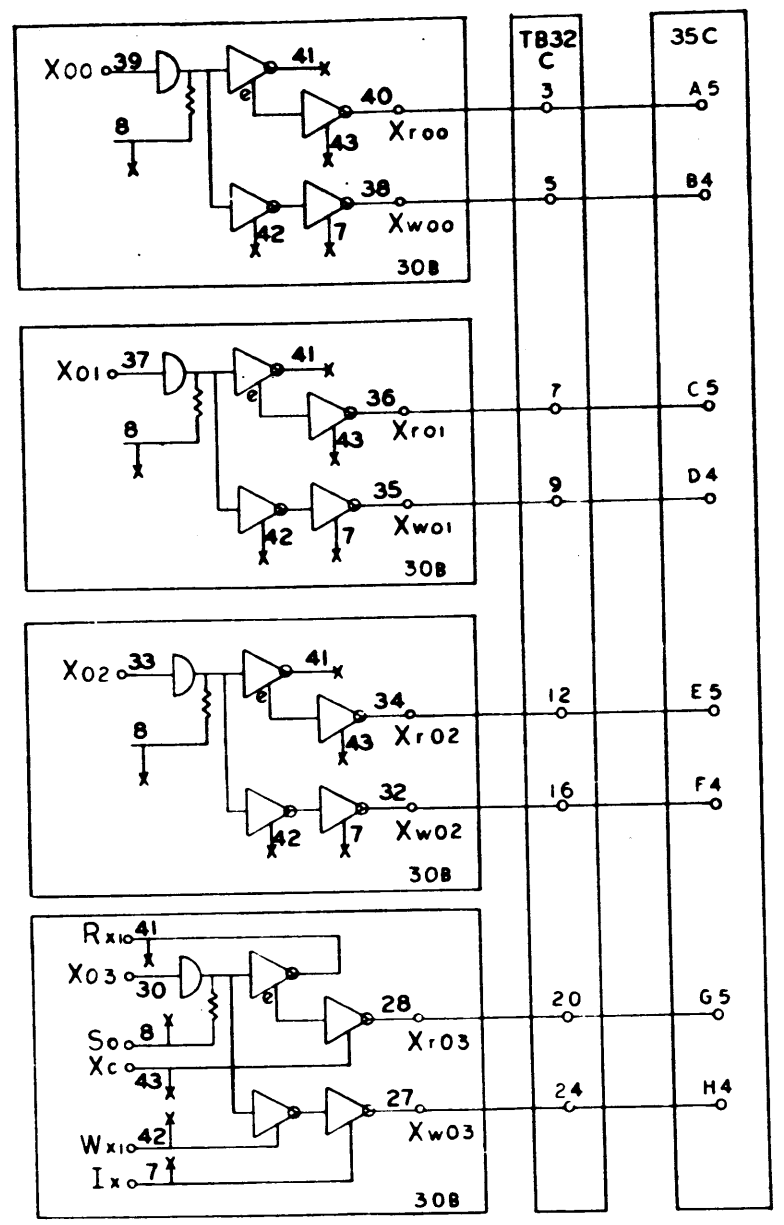
Address Decode
910-920
Page 116

178

101702 A

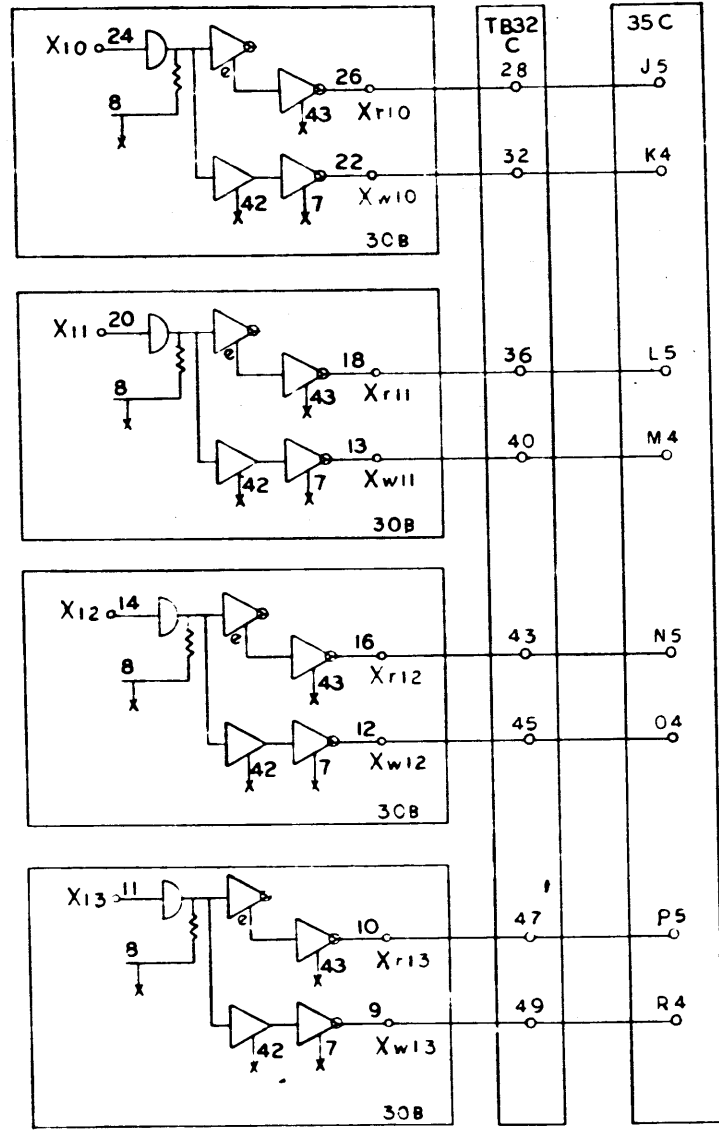
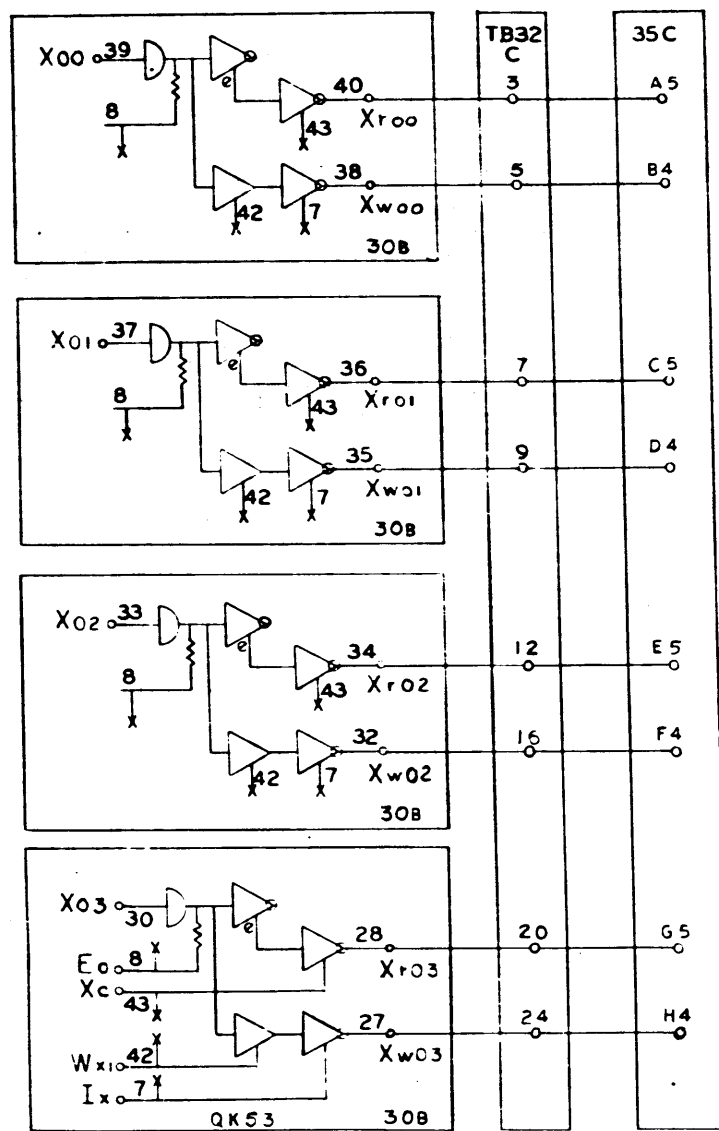
| NO. REV. | DRAWING NO. | DESCRIPTION | REFERENCE DESIGNATION | ITEM NO. |
|---|-------------|--------------------------------------|--|----------|
| MATERIAL LIST | | | | |
| NOTES UNLESS SPECIFIED | | DRAWN | SDS SCIENTIFIC DATA SYSTEMS 1545 FIFTEENTH STREET SANTA MONICA, CALIFORNIA | |
| 1. TOLERANCES .05 ±.008 ANGULAR .002 ±.010 2 1/2° | | CHECK | | |
| 2. BREAK ALL SHARP EDGES .010 APPROX. | | APPR. | | |
| 3. MACH. SURFACES ✓ 4. ALL DIM. IN INCHES | | TITLE DIAGRAM, LOGIC, COMPUTER | | |
| MODEL NO. | | SIZE | | DWG NO. |
| NEXT ASSY. | | D | | 101702 A |
| SCALE | | DO NOT SCALE DRAWING | | SHEET |

177



DIAGRAM, LOGIC,
COMPUTER DWG. NO. 101702

| REV | | DESCRIPTION | | CHE | DATE | APPROVED |
|-----|--|---------------|--|-----|------|----------|
| C | | SEE REV. E.O. | | | | |



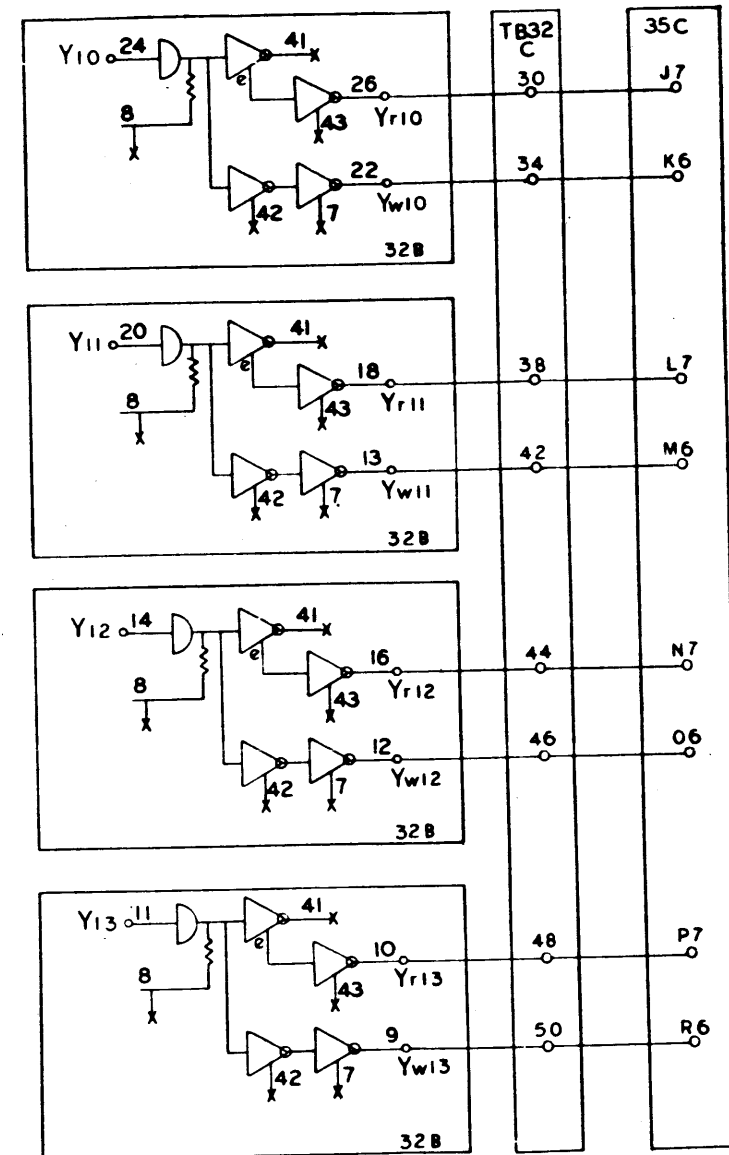
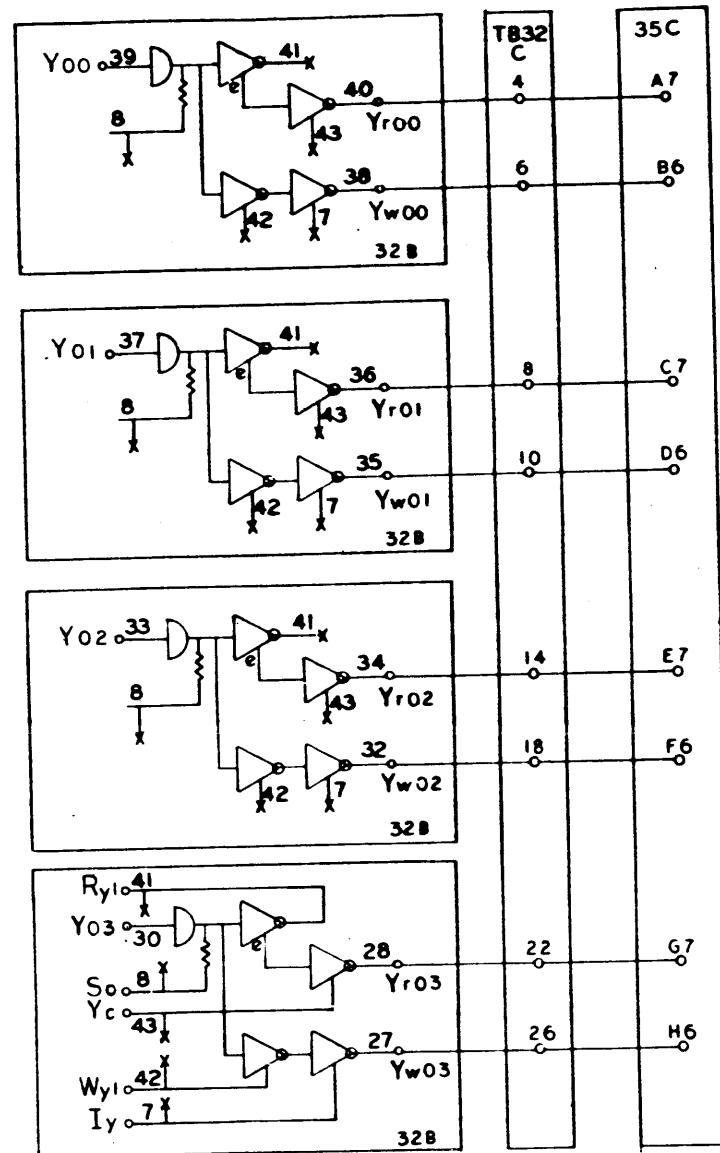
X-Y Selector
910-920
Page 117
C

180

101702 | C |

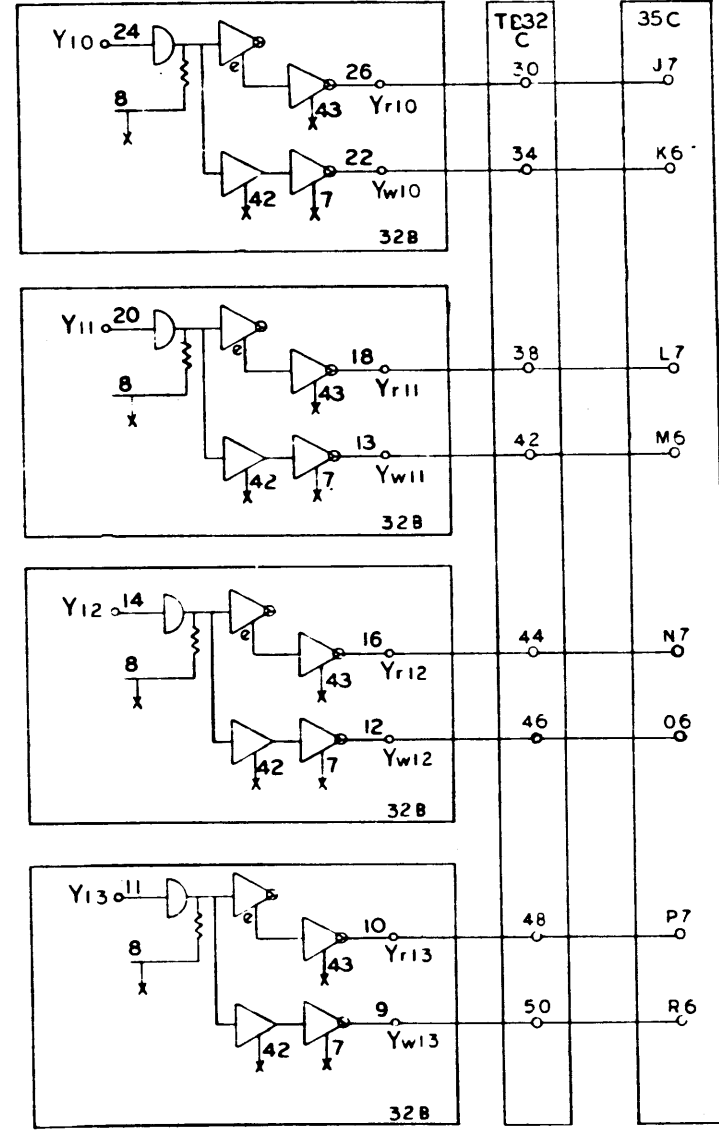
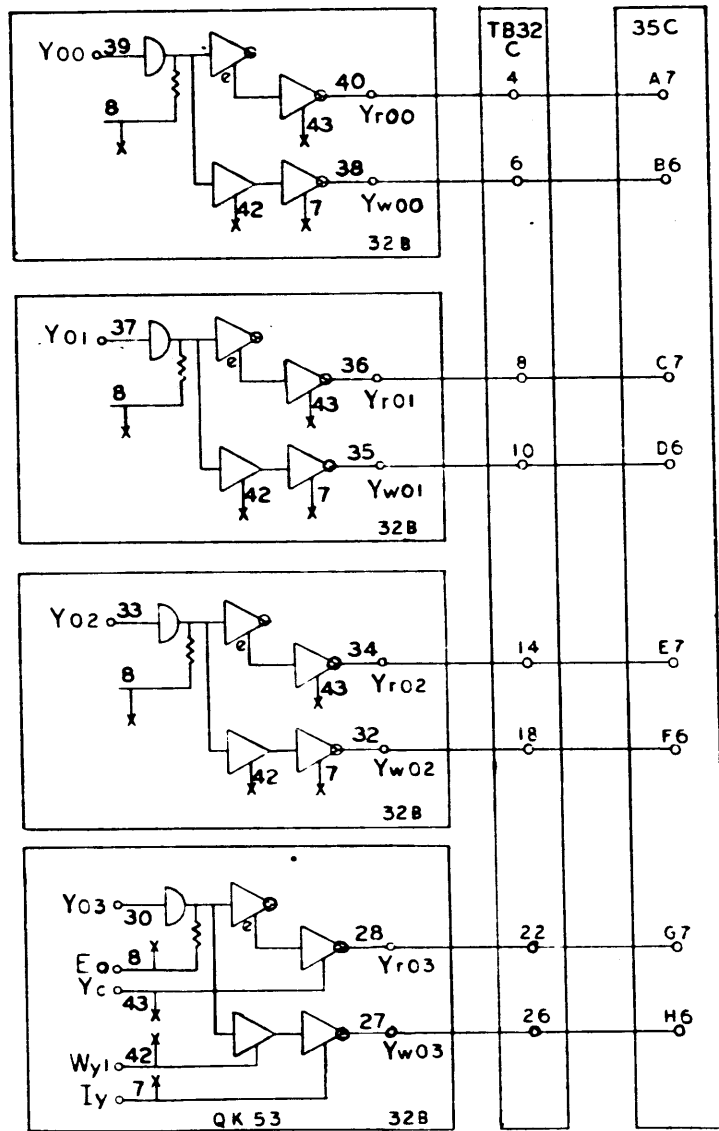
| NO. REQ. | DRAWING NO. | DESCRIPTION | REFERENCE DESIGNATION | ITEM NO. | | | | | | | | | | | | | | | | | | | | | | | | | |
|---|-------------|--|-----------------------|----------|---|-------|--|------|--|--|-------|------|------|----------|--|------|-----|------|--------|-------------------|--|----------------------------|--|--|-----------------------|--|--|--|--|
| <table border="1"> <tr> <td>NOTES UNLESS SPECIFIED</td> <td>DRAWN</td> <td>DEF</td> <td>1-23</td> <td></td> </tr> <tr> <td>1. TOLERANCES 2. UNLESS OTHERWISE SPECIFIED</td> <td>CHECK</td> <td>DEF</td> <td>1-23</td> <td></td> </tr> <tr> <td>3. BREAK ALL SHARP EDGES 4. 90° APPROX.</td> <td>APPR</td> <td>DEF</td> <td>1-23</td> <td></td> </tr> <tr> <td>5. MACH. SURFACES</td> <td></td> <td></td> <td></td> <td></td> </tr> <tr> <td>6. ALL DIM. IN INCHES</td> <td></td> <td></td> <td></td> <td></td> </tr> </table> | | | | | NOTES UNLESS SPECIFIED | DRAWN | DEF | 1-23 | | 1. TOLERANCES 2. UNLESS OTHERWISE SPECIFIED | CHECK | DEF | 1-23 | | 3. BREAK ALL SHARP EDGES 4. 90° APPROX. | APPR | DEF | 1-23 | | 5. MACH. SURFACES | | | | | 6. ALL DIM. IN INCHES | | | | |
| NOTES UNLESS SPECIFIED | DRAWN | DEF | 1-23 | | | | | | | | | | | | | | | | | | | | | | | | | | |
| 1. TOLERANCES 2. UNLESS OTHERWISE SPECIFIED | CHECK | DEF | 1-23 | | | | | | | | | | | | | | | | | | | | | | | | | | |
| 3. BREAK ALL SHARP EDGES 4. 90° APPROX. | APPR | DEF | 1-23 | | | | | | | | | | | | | | | | | | | | | | | | | | |
| 5. MACH. SURFACES | | | | | | | | | | | | | | | | | | | | | | | | | | | | | |
| 6. ALL DIM. IN INCHES | | | | | | | | | | | | | | | | | | | | | | | | | | | | | |
| <table border="1"> <tr> <td colspan="2"> SDS SCIENTIFIC DATA SYSTEMS 1522 FIFTEENTH STREET, SANTA MONICA, CALIFORNIA </td> <td colspan="3"> TITLE DIAGRAM, LOGIC COMPUTER </td> </tr> <tr> <td>MODEL NO.</td> <td>910</td> <td>SIZE</td> <td>D</td> <td>DRWG NO.</td> </tr> <tr> <td>NEXT ASSY.</td> <td></td> <td></td> <td></td> <td>101702</td> </tr> <tr> <td colspan="2">SCALE</td> <td colspan="3">DO NOT SCALE DRAWING SHEET</td> </tr> </table> | | | | | SDS SCIENTIFIC DATA SYSTEMS 1522 FIFTEENTH STREET, SANTA MONICA, CALIFORNIA | | TITLE DIAGRAM, LOGIC COMPUTER | | | MODEL NO. | 910 | SIZE | D | DRWG NO. | NEXT ASSY. | | | | 101702 | SCALE | | DO NOT SCALE DRAWING SHEET | | | | | | | |
| SDS SCIENTIFIC DATA SYSTEMS 1522 FIFTEENTH STREET, SANTA MONICA, CALIFORNIA | | TITLE DIAGRAM, LOGIC COMPUTER | | | | | | | | | | | | | | | | | | | | | | | | | | | |
| MODEL NO. | 910 | SIZE | D | DRWG NO. | | | | | | | | | | | | | | | | | | | | | | | | | |
| NEXT ASSY. | | | | 101702 | | | | | | | | | | | | | | | | | | | | | | | | | |
| SCALE | | DO NOT SCALE DRAWING SHEET | | | | | | | | | | | | | | | | | | | | | | | | | | | |

181



DIAGRAM, LOGIC,
COMPUTER DWG. NO. 101702

| REVISIONS | | | | 101702 |
|-----------|---------------|------|------|----------|
| REV. | DESCRIPTION | CHK. | DATE | APPROVED |
| C | SET REV. E.O. | | | |



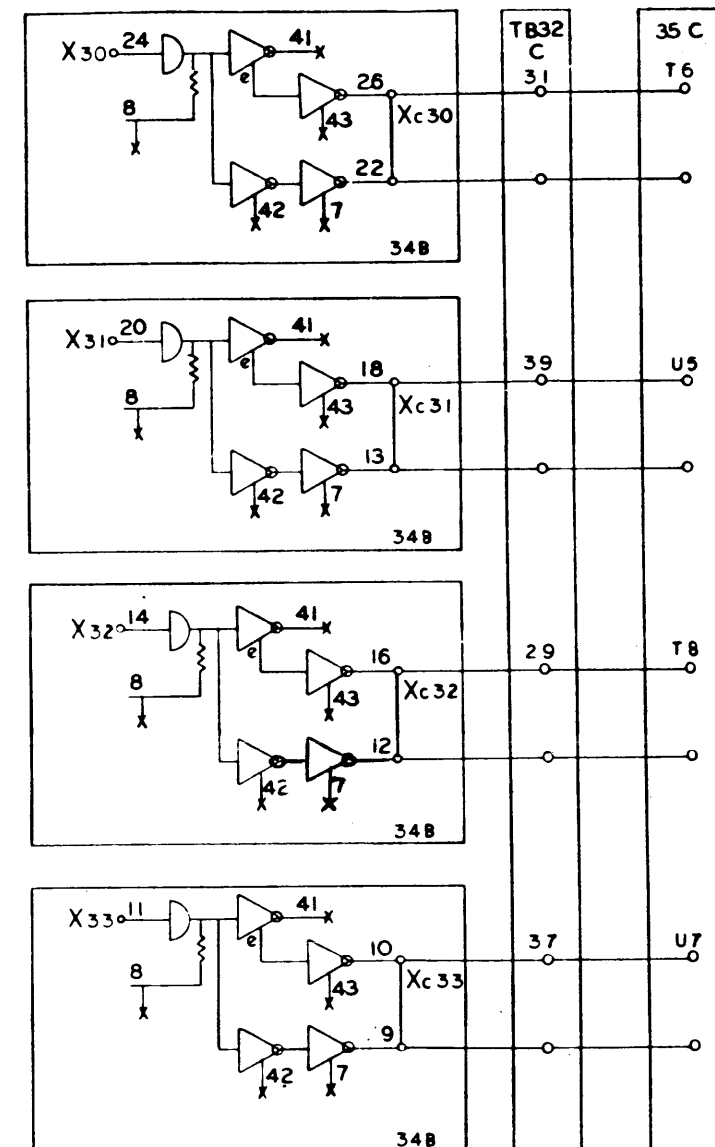
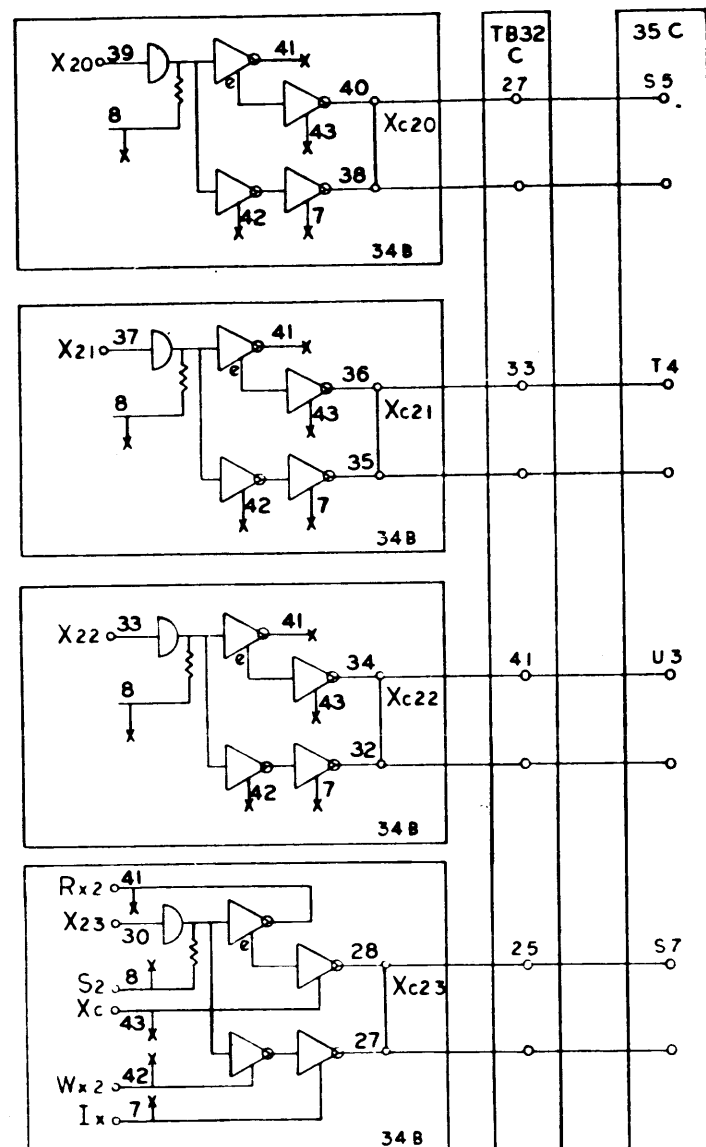
X-Y Selector
910-920
Page 118
C

182

101702 C

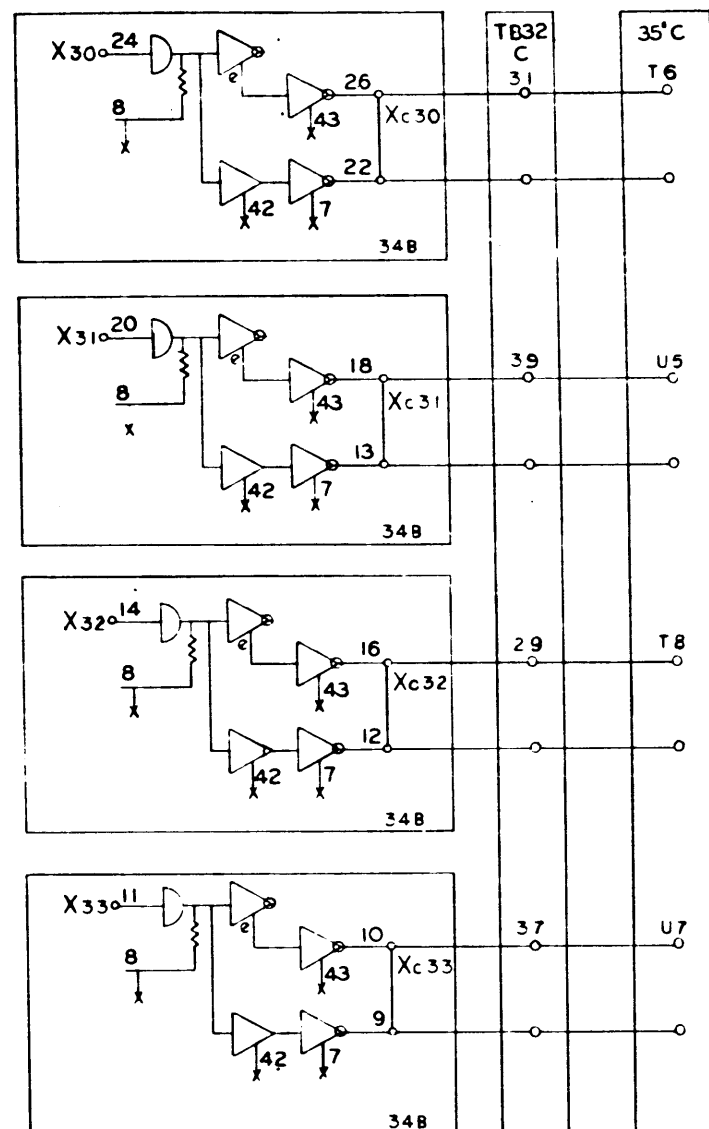
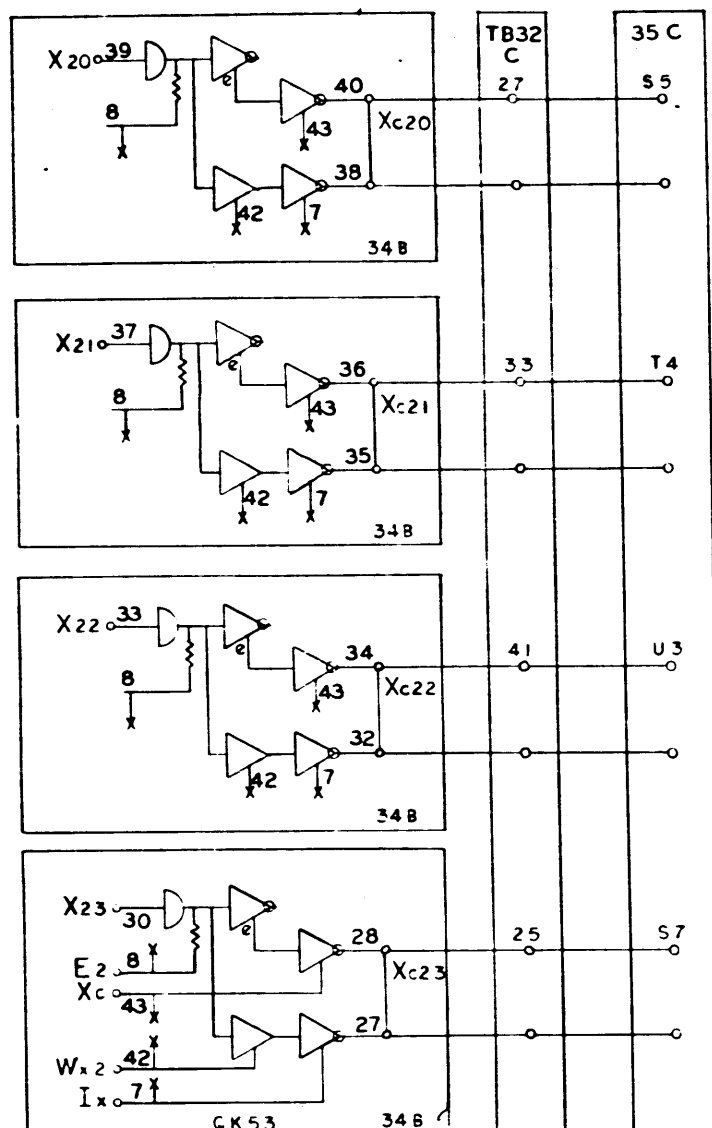
| NO. REV. | DRAWING NO. | DESCRIPTION | REFERENCE DESIGNATION | ITEM NO. |
|---|-------------|-------------|-----------------------|----------|
| NOTES UNLESS SPECIFIED | | | | |
| 1. TOLERANCES DIM ± .010 ANGULAR ± .1° | | DRAWN | DET | |
| 2. BREAK ALL SHARP EDGES ON APPROX. | | CHECK | | |
| 3. HATCH SURFACES | | APPR | | |
| 4. ALL DIM. IN INCHES | | | | |
| MATERIAL LIST | | | | |
| | | | | |
| 1542 FIFTEENTH STREET, SANTA MONICA, CALIFORNIA | | | | |
| TITLE | | | | |
| DIAGRAM, LOGIC COMPUTER | | | | |
| MODEL NO. | | DWS NO. | | |
| 910 | | D 101702 | | C |
| NEXT ASSY. | | | | |
| SCALE | | | | |
| DO NOT SCALE DRAWING SHEET | | | | |

183



DIAGRAM, LOGIC,
COMPUTER DWG. NO. 101702

| REV. NO. | | DESCRIPTION | | CHK | DATE | APPROVED |
|----------|--|---------------|--|-----|------|----------|
| C | | SEE REV. E.O. | | | | |



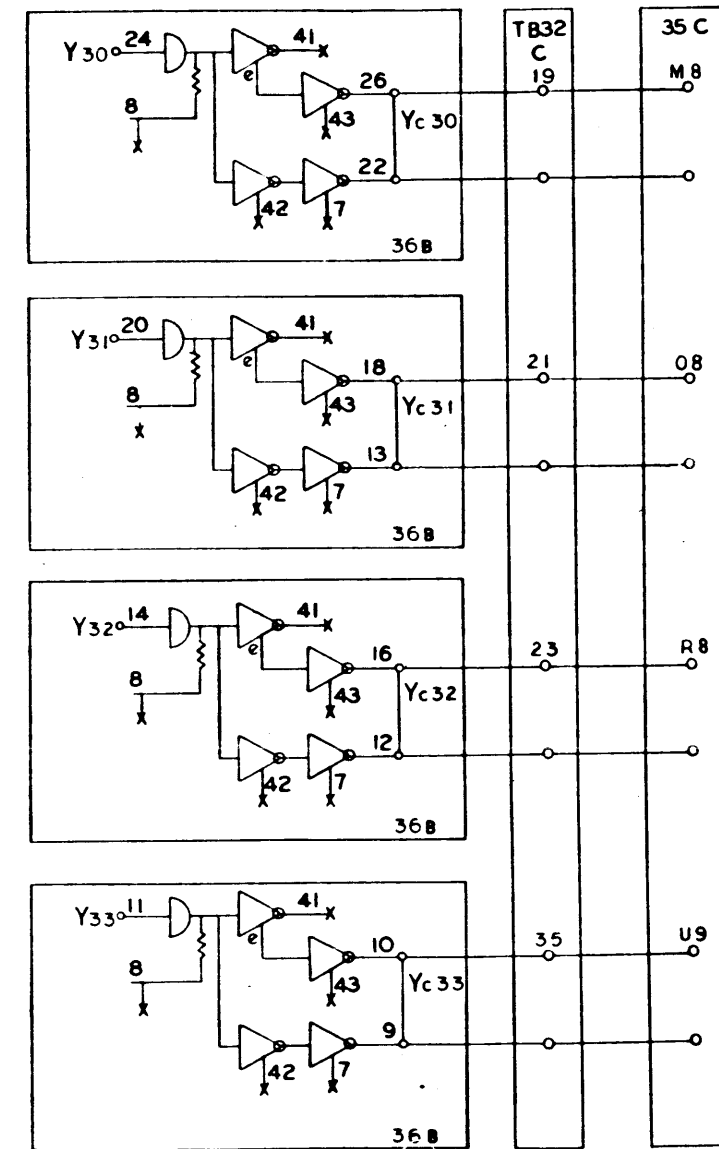
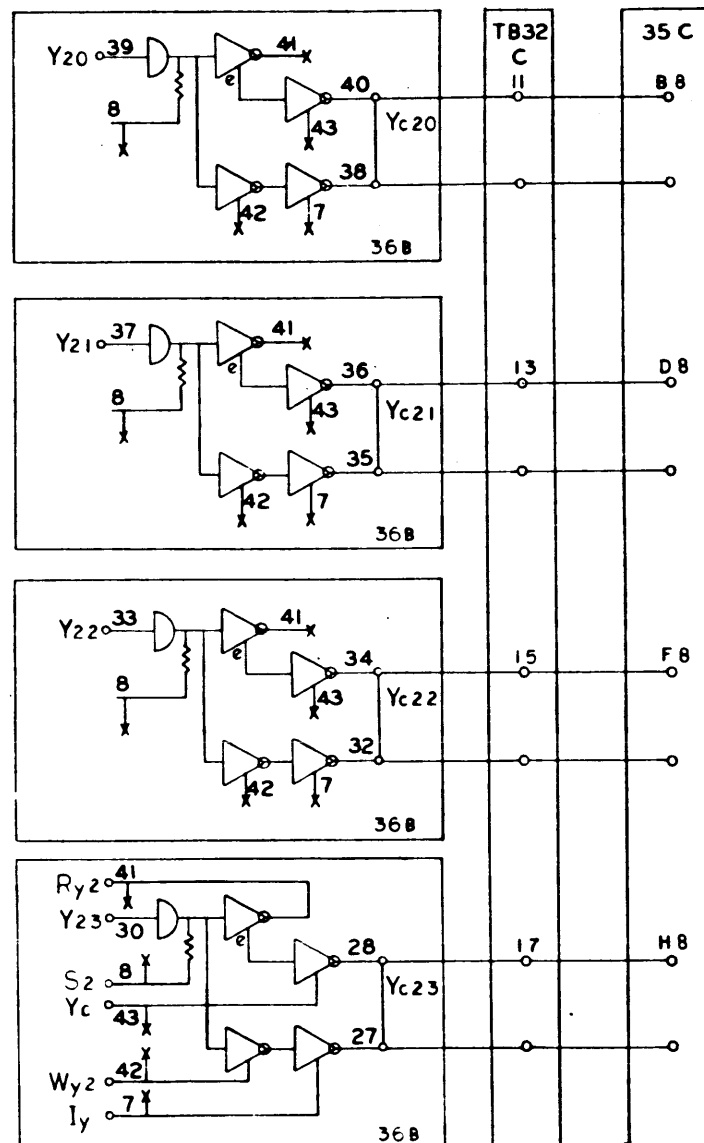
X-Y Selector
910-920
Page 119
C

184

101702 | C

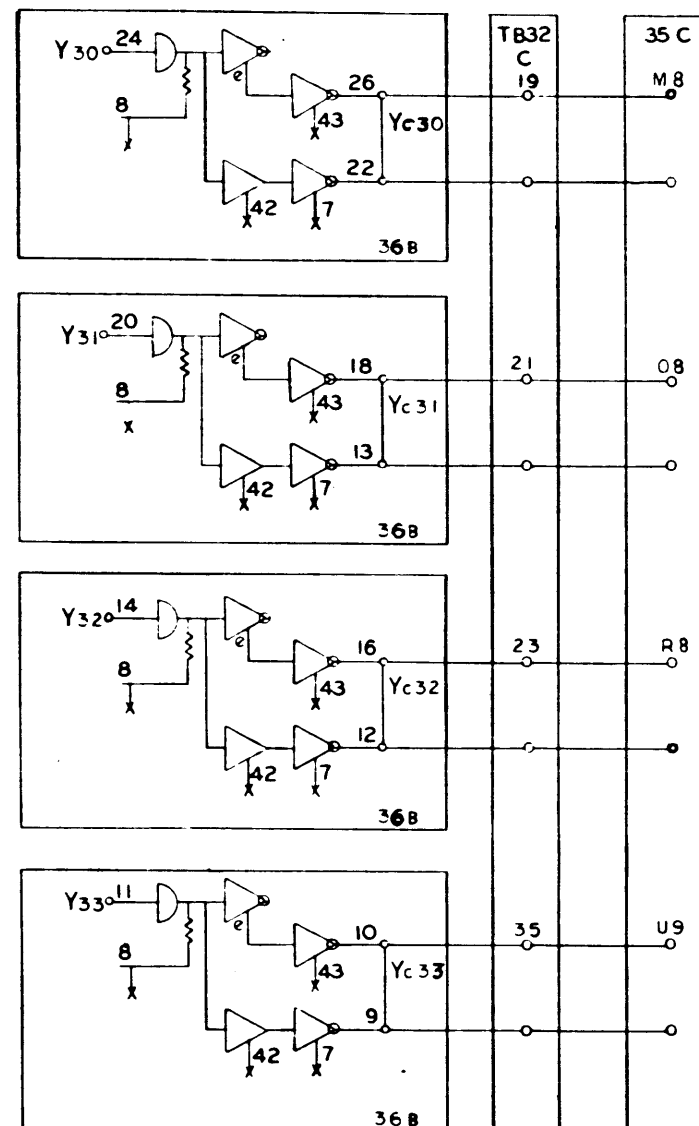
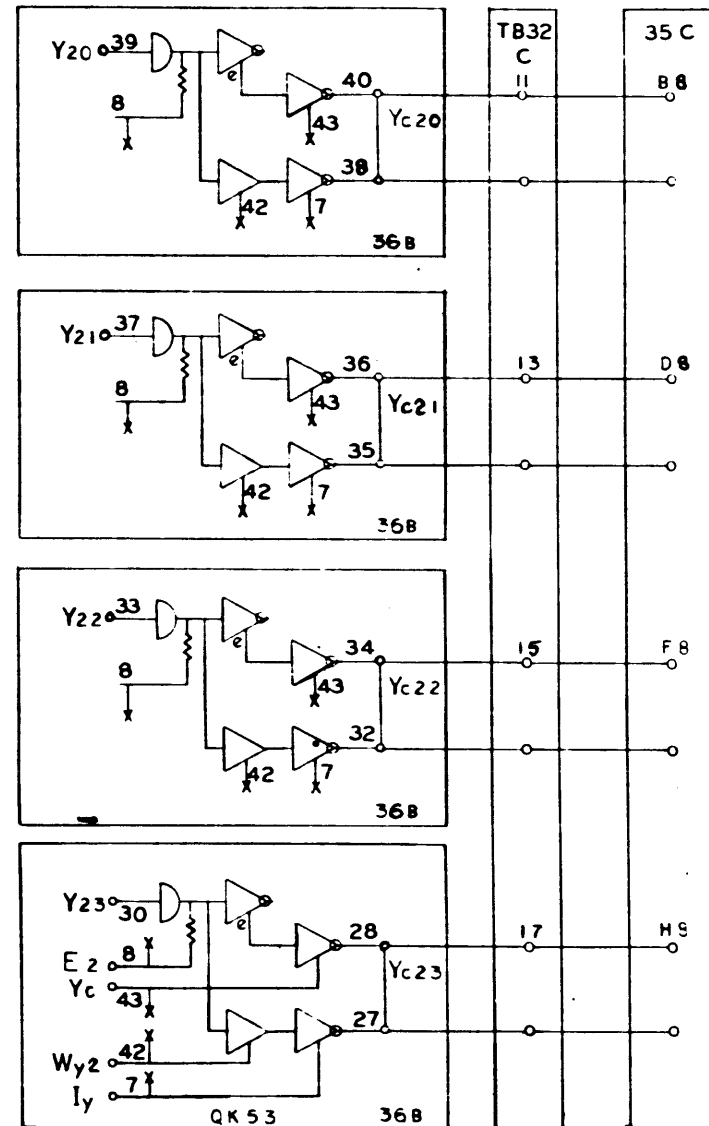
| NO. REG. | DRAWING NO. | DESCRIPTION | REFERENCE DESIGNATION | ITEM NO. |
|--|-------------|--|-----------------------|----------------------|
| MATERIAL LIST | | | | |
| NOTES UNLESS SPECIFIED | | DRAWN | D.F.T. | 5/63 |
| 1. TOLERANCES XX ± .010 XXX ± .015 | | CHECK | J.L. | 11/63 |
| 2. BREAK ALL SHARP EDGES R10 APPROX. | | APPR. | A. G. G. | 4/63 |
| 3. BACK SURFACES | | <div style="text-align: center;"> </div> | | |
| 4. ALL DIM. IN INCHES | | | | |
| MODEL NO. | | 910 | | SIZE |
| NEXT ASSY. | | | | DWG NO. |
| | | | | D 101702 |
| | | | | C |
| | | | | SCALE |
| | | | | DO NOT SCALE DRAWING |
| | | | | SHEET |

185



DIAGRAM, LOGIC,
COMPUTER DWG. NO. 101702

| REVISIONS | | 101702 | |
|-----------|---------------|--------|------|
| REV | DESCRIPTION | CHK | DATE |
| C | SEE REV. E.O. | | |



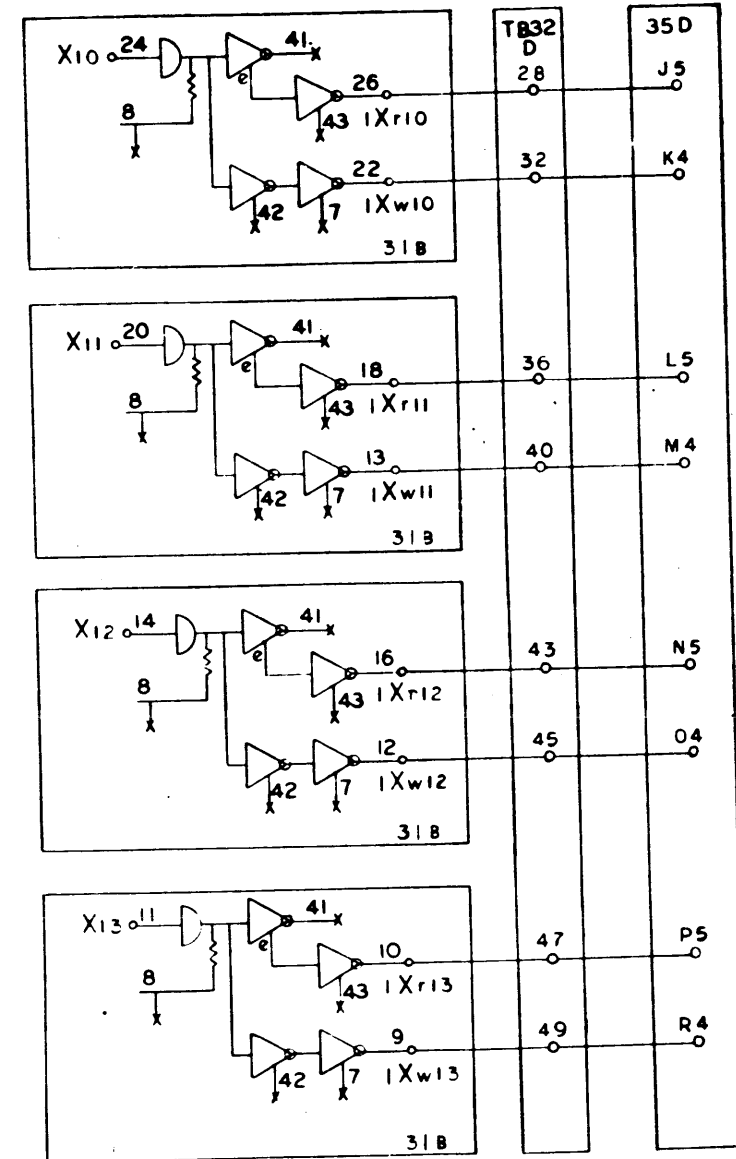
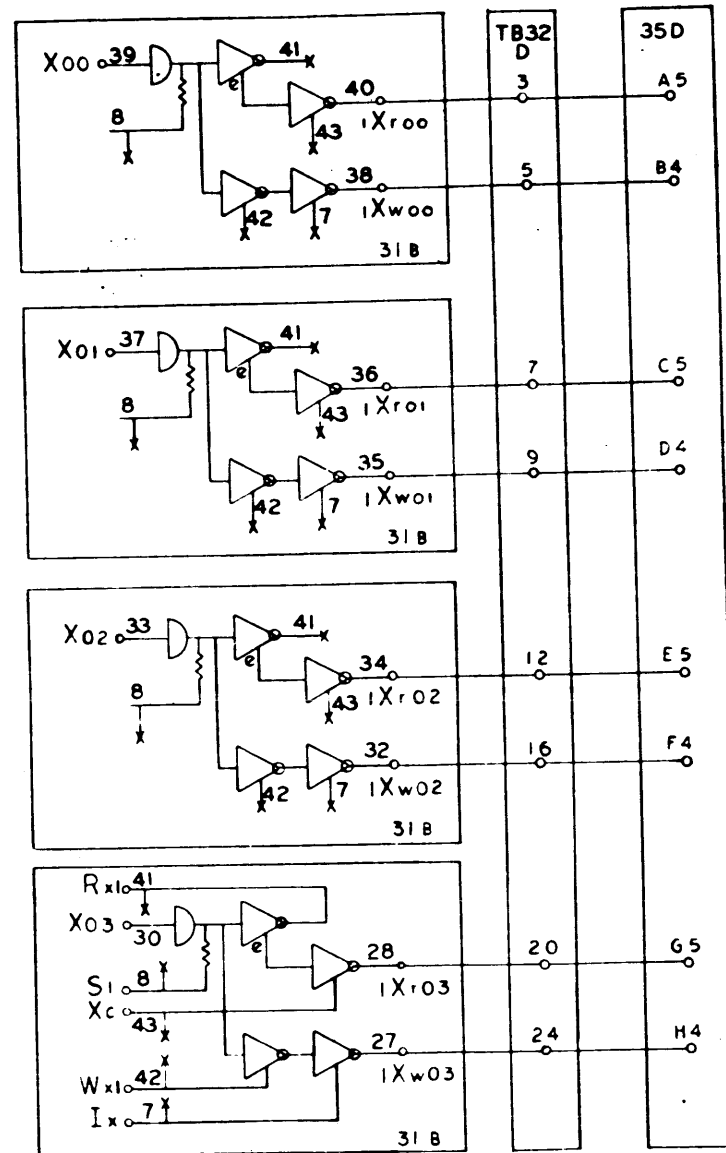
X-Y Selector
910-920
Page 120
C

186

101702 C

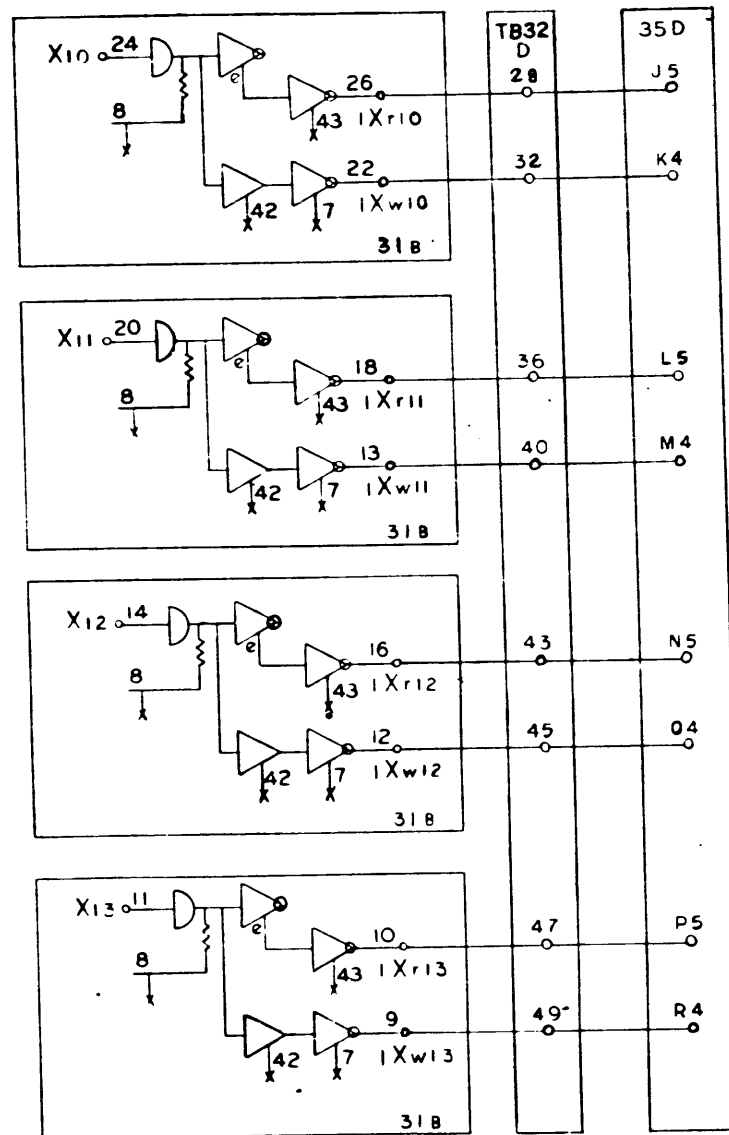
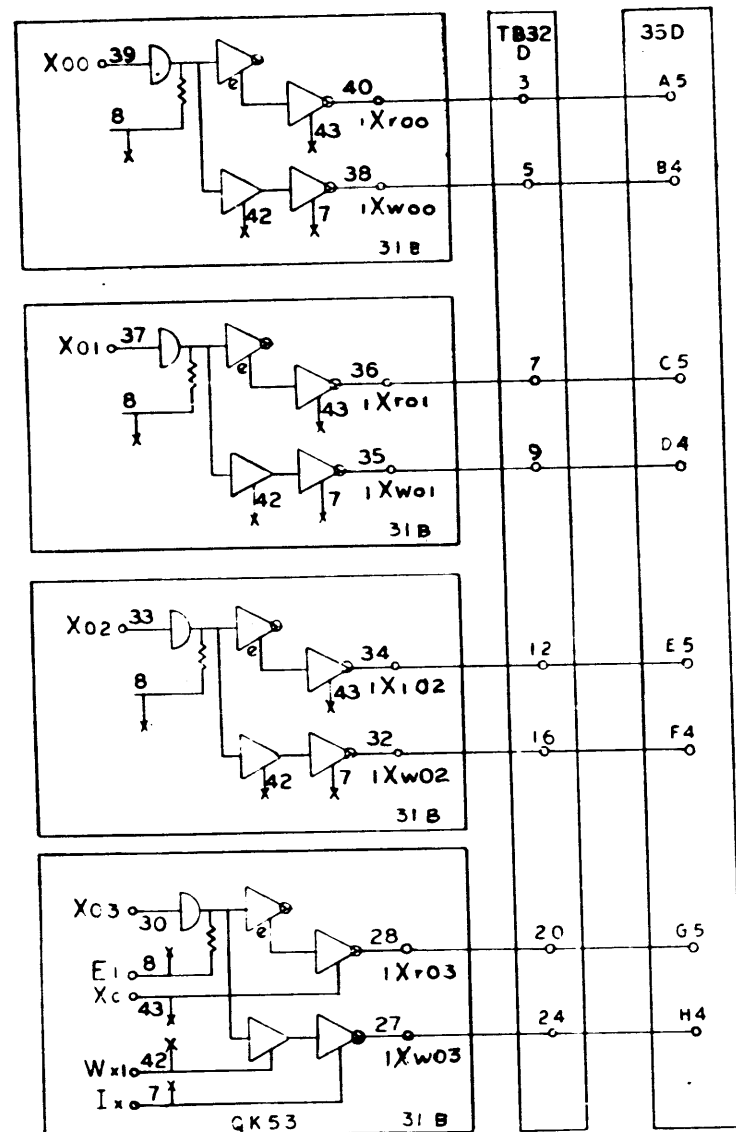
| NO. REQ. | DRAWING NO. | DESCRIPTION | REFERENCE DESIGNATION |
|---------------------------|-------------------|--|--|
| | | | E1 |
| NOTES UNLESS SPECIFIED | | | |
| 1. TOLERANCES AS SHOWN | 2. ANGULAR ±1° | 3. BREAK ALL SHARP EDGES R10 UNLESS | 4. HATCH SURFACES 5. ALL DIM. IN INCHES |
| DRAWN | D.F.T. | 1/15/63 | |
| CHECK | | 1/15/63 | |
| APPR. | | | |
| MATERIAL LIST | | TITLE | |
| | | SDS SCIENTIFIC DATA SYSTEMS 1525 FIFTEENTH STREET, SANTA MONICA, CALIFORNIA | |
| | | DIAGRAM, LOGIC COMPUTER | |
| MODEL NO. | 910 | SIZE | DWG NO. |
| NEXT ASSY. | | D | 101702 |
| | | | C |
| SCALE | | DO NOT SCALE DRAWING SHEET | |

187



DIAGRAM, LOGIC,
COMPUTER DWG. NO. 101702

| REVISIONS | | | | 101702 | C |
|-----------|--------------|-----|------|----------|---|
| REV | DESCRIPTION | CHK | DATE | APPROVED | |
| C | SEE REV E.O. | | | | |



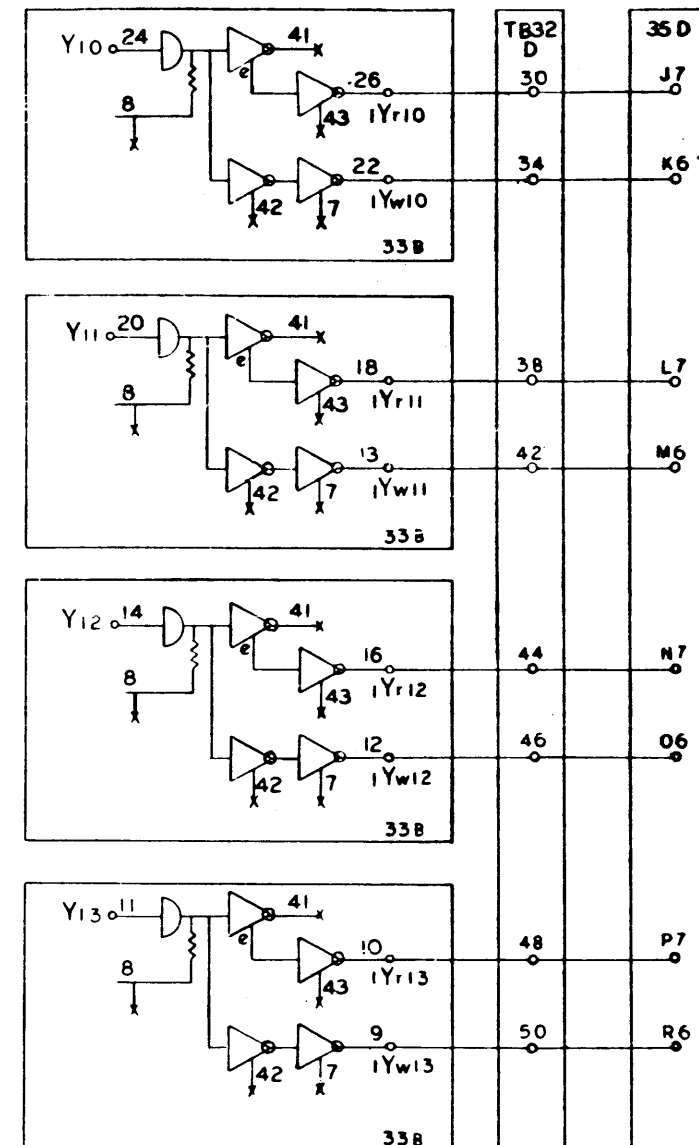
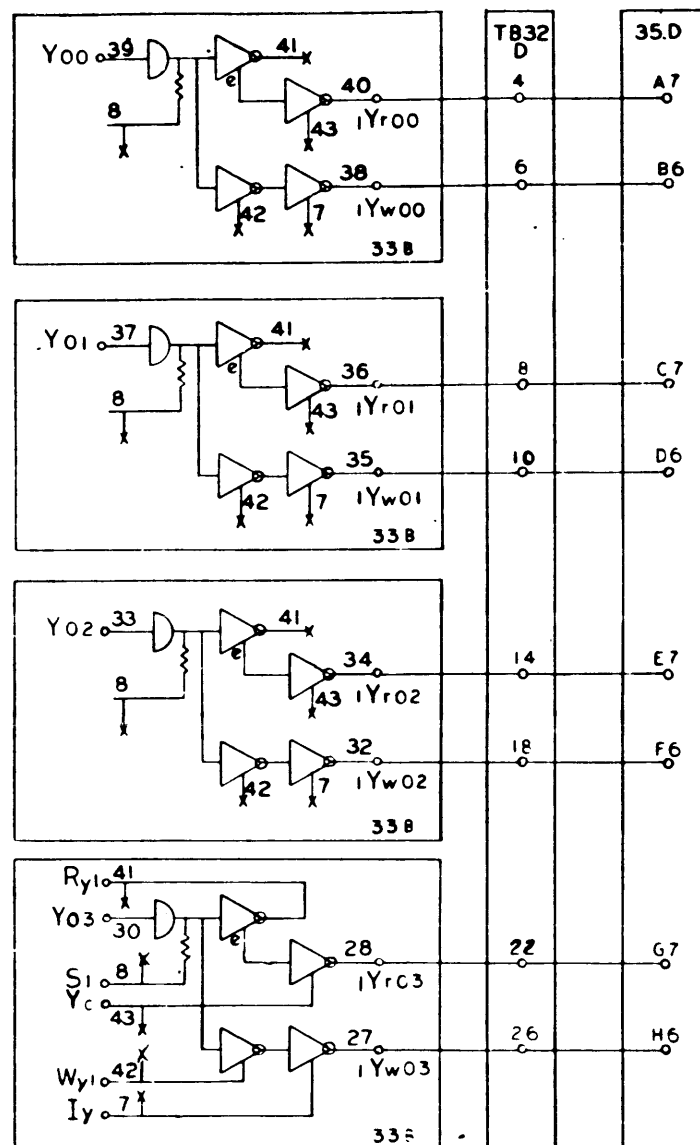
X-Y Selector
910-920
Page 121
C

188

101702 | C |

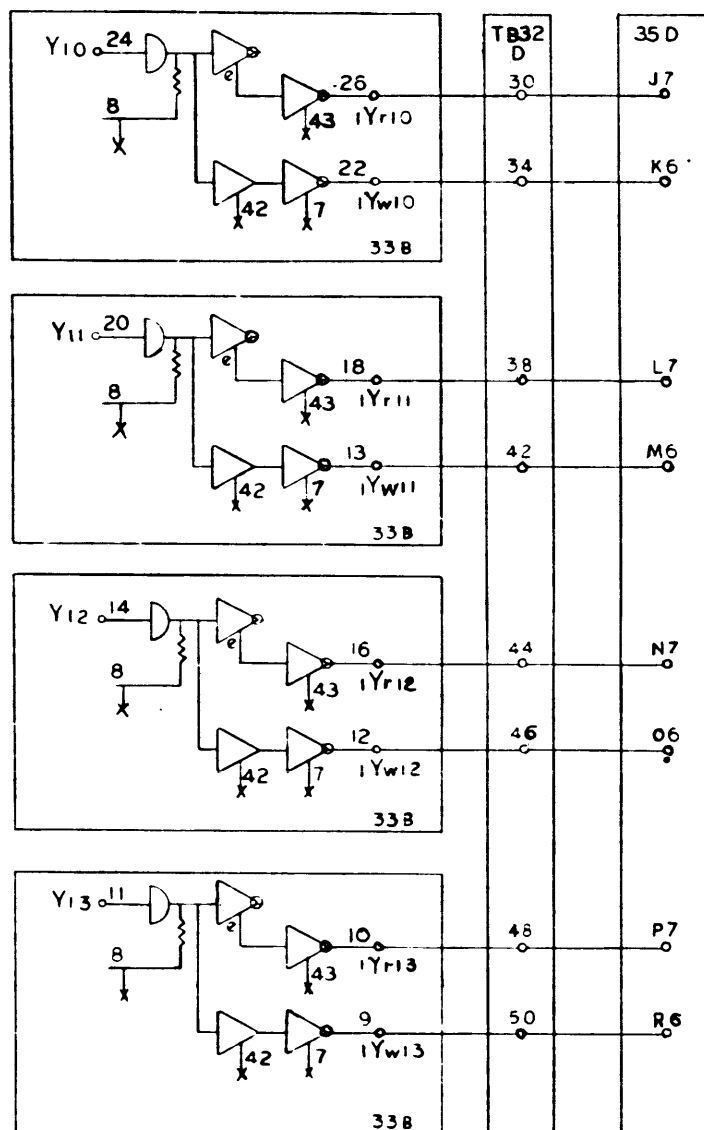
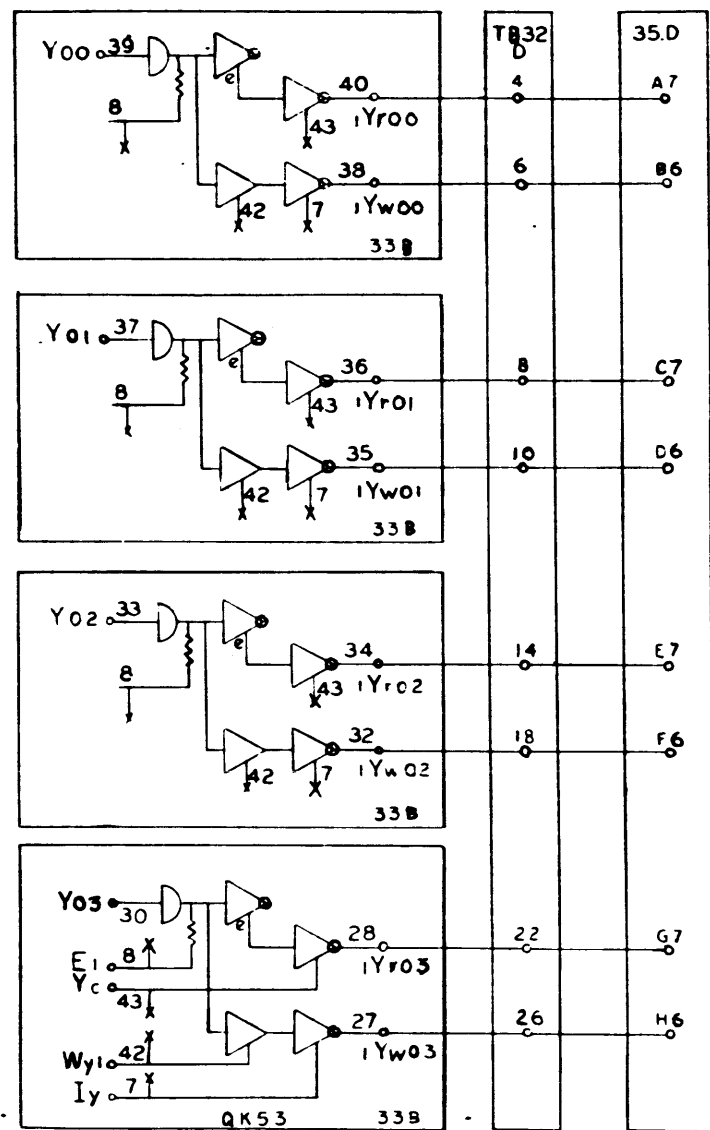
| NO. REQ. | DRAWING NO. | DESCRIPTION | REFERENCE DESIGNATION | ITEM NO. |
|--|-------------|---|-----------------------|----------|
| NOTES UNLESS SPECIFIED | | | | |
| 1. TOLERANCES UNLESS SPECIFIED | | DRAWN | DATE | |
| 2. BREAK ALL SHARP EDGES 0.01 APPROX. | | CHECK | DATE | |
| 3. HIDE SURFACES | | APPR | DATE | |
| 4. ALL DIM. IN INCHES | | MATERIAL LIST | | |
| | | | | |
| | | 1542 FIFTEENTH STREET, SANTA MONICA, CALIFORNIA | | |
| | | TITLE | | |
| | | DIAGRAM, LOGIC COMPUTER | | |
| MODEL NO. | | SIZE | DWG. NO. | |
| 910 | | D | 101702 | C |
| NEXT ASSY. | | SCALE | DO NOT SCALE DRAWING | SHEET |

189



DIAGRAM, LOGIC,
COMPUTER DWG. NO. 101702

| REVISIONS | | | |
|-----------|---------------|-----|------|
| REV | DESCRIPTION | CHK | DATE |
| C | SEE REV. E.O. | | |



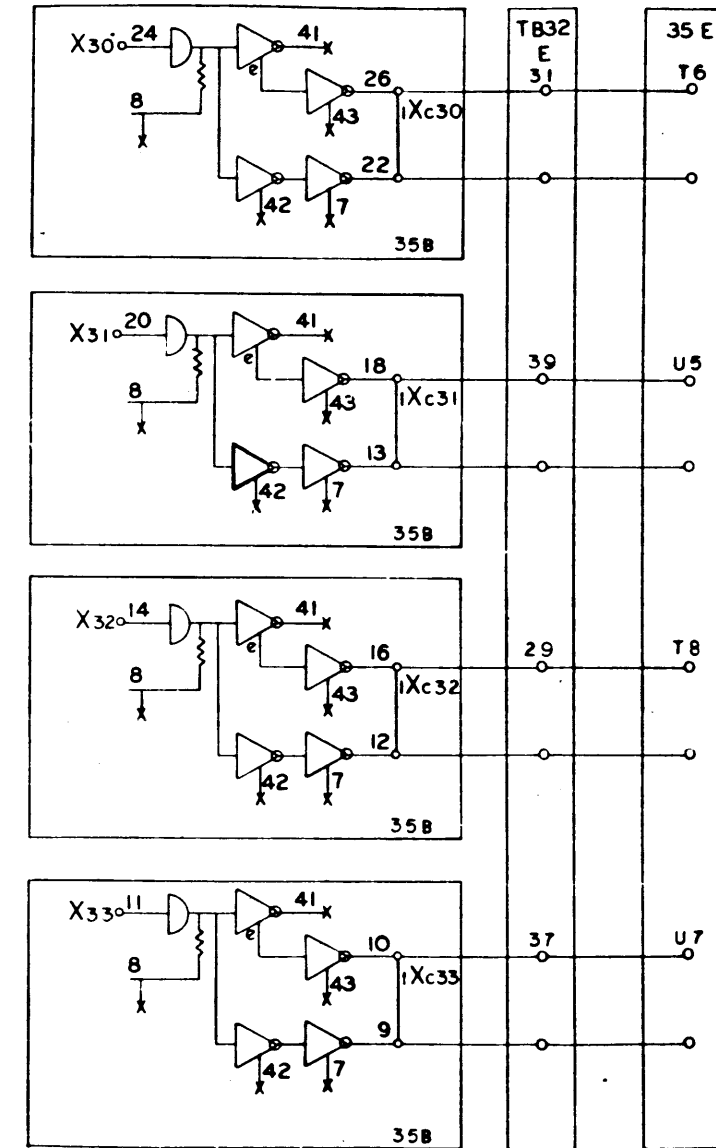
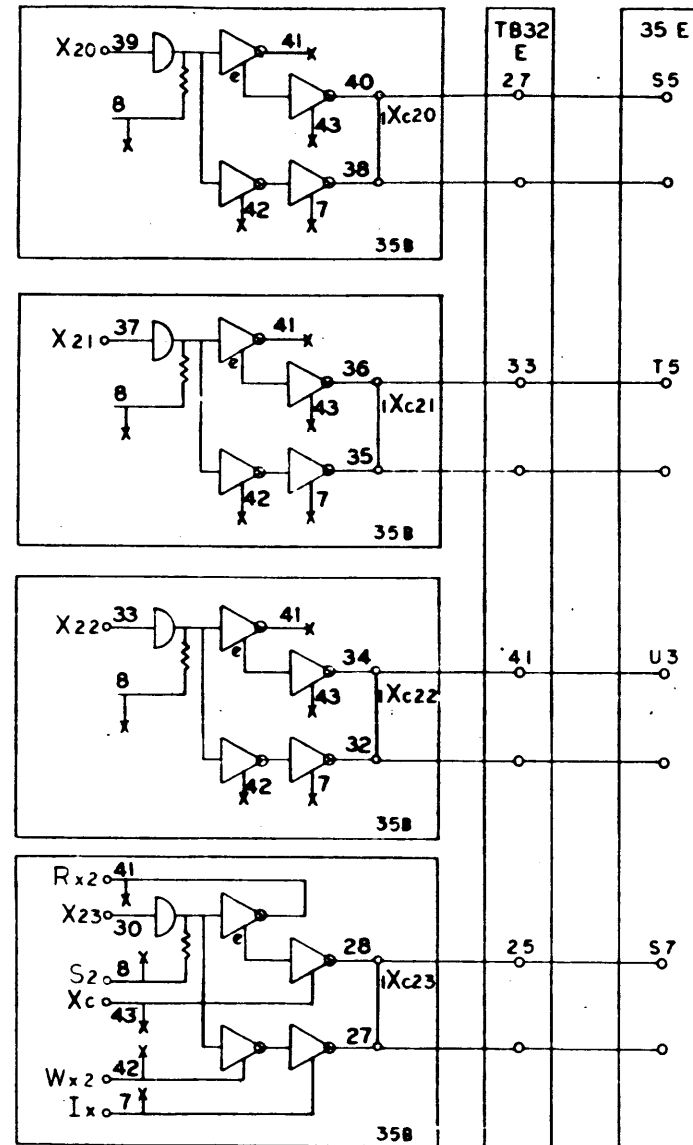
X-Y Selector
910-920
Page 122
C

190

101702 C

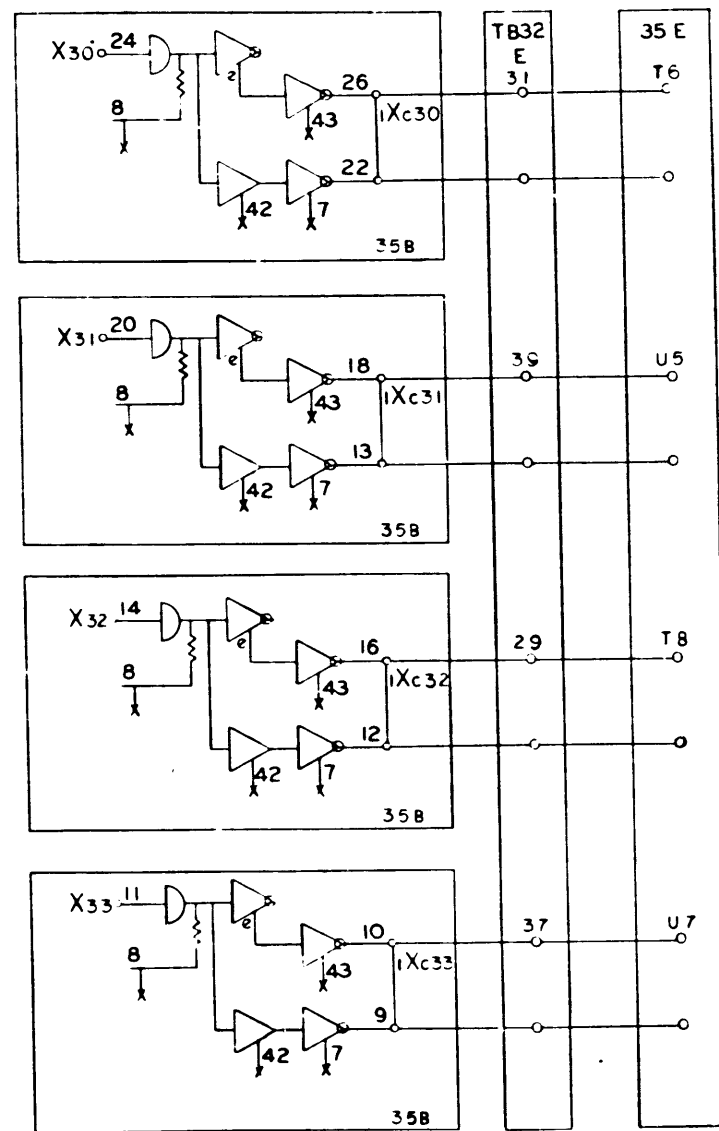
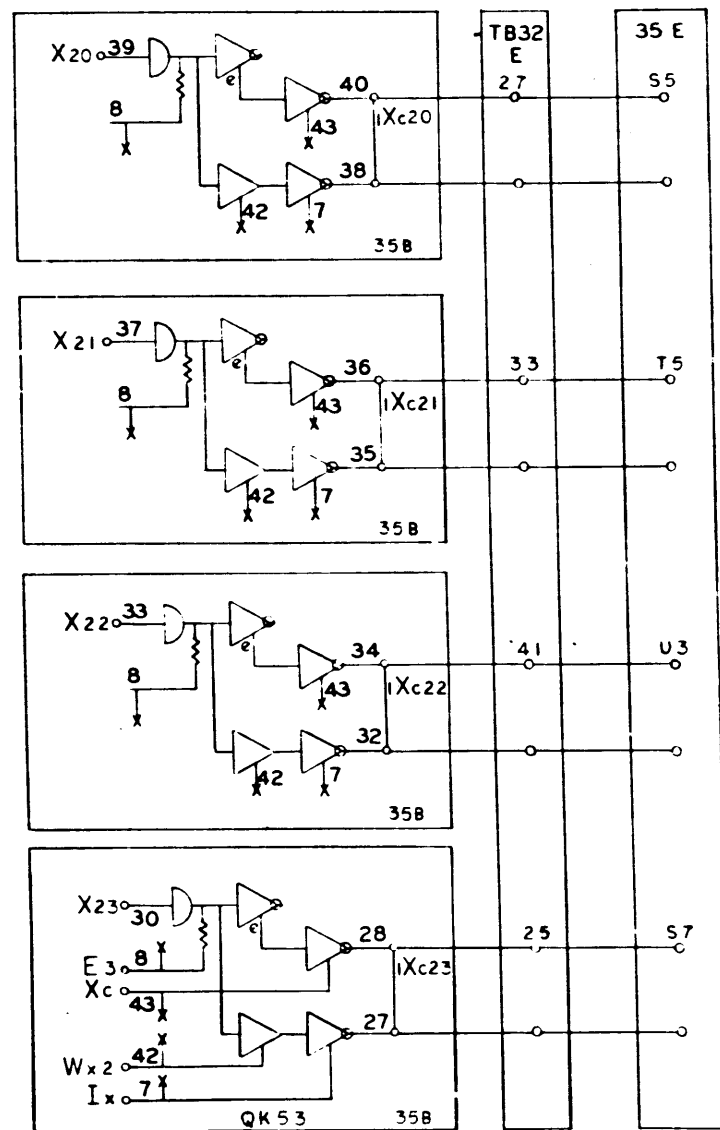
| NO. REV. | DRAWING NO. | DESCRIPTION | REFERENCE DESIGNATION | ITEM NO. |
|---|-------------|---|-----------------------|----------|
| | | | | |
| NOTES UNLESS SPECIFIED 1. TOLERANCES 2. BREAK ALL SHARP EDGES .010 APPROX. 3. MACH SURFACES ✓ 4. ALL DIM. IN INCHES | | | | |
| DRAWN DFT CHECK APPR. | | MATERIAL LIST SDS SCIENTIFIC DATA SYSTEMS 1542 FIFTEENTH STREET, SANTA MONICA, CALIFORNIA | | |
| MODEL NO. 910 | | TITLE DIAGRAM, LOGIC COMPUTER | | |
| NEXT ASSY. | | SIZE D DWG NO. 101702 | | C |
| SCALE | | DO NOT SCALE DRAWING SHEET | | |

191



DIAGRAM, LOGIC
COMPUTER DWG. NO. 101702

| REVISIONS | | | | 101702 | C |
|-----------|---------------|-----|------|----------|---|
| REV | DESCRIPTION | CHK | DATE | APPROVED | |
| C | SEE REV. E.O. | | | | |



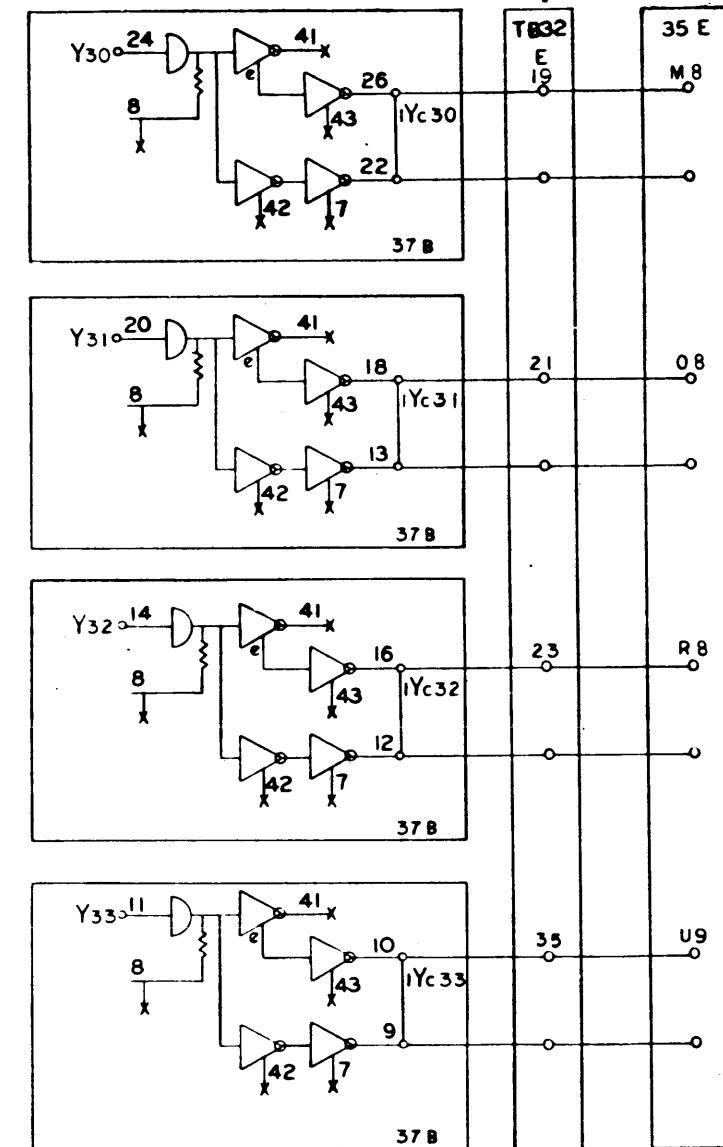
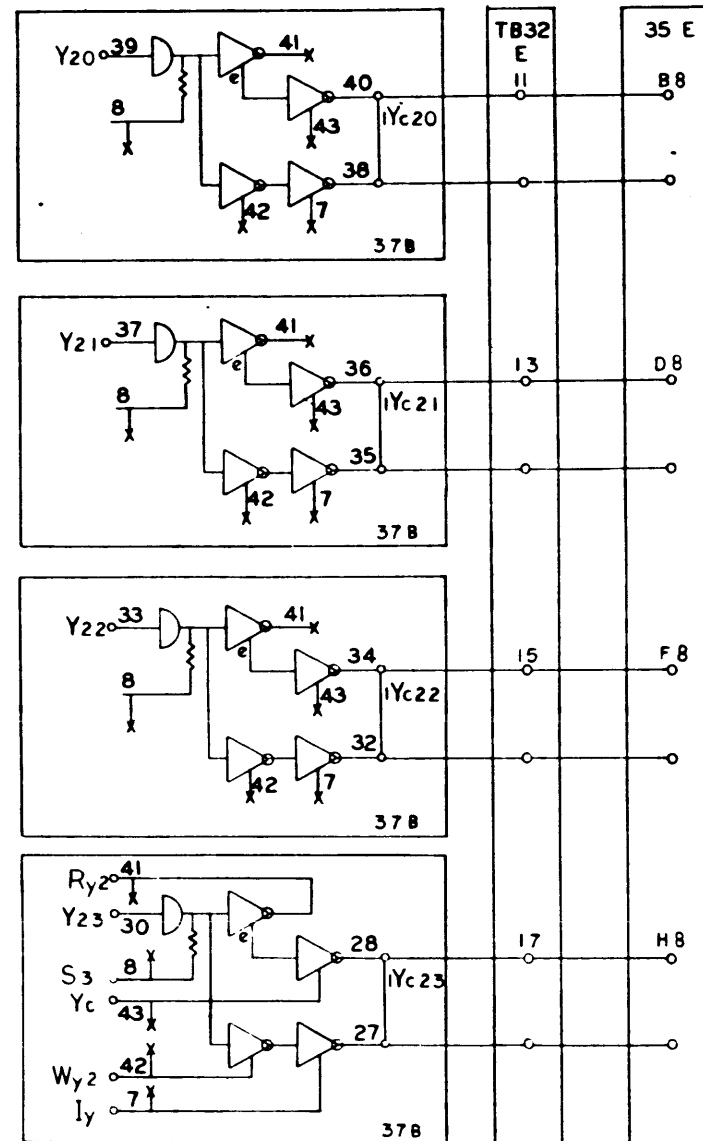
X-Y Selector
910-920
Page 123
C

192

101702 C

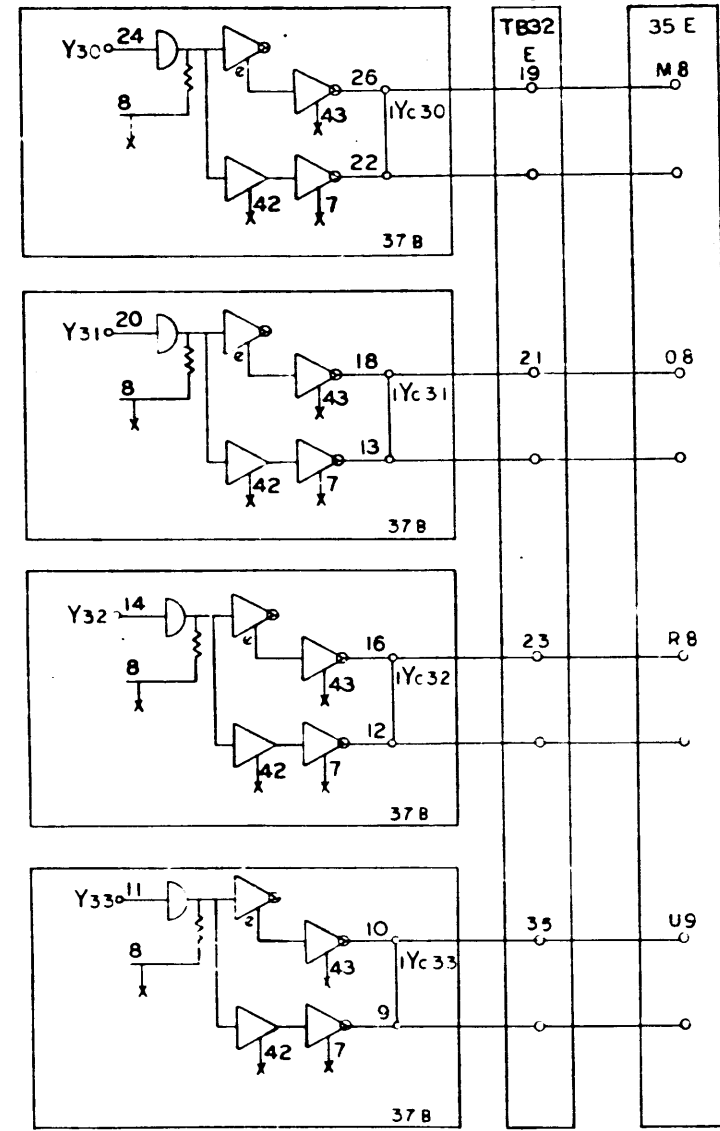
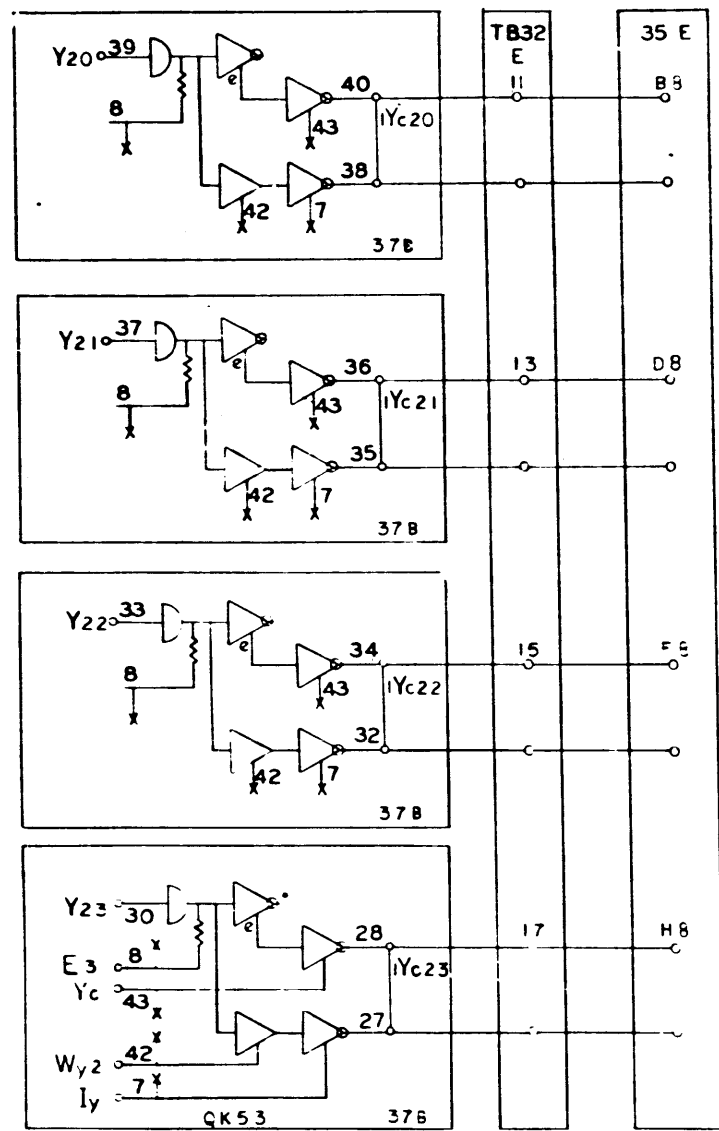
| NO. REV. | DRAWING NO. | DESCRIPTION | REFERENCE DESIGNATION | ITEM NO. |
|---|-------------|---|-----------------------|----------|
| NOTES UNLESS SPECIFIED | | DRAWN | MATERIAL LIST | |
| 1. TOLERANCES XX - DIM ANGLE XX - DIM | | DEF. | 1/18/63 | |
| 2. BREAK ALL SHARP EDGES AND APPROX. | | CHECK | 1/18/63 | |
| 3. HATCH SURFACES | | APPR. | 1/18/63 | |
| 4. ALL DIM IN INCHES | | | | |
| | | | | |
| | | 1942 FIFTEENTH STREET SANTA MONICA CALIFORNIA | | |
| | | TITLE DIAGRAM, LOGIC COMPUTER | | |
| MODEL NO. | 910 | SIZE | DWG NO. | C |
| NEXT ASSY. | | | 101702 | |
| | | SCALE | DO NOT SCALE DRAWING | SHEET |

193



DIAGRAM, LOGIC,
COMPUTER DWG. NO. 101702 X-Y Selector
910-920
Page 124

| REVISIONS | | | 101702 | |
|-----------|---------------|-----|---------|----------|
| REV | DESCRIPTION | CHK | DATE | APPROVED |
| C | SEE REV. E.O. | | 1/16/63 | |



X-Y Selector
910-920
Page 124
C

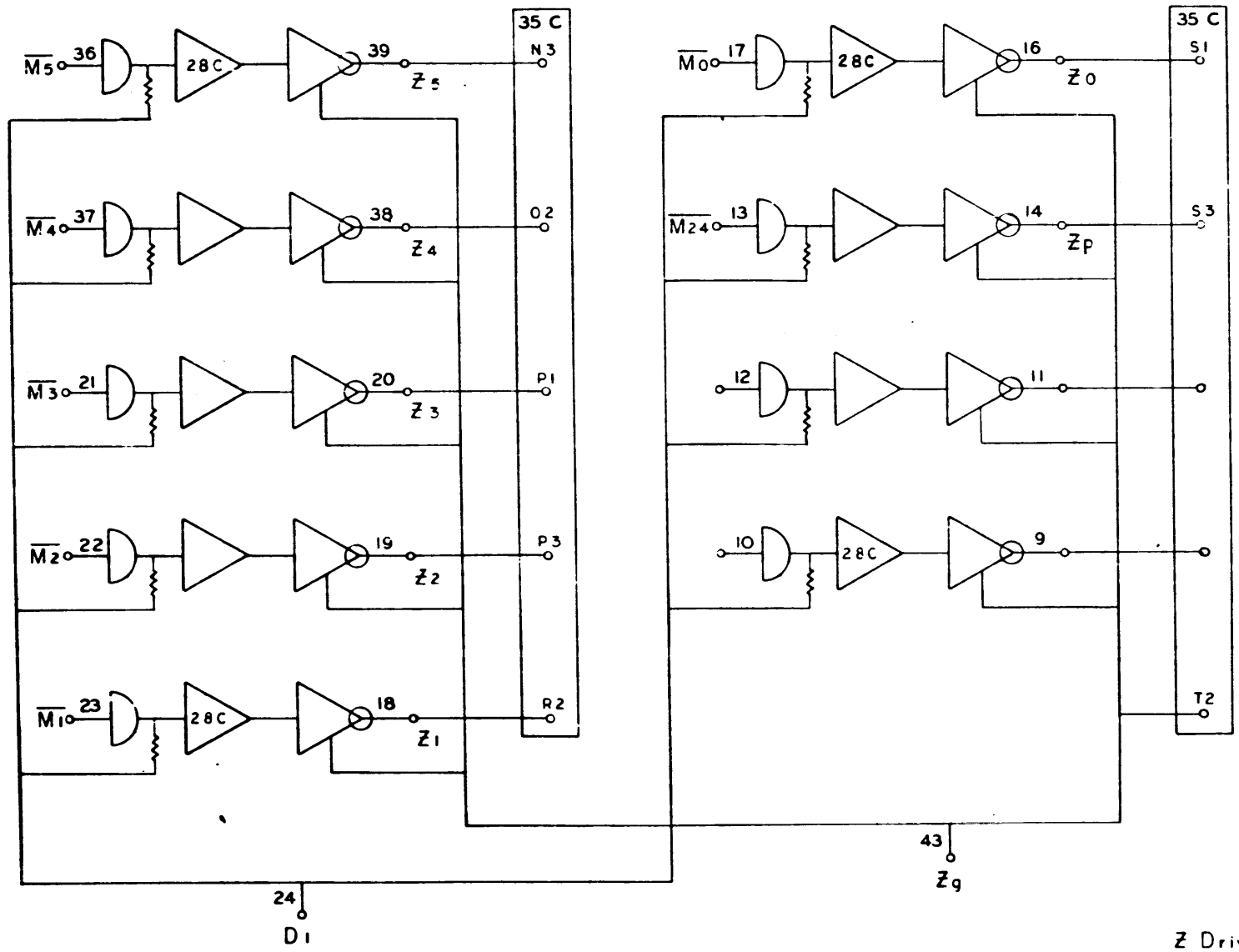
194

101702 (C)

| NO. REQ. | DRAWING NO. | DESCRIPTION | REFERENCE DESIGNATION | ITEM NO. |
|--|-------------|---|-----------------------|----------|
| MATERIAL LIST | | | | |
| NOTES UNLESS SPECIFIED | | | | |
| 1. TOLERANCES: SE - 0.000, ANGULAR - 0.1°, SEE 2.910 | | | | |
| 2. BREAK ALL SHARP EDGES 0.015 APPROX. | | | | |
| 3. HATCH SURFACES ✓ | | | | |
| 4. ALL DIM. IN INCHES | | | | |
| DRAWN: D.E.S. 1/15/63 | | SDS SCIENTIFIC DATA SYSTEMS 143 FIFTEENTH STREET, SANTA MONICA, CALIFORNIA | | |
| CHECKED: [Signature] 1/16/63 | | TITLE: DIAGRAM, LOGIC COMPUTER | | |
| APPROVED: [Signature] 1/18/63 | | MODEL NO. 910 | | |
| NEXT ASSY. | | DWS NO. D 101702 | | C |
| | | DO NOT SCALE DRAWING SHEET | | |

| REVISIONS | | | | |
|-----------|-----------------|-----|------|----------|
| REV | DESCRIPTION | CHK | DATE | APPROVED |
| A | RELEASED TO MFG | | | |

SIMILAR FOR EXPANDED MEMORY
IN ROWS D, E & F



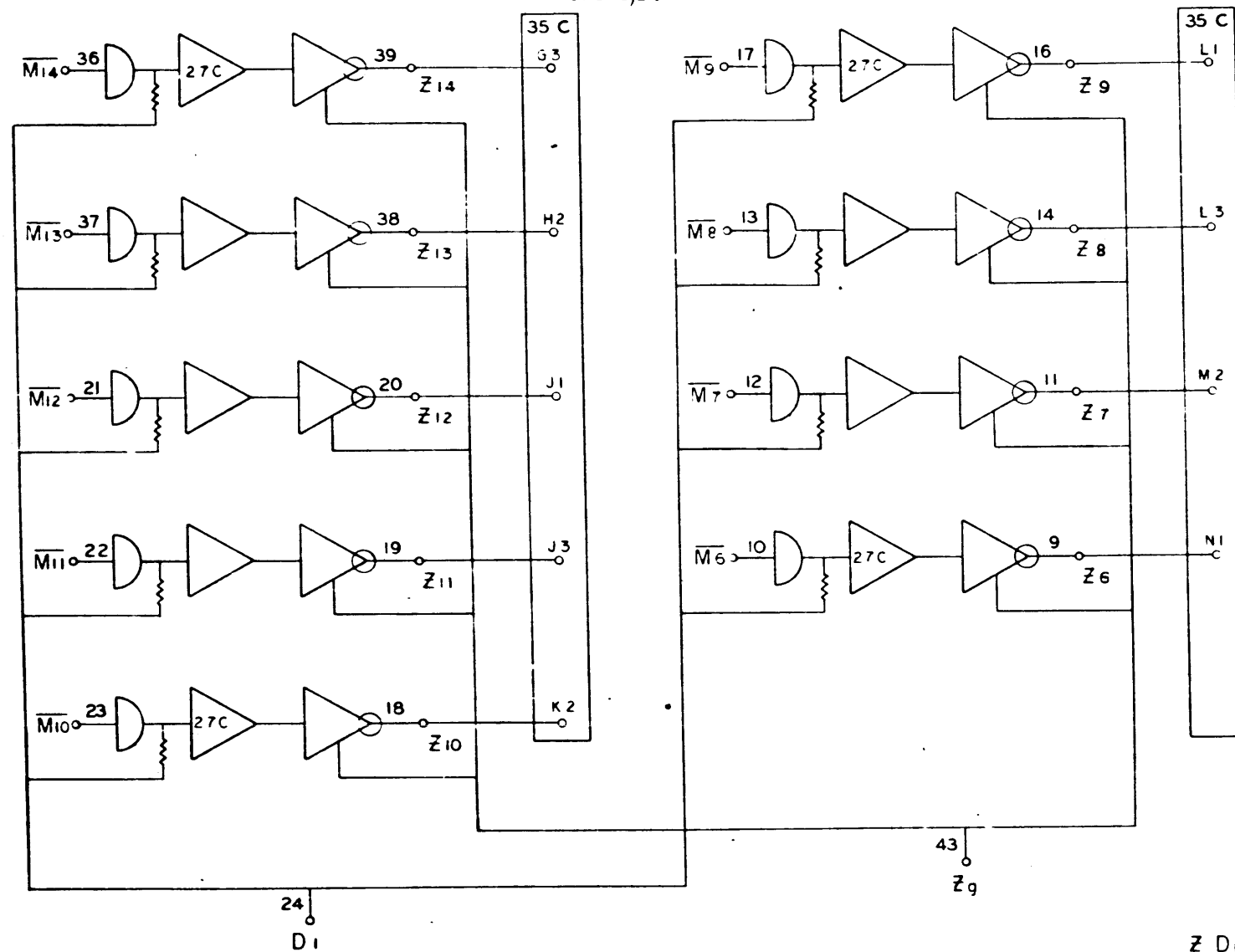
M5

Z Driver
910 - 920
Page 125

| NO. REV. | DRAWING NO. | DESCRIPTION | REFERENCE DESIGNATION | ITEM NO. |
|---|-------------|-------------|---|----------|
| MATERIAL LIST | | | | |
| NOTES UNLESS SPECIFIED | | DRAWN | SDS SCIENTIFIC DATA SYSTEMS | |
| 1. TOLERANCES DIM 0.005 ANGULAR DIM 0.010 2 W | | CHECK | 1545 FIFTEENTH STREET, SANTA MONICA, CALIFORNIA | |
| 2. BREAK ALL SHARP EDGES DIM APPROX | | APPR. | TITLE DIAGRAM, LOGIC, COMPUTER | |
| 3. HATCH SURFACES ✓ | | | | |
| 4. ALL DIM. IN INCHES | | | MODEL NO. D 101702 | |
| NEXT ASSY. | | | SCALE DO NOT SCALE DRAWING SHEET | |

| REV | | DESCRIPTION | | REVISIONS | | DATE | | APPROVED | |
|-----|--|-----------------|--|-----------|--|------|--|----------|--|
| A | | RELEASED TO MFG | | | | | | | |

SIMILAR FOR EXPANDED MEMORY
IN ROWS D,E & F



Z Driver
910 - 920
Page 126

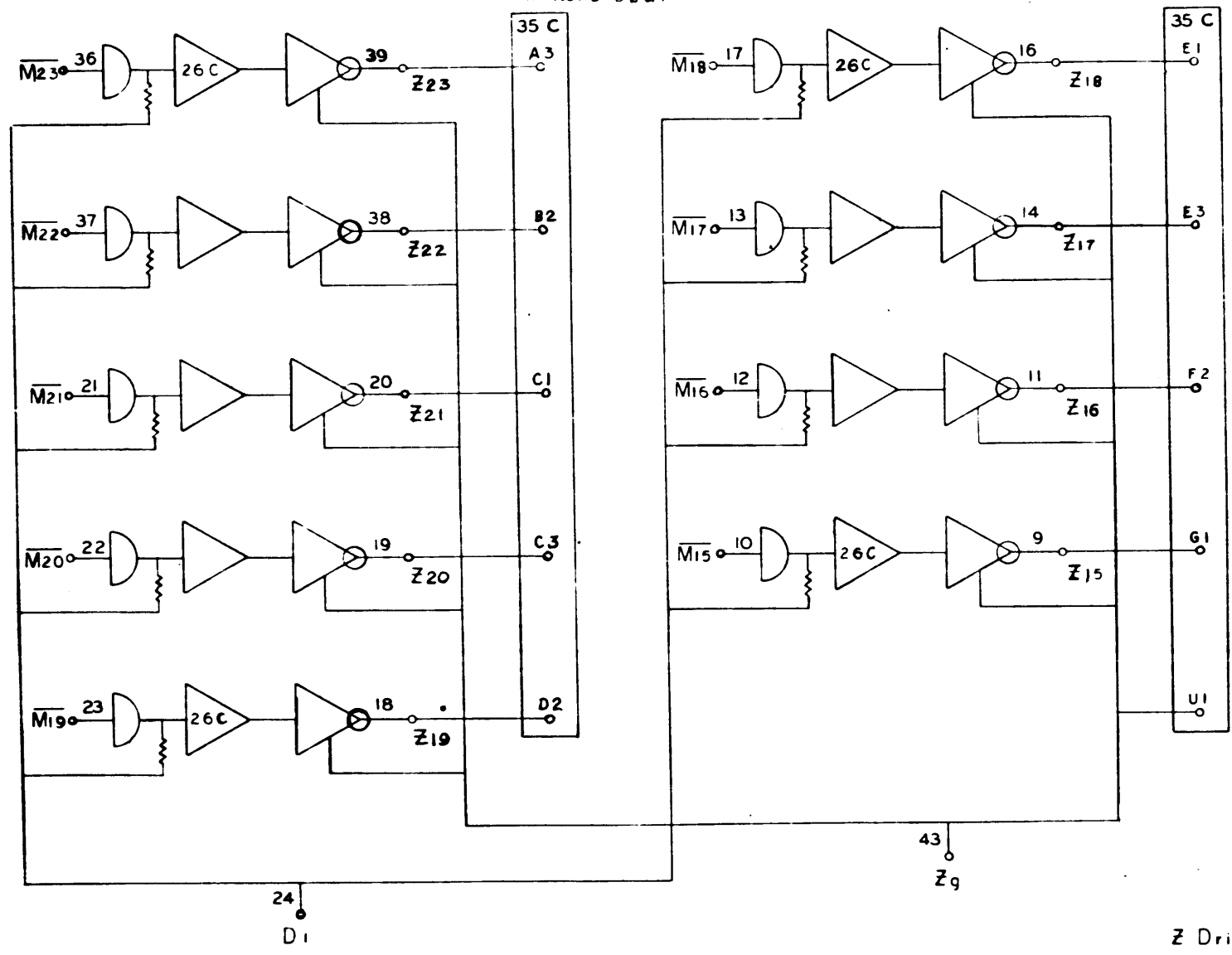
196

01702 A

| NO. REQ. | DRAWING NO. | DESCRIPTION | REFERENCE DESIGNATION | ITEM NO. |
|--|-------------|--|-----------------------|----------|
| MATERIAL LIST | | | | |
| NOTES UNLESS SPECIFIED | | DRAWN | CHECK | DATE |
| 1. TOLERANCES XX ± 0.00 ANGULAR XXX ± 0.10 | | | | |
| 2. BREAK ALL SHARP EDGES BY APPROX. | | APPR. | | |
| 3. BACK SURFACES ✓ | | | | |
| 4. ALL DIM. IN INCHES | | | | |
| MODEL NO. | | SDS SCIENTIFIC DATA SYSTEMS 1542 FIFTEENTH STREET SANTA MONICA CALIFORNIA | | |
| NEXT ASSY. | | TITLE DIAGRAM LOGIC, COMPUTER | | |
| | | SIZE | DWG. NO. | REV. |
| | | D | 01702 | A |
| | | SCALE | DO NOT SCALE DRAWING | SHEET |

| REVISIONS | | | |
|-----------|-----------------|-----|------|
| REV | DESCRIPTION | CHK | DATE |
| A | RELEASED TO MFG | | |

SIMILAR FOR EXPANDED MEMORY
IN ROWS DE & F



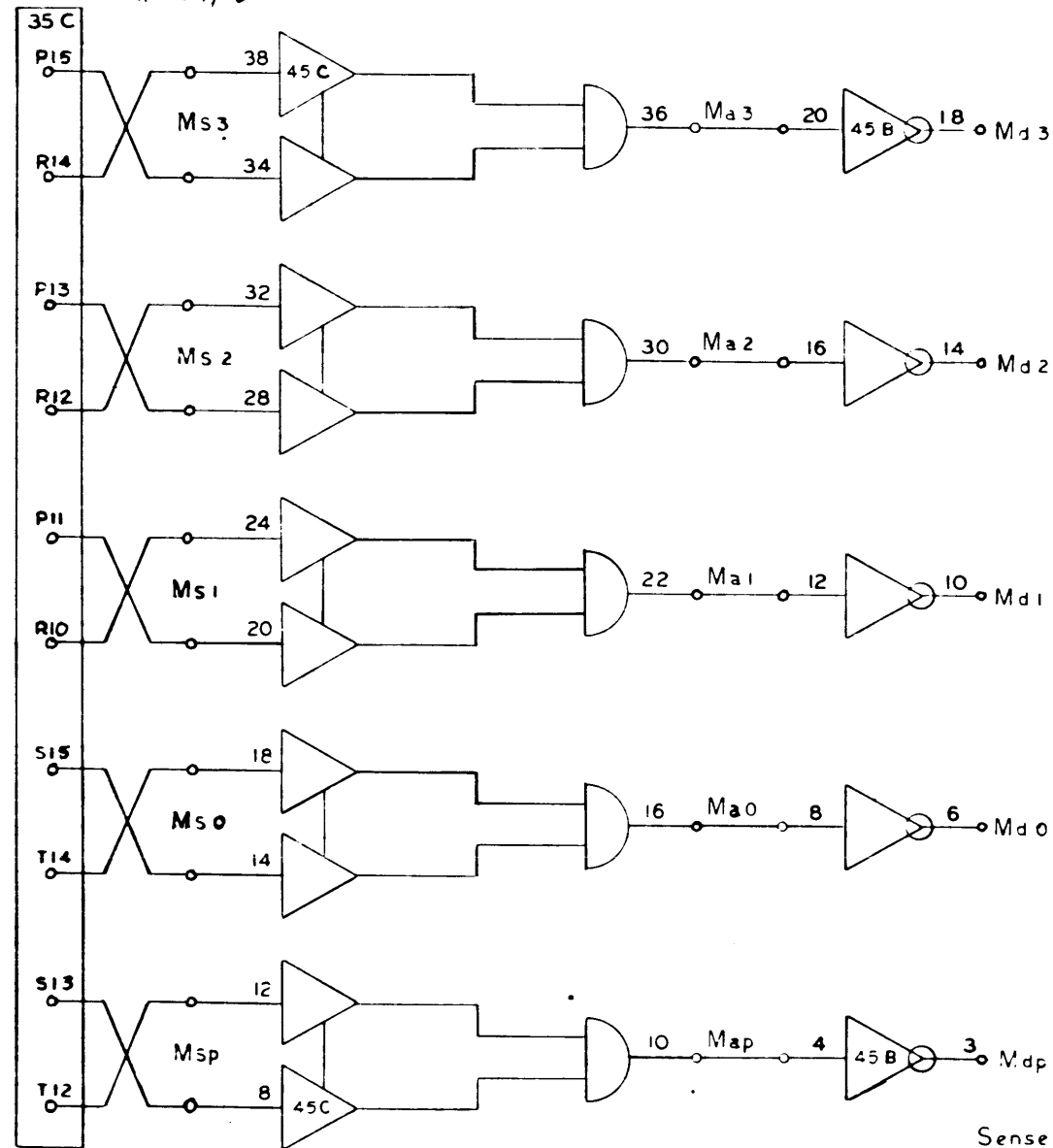
Z Driver
910 - 920
Page 127

197

| NO. REQ. | DRAWING NO. | DESCRIPTION | REFERENCE DESIGNATION | ITEM NO. |
|--|-------------|-----------------------|--|----------|
| NOTES UNLESS SPECIFIED | | | | |
| 1. TOLERANCES UNLESS SPECIFIED | | 2. DRAWN | MATERIAL LIST | |
| 3. BREAK ALL SHARP EDGES 0.10 APPROX. | | 4. CHECK | SDS SCIENTIFIC DATA SYSTEMS 1845 FIFTEENTH STREET SANTA MONICA CALIFORNIA | |
| 5. MACH. SURFACES | | 6. APPR. | TITLE DIAGRAM, LOGIC, COMPUTER | |
| 7. ALL DIM. IN INCHES | | MODEL NO. | | |
| NEXT ASSY. | | SCALE | | |
| | | REV. D 101702 A | | |
| | | DO NOT SCALE DRAWINGS | | |

| REVISIONS | | | |
|-----------|-----------------|-----|---------|
| REV | DESCRIPTION | CHK | DATE |
| A | RELEASED TO MFG | | 7/22/72 |

SIMILAR FOR EXPANDED MEMORY
IN ROWS DE & F



Sense Amplifier
&
Discriminator

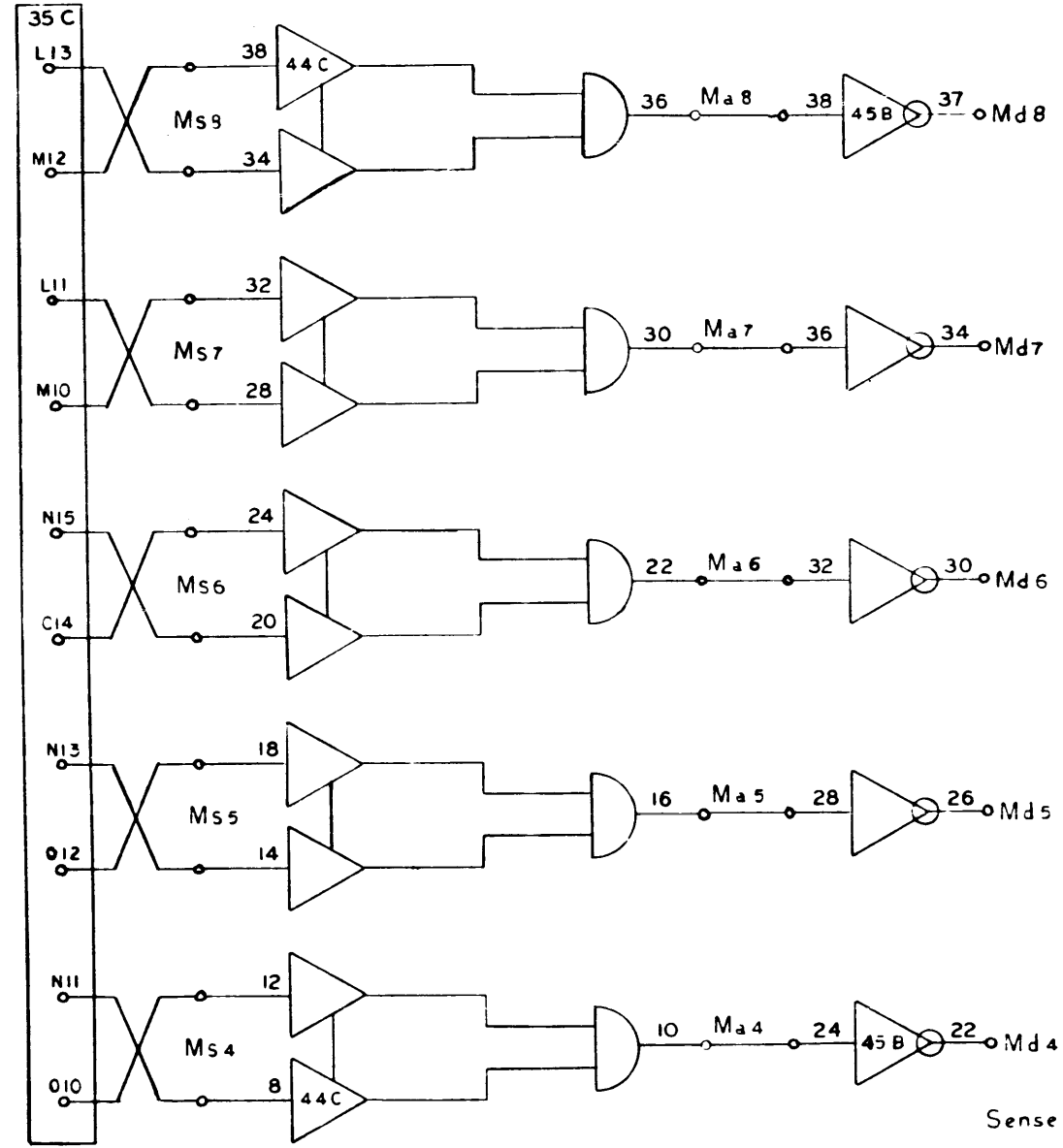
Page 128

198

| NO. REV. | DRAWING NO. | DESCRIPTION | REFERENCE DESIGNATION | ITEM NO. |
|---|-------------|---------------------------|--|----------|
| NOTES UNLESS SPECIFIED | | | | |
| 1. TOLERANCES XX ± 0.00 XXX ± 0.01 | | CHECK | SDS SCIENTIFIC DATA SYSTEMS 1542 FIFTEENTH STREET, SANTA MONICA, CALIFORNIA | |
| 2. BREAK ALL SHARP EDGES 0.015 APPROX. | | APPR. | TITLE DIAGRAM LOGIC, COMPUTER | |
| 3. HATCH SURFACES ✓ | | MODEL NO. | | |
| 4. ALL DIM. IN INCHES | | NEXT ASSY. | | |
| | | SIZE Dwg. No. D 101702 | | A |
| | | SCALE | DO NOT SCALE DRAWING | SHEET |

| REVISIONS | | | |
|-----------|-----------------|-----|----------|
| REV | DESCRIPTION | CHK | DATE |
| A | RELEASED TO MFG | | 10/17/62 |

SIMILAR FOR EXPANDED MEMORY
IN ROWS QE & F



Sense Amplifier
&
Discriminator

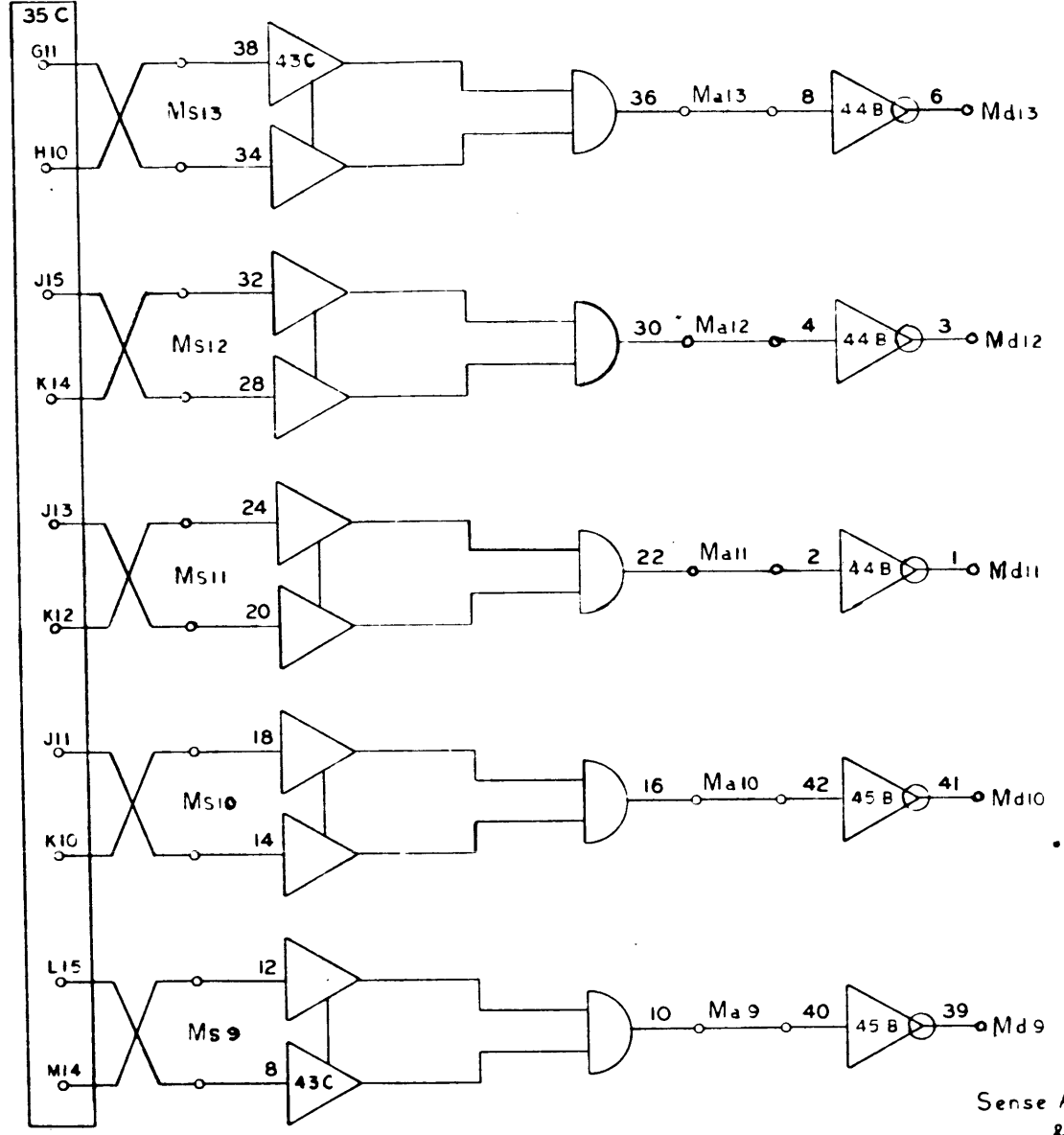
199

| NO. REV. | DRAWING NO. | DESCRIPTION | REFERENCE DESIGNATION | ITEM NO. |
|---|-------------|---|-----------------------|----------|
| | | | | |
| MATERIAL LIST | | | | |
| NOTES UNLESS SPECIFIED | | DRAWN | CHECK | APPR. |
| 1. TOLERANCES DIM ± 0.008 ANGULAR DIM ± 0.10 2 1/2° | | | | |
| 2. BREAK ALL SHARP EDGES 0.015 APPROX. | | | | |
| 3. HATCH SURFACES | | | | |
| 4. ALL DIM. IN INCHES | | | | |
| | | 1545 FIFTEENTH STREET SANTA MONICA CALIFORNIA | | |
| | | TITLE | | |
| | | DIAGRAM, LCGIC, COMPUTER | | |
| MODEL NO. | | SIZE | DWG NO. | |
| | | D | 101702 | |
| NEXT ASSY. | | SCALE | DO NOT SCALE DRAWING | SHEET |
| | | | | A |

101702 A

| REVISIONS | | | |
|-----------|-----------------|-----|------|
| REV | DESCRIPTION | CHK | DATE |
| A | RELEASED TO MFG | | |

SIMILAR FOR EXPANDED MEMORY
IN ROWS DE & F



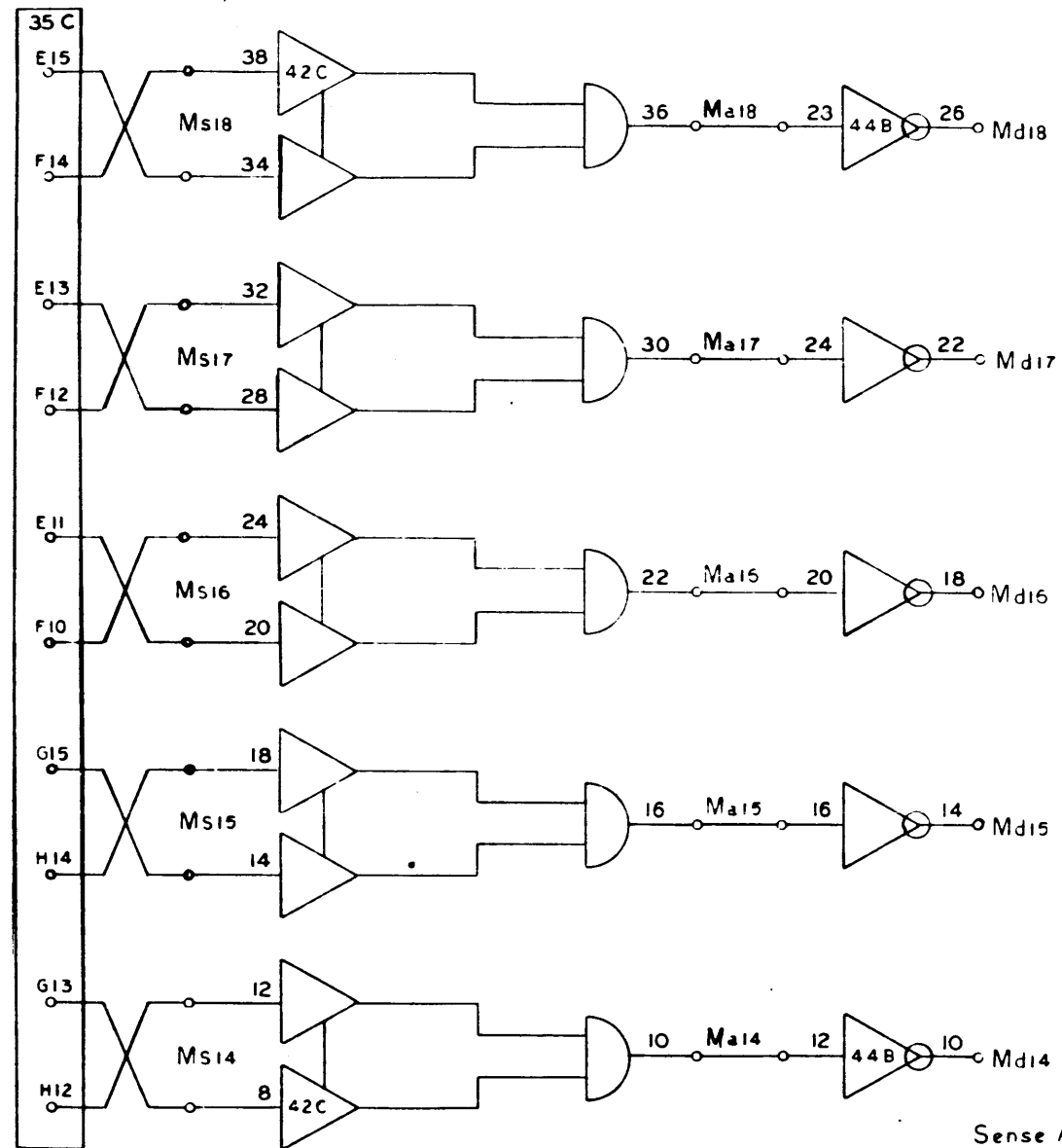
Sense Amplifier
&
Discriminator
Page 130

200

| NO. REQ. | DRAWING NO. | DESCRIPTION | REFERENCE DESIGNATION | ITEM NO. |
|---|-------------|-------------|---|----------|
| MATERIAL LIST | | | | |
| NOTES UNLESS SPECIFIED | | DRAWN | SDS SCIENTIFIC DATA SYSTEMS | |
| 1. TOLERANCES XX ± 0.00 ANGULAR XX ± 0.10 ± 1/16" | | CHECK | 1542 FIFTEENTH STREET SANTA MONICA CALIFORNIA | |
| 2. BREAK ALL SHARP EDGES 910 APPROX. | | APPR | TITLE DIAGRAM, LOGIC, COMPUTER | |
| 3. BACK SURFACES ✓ | | | | |
| 4. ALL DIM. IN INCHES | | | MODEL NO. | |
| NEXT ASSY. | | | SIZE DWG NO. D 101702 A | |
| | | | SCALE DO NOT SCALE DRAWING SHEET | |

| REV | | REVISIONS | | | 101702 | A |
|-----|-----------------|-----------|------|----------|--------|---|
| REV | DESCRIPTION | CHK | DATE | APPROVED | | |
| A | RELEASED TO MFG | | | | | |

SIMILAR FOR EXPANDED MEMORY
IN ROWS D,E & F



Sense Amplifier
&
Discriminator

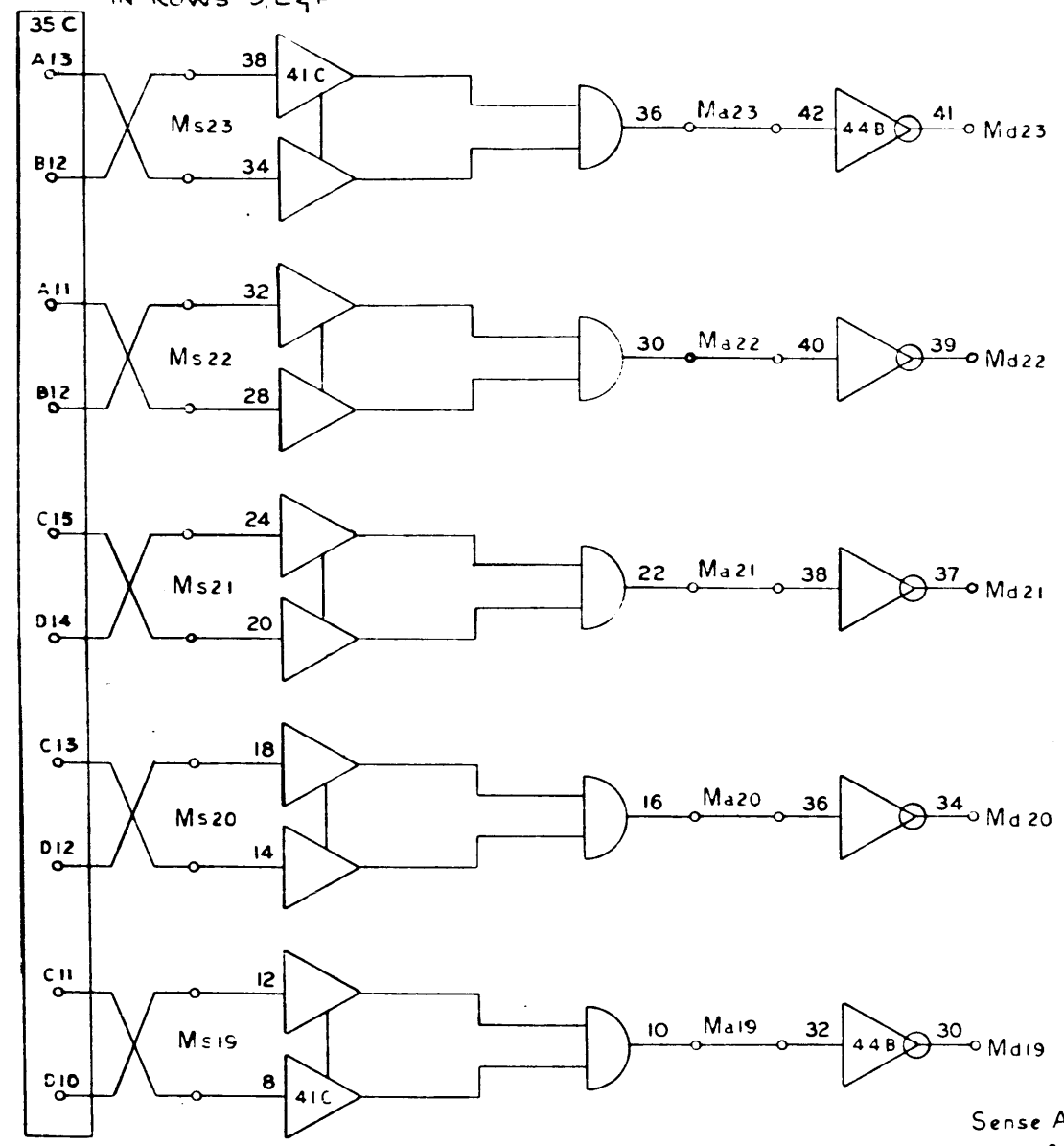
201

101702
A

| NO. REQ. | DRAWING NO. | DESCRIPTION | REFERENCE DESIGNATION | ITEM NO. |
|--|-------------|---|---|----------|
| NOTES UNLESS SPECIFIED | | | | |
| 1. TOLERANCES JE ± 0.00 ESE ± 0.00 | | 2. ANGULAR ± 1/2° | 3. BREAK ALL SHARP EDGES R10 APPROX. | |
| 4. HATCH SURFACES ✓ | | 5. ALL DIM. IN INCHES | | |
| DRAWN | | CHECK | APPR | |
| MATERIAL LIST | | <p>SDS SCIENTIFIC DATA SYSTEMS 1548 FIFTEENTH STREET SANTA MONICA CALIFORNIA</p> <p>TITLE DIAGRAM, LOGIC, COMPUTER</p> | | |
| MODEL NO. | | SIZE | DWG NO. | ITEM NO. |
| NEXT ASSY. | | D | 101702 | A |
| SCALE | | DO NOT SCALE DRAWING | | SHEET |

| REVISIONS | | | |
|-----------|-----------------|-----|------|
| REV | DESCRIPTION | CHK | DATE |
| A | RELEASED TO MFG | | |

SIMILAR FOR EXPANDED MEMORY
IN ROWS D, E & F

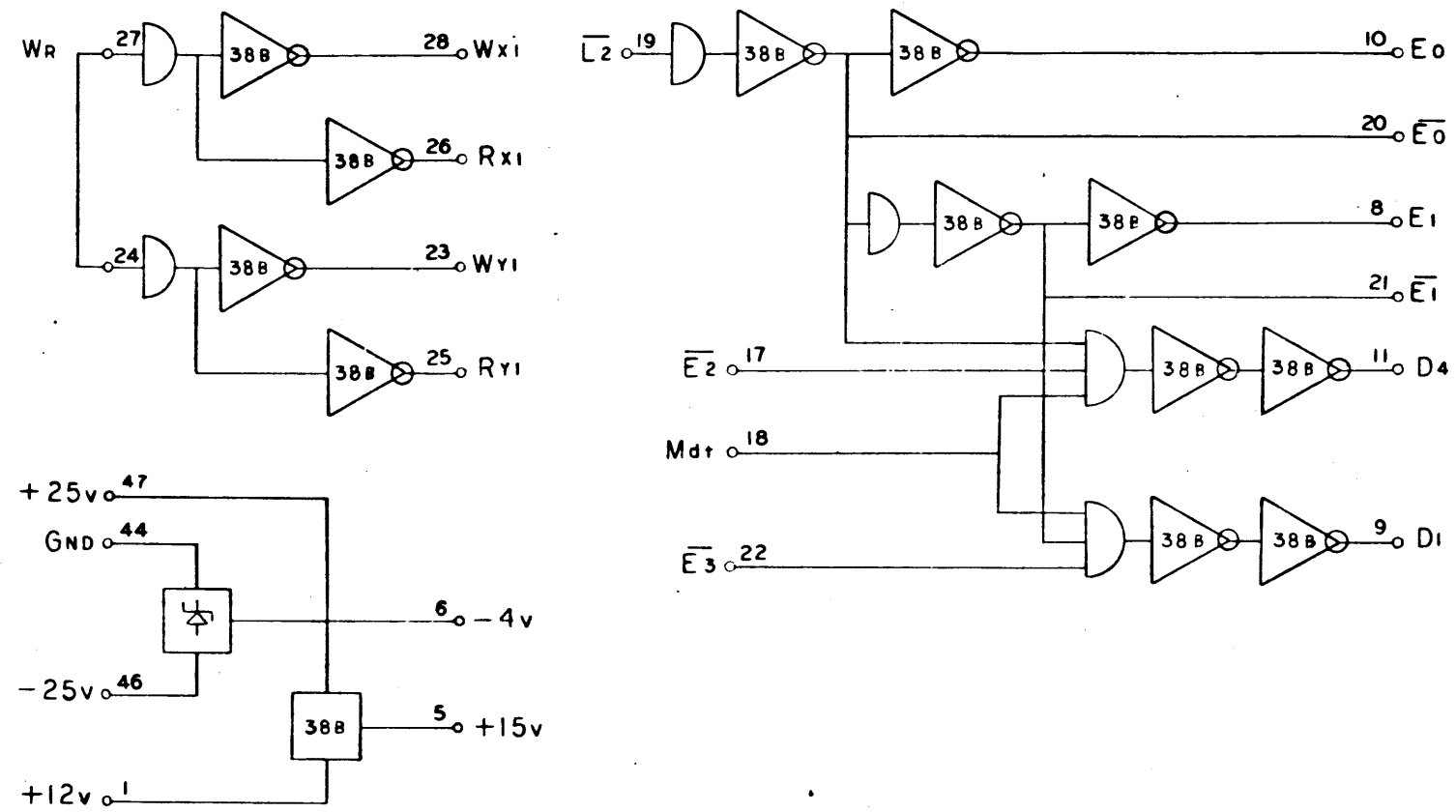


Sense Amplifier
&
Discriminator
Page 132

202

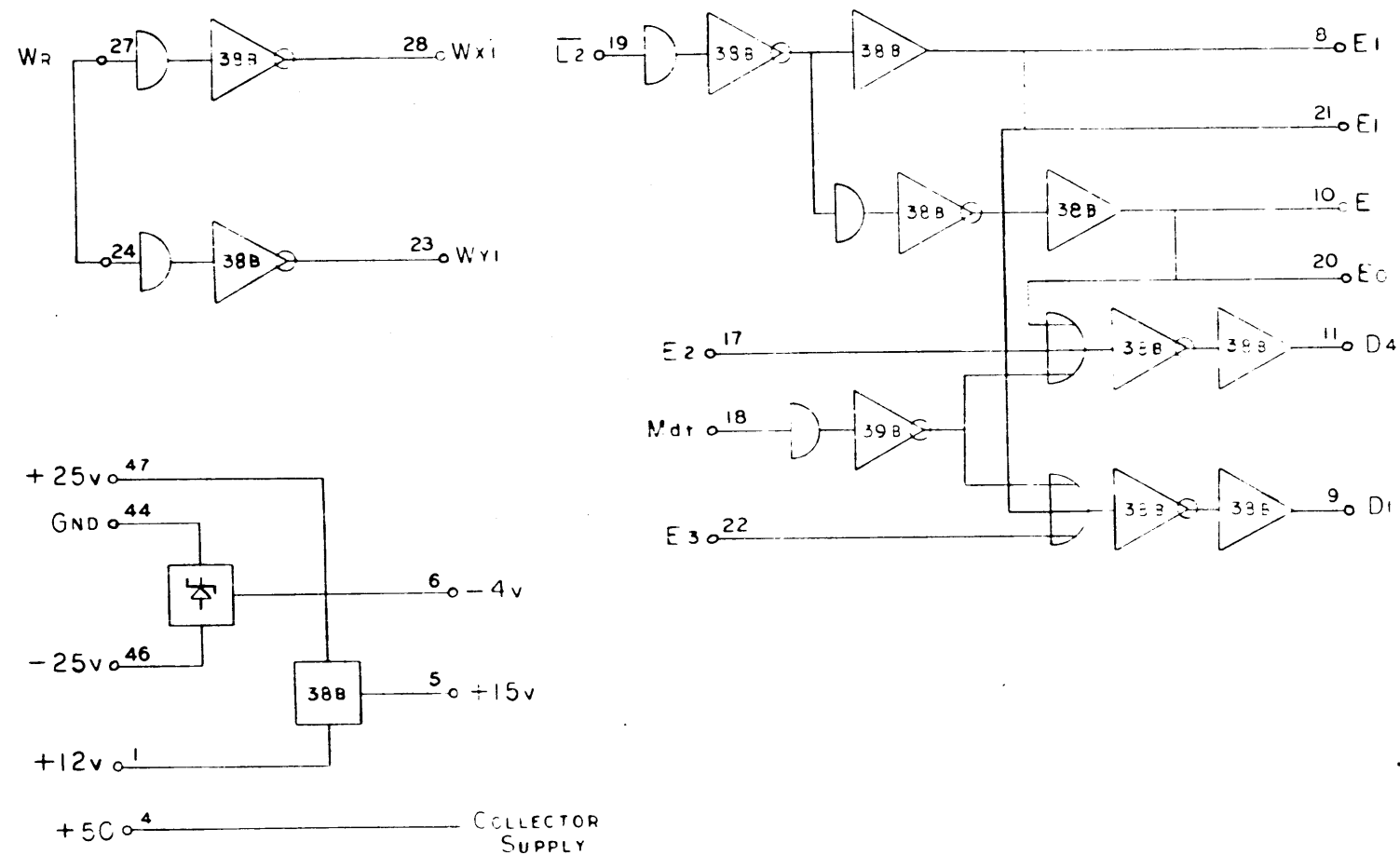
| NO. REQ. | DRAWING NO. | DESCRIPTION | REFERENCE DESIGNATION | ITEM NO. |
|---|-------------|-------------|---|----------------------------|
| NOTES UNLESS SPECIFIED | | | | |
| 1. TOLERANCES UNLESS OTHERWISE SPECIFIED | | DRAWN | MATERIAL LIST | |
| 2. BREAK ALL SHARP EDGES | | CHECK | SDS SCIENTIFIC DATA SYSTEMS | |
| 3. HATCH SURFACES | | APPR. | 1942 FIFTEENTH STREET, SANTA MONICA, CALIFORNIA | |
| 4. ALL DIM. IN INCHES | | | TITLE | |
| | | | DIAGRAM, LOGIC COMPUTER | |
| MODEL NO. | | | SIZE | DWG NO. |
| NEXT ASSY | | | D | 101702 |
| | | | SCALE | DO NOT SCALE DRAWING SHEET |

203



DIAGRAM, LOGIC,
COMPUTER DWG. NO. 101702

| REVISIONS | | | | 101702 |
|-----------|---------------|-----|------|----------|
| REV | DESCRIPTION | CHK | DATE | APPROVED |
| C | SEC REV. E.O. | | | |

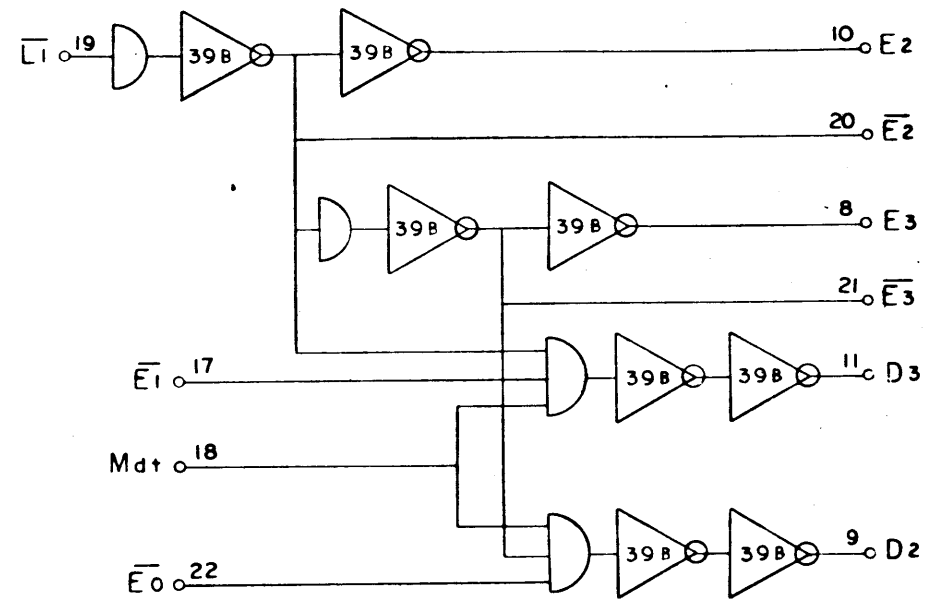
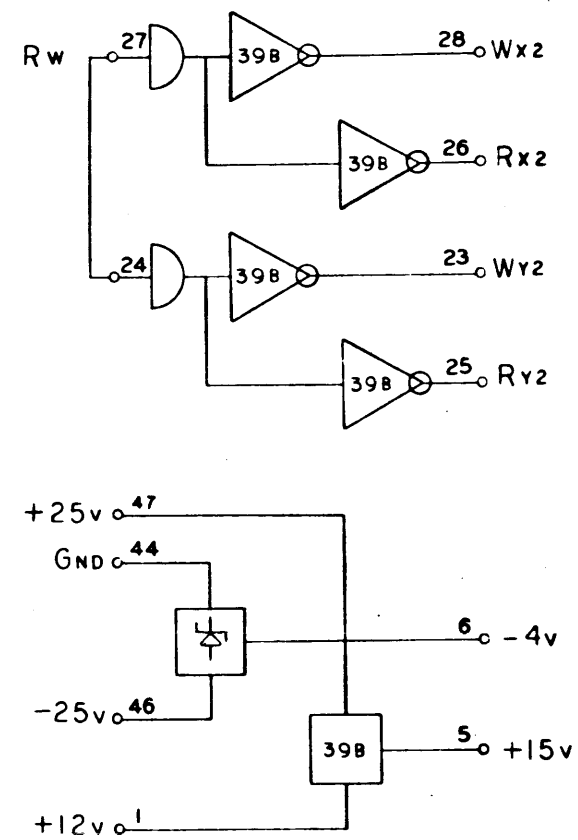


HK55
Selector Control
910-920
Page 133
C

204
101702 | C |

| NO. REQ. | DRAWING NO. | DESCRIPTION | REFERENCE DESIGNATION | ITEM NO. |
|--|-------------|----------------------|-----------------------|-------------------|
| NOTES UNLESS SPECIFIED | | | | |
| 1. TOLERANCES FRACTIONS: .010 ANGULAR DECIMALS: .010 | | | | |
| 2. BREAK ALL SHARP EDGES R10 APPROX | | | | |
| 3. HATCH SURFACES ✓ | | | | |
| 4. ALL DIM. IN INCHES | | | | |
| MODEL NO. 910 | | SIZE D | | DWG NO. 101702 |
| NEXT ASSY. | | SCALE | | SHEET C |
| | | DO NOT SCALE DRAWING | | |

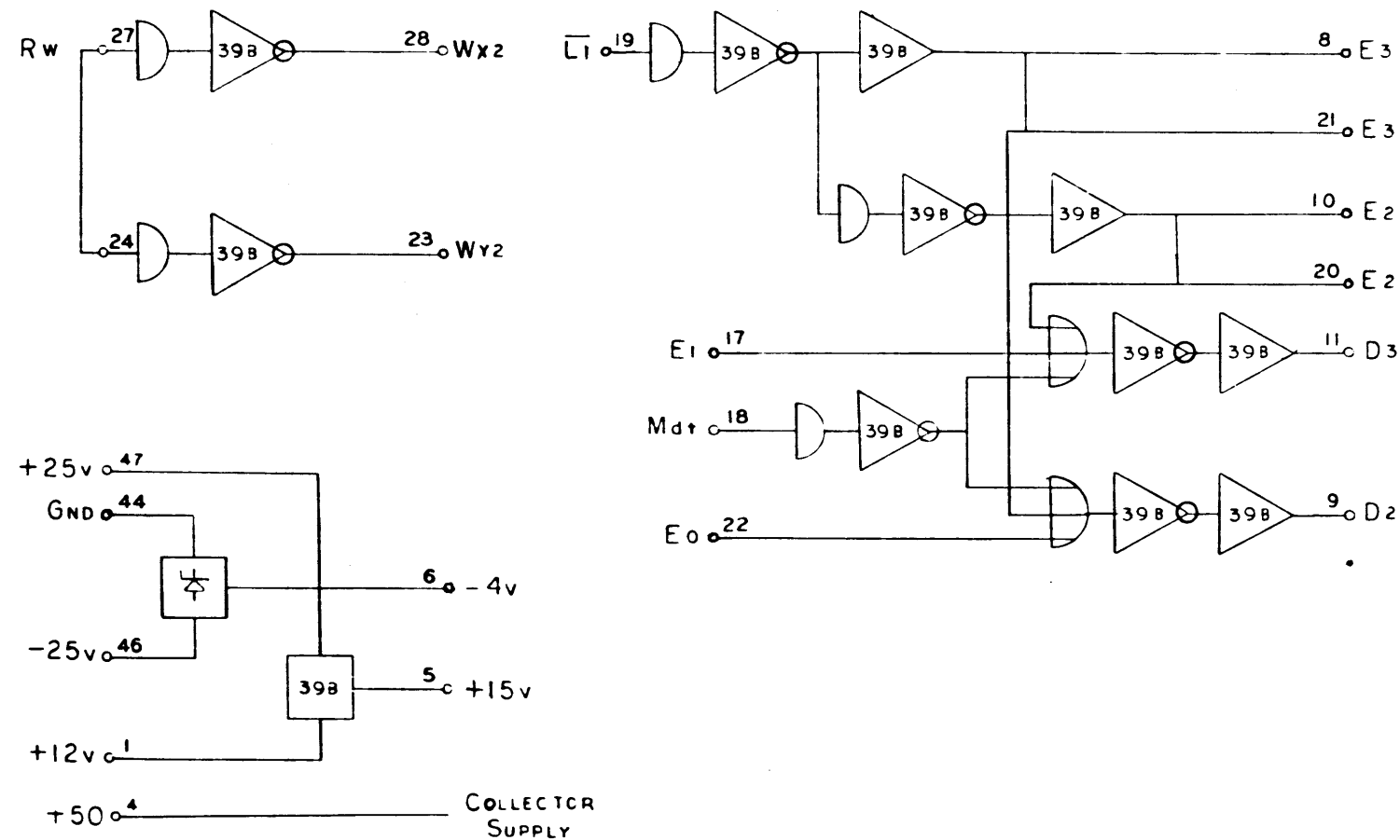
205



DIAGRAM, LOGIC,
COMPUTER DWG. NO. 101702

Selector Control
910 - 920
Page 134

| REVISIONS | | | | 101702 | C |
|-----------|---------------|-----|---------|----------|---|
| REV | DESCRIPTION | CHK | DATE | APPROVED | |
| C | SEE REV. E.O. | | 1/19/63 | | |



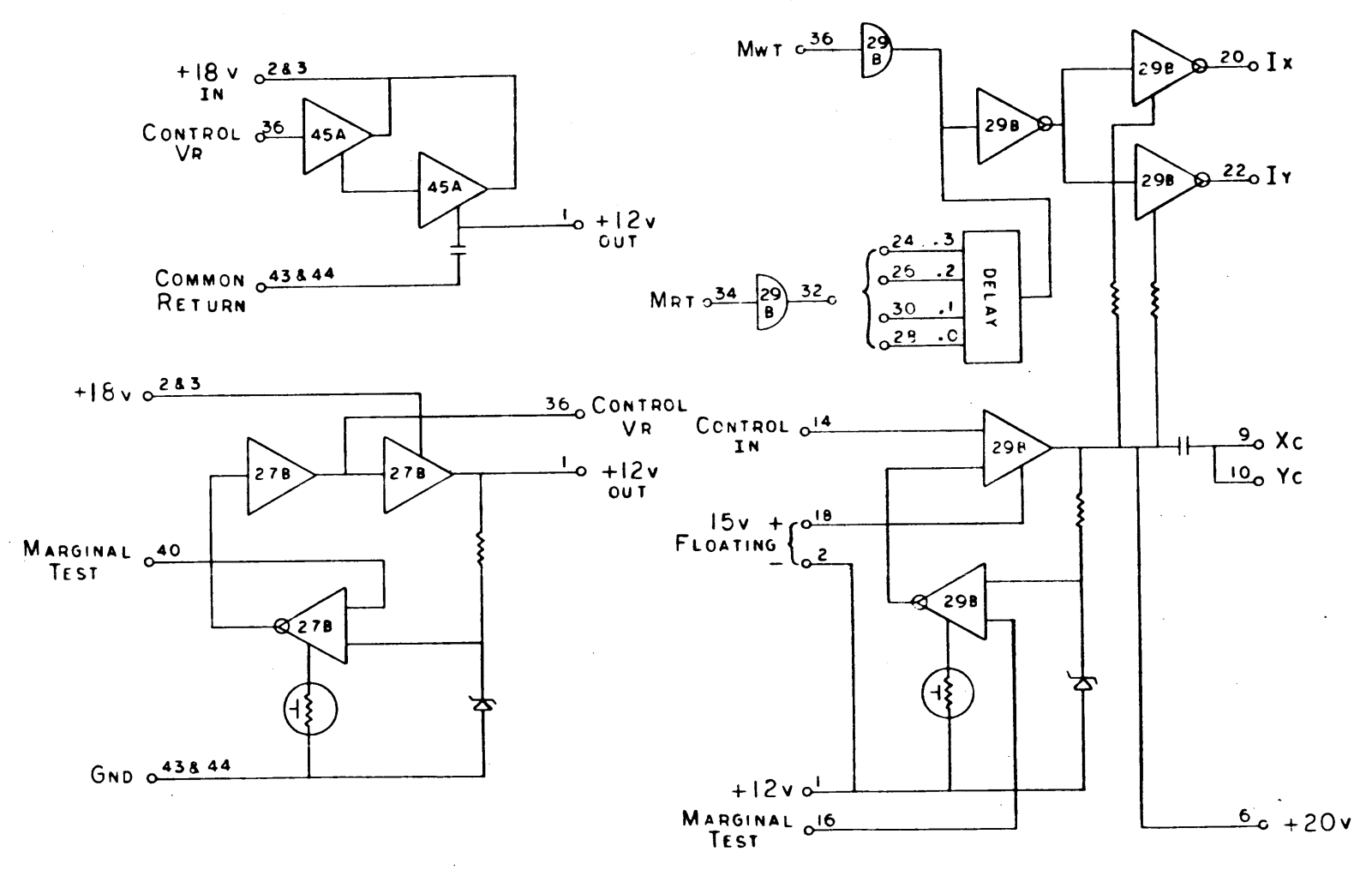
HK55
Selector Control
910-920
Page 134
C

206

101702 | C

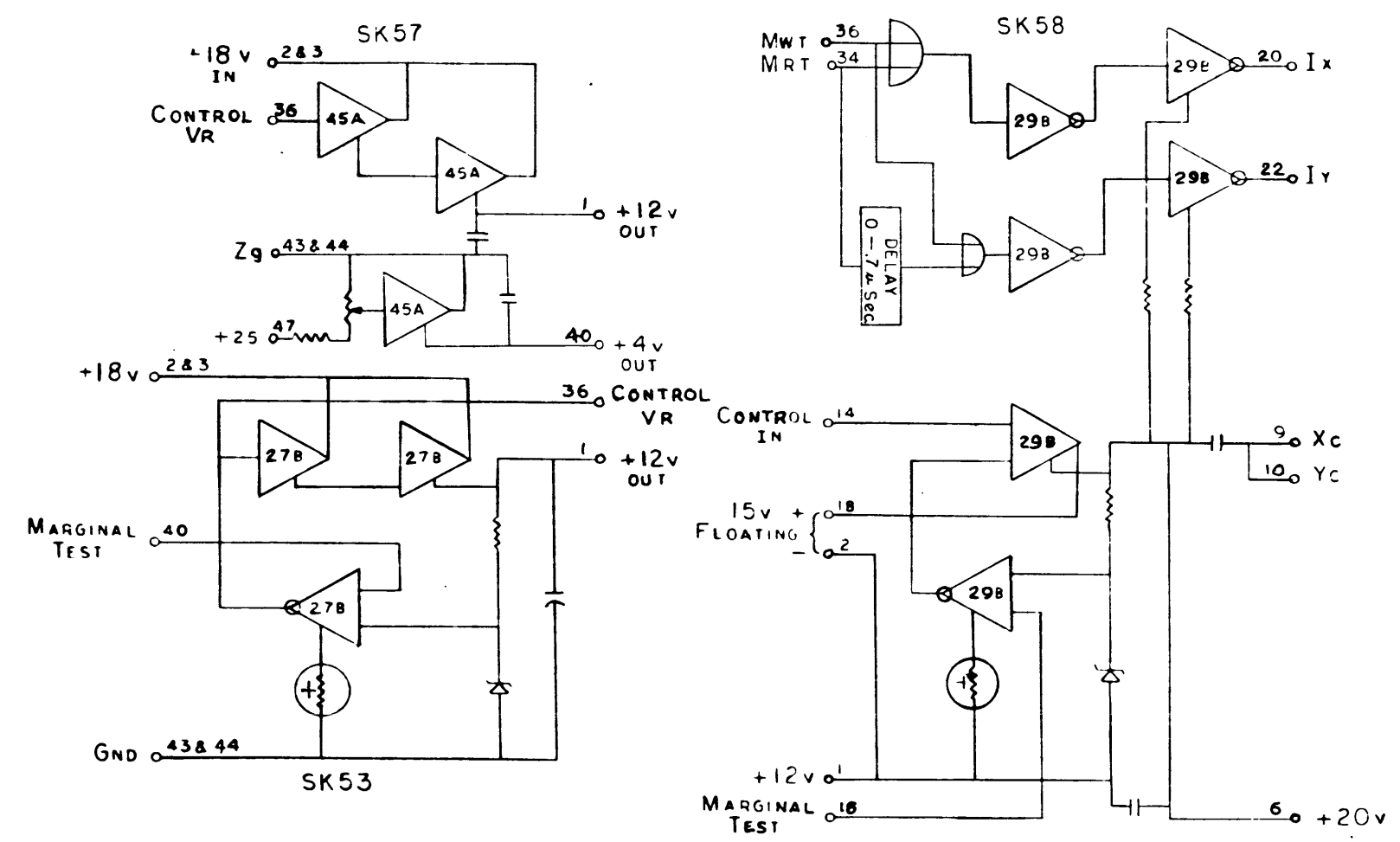
| NO. REV. | DRAWING NO. | DESCRIPTION | REFERENCE DESIGNATION | ITEM NO. |
|---|-------------|---|--|----------|
| NOTES UNLESS SPECIFIED 1. TOLERANCES: 22 ± .030 ANGULAR .50 ± .010 .10 ± .010 2. BREAK ALL SHARP EDGES .010 APPROX. 3. HATCH SURFACES ✓ 4. ALL DIM. IN INCHES | | | | |
| DRAWN: <i>D.E.T.</i> CHECK: <i>S.H.</i> APPR: <i>[Signature]</i> | | MATERIAL LIST: <i>1/15/63</i> <i>1/15/63</i> <i>1/14/63</i> | SDS SCIENTIFIC DATA SYSTEMS 1545 FIFTEENTH STREET SANTA MONICA, CALIFORNIA | |
| MODEL NO. 910 | | | TITLE: DIAGRAM, LOGIC COMPUTER | |
| NEXT ASSY. | | SEE: D DIMS NO. 101702 SCALE: DO NOT SCALE DRAWING | SHEET: C | |

207



DIAGRAM, LOGIC,
COMPUTER DWG. NO. 101702
Current & Voltage Regulator
910-920
Page 135

| REVISIONS | | REV | DESCRIPTION | CHK | DATE | BY |
|-----------|-----------------|-----|-------------|-----|------|----|
| A | RELEASED TO MFG | | | | | |
| D | SEE REV. E.O. | | | | | |



Current & Voltage Regulator
 910 - 920
 Page 135
 D

208

101701 D

| NO. REQ. | DRAWING NO. | DESCRIPTION | REFERENCE DESIGNATION | ITEM NO. |
|--|-------------|--|-----------------------|----------|
| MATERIAL LIST | | | | |
| NOTES UNLESS SPECIFIED | | DRAWN | CHECK | DATE |
| 1. TOLERANCES UNLESS SPECIFIED | | APPR | | |
| 2. DIMENSIONS ARE IN INCHES UNLESS OTHERWISE SPECIFIED | | | | |
| 3. BREAK ALL SHARP EDGES AND SURFACES | | | | |
| 4. ALL DIM. IN INCHES | | | | |
| | | 1625 PAVANITA STREET SANTA MONICA CALIFORNIA | | |
| | | TITLE DIAGRAM, LOGIC COMPUTER | | |
| MODEL NO. 910 | | REV. NO. D | DWG. NO. 101702 | D |
| MILIT. ARMY. | | SCALE | DO NOT SCALE DRAWING | SHEET |

209

| PAGE | CHG | PAGE | CHG | PAGE | CHG | PAGE | CHG | PAGE | CHG |
|------|-----|------|-----|------|-----|------|-----|------|-----|
| 1 | A | 41 | A | 81 | A | 121 | A | 161 | |
| 2 | A | 42 | A | 82 | A | 122 | A | 162 | |
| 3 | A | 43 | A | 83 | A | 123 | A | 163 | |
| 4 | A | 44 | A | 84 | B | 124 | A | 164 | |
| 5 | A | 45 | A | 85 | A | 125 | A | 165 | |
| 6 | A | 46 | A | 86 | A | 126 | A | 166 | |
| 7 | A | 47 | A | 87 | A | 127 | A | 167 | |
| 8 | A | 48 | A | 88 | A | 128 | A | 168 | |
| 9 | A | 49 | A | 89 | A | 129 | A | 169 | |
| 10 | A | 50 | A | 90 | A | 130 | A | 170 | |
| 11 | A | 51 | B | 91 | A | 131 | A | 171 | |
| 12 | A | 52 | A | 92 | A | 132 | A | 172 | |
| 13 | A | 53 | A | 93 | A | 133 | A | 173 | |
| 14 | A | 54 | A | 94 | A | 134 | A | 174 | |
| 15 | A | 55 | A | 95 | A | 135 | A | 175 | |
| 16 | A | 56 | A | 96 | A | | | 176 | |
| 17 | A | 57 | A | 97 | A | 137 | B | 177 | |
| 18 | A | 58 | A | 98 | A | 138 | | 178 | |
| 19 | A | 59 | A | 99 | A | 139 | | 179 | |
| 20 | A | 60 | A | 100 | A | 140 | | 180 | |
| 21 | A | 61 | A | 101 | A | 141 | | 181 | |
| 22 | A | 62 | A | 102 | A | 142 | | 182 | |
| 23 | A | 63 | A | 103 | A | 143 | | 183 | |
| 24 | A | 64 | B | 104 | A | 144 | | 184 | |
| 25 | A | 65 | A | 105 | A | 145 | | 185 | |
| 26 | A | 66 | A | 106 | A | 146 | | 186 | |
| 27 | A | 67 | A | 107 | A | 147 | | 187 | |
| 28 | A | 68 | A | 108 | A | 148 | | 188 | |
| 29 | A | 69 | A | 109 | A | 149 | | 189 | |
| 30 | A | 70 | A | 110 | A | 150 | | 190 | |
| 31 | A | 71 | A | 111 | A | 151 | | 191 | |
| 32 | A | 72 | A | 112 | A | 152 | | 192 | |
| 33 | A | 73 | A | 113 | A | 153 | | 193 | |
| 34 | A | 74 | A | 114 | A | 154 | | 194 | |
| 35 | A | 75 | A | 115 | A | 155 | | 195 | |
| 36 | A | 76 | A | 116 | A | 156 | | 196 | |
| 37 | A | 77 | A | 117 | A | 157 | | 197 | |
| 38 | A | 78 | A | 118 | A | 158 | | 198 | |
| 39 | A | 79 | A | 119 | A | 159 | | 199 | |
| 40 | A | 80 | A | 120 | A | 160 | | 200 | |

WIRE LIST 101080 A, B, C
Effective 910 S/N1104

NOTES:

1. REV. LETTERS LISTED INDICATE STATUS OF EACH SHEET OF THIS MULTIPLE SHEET DWG.
2. CHECK INDIVIDUAL SHEETS FOR REV. LETTER AGAINST THIS SHEET BEFORE USING THIS DWG.

| PAGE | CHG | PAGE | CHG | PAGE | CHG | PAGE | CHG | PAGE | CHG |
|------|-----|------|-----|------|-----|------|-----|------|-----|
| 1 | A | 41 | A | 81 | A | 121 | C | 161 | |
| 2 | A | 42 | A | 82 | A | 122 | C | 162 | |
| 3 | A | 43 | A | 83 | A | 123 | C | 163 | |
| 4 | A | 44 | A | 84 | B | 124 | C | 164 | |
| 5 | A | 45 | A | 85 | A | 125 | A | 165 | |
| 6 | A | 46 | A | 86 | A | 126 | A | 166 | |
| 7 | A | 47 | A | 87 | A | 127 | A | 167 | |
| 8 | A | 48 | A | 88 | A | 128 | A | 168 | |
| 9 | A | 49 | A | 89 | A | 129 | A | 169 | |
| 10 | A | 50 | A | 90 | A | 130 | A | 170 | |
| 11 | A | 51 | B | 91 | A | 131 | A | 171 | |
| 12 | A | 52 | A | 92 | A | 132 | A | 172 | |
| 13 | A | 53 | A | 93 | A | 133 | C | 173 | |
| 14 | A | 54 | A | 94 | A | 134 | C | 174 | |
| 15 | A | 55 | A | 95 | A | 135 | A | 175 | |
| 16 | A | 56 | A | 96 | A | | | 176 | |
| 17 | A | 57 | A | 97 | A | 137 | C | 177 | |
| 18 | A | 58 | A | 98 | A | 138 | | 178 | |
| 19 | A | 59 | A | 99 | A | 139 | | 179 | |
| 20 | A | 60 | A | 100 | A | 140 | | 180 | |
| 21 | A | 61 | A | 101 | A | 141 | | 181 | |
| 22 | A | 62 | A | 102 | A | 142 | | 182 | |
| 23 | A | 63 | A | 103 | A | 143 | | 183 | |
| 24 | A | 64 | B | 104 | A | 144 | | 184 | |
| 25 | A | 65 | A | 105 | A | 145 | | 185 | |
| 26 | A | 66 | A | 106 | A | 146 | | 186 | |
| 27 | A | 67 | A | 107 | A | 147 | | 187 | |
| 28 | A | 68 | A | 108 | A | 148 | | 188 | |
| 29 | A | 69 | A | 109 | A | 149 | | 189 | |
| 30 | A | 70 | A | 110 | A | 150 | | 190 | |
| 31 | A | 71 | A | 111 | A | 151 | | 191 | |
| 32 | A | 72 | A | 112 | A | 152 | | 192 | |
| 33 | A | 73 | A | 113 | A | 153 | | 193 | |
| 34 | A | 74 | A | 114 | A | 154 | | 194 | |
| 35 | A | 75 | A | 115 | A | 155 | | 195 | |
| 36 | A | 76 | A | 116 | A | 156 | | 196 | |
| 37 | A | 77 | A | 117 | C | 157 | | 197 | |
| 38 | A | 78 | A | 118 | C | 158 | | 198 | |
| 39 | A | 79 | A | 119 | C | 159 | | 199 | |
| 40 | A | 80 | A | 120 | C | 160 | | 200 | |

WIRE LIST 101080 A thru F
Effective 910 S/N 1108

210

NOTES:

1. REV. LETTERS LISTED INDICATE STATUS OF EACH SHEET OF THIS MULTIPLE SHEET DWG.
2. CHECK INDIVIDUAL SHEETS FOR REV. LETTER AGAINST THIS SHEET BEFORE USING THIS DWG.

211

| PAGE | CHG | PAGE | CHG | PAGE | CHG | PAGE | CHG | PAGE | CHG |
|------|-----|------|-----|------|-----|------|-----|------|-----|
| 1 | D | 41 | D | 81 | A | 121 | C | 161 | |
| 2 | A | 42 | A | 82 | A | 122 | C | 162 | |
| 3 | A | 43 | A | 83 | A | 123 | C | 163 | |
| 4 | A | 44 | A | 84 | B | 124 | C | 164 | |
| 5 | A | 45 | A | 85 | A | 125 | A | 165 | |
| 6 | A | 46 | A | 86 | A | 126 | A | 166 | |
| 7 | A | 47 | A | 87 | A | 127 | A | 167 | |
| 8 | A | 48 | A | 88 | A | 128 | A | 168 | |
| 9 | A | 49 | A | 89 | A | 129 | A | 169 | |
| 10 | A | 50 | A | 90 | A | 130 | A | 170 | |
| 11 | A | 51 | B | 91 | A | 131 | A | 171 | |
| 12 | A | 52 | A | 92 | A | 132 | A | 172 | |
| 13 | D | 53 | A | 93 | A | 133 | C | 173 | |
| 14 | A | 54 | A | 94 | A | 134 | C | 174 | |
| 15 | A | 55 | A | 95 | A | 135 | D | 175 | |
| 16 | A | 56 | A | 96 | A | | | 176 | |
| 17 | A | 57 | A | 97 | A | 137 | D | 177 | |
| 18 | A | 58 | A | 98 | A | 138 | D | 178 | |
| 19 | A | 59 | D | 99 | A | 139 | D | 179 | |
| 20 | A | 60 | D | 100 | A | 140 | D | 180 | |
| 21 | A | 61 | D | 101 | A | 141 | D | 181 | |
| 22 | D | 62 | A | 102 | D | 142 | | 182 | |
| 23 | A | 63 | A | 103 | A | 143 | | 183 | |
| 24 | A | 64 | B | 104 | A | 144 | | 184 | |
| 25 | D | 65 | D | 105 | A | 145 | | 185 | |
| 26 | A | 66 | A | 106 | D | 146 | | 186 | |
| 27 | A | 67 | A | 107 | A | 147 | | 187 | |
| 28 | A | 68 | A | 108 | D | 148 | | 188 | |
| 29 | A | 69 | A | 109 | A | 149 | | 189 | |
| 30 | D | 70 | A | 110 | A | 150 | | 190 | |
| 31 | A | 71 | A | 111 | D | 151 | | 191 | |
| 32 | D | 72 | A | 112 | D | 152 | | 192 | |
| 33 | A | 73 | A | 113 | D | 153 | | 193 | |
| 34 | A | 74 | A | 114 | D | 154 | | 194 | |
| 35 | A | 75 | A | 115 | A | 155 | | 195 | |
| 36 | A | 76 | A | 116 | A | 156 | | 196 | |
| 37 | A | 77 | A | 117 | C | 157 | | 197 | |
| 38 | A | 78 | A | 118 | C | 158 | | 198 | |
| 39 | A | 79 | A | 119 | C | 159 | | 199 | |
| 40 | D | 80 | A | 120 | C | 160 | | 200 | |

WIRE LIST 101080 A thru J
Effective 910 S/N 1113

NOTES:

1. REV. LETTERS LISTED INDICATE STATUS OF EACH SHEET OF THIS MULTIPLE SHEET DWG.
2. CHECK INDIVIDUAL SHEETS FOR REV. LETTER AGAINST THIS SHEET BEFORE USING THIS DWG.

| PAGE | CHG | PAGE | CHG | PAGE | CHG | PAGE | CHG | PAGE | CHG |
|------|-----|------|-----|------|-----|------|-----|------|-----|
| 1 | D | 41 | D | 81 | A | 121 | C | 161 | |
| 2 | A | 42 | A | 82 | A | 122 | C | 162 | |
| 3 | A | 43 | A | 83 | A | 123 | C | 163 | |
| 4 | A | 44 | A | 84 | B | 124 | C | 164 | |
| 5 | A | 45 | A | 85 | A | 125 | A | 165 | |
| 6 | A | 46 | A | 86 | A | 126 | A | 166 | |
| 7 | A | 47 | A | 87 | A | 127 | A | 167 | |
| 8 | A | 48 | A | 88 | A | 128 | A | 168 | |
| 9 | A | 49 | A | 89 | A | 129 | A | 169 | |
| 10 | A | 50 | A | 90 | A | 130 | A | 170 | |
| 11 | A | 51 | B | 91 | A | 131 | A | 171 | |
| 12 | A | 52 | A | 92 | A | 132 | A | 172 | |
| 13 | D | 53 | A | 93 | A | 133 | C | 173 | |
| 14 | A | 54 | A | 94 | A | 134 | C | 174 | |
| 15 | A | 55 | A | 95 | A | 135 | D | 175 | |
| 16 | A | 56 | A | 96 | A | | | 176 | |
| 17 | A | 57 | A | 97 | A | 137 | E | 177 | |
| 18 | A | 58 | A | 98 | A | 138 | D | 178 | |
| 19 | A | 59 | D | 99 | A | 139 | D | 179 | |
| 20 | A | 60 | D | 100 | A | 140 | D | 180 | |
| 21 | A | 61 | D | 101 | A | 141 | E | 181 | |
| 22 | D | 62 | A | 102 | D | 142 | E | 182 | |
| 23 | A | 63 | A | 103 | A | 143 | E | 183 | |
| 24 | A | 64 | B | 104 | A | 144 | E | 184 | |
| 25 | D | 65 | D | 105 | A | 145 | E | 185 | |
| 26 | A | 66 | A | 106 | D | 146 | E | 186 | |
| 27 | A | 67 | A | 107 | A | 147 | E | 187 | |
| 28 | A | 68 | A | 108 | D | 148 | E | 188 | |
| 29 | A | 69 | A | 109 | A | 149 | E | 189 | |
| 30 | D | 70 | A | 110 | A | 150 | E | 190 | |
| 31 | A | 71 | A | 111 | D | 151 | E | 191 | |
| 32 | D | 72 | A | 112 | D | 152 | E | 192 | |
| 33 | A | 73 | A | 113 | D | 153 | E | 193 | |
| 34 | A | 74 | A | 114 | D | 154 | E | 194 | |
| 35 | A | 75 | A | 115 | A | 155 | E | 195 | |
| 36 | A | 76 | A | 116 | A | 156 | | 196 | |
| 37 | A | 77 | A | 117 | C | 157 | | 197 | |
| 38 | A | 78 | A | 118 | C | 158 | | 198 | |
| 39 | A | 79 | A | 119 | C | 159 | | 199 | |
| 40 | D | 80 | A | 120 | C | 160 | | 200 | |

WIRE LIST 101080 K thru N
Effective 910 S/N 1118

212

NOTES:

1. REV. LETTERS LISTED INDICATE STATUS OF EACH SHEET OF THIS MULTIPLE SHEET DWG.
2. CHECK INDIVIDUAL SHEETS FOR REV. LETTER AGAINST THIS SHEET BEFORE USING THIS DWG.

213

| PAGE | CHG | PAGE | CHG | PAGE | CHG | PAGE | CHG | PAGE | CHG |
|------|-----|------|-----|------|-----|------|-----|------|-----|
| 1 | F | 41 | D | 81 | A | 121 | C | 161 | |
| 2 | A | 42 | A | 82 | A | 122 | C | 162 | |
| 3 | A | 43 | A | 83 | A | 123 | C | 163 | |
| 4 | A | 44 | A | 84 | B | 124 | C | 164 | |
| 5 | A | 45 | A | 85 | A | 125 | A | 165 | |
| 6 | A | 46 | A | 86 | A | 126 | A | 166 | |
| 7 | A | 47 | A | 87 | A | 127 | A | 167 | |
| 8 | A | 48 | A | 88 | A | 128 | A | 168 | |
| 9 | A | 49 | A | 89 | A | 129 | A | 169 | |
| 10 | A | 50 | A | 90 | A | 130 | A | 170 | |
| 11 | A | 51 | B | 91 | A | 131 | A | 171 | |
| 12 | A | 52 | A | 92 | F | 132 | A | 172 | |
| 13 | D | 53 | A | 93 | A | 133 | C | 173 | |
| 14 | A | 54 | A | 94 | A | 134 | C | 174 | |
| 15 | A | 55 | A | 95 | A | 135 | D | 175 | |
| 16 | A | 56 | A | 96 | A | | | 176 | |
| 17 | A | 57 | A | 97 | A | 137 | F | 177 | |
| 18 | A | 58 | A | 98 | A | 138 | D | 178 | |
| 19 | A | 59 | D | 99 | A | 139 | F | 179 | |
| 20 | A | 60 | D | 100 | F | 140 | D | 180 | |
| 21 | F | 61 | D | 101 | A | 141 | E | 181 | |
| 22 | D | 62 | A | 102 | D | 142 | E | 182 | |
| 23 | A | 63 | A | 103 | A | 143 | E | 183 | |
| 24 | A | 64 | B | 104 | A | 144 | E | 184 | |
| 25 | D | 65 | D | 105 | F | 145 | E | 185 | |
| 26 | F | 66 | F | 106 | D | 146 | E | 186 | |
| 27 | A | 67 | A | 107 | F | 147 | E | 187 | |
| 28 | A | 68 | A | 108 | D | 148 | E | 188 | |
| 29 | A | 69 | A | 109 | F | 149 | E | 189 | |
| 30 | D | 70 | A | 110 | F | 150 | E | 190 | |
| 31 | F | 71 | A | 111 | F | 151 | E | 191 | |
| 32 | F | 72 | A | 112 | F | 152 | E | 192 | |
| 33 | F | 73 | A | 113 | D | 153 | E | 193 | |
| 34 | A | 74 | A | 114 | D | 154 | E | 194 | |
| 35 | A | 75 | A | 115 | A | 155 | E | 195 | |
| 36 | A | 76 | A | 116 | A | 156 | F | 196 | |
| 37 | A | 77 | A | 117 | C | 157 | F | 197 | |
| 38 | A | 78 | A | 118 | C | 158 | | 198 | |
| 39 | F | 79 | A | 119 | C | 159 | | 199 | |
| 40 | D | 80 | A | 120 | C | 160 | | 200 | |

WIRE LIST 101080 P thru S
Effective 910 S/N 1124

NOTES:

1. REV. LETTERS LISTED INDICATE STATUS OF EACH SHEET OF THIS MULTIPLE SHEET DWG.
2. CHECK INDIVIDUAL SHEETS FOR REV. LETTER AGAINST THIS SHEET BEFORE USING THIS DWG.

| PAGE | CHG | PAGE | CHG | PAGE | CHG | PAGE | CHG | PAGE | CHG |
|------|-----|------|-----|------|-----|------|-----|------|-----|
| 1 | F | 41 | D | 81 | A | 121 | C | 161 | |
| 2 | A | 42 | A | 82 | A | 122 | C | 162 | |
| 3 | A | 43 | A | 83 | A | 123 | C | 163 | |
| 4 | A | 44 | A | 84 | B | 124 | C | 164 | |
| 5 | A | 45 | A | 85 | A | 125 | A | 165 | |
| 6 | A | 46 | A | 86 | A | 126 | A | 166 | |
| 7 | A | 47 | A | 87 | A | 127 | A | 167 | |
| 8 | A | 48 | A | 88 | A | 128 | A | 168 | |
| 9 | A | 49 | A | 89 | A | 129 | A | 169 | |
| 10 | A | 50 | A | 90 | A | 130 | A | 170 | |
| 11 | A | 51 | B | 91 | A | 131 | A | 171 | |
| 12 | A | 52 | A | 92 | F | 132 | A | 172 | |
| 13 | D | 53 | A | 93 | A | 133 | C | 173 | |
| 14 | A | 54 | A | 94 | A | 134 | C | 174 | |
| 15 | A | 55 | A | 95 | A | 135 | D | 175 | |
| 16 | A | 56 | A | 96 | A | | | 176 | |
| 17 | A | 57 | A | 97 | A | 137 | G | 177 | |
| 18 | A | 58 | A | 98 | A | 138 | D | 178 | |
| 19 | A | 59 | D | 99 | G | 139 | F | 179 | |
| 20 | A | 60 | D | 100 | F | 140 | D | 180 | |
| 21 | F | 61 | D | 101 | A | 141 | E | 181 | |
| 22 | D | 62 | A | 102 | D | 142 | E | 182 | |
| 23 | A | 63 | A | 103 | A | 143 | E | 183 | |
| 24 | A | 64 | B | 104 | A | 144 | E | 184 | |
| 25 | D | 65 | D | 105 | F | 145 | E | 185 | |
| 26 | F | 66 | G | 106 | D | 146 | E | 186 | |
| 27 | A | 67 | A | 107 | F | 147 | E | 187 | |
| 28 | A | 68 | A | 108 | D | 148 | E | 188 | |
| 29 | A | 69 | A | 109 | F | 149 | E | 189 | |
| 30 | D | 70 | A | 110 | F | 150 | E | 190 | |
| 31 | F | 71 | A | 111 | F | 151 | E | 191 | |
| 32 | F | 72 | A | 112 | F | 152 | E | 192 | |
| 33 | F | 73 | A | 113 | D | 153 | E | 193 | |
| 34 | A | 74 | A | 114 | D | 154 | E | 194 | |
| 35 | A | 75 | A | 115 | A | 155 | E | 195 | |
| 36 | A | 76 | A | 116 | A | 156 | F | 196 | |
| 37 | A | 77 | A | 117 | C | 157 | F | 197 | |
| 38 | A | 78 | A | 118 | C | 158 | | 198 | |
| 39 | F | 79 | A | 119 | C | 159 | | 199 | |
| 40 | D | 80 | A | 120 | C | 160 | | 200 | |

WIRE LIST 101080 T, U & V
Effective 910 S/N 1134

214

NOTES:

1. REV. LETTERS LISTED INDICATE STATUS OF EACH SHEET OF THIS MULTIPLE SHEET DWG.
2. CHECK INDIVIDUAL SHEETS FOR REV. LETTER AGAINST THIS SHEET BEFORE USING THIS DWG.

215

| PAGE | CHG | PAGE | CHG | PAGE | CHG | PAGE | CHG | PAGE | CHG |
|------|-----|------|-----|------|-----|------|-----|------|-----|
| 1 | F | 41 | D | 81 | A | 121 | C | 161 | |
| 2 | A | 42 | A | 82 | A | 122 | C | 162 | |
| 3 | A | 43 | A | 83 | A | 123 | C | 163 | |
| 4 | A | 44 | A | 84 | B | 124 | C | 164 | |
| 5 | A | 45 | A | 85 | A | 125 | A | 165 | |
| 6 | A | 46 | A | 86 | A | 126 | A | 166 | |
| 7 | A | 47 | A | 87 | A | 127 | A | 167 | |
| 8 | A | 48 | A | 88 | A | 128 | A | 168 | |
| 9 | A | 49 | A | 89 | A | 129 | A | 169 | |
| 10 | A | 50 | A | 90 | A | 130 | A | 170 | |
| 11 | A | 51 | B | 91 | A | 131 | A | 171 | |
| 12 | A | 52 | A | 92 | F | 132 | A | 172 | |
| 13 | D | 53 | A | 93 | A | 133 | C | 173 | |
| 14 | A | 54 | A | 94 | A | 134 | C | 174 | |
| 15 | A | 55 | A | 95 | A | 135 | D | 175 | |
| 16 | A | 56 | A | 96 | A | | | 176 | |
| 17 | A | 57 | A | 97 | A | 137 | H | 177 | |
| 18 | A | 58 | A | 98 | A | 138 | D | 178 | |
| 19 | A | 59 | D | 99 | G | 139 | F | 179 | |
| 20 | A | 60 | D | 100 | F | 140 | D | 180 | |
| 21 | F | 61 | D | 101 | A | 141 | E | 181 | |
| 22 | D | 62 | A | 102 | D | 142 | E | 182 | |
| 23 | A | 63 | A | 103 | A | 143 | E | 183 | |
| 24 | A | 64 | B | 104 | A | 144 | E | 184 | |
| 25 | D | 65 | D | 105 | F | 145 | E | 185 | |
| 26 | F | 66 | G | 106 | D | 146 | E | 186 | |
| 27 | A | 67 | A | 107 | F | 147 | E | 187 | |
| 28 | A | 68 | A | 108 | D | 148 | E | 188 | |
| 29 | A | 69 | A | 109 | F | 149 | E | 189 | |
| 30 | D | 70 | A | 110 | F | 150 | E | 190 | |
| 31 | H | 71 | A | 111 | H | 151 | E | 191 | |
| 32 | F | 72 | A | 112 | F | 152 | E | 192 | |
| 33 | F | 73 | A | 113 | D | 153 | E | 193 | |
| 34 | A | 74 | A | 114 | D | 154 | E | 194 | |
| 35 | A | 75 | A | 115 | A | 155 | E | 195 | |
| 36 | A | 76 | A | 116 | A | 156 | F | 196 | |
| 37 | A | 77 | A | 117 | C | 157 | F | 197 | |
| 38 | A | 78 | A | 118 | C | 158 | | 198 | |
| 39 | F | 79 | A | 119 | C | 159 | | 199 | |
| 40 | D | 80 | A | 120 | C | 160 | | 200 | |

WIRE LIST 101080 W
Effective 910 S/N 1171

NOTES:

1. REV. LETTERS LISTED INDICATE STATUS OF EACH SHEET OF THIS MULTIPLE SHEET DWG.
2. CHECK INDIVIDUAL SHEETS FOR REV. LETTER AGAINST THIS SHEET BEFORE USING THIS DWG.

| PAGE | CHG | PAGE | CHG | PAGE | CHG | PAGE | CHG | PAGE | CHG |
|------|-----|------|-----|------|-----|------|-----|------|-----|
| 1 | F | 41 | D | 81 | A | 121 | C | 161 | |
| 2 | A | 42 | A | 82 | A | 122 | C | 162 | |
| 3 | A | 43 | A | 83 | A | 123 | C | 163 | |
| 4 | A | 44 | A | 84 | B | 124 | C | 164 | |
| 5 | A | 45 | A | 85 | A | 125 | A | 165 | |
| 6 | A | 46 | A | 86 | A | 126 | A | 166 | |
| 7 | A | 47 | A | 87 | A | 127 | A | 167 | |
| 8 | A | 48 | A | 88 | A | 128 | A | 168 | |
| 9 | A | 49 | A | 89 | A | 129 | A | 169 | |
| 10 | A | 50 | A | 90 | A | 130 | A | 170 | |
| 11 | A | 51 | B | 91 | A | 131 | A | 171 | |
| 12 | A | 52 | A | 92 | F | 132 | A | 172 | |
| 13 | D | 53 | A | 93 | J | 133 | C | 173 | |
| 14 | A | 54 | A | 94 | A | 134 | C | 174 | |
| 15 | A | 55 | A | 95 | A | 135 | D | 175 | |
| 16 | A | 56 | A | 96 | A | | | 176 | |
| 17 | A | 57 | A | 97 | A | 137 | J | 177 | |
| 18 | A | 58 | A | 98 | A | 138 | D | 178 | |
| 19 | A | 59 | D | 99 | G | 139 | F | 179 | |
| 20 | A | 60 | D | 100 | F | 140 | D | 180 | |
| 21 | F | 61 | D | 101 | A | 141 | E | 181 | |
| 22 | D | 62 | A | 102 | D | 142 | E | 182 | |
| 23 | A | 63 | A | 103 | A | 143 | E | 183 | |
| 24 | A | 64 | B | 104 | A | 144 | E | 184 | |
| 25 | D | 65 | D | 105 | J | 145 | E | 185 | |
| 26 | F | 66 | G | 106 | D | 146 | E | 186 | |
| 27 | A | 67 | A | 107 | F | 147 | E | 187 | |
| 28 | A | 68 | J | 108 | D | 148 | E | 188 | |
| 29 | A | 69 | A | 109 | F | 149 | E | 189 | |
| 30 | D | 70 | A | 110 | J | 150 | E | 190 | |
| 31 | H | 71 | A | 111 | J | 151 | E | 191 | |
| 32 | F | 72 | A | 112 | F | 152 | E | 192 | |
| 33 | F | 73 | A | 113 | D | 153 | E | 193 | |
| 34 | A | 74 | A | 114 | D | 154 | E | 194 | |
| 35 | A | 75 | A | 115 | A | 155 | E | 195 | |
| 36 | A | 76 | A | 116 | A | 156 | F | 196 | |
| 37 | A | 77 | A | 117 | C | 157 | F | 197 | |
| 38 | A | 78 | A | 118 | C | 158 | | 198 | |
| 39 | F | 79 | A | 119 | C | 159 | | 199 | |
| 40 | D | 80 | A | 120 | C | 160 | | 200 | |

WIRE LIST 101080 X
Effective 910 S/N 1191

216

NOTES:

1. REV. LETTERS LISTED INDICATE STATUS OF EACH SHEET OF THIS MULTIPLE SHEET DWG.
2. CHECK INDIVIDUAL SHEETS FOR REV. LETTER AGAINST THIS SHEET BEFORE USING THIS DWG.

217

| PAGE | CHG | PAGE | CHG | PAGE | CHG | PAGE | CHG | PAGE | CHG |
|------|-----|------|-----|------|-----|------|-----|------|-----|
| 1 | F | 41 | D | 81 | A | 121 | C | 161 | |
| 2 | A | 42 | A | 82 | A | 122 | C | 162 | |
| 3 | A | 43 | A | 83 | A | 123 | C | 163 | |
| 4 | A | 44 | A | 84 | B | 124 | C | 164 | |
| 5 | A | 45 | A | 85 | A | 125 | A | 165 | |
| 6 | A | 46 | A | 86 | A | 126 | A | 166 | |
| 7 | A | 47 | A | 87 | A | 127 | A | 167 | |
| 8 | A | 48 | A | 88 | A | 128 | A | 168 | |
| 9 | A | 49 | A | 89 | A | 129 | A | 169 | |
| 10 | A | 50 | A | 90 | A | 130 | A | 170 | |
| 11 | A | 51 | B | 91 | A | 131 | A | 171 | |
| 12 | A | 52 | A | 92 | F | 132 | A | 172 | |
| 13 | D | 53 | A | 93 | J | 133 | C | 173 | |
| 14 | A | 54 | A | 94 | A | 134 | C | 174 | |
| 15 | A | 55 | A | 95 | A | 135 | D | 175 | |
| 16 | A | 56 | A | 96 | A | | | 176 | |
| 17 | A | 57 | A | 97 | A | 137 | K | 177 | |
| 18 | A | 58 | A | 98 | A | 138 | D | 178 | |
| 19 | A | 59 | K | 99 | G | 139 | F | 179 | |
| 20 | A | 60 | D | 100 | F | 140 | D | 180 | |
| 21 | K | 61 | D | 101 | A | 141 | E | 181 | |
| 22 | D | 62 | A | 102 | D | 142 | E | 182 | |
| 23 | A | 63 | A | 103 | A | 143 | E | 183 | |
| 24 | A | 64 | B | 104 | A | 144 | E | 184 | |
| 25 | K | 65 | D | 105 | J | 145 | E | 185 | |
| 26 | F | 66 | G | 106 | D | 146 | E | 186 | |
| 27 | A | 67 | A | 107 | F | 147 | E | 187 | |
| 28 | A | 68 | J | 108 | D | 148 | F | 188 | |
| 29 | A | 69 | A | 109 | F | 149 | E | 189 | |
| 30 | D | 70 | A | 110 | J | 150 | K | 190 | |
| 31 | K | 71 | A | 111 | K | 151 | E | 191 | |
| 32 | F | 72 | A | 112 | F | 152 | E | 192 | |
| 33 | F | 73 | A | 113 | D | 153 | E | 193 | |
| 34 | A | 74 | A | 114 | D | 154 | E | 194 | |
| 35 | A | 75 | A | 115 | A | 155 | E | 195 | |
| 36 | A | 76 | A | 116 | A | 156 | F | 196 | |
| 37 | A | 77 | A | 117 | C | 157 | F | 197 | |
| 38 | A | 78 | A | 118 | C | 158 | | 198 | |
| 39 | F | 79 | A | 119 | C | 159 | | 199 | |
| 40 | D | 80 | A | 120 | C | 160 | | 200 | |

WIRE LIST 101080 Y
Effective 910 S/N 1205

NOTES:

1. REV. LETTERS LISTED INDICATE STATUS OF EACH SHEET OF THIS MULTIPLE SHEET DWG.
2. CHECK INDIVIDUAL SHEETS FOR REV. LETTER AGAINST THIS SHEET BEFORE USING THIS DWG.

| PAGE | CHG | PAGE | CHG | PAGE | CHG | PAGE | CHG | PAGE | CHG |
|------|-----|------|-----|-------|-----|------|-----|------|-----|
| 1 | F | 41 | D | 81 | A | 121 | C | 161 | |
| 2 | A | 42 | A | 82 | A | 122 | C | 162 | |
| 3 | A | 43 | A | 83 | A | 123 | C | 163 | |
| 4 | A | 44 | A | 84 | B | 124 | C | 164 | |
| 5 | A | 45 | A | 85 | A | 125 | A | 165 | |
| 6 | A | 46 | A | 86 | A | 126 | A | 166 | |
| 7 | A | 47 | A | 87 | A | 127 | A | 167 | |
| 8 | A | 48 | A | 88 | A | 128 | A | 168 | |
| 9 | A | 49 | A | 89 | A | 129 | A | 169 | |
| 10 | A | 50 | A | 90 | A | 130 | A | 170 | |
| 11 | A | 51 | B | 91 | A | 131 | A | 171 | |
| 12 | A | 52 | A | 92 | F | 132 | A | 172 | |
| 13 | D | 53 | A | 93 | J | 133 | C | 173 | |
| 14 | A | 54 | A | 94 | A | 134 | C | 174 | |
| 15 | A | 55 | A | 95 | A | 135 | D | 175 | |
| 16 | A | 56 | A | 96 | A | | | 176 | |
| 17 | A | 57 | A | 97 | A | 137 | L | 177 | |
| 18 | A | 58 | A | 98 | A | 138 | D | 178 | |
| 19 | A | 59 | K | 99 | G | 139 | F | 179 | |
| 20 | A | 60 | D | * 100 | L | 140 | D | 180 | |
| 21 | K | 61 | D | 101 | A | 141 | E | 181 | |
| 22 | D | 62 | A | 102 | D | 142 | E | 182 | |
| 23 | A | 63 | A | 103 | A | 143 | E | 183 | |
| 24 | A | 64 | B | 104 | A | 144 | E | 184 | |
| 25 | K | 65 | D | 105 | J | 145 | E | 185 | |
| 26 | F | 66 | G | 106 | D | 146 | E | 186 | |
| 27 | A | 67 | A | 107 | F | 147 | E | 187 | |
| 28 | A | 68 | J | 108 | D | 148 | E | 188 | |
| 29 | A | 69 | A | 109 | F | 149 | E | 189 | |
| 30 | D | 70 | A | 110 | J | 150 | K | 190 | |
| 31 | K | 71 | A | 111 | K | 151 | E | 191 | |
| 32 | F | 72 | A | 112 | F | 152 | E | 192 | |
| 33 | F | 73 | A | 113 | L | 153 | E | 193 | |
| 34 | A | 74 | A | 114 | D | 154 | E | 194 | |
| 35 | A | 75 | A | 115 | A | 155 | E | 195 | |
| 36 | A | 76 | A | 116 | A | 156 | F | 196 | |
| 37 | A | 77 | A | 117 | C | 157 | F | 197 | |
| 38 | A | 78 | A | 118 | C | 158 | | 198 | |
| 39 | F | 79 | A | 119 | C | 159 | | 199 | |
| 40 | D | 80 | A | 120 | C | 160 | | 200 | |

WIRE LIST 101080 Z
Effective 910 S/N 1205
NO WIRING CHANGES*

218

NOTES:

1. REV. LETTERS LISTED INDICATE STATUS OF EACH SHEET OF THIS MULTIPLE SHEET DWG.
2. CHECK INDIVIDUAL SHEETS FOR REV. LETTER AGAINST THIS SHEET BEFORE USING THIS DWG.

219

| PAGE | CHG | PAGE | CHG | PAGE | CHG | PAGE | CHG | PAGE | CHG |
|------|-----|------|-----|------|-----|------|-----|------|-----|
| 1 | F | 41 | D | 81 | A | 121 | C | 161 | |
| 2 | A | 42 | A | 82 | A | 122 | C | 162 | |
| 3 | A | 43 | A | 83 | A | 123 | C | 163 | |
| 4 | A | 44 | A | 84 | B | 124 | C | 164 | |
| 5 | A | 45 | A | 85 | A | 125 | A | 165 | |
| 6 | A | 46 | A | 86 | A | 126 | A | 166 | |
| 7 | A | 47 | A | 87 | A | 127 | A | 167 | |
| 8 | A | 48 | A | 88 | A | 128 | A | 168 | |
| 9 | A | 49 | A | 89 | A | 129 | A | 169 | |
| 10 | A | 50 | A | 90 | A | 130 | A | 170 | |
| 11 | A | 51 | B | 91 | A | 131 | A | 171 | |
| 12 | A | 52 | A | 92 | F | 132 | A | 172 | |
| 13 | D | 53 | A | 93 | J | 133 | C | 173 | |
| 14 | A | 54 | A | 94 | A | 134 | C | 174 | |
| 15 | A | 55 | A | 95 | A | 135 | D | 175 | |
| 16 | M | 56 | A | 96 | A | | | 176 | |
| 17 | A | 57 | A | 97 | A | 137 | M | 177 | |
| 18 | A | 58 | A | 98 | A | 138 | D | 178 | |
| 19 | A | 59 | K | 99 | G | 139 | F | 179 | |
| 20 | A | 60 | D | 100 | L | 140 | D | 180 | |
| 21 | K | 61 | D | 101 | A | 141 | E | 181 | |
| 22 | D | 62 | A | 102 | D | 142 | E | 182 | |
| 23 | A | 63 | A | 103 | A | 143 | E | 183 | |
| 24 | A | 64 | B | 104 | A | 144 | E | 184 | |
| 25 | K | 65 | D | 105 | J | 145 | E | 185 | |
| 26 | F | 66 | G | 106 | D | 146 | E | 186 | |
| 27 | A | 67 | A | 107 | F | 147 | E | 187 | |
| 28 | A | 68 | J | 108 | D | 148 | E | 188 | |
| 29 | A | 69 | A | 109 | F | 149 | E | 189 | |
| 30 | D | 70 | A | 110 | J | 150 | K | 190 | |
| 31 | K | 71 | A | 111 | M | 151 | E | 191 | |
| 32 | F | 72 | A | 112 | F | 152 | E | 192 | |
| 33 | F | 73 | A | 113 | L | 153 | E | 193 | |
| 34 | A | 74 | A | 114 | D | 154 | E | 194 | |
| 35 | A | 75 | A | 115 | A | 155 | E | 195 | |
| 36 | A | 76 | A | 116 | A | 156 | F | 196 | |
| 37 | A | 77 | A | 117 | C | 157 | F | 197 | |
| 38 | A | 78 | A | 118 | C | 158 | | 198 | |
| 39 | F | 79 | A | 119 | C | 159 | | 199 | |
| 40 | D | 80 | A | 120 | C | 160 | | 200 | |

WIRE LIST 101080 AA & AB

Effective S/N 1220 for AA

S/N 1224 for AB

AA: RUNNING TIME METER

AB: MISTAKE IN 101080W

NO LOGIC CHANGE

NOTES:

1. REV. LETTERS LISTED INDICATE STATUS OF EACH SHEET OF THIS MULTIPLE SHEET DWG.
2. CHECK INDIVIDUAL SHEETS FOR REV. LETTER AGAINST THIS SHEET BEFORE USING THIS DWG.

| PAGE | CHG | PAGE | CHG | PAGE | CHG | PAGE | CHG | PAGE | CHG |
|------|-----|------|-----|------|-----|------|-----|------|-----|
| 1 | F | 41 | D | 81 | A | 118 | C | | |
| 2 | A | 42 | A | 82 | A | 119 | C | | |
| 3 | A | 43 | A | 83 | A | 120 | C | | |
| 4 | A | 44 | A | 84 | B | 121 | C | | |
| 5 | A | 45 | A | 85 | A | 122 | C | | |
| 6 | A | 46 | A | 86 | A | 123 | C | | |
| 7 | A | 47 | A | 87 | A | 124 | C | | |
| 8 | A | 48 | A | 88 | A | 125 | A | | |
| 9 | A | 49 | A | 89 | A | 126 | A | | |
| 10 | A | 50 | A | 90 | A | 127 | A | | |
| 11 | A | 51 | B | 91 | A | 128 | A | | |
| 12 | A | 52 | A | 92 | F | 129 | A | | |
| 13 | D | 53 | A | 93 | J | 130 | A | | |
| 14 | A | 54 | A | 94 | A | 131 | A | | |
| 15 | A | 55 | A | 95 | A | 132 | A | | |
| 16 | M | 56 | A | 96 | A | 133 | C | | |
| 17 | A | 57 | A | 97 | A | 134 | C | | |
| 18 | A | 58 | A | 98 | A | 135 | D | | |
| 19 | A | 59 | K | 99 | G | 136 | M | | |
| 20 | A | 60 | D | 100 | L | 137 | N | | |
| 21 | K | 61 | D | 101 | A | 138 | D | | |
| 22 | D | 62 | A | 102 | D | 139 | F | | |
| 23 | A | 63 | A | 103 | A | 140 | D | | |
| 24 | A | 64 | B | 104 | N | 141 | E | | |
| 25 | K | 65 | D | 105 | J | 142 | E | | |
| 26 | F | 66 | G | 106 | D | 143 | E | | |
| 27 | A | 67 | A | 106A | N | 144 | E | | |
| 28 | A | 68 | J | 106B | N | 145 | E | | |
| 29 | A | 69 | A | 107 | F | 146 | E | | |
| 30 | D | 70 | A | 108 | D | 147 | E | | |
| 31 | K | 71 | A | 108A | N | 148 | N | | |
| 32 | F | 72 | A | 109 | F | 149 | E | | |
| 33 | F | 73 | A | 110 | J | 150 | K | | |
| 34 | A | 74 | A | 111 | M | 155 | E | | |
| 35 | A | 75 | A | 112 | F | 156 | F | | |
| 36 | A | 76 | A | 113 | L | 157 | F | | |
| 37 | A | 77 | A | 114 | D | | | | |
| 38 | A | 78 | A | 115 | A | | | | |
| 39 | F | 79 | A | 116 | A | | | | |
| 40 | D | 80 | A | 117 | C | | | | |

EFFECTIVITY: NONE, General Updatings and additions only.

NOTES:

1. REV. LETTERS LISTED INDICATE STATUS OF EACH SHEET OF THIS MULTIPLE SHEET DWG.
2. CHECK INDIVIDUAL SHEETS FOR REV. LETTER AGAINST THIS SHEET BEFORE USING THIS DWG.

| PAGE | CHG | PAGE | CHG | PAGE | CHG | PAGE | CHG | PAGE | CHG |
|------|-----|------|-----|------|-----|------|-----|------|-----|
| 1 | F | 41 | D | 81 | A | 118 | C | | |
| 2 | A | 42 | A | 82 | A | 119 | C | | |
| 3 | A | 43 | A | 83 | A | 120 | C | | |
| 4 | A | 44 | A | 84 | B | 121 | C | | |
| 5 | A | 45 | A | 85 | A | 122 | C | | |
| 6 | A | 46 | A | 86 | A | 123 | C | | |
| 7 | A | 47 | A | 87 | A | 124 | C | | |
| 8 | A | 48 | A | 88 | A | 125 | A | | |
| 9 | A | 49 | A | 89 | A | 126 | A | | |
| 10 | A | 50 | A | 90 | A | 127 | A | | |
| 11 | A | 51 | B | 91 | A | 128 | A | | |
| 12 | A | 52 | A | 92 | F | 129 | A | | |
| 13 | D | 53 | A | 93 | J | 130 | A | | |
| 14 | A | 54 | A | 94 | A | 131 | A | | |
| 15 | A | 55 | A | 95 | A | 132 | A | | |
| 16 | P | 56 | A | 96 | A | 133 | C | | |
| 17 | A | 57 | A | 97 | A | 134 | C | | |
| 18 | A | 58 | A | 98 | A | 135 | D | | |
| 19 | A | 59 | K | 99 | G | 136 | M | | |
| 20 | A | 60 | D | 100 | L | 137 | P | | |
| 21 | K | 61 | D | 101 | A | 138 | D | | |
| 22 | D | 62 | A | 102 | D | 139 | F | | |
| 23 | A | 63 | A | 103 | A | 140 | D | | |
| 24 | A | 64 | B | 104 | N | 141 | E | | |
| 25 | K | 65 | D | 105 | J | 142 | E | | |
| 26 | F | 66 | G | 106 | D | 143 | E | | |
| 27 | A | 67 | A | 106A | N | 144 | E | | |
| 28 | A | 68 | J | 106B | N | 145 | E | | |
| 29 | A | 69 | A | 107 | F | 146 | E | | |
| 30 | D | 70 | A | 108 | D | 147 | E | | |
| 31 | K | 71 | A | 108A | N | 148 | N | | |
| 32 | F | 72 | A | 109 | F | 149 | E | | |
| 33 | F | 73 | A | 110 | J | 150 | K | | |
| 34 | A | 74 | A | 111 | M | 155 | E | | |
| 35 | A | 75 | A | 112 | F | 156 | F | | |
| 36 | A | 76 | A | 113 | L | 157 | F | | |
| 37 | A | 77 | A | 114 | D | | | | |
| 38 | A | 78 | A | 115 | A | | | | |
| 39 | F | 79 | A | 116 | A | | | | |
| 40 | D | 80 | A | 117 | C | | | | |

NOTES:
1. REV. LETTERS LISTED INDICATE STATUS OF EACH SHEET OF THIS MULTIPLE SHEET DWG.
2. CHECK INDIVIDUAL SHEETS FOR REV. LETTER AGAINST THIS SHEET BEFORE USING THIS DWG.

DIAGRAM, LOGIC,
COMPUTER DWG. NO. 101702

221

| PAGE | CHG | PAGE | CHG | PAGE | CHG | PAGE | CHG | PAGE | CHG |
|------|-----|------|-----|------|-----|------|-----|------|-----|
| 1 | F | 41 | D | 81 | A | 118 | C | | |
| 2 | A | 42 | A | 82 | A | 119 | C | | |
| 3 | A | 43 | A | 83 | A | 120 | C | | |
| 4 | A | 44 | A | 84 | B | 121 | C | | |
| 5 | A | 45 | A | 85 | A | 122 | C | | |
| 6 | A | 46 | A | 86 | A | 123 | C | | |
| 7 | A | 47 | A | 87 | A | 124 | C | | |
| 8 | A | 48 | A | 88 | A | 125 | A | | |
| 9 | A | 49 | A | 89 | A | 126 | A | | |
| 10 | A | 50 | A | 90 | A | 127 | A | | |
| 11 | A | 51 | B | 91 | A | 128 | A | | |
| 12 | A | 52 | A | 92 | F | 129 | A | | |
| 13 | D | 53 | A | 93 | J | 130 | A | | |
| 14 | A | 54 | A | 94 | A | 131 | A | | |
| 15 | A | 55 | A | 95 | A | 132 | A | | |
| 16 | P | 56 | A | 96 | A | 133 | C | | |
| 17 | A | 57 | A | 97 | A | 134 | C | | |
| 18 | A | 58 | A | 98 | A | 135 | D | | |
| 19 | A | 59 | K | 99 | G | 136 | M | | |
| 20 | A | 60 | D | 100 | L | 137 | R | | |
| 21 | K | 61 | D | 101 | A | 138 | D | | |
| 22 | D | 62 | A | 102 | D | 139 | F | | |
| 23 | A | 63 | A | 103 | A | 140 | D | | |
| 24 | A | 64 | B | 104 | N | 141 | E | | |
| 25 | K | 65 | D | 105 | J | 142 | E | | |
| 26 | F | 66 | G | 106 | D | 143 | E | | |
| 27 | A | 67 | A | 106A | N | 144 | E | | |
| 28 | A | 68 | R | 106B | N | 145 | F | | |
| 29 | A | 69 | A | 107 | F | 146 | E | | |
| 30 | D | 70 | A | 108 | D | 147 | E | | |
| 31 | K | 71 | A | 108A | N | 148 | N | | |
| 32 | F | 72 | A | 109 | F | 149 | E | | |
| 33 | F | 73 | A | 110 | J | 150 | K | | |
| 34 | A | 74 | A | 111 | M | 155 | E | | |
| 35 | A | 75 | A | 112 | F | 156 | F | | |
| 36 | A | 76 | A | 113 | L | 157 | F | | |
| 37 | A | 77 | A | 114 | D | | | | |
| 38 | A | 78 | A | 115 | A | | | | |
| 39 | F | 79 | A | 116 | A | | | | |
| 40 | D | 80 | A | 117 | C | | | | |

NOTES:
 1. REV. LETTERS LISTED INDICATE STATUS OF EACH SHEET OF THIS MULTIPLE SHEET DWG.
 2. CHECK INDIVIDUAL SHEETS FOR REV. LETTER AGAINST THIS SHEET BEFORE USING THIS DWG.

DIAGRAM, LOGIC,
 COMPUTER DWG. NO. 101702

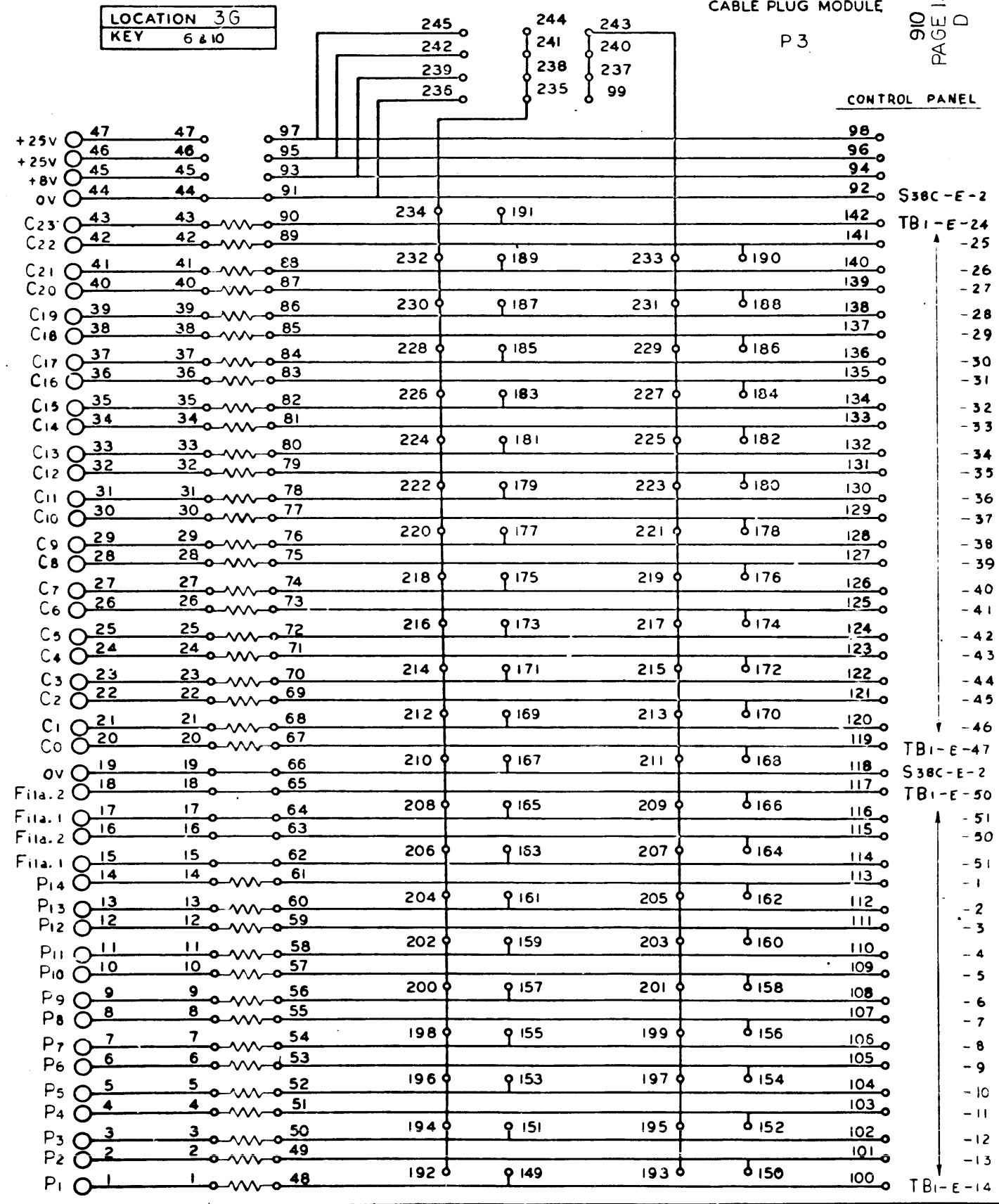
| REVISIONS | | | | |
|-----------|-------------|-----|------|----------|
| REV | DESCRIPTION | CHK | DATE | APPROVED |
| 0 | SEE REV. F. | | | |

LOCATION 3G
KEY 6 & 10

CABLE PLUG MODULE
P3

910
PAGE 138
D

CONTROL PANEL



223

10702 D

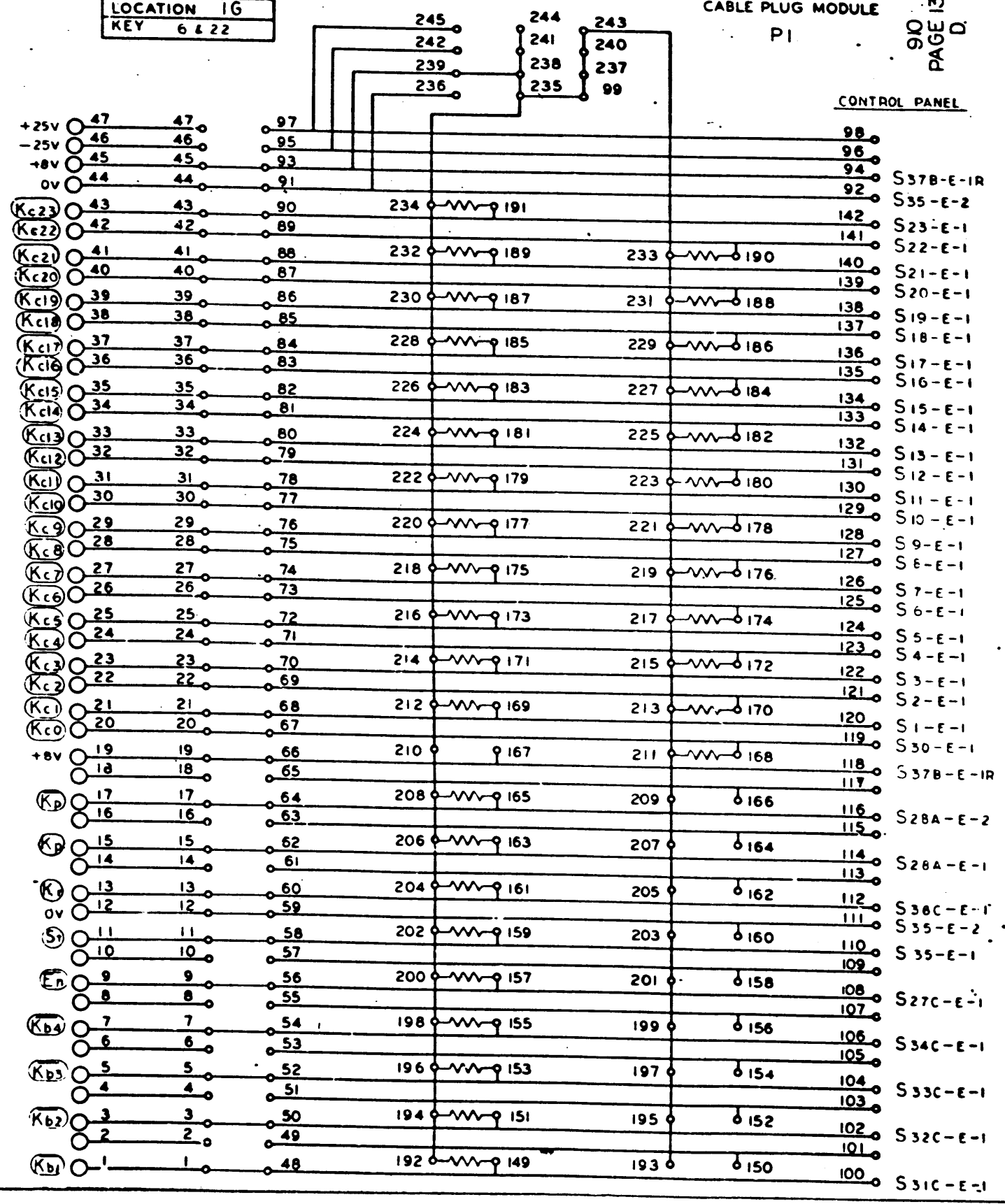
| NO. REQ. | DRAWING NO. | DESCRIPTION | REFERENCE DESIGNATION | ITEM NO. |
|--------------------------------------|-------------|-------------|---|----------------------|
| MATERIAL LIST | | | | |
| NOTES UNLESS SPECIFIED | | DRAWN | <div style="text-align: center;"> <p>1525 FIFTEENTH STREET SANTA MONICA CALIFORNIA</p> <p>TITLE DIAGRAM, LOGIC COMPUTER</p> </div> | |
| 1. TOLERANCES UNLESS SPECIFIED | | CHECK | | |
| 2. BREAK ALL SHARP EDGES AND APPROX. | | APPR. | | |
| 3. HATCH SURFACES | | | <div style="text-align: center;"> <p>MODEL NO. 910</p> <p>SIZE D DWG NO. 10702 SHEET D</p> </div> | |
| 4. ALL DIM. IN INCHES | | | SCALE | DO NOT SCALE DRAWING |

| REVISIONS | | | |
|-----------|-------------|----------|----------|
| REV | DESCRIPTION | CHK DATE | APPROVED |
| D | SEE FIG. EC | | 2/5 |

LOCATION 1G
KEY 6 & 22

CABLE PLUG MODULE
PI

910
PAGE D



| NO | DESCRIPTION | REFERENCE DESIGNATION | QTY |
|--|-------------|--|--------|
| MATERIAL LIST | | | |
| NOTES UNLESS SPECIFIED: 1. DIMENSIONS IN INCHES UNLESS OTHERWISE SPECIFIED 2. BREAK ALL SHARP CORNERS 3. HATCH SURFACES 4. ALL DIM IN DIMENSIONS | | | |
| DRAWN: [] CHECK: [] APPR: [] | | TITLE SDS SOHOGRAPH DATA SYSTEMS 1045 POTTER STREET SANTA MONICA CALIFORNIA DIAGRAM, LOGIC COMPUTER | |
| MODEL NO | 910 | FILE NO | 101702 |
| NEXT ASSY | | REV | D |
| | | DO NOT SCALE DRAWING | |

101702 D

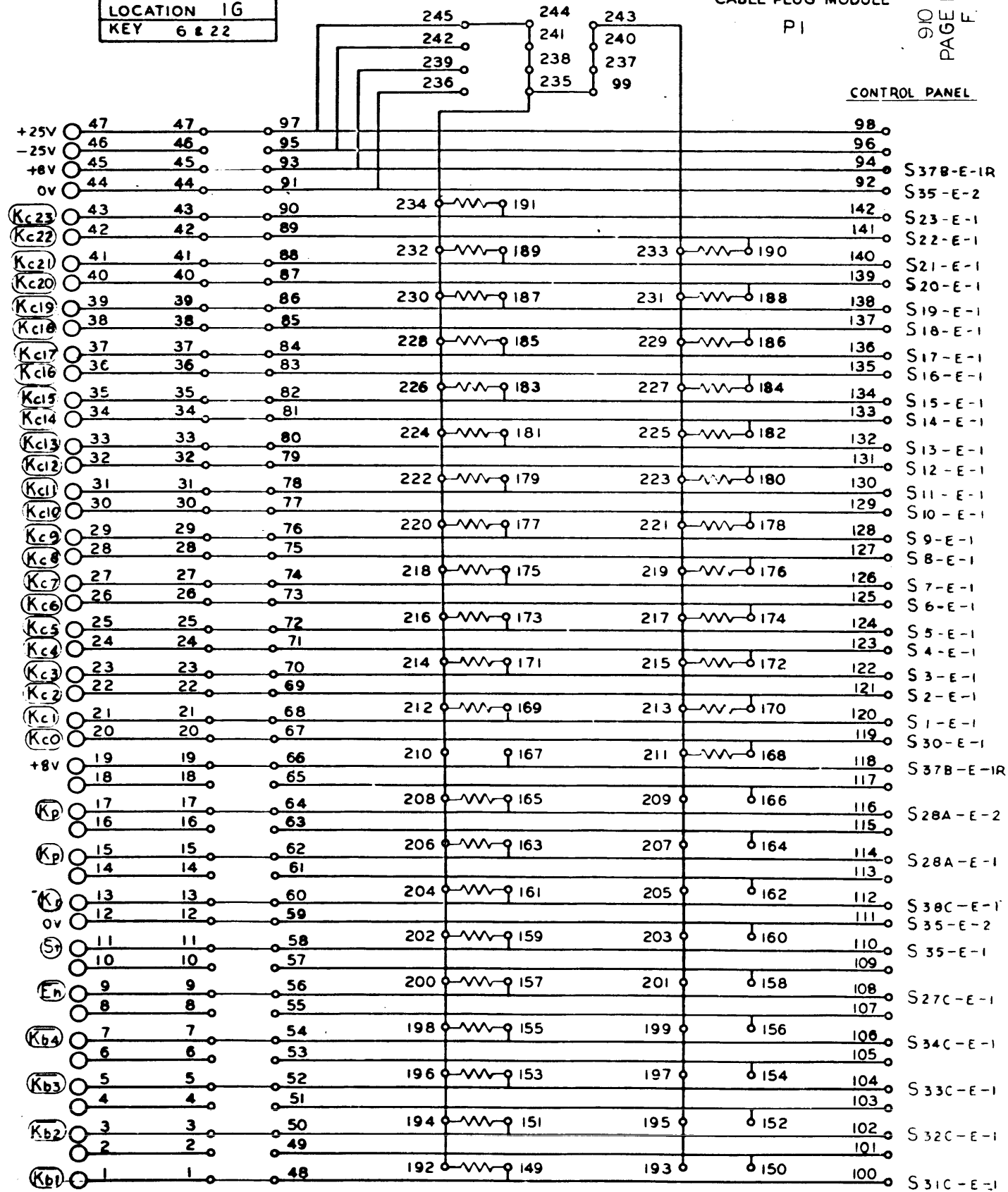
| REVISIONS | | | |
|-----------|---------------|-----|----------|
| REV | DESCRIPTION | CHK | APPROVED |
| D | SEE REV. E.O. | | |
| F | SEE REV. E.O. | | |

LOCATION 1G
KEY 6 & 22

CABLE PLUG MODULE
PI

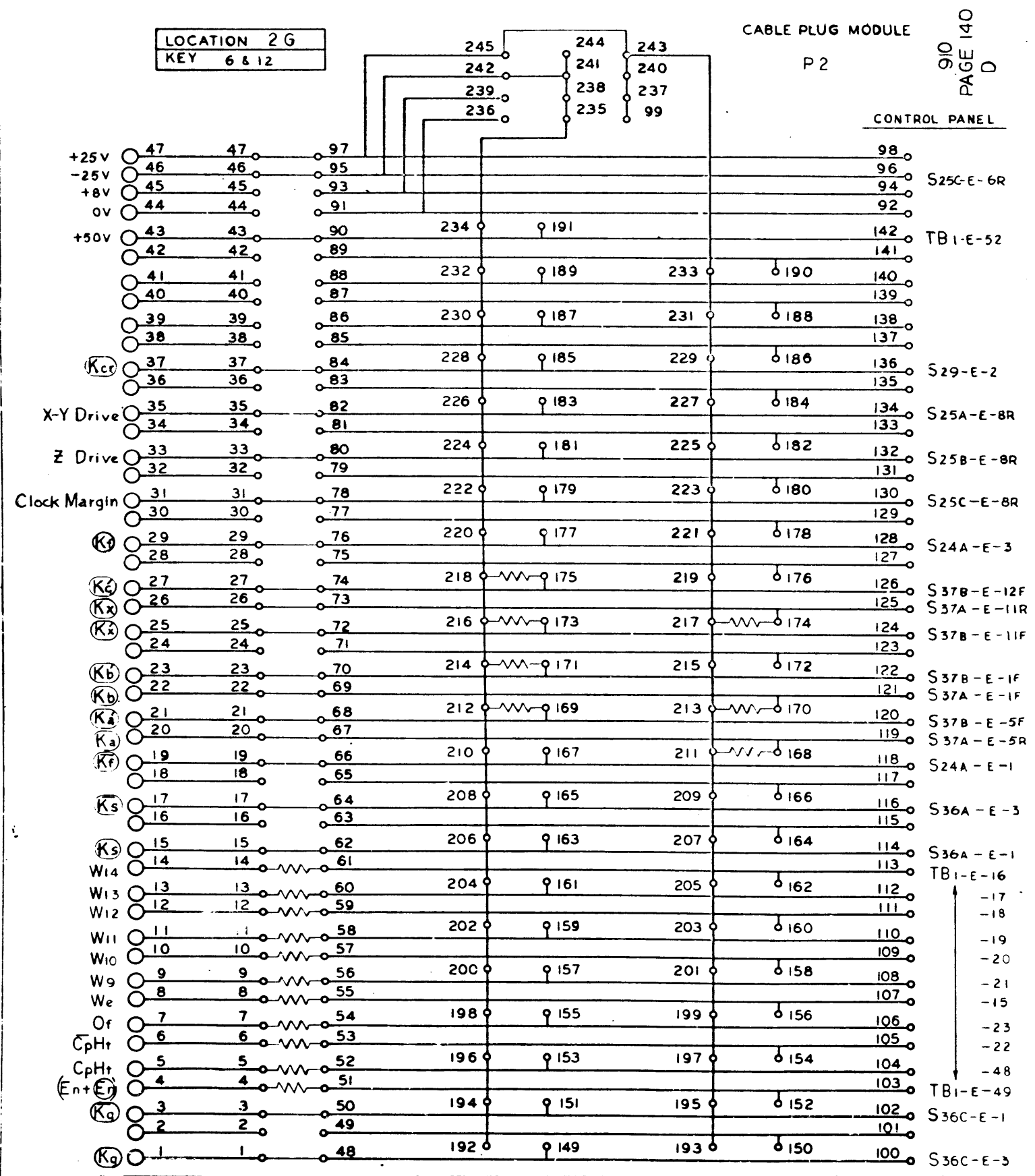
910
PAGE 139

CONTROL PANEL



| NO. REQ. | DRAWING NO. | DESCRIPTION | REFERENCE DESIGNATION | ITEM NO. |
|---|-------------|--|-----------------------|----------|
| MATERIAL LIST | | | | |
| NOTES UNLESS SPECIFIED | | DRAWN | CHECK | APPR. |
| 1 TOLERANCES XX ± 0.00 ANGLULAR XXX ± 0.00 2 1/2" | | | | |
| 2 SHAPE ALL SHARP EDGES 0.005 MINIMUM | | | | |
| 3 MACH SURFACES | | | | |
| 4 ALL DIM. IN INCHES | | | | |
| MODEL NO. 910 | | SDS SCIENTIFIC DATA SYSTEMS 1525 FIFTEENTH STREET SANTA MONICA CALIFORNIA | | |
| NEXT ASSY. | | TITLE DIAGRAM, LOGIC COMPUTER | | |
| | | SCALE | DO NOT SCALE DRAWING | SHEET |
| | | | D 910702 | F |

| REVISIONS | |
|-----------|---------------|
| NO. | DESCRIPTION |
| 1 | SEE REV. E.C. |



| NO. REQ. | DRAWING NO. | DESCRIPTION | REFERENCE DESIGNATION | REV. NO. |
|--|-------------|---|-----------------------|----------|
| MATERIAL LIST | | | | |
| NOTES UNLESS SPECIFIED: 1. DIMENSIONS ARE IN INCHES UNLESS OTHERWISE SPECIFIED. 2. BREAK ALL SHARP EDGES AND APPROX. 3. HATCH SURFACES. 4. ALL DIM. IN DECIMALS. | | | | |
| DRAWN | | | | |
| CHECK | | TITLE DIAGRAM LOGIC COMPUTER | | |
| APPR. | | MODEL NO. 910 SIZE D SHEET NO. 101732 SHEET D | | |
| NEXT ASSY. | | SCALE DO NOT SCALE DRAWING SHEET | | |

101732

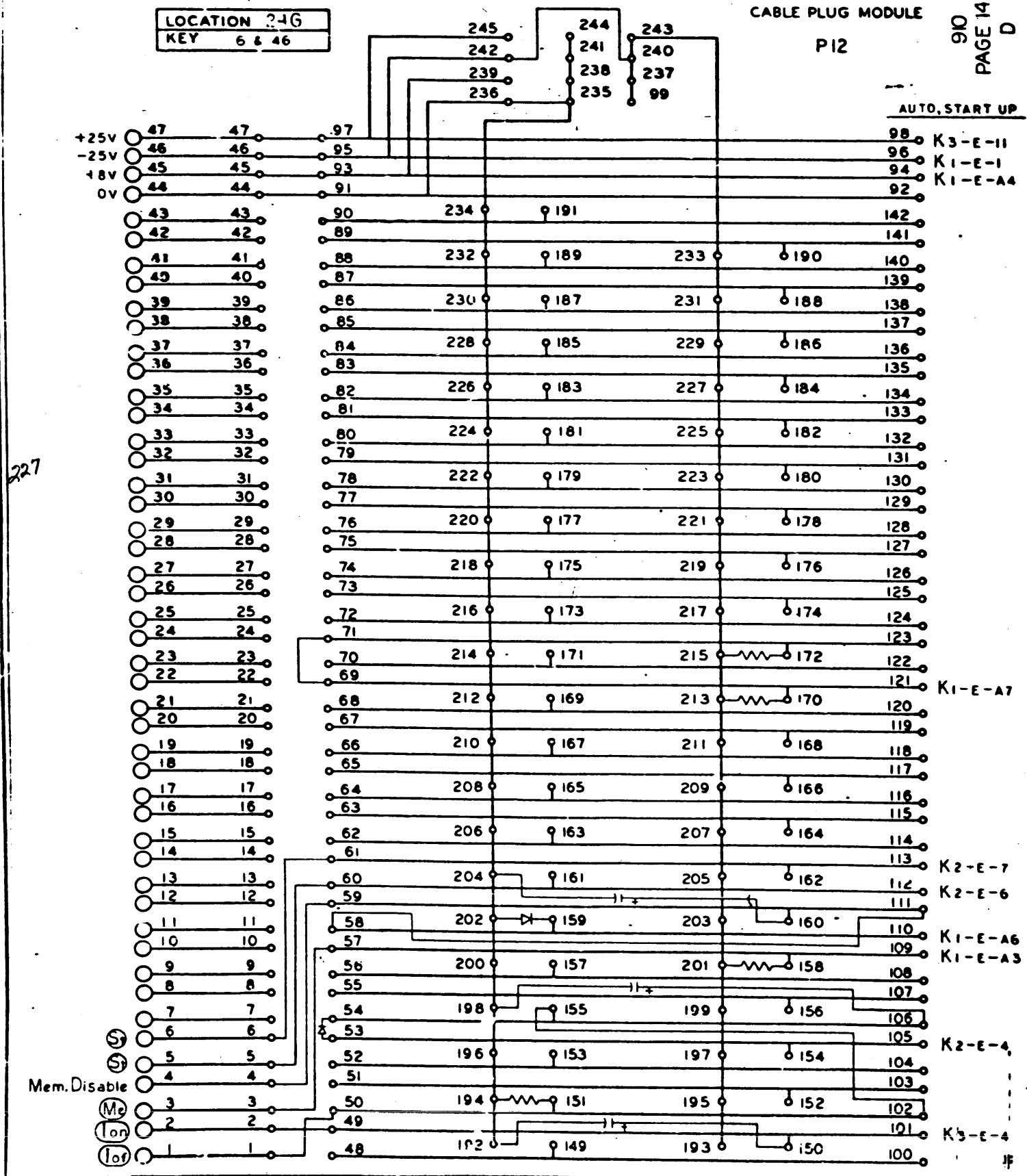
| REVISIONS | | | |
|-----------|---------------|------|----------|
| REV | DESCRIPTION | DATE | APPROVED |
| C | SEE REV. E.C. | | |

LOCATION 24G
KEY 6 & 46

CABLE PLUG MODULE
P12

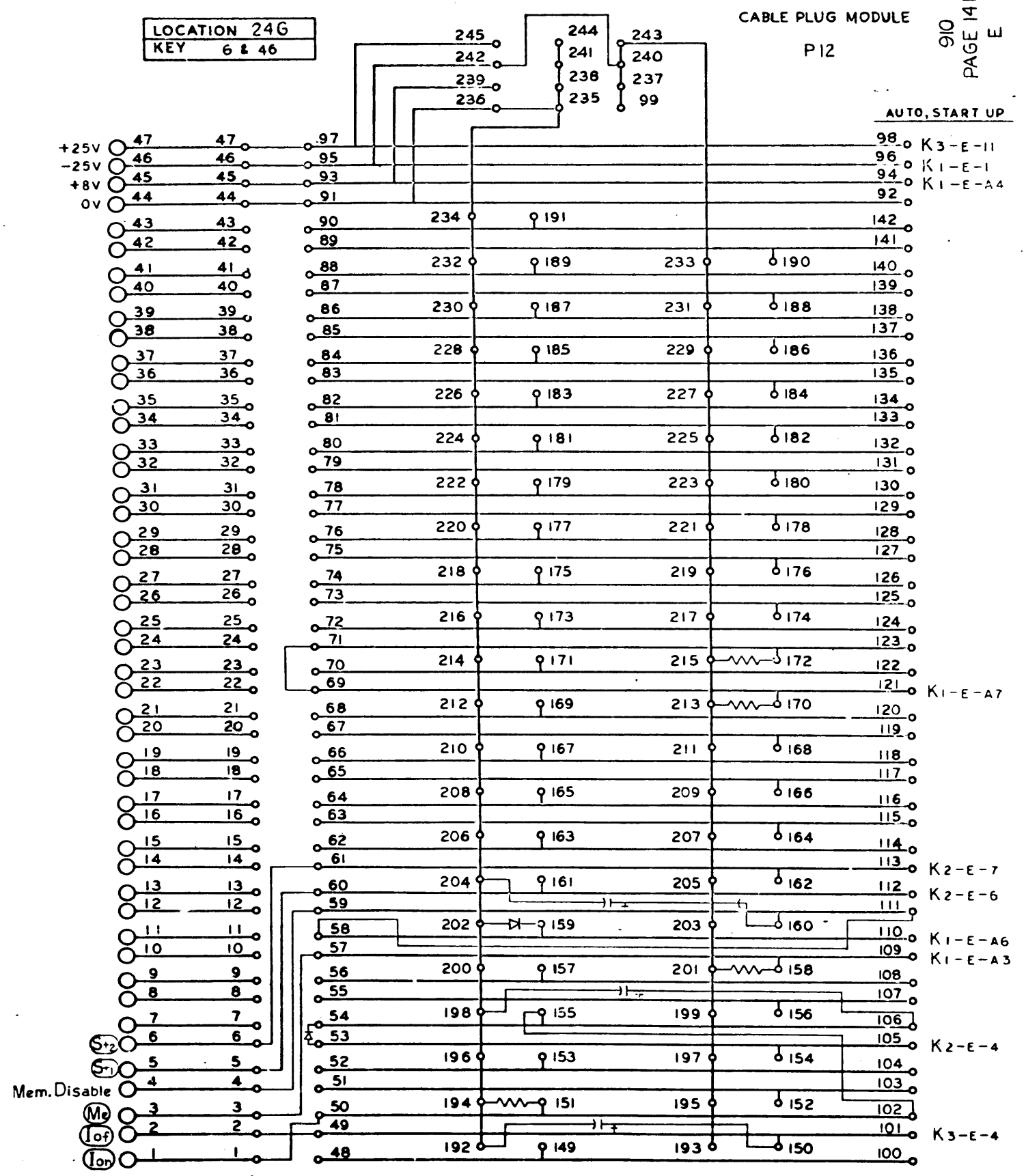
910
PAGE 141
D

AUTO, START UP



| NO | DRAWING NO. | DESCRIPTION | REFERENCE DESIGNATION | DATE |
|---|-------------|---|-----------------------|------|
| NOTES UNLESS SPECIFIED | | | | |
| MATERIAL LIST | | | | |
| <p>1. HOLD POINTS 2. 1.000 3. 2.000</p> <p>4. BREAK ALL SHARP CORNERS 5. DIM. SURFACES</p> <p>6. ALL DIM. TO DIMS</p> | | | | |
| <p>MODEL NO 910</p> | | <p>SDS SCIENTIFIC DATA SYSTEMS 1000 ANTWERP DRIVE, SANTA MONICA, CALIFORNIA</p> <p>TITLE DIAGRAM LOG C COMPUTER</p> | | |
| <p>HEET NO D</p> | | <p>DATE 101702</p> | | |
| <p>SCALE</p> | | <p>DO NOT SCALE DRAWING</p> | | |

| REVISIONS | | |
|-----------|---------------|------|
| REV. | DESCRIPTION | DATE |
| D | SEE REV. E.C. | |
| E | SEE REV. E.C. | |



| NO. REV. | DRAWING NO. | DESCRIPTION | REFERENCE DESIGNATION |
|--|----------------------|--|-----------------------|
| | | | K3 |
| NOTES UNLESS SPECIFIED | | MATERIAL LIST | |
| 1. TOLERANCES UNLESS SPECIFIED: LINEAR .010" ANGULAR .5° | | SCIENTIFIC DATA SYSTEMS | |
| 2. BREAK ALL SHARP CORNERS AND SPICES | | 1545 FIFTEENTH STREET SANTA MONICA, CALIFORNIA | |
| 3. HATCH SURFACES | | TITLE | |
| 4. ALL DIM. IN INCHES | | DIAGRAM LOGIC COMPUTER | |
| MODEL NO. | 910 | SIZE | DWG NO. |
| NEXT ASSY. | | D | 101702 E |
| SCALE | DO NOT SCALE DRAWING | CHECKED | |

910 1G
920 1G
Control Panel Wired

910 2G
920 2G
Control Panel Wired

229

| Pin | Logic | Conn Circuit | Pin | Logic | Conn Circuit |
|-----|------------------|--------------|-----|-------|--------------|
| 1 | $\overline{Rb1}$ | Pullup | 25 | Kc5 | Pullup |
| 2 | | | 26 | Kc6 | " |
| 3 | $\overline{Rb2}$ | Pullup | 27 | Kc7 | " |
| 4 | | | 28 | Kc8 | " |
| 5 | $\overline{Rb3}$ | Pullup | 29 | Kc9 | " |
| 6 | | | 30 | Kc10 | " |
| 7 | $\overline{Rb4}$ | Pullup | 31 | Kc11 | " |
| 8 | | | 32 | Kc12 | " |
| 9 | \overline{En} | | 33 | Kc13 | " |
| 10 | | | 34 | Kc14 | " |
| 11 | St | Pullup | 35 | Kc15 | " |
| 12 | | | 36 | Kc16 | " |
| 13 | Kr | Pullup | 37 | Kc17 | " |
| 14 | | | 38 | Kc18 | " |
| 15 | Kp | Pullup | 39 | Kc19 | " |
| 16 | \overline{Kp} | | 40 | Kc20 | " |
| 17 | | Pullup | 41 | Kc21 | " |
| 18 | | | 42 | Kc22 | " |
| 19 | | | 43 | Kc23 | Pullup |
| 20 | Kc0 | Pullup | 44 | + 0v | |
| 21 | Kc1 | " | 45 | + 8v | |
| 22 | Kc2 | " | 46 | -25v | |
| 23 | Kc3 | " | 47 | +25v | |
| 24 | Kc4 | " | | | |

| Pin | Logic | Conn Circuit | Pin | Logic | Conn Circuit |
|-----|-------------------------|--------------|-----|---------------------|--------------|
| 1 | Kg | Pulldown | 25 | Kx' | Pulldown |
| 2 | | | 26 | Kx | Pullup |
| 3 | \overline{Kg} | Pulldown | 27 | Kc' | Pulldown |
| 4 | (En + \overline{En}) | 100K | 28 | | |
| 5 | Cp Ht | " | 29 | Kf | Pulldown |
| 6 | \overline{Cp} Ht | " | 30 | | |
| 7 | Of | " | 31 | Clock Margin | (Short) |
| 8 | We | " | 32 | | " |
| 9 | (W9) | " | 33 | Voltage Reg. Margin | " |
| 10 | (W10) | " | 34 | | " |
| 11 | (W11) | " | 35 | Current Reg. Margin | " |
| 12 | (W12) | " | 36 | | |
| 13 | (W13) | " | 37 | Kcr | Pulldown |
| 14 | (W14) | 100K | 38 | | |
| 15 | Ks | Pulldown | 39 | | (Short) |
| 16 | | | 40 | | |
| 17 | \overline{Ks} | Pulldown | 41 | | (Short) |
| 18 | | | 42 | | |
| 19 | \overline{Kf} | Pulldown | 43 | + 50 v | Short |
| 20 | Ka | Pullup | 44 | + 0 v | (Short) |
| 21 | | Ka' | 45 | + 8 v | " |
| 22 | Kb | Pullup | 46 | - 25 v | " |
| 23 | | Kb' | 47 | + 25 v | (Short) |
| 24 | | | | | |

910
920
Control Panel

3G
3G
Wired

| Pin | Logic | Conn Circuit | Pin | Logic | Conn Circuit |
|-----|-------------|--------------|-----|-------|--------------|
| 1 | (P1) | 100K | 25 | (C5) | 100K |
| 2 | (P2) | " | 26 | (C6) | " |
| 3 | (P3) | " | 27 | (C7) | " |
| 4 | (P4) | " | 28 | (C8) | " |
| 5 | (P5) | " | 29 | (C9) | " |
| 6 | (P6) | " | 30 | (C10) | " |
| 7 | (P7) | " | 31 | (C11) | " |
| 8 | (P8) | " | 32 | (C12) | " |
| 9 | (P9) | " | 33 | (C13) | " |
| 10 | (P10) | " | 34 | (C14) | " |
| 11 | (P11) | " | 35 | (C15) | " |
| 12 | (P12) | " | 36 | (C16) | " |
| 13 | (P13) | " | 37 | (C17) | " |
| 14 | (P14) | 100K | 38 | (C18) | " |
| 15 | Filament #1 | Short | 39 | (C19) | " |
| 16 | Filament #2 | Short | 40 | (C20) | " |
| 17 | Filament #1 | " | 41 | (C21) | " |
| 18 | Filament #2 | " | 42 | (C22) | " |
| 19 | + 0 v | Short | 43 | (C23) | 100K |
| 20 | (C0) | 100K | 44 | + 0 v | (short) |
| 21 | (C1) | " | 45 | + 8 v | |
| 22 | (C2) | " | 46 | -25 v | (short) |
| 23 | (C3) | " | 47 | +25 v | |
| 24 | (C4) | 100K | | | |

Key = 6-10

910
920
Parallel output

4G
4G

| Pin | Logic | Conn Circuit | Pin | Logic | Conn Circuit |
|-----|------------------|--------------|-----|-------|--------------|
| 1 | Pot 1 | (Bead) | 25 | (C5) | (Bead) |
| 2 | Pot 2 | " | 26 | (C6) | " |
| 3 | Ioc | " | 27 | (C7) | " |
| 4 | Buc | " | 28 | (C8) | " |
| 5 | Sys | (Bead) | 29 | (C9) | " |
| 6 | Eom | | 30 | (C10) | " |
| 7 | Q1 | | 31 | (C11) | " |
| 8 | Q2 | | 32 | (C12) | " |
| 9 | | | 33 | (C13) | " |
| 10 | | | 34 | (C14) | " |
| 11 | | | 35 | (C15) | " |
| 12 | | | 36 | (C16) | " |
| 13 | | | 37 | (C17) | " |
| 14 | \overline{Sio} | (Bead) | 38 | (C18) | " |
| 15 | \overline{Ssc} | " | 39 | (C19) | " |
| 16 | \overline{Rf} | " | 40 | (C20) | " |
| 17 | \overline{St} | " | 41 | (C21) | " |
| 18 | $\overline{CT7}$ | (Bead) | 42 | (C22) | " |
| 19 | | (Bead) | 43 | (C23) | (Bead) |
| 20 | (C0) | " | 44 | + 0 v | (Short) |
| 21 | (C1) | " | 45 | + 8 v | |
| 22 | (C2) | " | 46 | -25 v | |
| 23 | (C3) | " | 47 | +25 v | (Short) |
| 24 | (C4) | (Bead) | | | |

910 PAGE 143 E

Key = 6-20

910

5G

Parallel Output

920

5G

910

6G

920

6G

Interlace

Wired

| Pin | Logic | Conn Circuit | Pin | Logic | Conn Circuit |
|-----|------------------|--------------|-----|-------|--------------|
| 1 | Pot 1 | (Bead) | 25 | (C5) | (Bead) |
| 2 | Pot 2 | " | 26 | (C6) | " |
| 3 | Ioc | " | 27 | (C7) | " |
| 4 | Buc | " | 28 | (C8) | " |
| 5 | Sys | (Bead) | 29 | (C9) | " |
| 6 | Eom | | 30 | (C10) | " |
| 7 | Q1 | | 31 | (C11) | " |
| 8 | Q2 | | 32 | (C12) | " |
| 9 | | | 33 | (C13) | " |
| 10 | | | 34 | (C14) | " |
| 11 | | | 35 | (C15) | " |
| 12 | | | 36 | (C16) | " |
| 13 | | | 37 | (C17) | " |
| 14 | \overline{Sio} | (Short) | 38 | (C18) | " |
| 15 | \overline{Ssc} | " | 39 | (C19) | " |
| 16 | \overline{Rt} | " | 40 | (C20) | " |
| 17 | St | (Short) | 41 | (C21) | " |
| 18 | $\overline{C17}$ | | 42 | (C22) | " |
| 19 | | (Bead) | 43 | (C23) | (Bead) |
| 20 | (C0) | " | 44 | + 0 v | (Short) |
| 21 | (C1) | " | 45 | + 8 v | " |
| 22 | (C2) | " | 46 | -25 v | " |
| 23 | (C3) | " | 47 | +25 v | (Short) |
| 24 | (C4) | (Bead) | | | |

| Pin | Logic | Conn Circuit | Pin | Logic | Conn Circuit |
|-----|------------------|--------------|-----|-------|--------------|
| 1 | Pot 1 | (Bead) | 25 | (C5) | (Bead) |
| 2 | Pot 2 | " | 26 | (C6) | " |
| 3 | Ioc | " | 27 | (C7) | " |
| 4 | Buc | " | 28 | (C8) | " |
| 5 | Sys | (Bead) | 29 | (C9) | " |
| 6 | Eom | (Short) | 30 | (C10) | " |
| 7 | Q1 | " | 31 | (C11) | " |
| 8 | Q2 | " | 32 | (C12) | " |
| 9 | W9 | " | 33 | (C13) | " |
| 10 | Y9 | (Short) | 34 | (C14) | " |
| 11 | | | 35 | (C15) | " |
| 12 | | | 36 | (C16) | " |
| 13 | | | 37 | (C17) | " |
| 14 | \overline{Sio} | (Short) | 38 | (C18) | " |
| 15 | \overline{Ssc} | " | 39 | (C19) | " |
| 16 | \overline{Rt} | 8.2k Pull up | 40 | (C20) | " |
| 17 | St | (Short) | 41 | (C21) | " |
| 18 | $\overline{C17}$ | (Short) | 42 | (C22) | " |
| 19 | | (Bead) | 43 | (C23) | (Bead) |
| 20 | (C0) | " | 44 | + 0 v | (Short) |
| 21 | (C1) | " | 45 | + 8 v | " |
| 22 | (C2) | " | 46 | -25 v | " |
| 23 | (C3) | " | 47 | +25 v | (Short) |
| 24 | (C4) | (Bead) | | | |

231

Key = 6-20

910 PAGE 144 E

Key = 6-20

910 7G 8G 9G 10G
920 7G 8G 9G 10G

910 11G
920 13G
15 Kc Tape Control 1Z

| Pin | Logic | Conn Circuit | Pin | Logic | Conn Circuit |
|-----|------------------|--------------|-----|--------------------|--------------|
| 1 | $\overline{Zw1}$ | Pull-up | 25 | (R1) | (Bead) |
| 2 | $\overline{Zw2}$ | " | 26 | (R2) | " |
| 3 | $\overline{Zw3}$ | " | 27 | (R3) | " |
| 4 | $\overline{Zw4}$ | " | 28 | (R4) | " |
| 5 | $\overline{Zw5}$ | " | 29 | (R5) | " |
| 6 | $\overline{Zw6}$ | " | 30 | (R6) | " |
| 7 | \overline{Zwp} | " | 31 | (Rp) | " |
| 8 | \overline{Ecw} | " | 32 | (C12) | " |
| 9 | \overline{Whs} | " | 33 | (C13) | " |
| 10 | \overline{Sio} | " | 34 | (C14) | " |
| 11 | Buc | Short | 35 | (C15) | " |
| 12 | \overline{Np} | Pull-up | 36 | (C16) | " |
| 13 | \overline{Wes} | Pull-up | 37 | $\overline{(C17)}$ | " |
| 14 | (W0) | (Bead) | 38 | (C18) | " |
| 15 | (W5) | " | 39 | (C19) | " |
| 16 | (W6) | " | 40 | (C20) | " |
| 17 | Q2 | " | 41 | (C21) | " |
| 18 | Ioc | " | 42 | (C22) | " |
| 19 | (W9) | " | 43 | (C23) | (Bead) |
| 20 | (W10) | " | 44 | + 0 v | (Short) |
| 21 | (W11) | " | 45 | + 8 v | " |
| 22 | (W12) | " | 46 | -25 v | " |
| 23 | (W13) | " | 47 | +25 v | (Short) |
| 24 | (W14) | (Bead) | | | |

| Pin | Logic | Conn Circuit | Pin | Logic | Conn Circuit |
|-----|------------------|--------------|-----|--------------------|--------------|
| 1 | $\overline{Zw1}$ | | 25 | (R1) | |
| 2 | $\overline{Zw2}$ | | 26 | (R2) | |
| 3 | $\overline{Zw3}$ | | 27 | (R3) | |
| 4 | $\overline{Zw4}$ | | 28 | (R4) | |
| 5 | $\overline{Zw5}$ | | 29 | (R5) | |
| 6 | $\overline{Zw6}$ | | 30 | (R6) | |
| 7 | \overline{Zwp} | | 31 | (Rp) | |
| 8 | \overline{Ecw} | | 32 | (C12) | |
| 9 | \overline{Whs} | | 33 | (C13) | |
| 10 | \overline{Sio} | | 34 | (C14) | |
| 11 | Buc | | 35 | (C15) | |
| 12 | \overline{Mtg} | | 36 | (C16) | |
| 13 | \overline{Wes} | | 37 | $\overline{(C17)}$ | |
| 14 | (W0) | | 38 | (C18) | |
| 15 | (W5) | | 39 | (C19) | |
| 16 | (W6) | | 40 | (C20) | |
| 17 | Q2 | | 41 | (C21) | |
| 18 | Ioc | | 42 | (C22) | |
| 19 | (W9) | | 43 | (C23) | |
| 20 | (W10) | | 44 | + 0 v | |
| 21 | (W11) | | 45 | + 8 v | |
| 22 | (W12) | | 46 | -25 v | |
| 23 | (W13) | | 47 | +25 v | |
| 24 | (W14) | | | | |

Key 6-26
On all 4 Connectors

910
Parallel Input
920

12G
12G

| Pin | Logic | Conn Circuit | Pin | Logic | Conn Circuit |
|-----|------------------|----------------|-----|-------------------|----------------|
| 1 | Pin | (Bead) | 25 | $\overline{Cd5}$ | (3.9K pull up) |
| 2 | \overline{Sio} | | 26 | $\overline{Cd6}$ | " |
| 3 | | (Bead) | 27 | $\overline{Cd7}$ | " |
| 4 | | | 28 | $\overline{Cd8}$ | " |
| 5 | | | 29 | $\overline{Cd9}$ | " |
| 6 | | | 30 | $\overline{Cd10}$ | " |
| 7 | | | 31 | $\overline{Cd11}$ | " |
| 8 | \overline{Rfi} | (Bead) | 32 | $\overline{Cd12}$ | " |
| 9 | | | 33 | $\overline{Cd13}$ | " |
| 10 | | | 34 | $\overline{Cd14}$ | " |
| 11 | | | 35 | $\overline{Cd15}$ | " |
| 12 | | | 36 | $\overline{Cd16}$ | " |
| 13 | | | 37 | $\overline{Cd17}$ | " |
| 14 | | | 38 | $\overline{Cd18}$ | " |
| 15 | | | 39 | $\overline{Cd19}$ | " |
| 16 | \overline{Rf} | 3.9K pull up | 40 | $\overline{Cd20}$ | " |
| 17 | | " | 41 | $\overline{Cd21}$ | " |
| 18 | | " | 42 | $\overline{Cd22}$ | " |
| 19 | | " | 43 | $\overline{Cd23}$ | (3.9K pull up) |
| 20 | $\overline{Cd0}$ | (3.9K pull up) | 44 | + 0 | (Short) |
| 21 | $\overline{Cd1}$ | | 45 | + 8 | " |
| 22 | $\overline{Cd2}$ | | 46 | -25 | " |
| 23 | $\overline{Cd3}$ | | 47 | +25 | (Short) |
| 24 | $\overline{Cd4}$ | (3.9K pull up) | | | |

910
Priority Interrupt
920

13G
13G

| Pin | Logic | Conn Circuit | Pin | Logic | Conn Circuit |
|-----|-----------------|--------------|-----|---|--------------|
| 1 | 11 | Short | 25 | H | Short |
| 2 | 12 | " | 26 | \overline{Ir} | Diode |
| 3 | 13 | " | 27 | \overline{Sio} | Short |
| 4 | 14 | " | 28 | \overline{Ssc} | |
| 5 | | " | 29 | $\overline{N9}$ | Short |
| 6 | | " | 30 | $\overline{NT0}$ | " |
| 7 | | " | 31 | $\overline{NT1}$ | " |
| 8 | | " | 32 | $\overline{NT2}$ | " |
| 9 | | " | 33 | $\overline{NT3}$ | " |
| 10 | | " | 34 | $\overline{NT4}$ | Short |
| 11 | | " | 35 | ($\overline{Ip1}$ $\overline{Ip2}$ $\overline{Ip3}$ $\overline{Ip4}$) | Bead |
| 12 | | " | 36 | ($\overline{Is1}$ $\overline{Is2}$ $\overline{Is3}$ $\overline{Is4}$) | " |
| 13 | | " | 37 | (T22-T17) | " |
| 14 | | " | 38 | Ib | " |
| 15 | $\overline{N5}$ | " | 39 | (\overline{Ins} \overline{FT} (T22-T17)) | Bead |
| 16 | $\overline{N6}$ | " | 40 | I1w | Short |
| 17 | $\overline{N7}$ | " | 41 | I2w | " |
| 18 | $\overline{N8}$ | " | 42 | I1y | " |
| 19 | | " | 43 | I2y | " |
| 20 | | " | 44 | + 0 | Short |
| 21 | | " | 45 | + 8 | |
| 22 | | " | 46 | -25 | |
| 23 | \overline{Sf} | " | 47 | +25 | |
| 24 | \overline{Ij} | Short | | | |

233

910
920
Photo Reader

16G
16G
Wired

| Pin | Logic | Conn Circuit | Pin | Logic | Conn Circuit |
|-----|-------|--------------|-----|-----------------------|--------------|
| 1 | Pa1 | 180Ω | 25 | | |
| 2 | Pa2 | " | 26 | | |
| 3 | Pa3 | " | 27 | | |
| 4 | Pa4 | " | 28 | | |
| 5 | Pa5 | " | 29 | | |
| 6 | Pa6 | " | 30 | | |
| 7 | Pa7 | " | 31 | | |
| 8 | Pa8 | " | 32 | | |
| 9 | Psp | 180Ω | 33 | | |
| 10 | Par | Short | 34 | | |
| 11 | | | 35 | | |
| 12 | | | 36 | Reader relay common | Short |
| 13 | | | 37 | Rd drive | " |
| 14 | | | 38 | Rb1 Brake | " |
| 15 | | | 39 | Rb2 Brake | " |
| 16 | | | 40 | \overline{Kff} feed | " |
| 17 | | | 41 | Lamp | " |
| 18 | | | 42 | +18 v | " |
| 19 | | | 43 | +50 v | " |
| 20 | | | 44 | + 0 v | " |
| 21 | | | 45 | + 8 v | " |
| 22 | | | 46 | -25 v | 22K |
| 23 | | | 47 | +25 v | Short |
| 24 | | | | | |

910
920
Auto, Start, Stop

24G
24G
Wired

| Pin | Logic | Conn Circuit | Pin | Logic | Conn Circuit |
|-----|----------------|--------------|-----|-------|--------------|
| 1 | Iof | Short | 25 | | |
| 2 | Ion | " | 26 | | |
| 3 | Me | Pull down | 27 | | |
| 4 | Memory disable | Short | 28 | | |
| 5 | St Jumper | " | 29 | | |
| 6 | St | " | 30 | | |
| 7 | | | 31 | | |
| 8 | | | 32 | | |
| 9 | | | 33 | | |
| 10 | | | 34 | | |
| 11 | | | 35 | | |
| 12 | | | 36 | | |
| 13 | | | 37 | | |
| 14 | | | 38 | | |
| 15 | | | 39 | | |
| 16 | | | 40 | | |
| 17 | | | 41 | | |
| 18 | | | 42 | | |
| 19 | | | 43 | | |
| 20 | | | 44 | Gnd | Short |
| 21 | | | 45 | + 8 v | " |
| 22 | | | 46 | -25 v | " |
| 23 | | | 47 | +25 v | " |
| 24 | | | | | |

910
920
Interlace

25G
25G
Wired

CONNECTOR 28N
PRIORITY INTERRUPT

| Pin | Logic | Conn Circuit | Pin | Logic | Conn Circuit |
|-----|---------------------------------|--------------|-----|-------|--------------|
| 1 | \overline{Tsm} | (Bead) | 25 | | |
| 2 | Wp | " | 26 | | |
| 3 | \overline{Wp} | " | 27 | | |
| 4 | Wh | " | 28 | | |
| 5 | Yh | (Bead) | 29 | Iwf | (Short) |
| 6 | Iw | (Short) | 30 | Iw10 | " |
| 7 | \overline{Iw} \overline{Ew} | " | 31 | Iw11 | " |
| 8 | Iy | " | 32 | Iw12 | " |
| 9 | \overline{Iy} \overline{Ey} | " | 33 | Iw13 | " |
| 10 | Iy10 | (Short) | 34 | Iw14 | " |
| 11 | Iy11 | " | 35 | Iw15 | " |
| 12 | Iy12 | " | 36 | Iw16 | " |
| 13 | Iy13 | " | 37 | Iw17 | " |
| 14 | Iy14 | " | 38 | Iw18 | " |
| 15 | Iy15 | " | 39 | Iw19 | " |
| 16 | Iy16 | " | 40 | Iw20 | " |
| 17 | Iy17 | " | 41 | Iw21 | " |
| 18 | Iy18 | " | 42 | Iw22 | " |
| 19 | Iy19 | " | 43 | Iw23 | " |
| 20 | Iy20 | " | 44 | + 0 v | " |
| 21 | Iy21 | " | 45 | + 8 v | " |
| 22 | Iy22 | " | 46 | -25 v | " |
| 23 | Iy23 | " | 47 | +25 v | (Short) |
| 24 | Iyf | (Short) | | | |

| Pin | Logic | Conn Circuit | Pin | Logic | Conn Circuit |
|-----|-----------------|--------------|-----|-----------------------|--------------|
| 1 | | | 25 | | |
| 2 | | | 26 | \overline{Ir} | Short |
| 3 | | | 27 | | |
| 4 | | | 28 | | |
| 5 | | | 29 | $\overline{N9}$ | Short |
| 6 | | | 30 | $\overline{NT0}$ | " |
| 7 | | | 31 | $\overline{NT1}$ | " |
| 8 | | | 32 | $\overline{NT2}$ | " |
| 9 | | | 33 | $\overline{NT3}$ | " |
| 10 | | | 34 | $\overline{NT4}$ | " |
| 11 | | | 35 | $\pi \overline{Ip36}$ | " |
| 12 | | | 36 | $\pi \overline{Is36}$ | " |
| 13 | | | 37 | (T22-T17)* | " |
| 14 | | | 38 | Ib* | " |
| 15 | $\overline{N5}$ | Short | 39 | (Int F1 T22-T17)* | Short |
| 16 | $\overline{N6}$ | " | 40 | | |
| 17 | $\overline{N7}$ | " | 41 | | |
| 18 | $\overline{N8}$ | " | 42 | | |
| 19 | | " | 43 | | |
| 20 | | " | 44 | + 0 | Short |
| 21 | | " | 45 | + 8 | " |
| 22 | | " | 46 | -25 | " |
| 23 | \overline{Sf} | Short | 47 | +25 | " |
| 24 | \overline{Ix} | " | | | |

235

910
920
Interlace

25G
25G
Wired

| Pin | Logic | Conn Circuit | Pin | Logic | Conn Circuit |
|-----|--------------------|--------------|-----|-------|--------------|
| 1 | \overline{Tsm} | (bead) | 25 | | |
| 2 | Wp | " | 26 | | |
| 3 | \overline{Wp} | " | 27 | | |
| 4 | Wh | " | 28 | | |
| 5 | Yh | (bead) | 29 | Iwf | (short) |
| 6 | Iw | (short) | 30 | Iw10 | " |
| 7 | $\overline{Iw Ey}$ | " | 31 | Iw11 | " |
| 8 | Iy | " | 32 | Iw12 | " |
| 9 | Iy Ey | " | 33 | Iw13 | " |
| 10 | Iy10 | (short) | 34 | Iw14 | " |
| 11 | Iy11 | " | 35 | Iw15 | " |
| 12 | Iy12 | " | 36 | Iw16 | " |
| 13 | Iy13 | " | 37 | Iw17 | " |
| 14 | Iy14 | " | 38 | Iw18 | " |
| 15 | Iy15 | " | 39 | Iw19 | " |
| 16 | Iy16 | " | 40 | Iw20 | " |
| 17 | Iy17 | " | 41 | Iw21 | " |
| 18 | Iy18 | " | 42 | Iw22 | " |
| 19 | Iy19 | " | 43 | Iw23 | " |
| 20 | Iy20 | " | 44 | + 0V | " |
| 21 | Iy21 | " | 45 | + 8V | " |
| 22 | Iy22 | " | 46 | - 25V | " |
| 23 | Iy23 | " | 47 | + 25V | (short) |
| 24 | Iyf | (short) | | | |

| Pin | Logic | Conn Circuit | Pin | Logic | Conn Circuit |
|-----|-------|--------------|-----|-------|--------------|
| 1 | | | 25 | | |
| 2 | | | 26 | | |
| 3 | | | 27 | | |
| 4 | | | 28 | | |
| 5 | | | 29 | | |
| 6 | | | 30 | | |
| 7 | | | 31 | | |
| 8 | | | 32 | | |
| 9 | | | 33 | | |
| 10 | | | 34 | | |
| 11 | | | 35 | | |
| 12 | | | 36 | | |
| 13 | | | 37 | | |
| 14 | | | 38 | | |
| 15 | | | 39 | | |
| 16 | | | 40 | | |
| 17 | | | 41 | | |
| 18 | | | 42 | | |
| 19 | | | 43 | | |
| 20 | | | 44 | | |
| 21 | | | 45 | | |
| 22 | | | 46 | | |
| 23 | | | 47 | | |
| 24 | | | | | |

| OA or OOA | LOGIC | OA or OOA | LOGIC |
|-----------|-------|-----------|---|
| 1 | M1 | 26 | Memory Disable |
| 2 | M2 | 27 | Me |
| 3 | M3 | 28 | $\overline{W9}$ |
| 4 | M4 | 29 | $\overline{Y9}$ |
| 5 | M5 | 30 | ($\overline{O2}$ $\overline{O3}$ \emptyset \overline{Ia}) |
| 6 | M6 | 31 | S1 |
| 7 | M7 | 32 | S2 |
| 8 | M8 | 33 | S3 |
| 9 | M9 | 34 | S4 |
| 10 | M10 | 35 | S5 |
| 11 | M11 | 36 | S6 |
| 12 | M12 | 37 | S7 |
| 13 | M13 | 38 | S8 |
| 14 | M14 | 39 | S9 |
| 15 | M15 | 40 | S10 |
| 16 | M16 | 41 | S11 |
| 17 | M17 | 42 | S12 |
| 18 | M18 | 43 | S13 |
| 19 | M19 | 44 | S14 |
| 20 | M20 | 45 | Ts |
| 21 | M21 | 46 | $\overline{T_s}$ |
| 22 | M22 | 47 | Wp |
| 23 | M23 | 48 | \overline{Wp} |
| 24 | M24 | 49 | $\overline{T_{sm}}$ |
| 25 | MO | 50 | Tsm |
| | | 51 | T24 |

| OB or OOB | LOGIC | OB or OOB | LOGIC |
|-----------|-------|-----------|-----------------------------|
| 1 | C1 | 26 | Mc |
| 2 | C2 | 27 | Tsm \overline{Wp} |
| 3 | C3 | 28 | Tsm Wp |
| 4 | C4 | 29 | Q1 |
| 5 | C5 | 30 | \overline{St} |
| 6 | C6 | 31 | Q2 |
| 7 | C7 | 32 | Mg |
| 8 | C8 | 33 | $\overline{Q3}$ |
| 9 | C9 | 34 | Q4 |
| 10 | C10 | 35 | $\overline{Q5}$ |
| 11 | C11 | 36 | Q5 |
| 12 | C12 | 37 | Tp |
| 13 | C13 | 38 | O5 |
| 14 | C14 | 39 | Po |
| 15 | C15 | 40 | $\emptyset4$ |
| 16 | C16 | 41 | (F1 + $\overline{F3}$ + Ts) |
| 17 | C17 | 42 | (T5 - T0) |
| 18 | C18 | 43 | F3 ^o |
| 19 | C19 | 44 | $\overline{O6}^o$ |
| 20 | C20 | 45 | $\overline{Q4}^o$ |
| 21 | C21 | 46 | Margin Cur. Reg. |
| 22 | C22 | 47 | Margin Voltage Reg. |
| 23 | C23 | 48 | |
| 24 | C24 | 49 | |
| 25 | CO | 50 | Clock |
| | | 51 | Clock |

237

| QC or OOC | LOGIC | QC or OOC | LOGIC |
|-----------|-------|-----------|---------|
| 1 | | 26 | |
| 2 | | 27 | |
| 3 | | 28 | |
| 4 | | 29 | |
| 5 | | 30 | Iw10 |
| 6 | | 31 | Iw11 |
| 7 | | 32 | Iw12 |
| 8 | | 33 | Iw13 |
| 9 | | 34 | Iw14 |
| 10 | Iy10 | 35 | Iw15 |
| 11 | Iy11 | 36 | Iw16 |
| 12 | Iy12 | 37 | Iw17 |
| 13 | Iy13 | 38 | Iw18 |
| 14 | Iy14 | 39 | Iw19 |
| 15 | Iy15 | 40 | Iw20 |
| 16 | Iy16 | 41 | Iw21 |
| 17 | Iy17 | 42 | Iw22 |
| 18 | Iy18 | 43 | Iw23 |
| 19 | Iy19 | 44 | B Clock |
| 20 | Iy20 | 45 | R Clock |
| 21 | Iy21 | 46 | + 18 |
| 22 | Iy22 | 47 | + 18 |
| 23 | Iy23 | 48 | + 18 |
| 24 | | 49 | + 15 |
| 25 | | 50 | - 15 |
| | | 51 | + 50 |

910
920
Y Buffer

25C
1C
Wired

| Pin | Logic | Conn Circuit | Pin | Logic | Conn Circuit |
|-----|--------------------------------------|--------------|-----|--|--------------|
| 1 | Buc | Short | 25 | $\overline{Y9} \overline{Y10} \overline{Y11} \overline{Y12} \overline{Y13} \overline{Y14}$ | Short |
| 2 | Ioc | | 26 | $\overline{St0}$ | |
| 3 | Yx | | 27 | St | |
| 4 | \overline{Yx} | | 28 | C12 | |
| 5 | (T22-T17) | | 29 | C13 | |
| 6 | (T5-T0) | | 30 | C14 | |
| 7 | T0 | | 31 | C15 | |
| 8 | Tp | | 32 | C16 | |
| 9 | T24 | | 33 | C17 | |
| 10 | (En + \overline{En}) | | 34 | C18 | |
| 11 | Q2 | | 35 | C19 | |
| 12 | $\overline{(Tp T21)}^*$ | | 36 | C20 | |
| 13 | $\overline{Y9}$ | | 37 | C21 | |
| 14 | C23** | | 38 | C22 | |
| 15 | \overline{Yh} | | 39 | C23 | |
| 16 | \overline{Tsy} | | 40 | $\overline{C20}$ | |
| 17 | $\overline{Yf} (Y0 + \overline{Y9})$ | | 41 | $\overline{C23}$ | |
| 18 | \overline{Ye} | | 42 | Clock, Black | |
| 19 | \overline{Yn} | | 43 | Clock, Red | Short |
| 20 | Ily | | 44 | + 0v | |
| 21 | I2y | | 45 | + 8v | |
| 22 | Iy | | 46 | - 25 | |
| 23 | $\overline{Iy} \overline{Ey}$ | | 47 | + 25v | |
| 24 | Iyf | Short | | | |

238

Key = 6 - 24

239

| OC or OOC | LOGIC | OC or OOC | LOGIC |
|-----------|-------|-----------|---------|
| 1 | | 26 | |
| 2 | | 27 | |
| 3 | | 28 | |
| 4 | | 29 | |
| 5 | | 30 | Iw10 |
| 6 | | 31 | Iw11 |
| 7 | | 32 | Iw12 |
| 8 | | 33 | Iw13 |
| 9 | | 34 | Iw14 |
| 10 | Iy10 | 35 | Iw15 |
| 11 | Iy11 | 36 | Iw16 |
| 12 | Iy12 | 37 | Iw17 |
| 13 | Iy13 | 38 | Iw18 |
| 14 | Iy14 | 39 | Iw19 |
| 15 | Iy15 | 40 | Iw20 |
| 16 | Iy16 | 41 | Iw21 |
| 17 | Iy17 | 42 | Iw22 |
| 18 | Iy18 | 43 | Iw23 |
| 19 | Iy19 | 44 | B Clock |
| 20 | Iy20 | 45 | R Clock |
| 21 | Iy21 | 46 | + 18 |
| 22 | Iy22 | 47 | + 13 |
| 23 | Iy23 | 48 | + 18 |
| 24 | | 49 | + 15 |
| 25 | | 50 | - 15 |

| Pin | Logic | Conn Circuit | Pin | Logic | Conn Circuit |
|-----|--------------|--------------|-----|---------------------------------------|--------------|
| 1 | Buc | Short | 25 | Y9 Y10 Y11 Y12 Y13 Y14 | Short |
| 2 | Ioc | | 26 | Sio | |
| 3 | Yx | | 27 | St | |
| 4 | Yx | | 28 | C12 | |
| 5 | (T22 - T17) | | 29 | C13 | |
| 6 | (T5 - T0) | | 30 | C14 | |
| 7 | T0 | | 31 | C15 | |
| 8 | Tp | | 32 | C16 | |
| 9 | T24 | | 33 | C17 | |
| 10 | (En + En) | | 34 | C18 | |
| 11 | Q2 | | 35 | C19 | |
| 12 | (Tp T21)* | | 36 | C20 | |
| 13 | Y9 | | 37 | C21 | |
| 14 | C23** | | 38 | C22 | |
| 15 | Yh | | 39 | C23 | |
| 16 | Tsy | | 40 | (C12 C19 C20 C21 C22 C23 T0C (T5-T0)) | |
| 17 | Yf (Y0 + Y9) | | 41 | C23 | |
| 18 | Ye | | 42 | Clock, Black | |
| 19 | Yn | | 43 | Clock, Red | Short |
| 20 | I1y | | 44 | + 0 v | |
| 21 | I2y | | 45 | + 8 v | |
| 22 | Iy | | 46 | -25 | |
| 23 | Iy Ey | | 47 | +25 v | |
| 24 | Iyf | Short | | | |

TYPEWRITER B (BCD) Connector 44T

PRIORITY INTERRUPT

26N

| Pin | Logic | Typewriter Conn. Pin | Pin | Logic | Typewriter Plug |
|-----|---------------------|----------------------|-----|-------------|-----------------|
| 1 | Ts1 (2.7k Pulldown) | x | 25 | | |
| 2 | Ts2 (Pulldown) | v | 26 | | |
| 3 | Ts4 (Pulldown) | w | 27 | | |
| 4 | Ts8 (Pulldown) | u | 28 | | |
| 5 | Tsa (Pulldown) | t | 29 | Tlt short | J |
| 6 | Tsb (Pulldown) | r | 30 | | |
| 7 | Tsc (Pulldown) | s | 31 | Td1 short | H |
| 8 | Tc (1.8k Pulldown) | Z | 32 | Td2 short | E |
| 9 | Tc | b | 33 | Td4 short | F |
| 10 | Ec (2.7k Pulldown) | d | 34 | Td10 short | D |
| 11 | | | 35 | Td20 short | C |
| 12 | + 8 short | Y | 36 | Td40 short | A |
| 13 | | | 37 | Tdp short | B |
| 14 | | | 38 | Tdsp short | M |
| 15 | | | 39 | Tdbs short | N |
| 16 | | | 40 | Tdcr short | P |
| 17 | | | 41 | Tduc short | S |
| 18 | | | 42 | Tdtb short | L |
| 19 | | | 43 | | |
| 20 | +50 v short | K | 44 | + 0 v | |
| 21 | +50 short | J | 45 | + 8 v short | X |
| 22 | | | 46 | -25 v short | |
| 23 | | | 47 | +25 v | |
| 24 | | | | | |

| Pin | Logic | Conn Circuit | Pin | Logic | Conn Circuit |
|-----|-------|--------------|-----|-------|--------------|
| 1 | 11 | | 25 | 125 | |
| 2 | 12 | | 26 | 126 | |
| 3 | 13 | | 27 | 127 | |
| 4 | 14 | | 28 | 128 | |
| 5 | 15 | | 29 | 129 | |
| 6 | 16 | | 30 | 130 | |
| 7 | 17 | | 31 | 131 | |
| 8 | 18 | | 32 | 132 | |
| 9 | 19 | | 33 | 133 | |
| 10 | 110 | | 34 | 134 | |
| 11 | 111 | | 35 | 135 | |
| 12 | 112 | | 36 | 136 | |
| 13 | 113 | | 37 | H | |
| 14 | 114 | | 38 | | |
| 15 | 115 | | 39 | | |
| 16 | 116 | | 40 | 11w | |
| 17 | 117 | | 41 | 12w | |
| 18 | 118 | | 42 | 11y | |
| 19 | 119 | | 43 | 12y | |
| 20 | 120 | | 44 | 0 v | |
| 21 | 121 | | 45 | + 8 v | |
| 22 | 122 | | 46 | -25 v | |
| 23 | 123 | | 47 | +25 v | |
| 24 | 124 | | | | |

Y Buffer
15 Kc Tape Control Unit

38X
12

| Pin | Logic | Conn Circuit | Pin | Logic | Conn Circuit |
|-----|------------------|--------------|-----|-------|--------------|
| 1 | $\overline{Zy1}$ | (short) | 25 | (R1y) | (bead) |
| 2 | $\overline{Zy2}$ | " | 26 | (R2y) | " |
| 3 | $\overline{Zy3}$ | " | 27 | (R3y) | " |
| 4 | $\overline{Zy4}$ | " | 28 | (R4y) | " |
| 5 | $\overline{Zy5}$ | " | 29 | (R5y) | " |
| 6 | $\overline{Zy6}$ | " | 30 | (R6y) | " |
| 7 | \overline{Zyp} | " | 31 | (Rpy) | " |
| 8 | \overline{Ecy} | " | 32 | (C12) | " |
| 9 | \overline{Yhs} | " | 33 | (C13) | " |
| 10 | \overline{Sio} | " | 34 | (C14) | " |
| 11 | Buc | " | 35 | (C15) | " |
| 12 | Mtg | (short) | 36 | (C16) | " |
| 13 | \overline{Yes} | " | 37 | (C17) | " |
| 14 | (Y0) | (bead) | 38 | (C18) | " |
| 15 | (Y5) | " | 39 | (C19) | " |
| 16 | (Y6) | " | 40 | (C20) | " |
| 17 | Q2 | " | 41 | (C21) | " |
| 18 | Ioc | " | 42 | (C22) | " |
| 19 | (Y9) | " | 43 | (C23) | (bead) |
| 20 | (Y10) | " | 44 | + 0 v | (short) |
| 21 | (Y11) | " | 45 | + 8 v | " |
| 22 | (Y12) | " | 46 | -25 v | " |
| 23 | (Y13) | " | 47 | +25 v | (short) |
| 24 | (Y14) | (bead) | | | |

241

Punch-Type
Type

45T
Plug A-B

| Pin | Logic | Typewriter | | Pin | Logic | Typewriter | |
|-----|-----------------|------------|--------------|-----|-------|------------|--------------|
| | | Plug | Conn Circuit | | | Plug | Conn Circuit |
| 1 | Ts1 | B7 | Diode | 25 | | | |
| 2 | Ts2 | B6 | Diode | 26 | | | |
| 3 | Ts4 | B5 | Diode | 27 | | | |
| 4 | Ts10 | B4 | Diode | 28 | | | |
| 5 | Ts20 | B9 | 2K Pulldown | 29 | | | |
| 6 | Ts40 | B3 | Diode | 30 | | | |
| 7 | Tc | B13 | 1K Pulldown | 31 | Td1 | A6 | short |
| 8 | Tf | B24 | 2K Pulldown | 32 | Td2 | A5 | " |
| 9 | | | | 33 | Td4 | A1 | " |
| 10 | Et | B22 | 2K Pulldown | 34 | Td10 | A2 | " |
| 11 | Tsp | B18 | 2K Pulldown | 35 | Td20 | A4 | " |
| 12 | Tbs | B17 | 2K Pulldown | 36 | Td40 | A3 | " |
| 13 | Ttb | B19 | 2K Pulldown | 37 | Tdp | A7 | " |
| 14 | Tcr | B16 | 2K Pulldown | 38 | Tdsp | A8 | " |
| 15 | | | | 39 | Tdbs | A9 | " |
| 16 | \overline{Lc} | B21 | 2K Pulldown | 40 | Tdcr | A10 | " |
| 17 | | | | 41 | Tduc | A14 | " |
| 18 | | | | 42 | Tdtb | A11 | " |
| 19 | | | | 43 | Tdlc | A13 | " |
| 20 | +50 | A16 | | 44 | + 0 v | | " |
| 21 | +50 | A16 | | 45 | + 8 v | B23 | " |
| 22 | | | | 46 | -25 v | | " |
| 23 | | | | 47 | +25 v | | " |
| 24 | | | | | | | |

Punch-Type
Punch

44T
Plug

Y Buffer 37X

| Pin | Logic | Conn Circuit | Pin | Logic | Punch Plug | Conn Circuit |
|-----|-------|--------------|-----|----------|------------|--------------|
| 1 | | | 25 | 50 | H | |
| 2 | | | 26 | | | |
| 3 | | | 27 | Kcp | C | Pulldown |
| 4 | | | 28 | Test | Y | |
| 5 | | | 29 | Pd | b | short |
| 6 | | | 30 | Ksp | N | Pullup |
| 7 | | | 31 | Pf | A | short |
| 8 | | | 32 | Pd8 | B | " |
| 9 | | | 33 | Pd7 | F | " |
| 10 | | | 34 | Pd6 | L | " |
| 11 | | | 35 | Pd5 | R | " |
| 12 | | | 36 | Pd4 | V | " |
| 13 | | | 37 | Psp | E | " |
| 14 | | | 38 | Pd3 | Z | " |
| 15 | | | 39 | Pd2 | d | " |
| 16 | | | 40 | Pd1 | i | " |
| 17 | | | 41 | Common 1 | | " |
| 18 | | | 42 | Common 2 | D | " |
| 19 | | | 43 | Common 3 | | short |
| 20 | | | 44 | Gnd | K | " |
| 21 | | | 45 | + 8 | | " |
| 22 | | | 46 | -25 | | " |
| 23 | | | 47 | +25 | a | " |
| 24 | | | | | | |

| Pin | Logic | Conn Circuit | Pin | Logic | Conn Circuit |
|-----|------------------|--------------|-----|-------|--------------|
| 1 | $\overline{Zy1}$ | (short) | 25 | (R1y) | (bead) |
| 2 | Zy2 | " | 26 | (R2y) | " |
| 3 | Zy3 | " | 27 | (R3y) | " |
| 4 | Zy4 | " | 28 | (R4y) | " |
| 5 | Zy5 | " | 29 | (R5y) | " |
| 6 | Zy6 | " | 30 | (R6y) | " |
| 7 | Zyp | " | 31 | (Rpy) | " |
| 8 | Ecy | " | 32 | (C12) | " |
| 9 | \overline{Yhs} | " | 33 | (C13) | " |
| 10 | Sio | " | 34 | (C14) | " |
| 11 | Buc | " | 35 | (C15) | " |
| 12 | Np | (short) | 36 | (C16) | " |
| 13 | Yes | | 37 | (C17) | " |
| 14 | (Y0) | (bead) | 38 | (C18) | " |
| 15 | (Y5) | | 39 | (C19) | " |
| 16 | (Y6) | | 40 | (C20) | " |
| 17 | (Q2) | | 41 | (C21) | " |
| 18 | loc | | 42 | (C22) | " |
| 19 | (Y9) | | 43 | (C23) | (bead) |
| 20 | (Y10) | | 44 | + 0 v | (short) |
| 21 | (Y11) | | 45 | + 8 v | " |
| 22 | (Y12) | | 46 | -25v | " |
| 23 | (Y13) | | 47 | +25v | (short) |
| 24 | (Y14) | (bead) | | | |

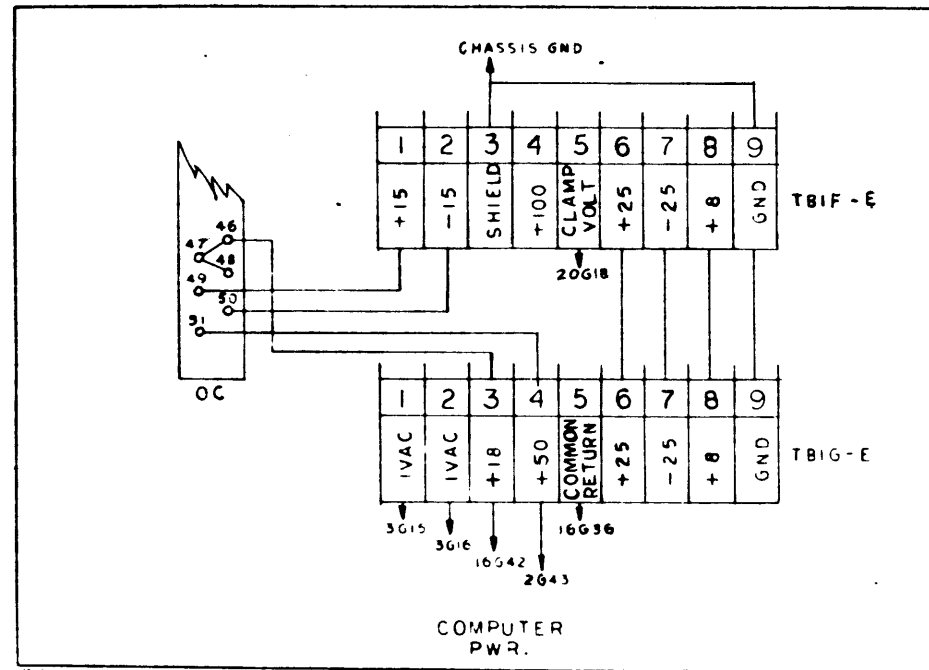
243

| Pin | Logic | Conn Circuit | Pin | Logic | Conn Circuit |
|-----|------------------|--------------|-----|-------------------|--------------|
| 1 | (R7y) | | 25 | $\overline{Zy7}$ | |
| 2 | (R8y) | | 26 | $\overline{Zy8}$ | |
| 3 | (R9y) | | 27 | $\overline{Zy9}$ | |
| 4 | (R10y) | | 28 | $\overline{Zy10}$ | |
| 5 | (R11y) | | 29 | $\overline{Zy11}$ | |
| 6 | (R12y) | | 30 | $\overline{Zy12}$ | |
| 7 | (R13y) | | 31 | $\overline{Zy13}$ | |
| 8 | (R14y) | | 32 | $\overline{Zy14}$ | |
| 9 | (R15y) | | 33 | $\overline{Zy15}$ | |
| 10 | (R16y) | | 34 | $\overline{Zy16}$ | |
| 11 | (R17y) | | 35 | $\overline{Zy17}$ | |
| 12 | (R18y) | | 36 | $\overline{Zy18}$ | |
| 13 | (R19y) | | 37 | $\overline{Zy19}$ | |
| 14 | (R20y) | | 38 | $\overline{Zy20}$ | |
| 15 | (R21y) | | 39 | $\overline{Zy21}$ | |
| 16 | (R22y) | | 40 | $\overline{Zy22}$ | |
| 17 | (R23y) | | 41 | $\overline{Zy23}$ | |
| 18 | (R24y) | | 42 | $\overline{Zy24}$ | |
| 19 | \overline{Rpe} | | 43 | | |
| 20 | | | 44 | + 0 v | |
| 21 | | | 45 | + 8 v | |
| 22 | | | 46 | -25 v | |
| 23 | | | 47 | +25 v | |
| 24 | | | | | |

| Pin | Logic | Conn Circuit | Pin | Logic | Conn Circuit |
|-----|------------------|--------------|-----|-------------------|--------------|
| 1 | (R7y) | | 25 | $\overline{Zy7}$ | |
| 2 | (R8y) | | 26 | $\overline{Zy8}$ | |
| 3 | (R9y) | | 27 | $\overline{Zy9}$ | |
| 4 | (R10y) | | 28 | $\overline{Zy10}$ | |
| 5 | (R11y) | | 29 | $\overline{Zy11}$ | |
| 6 | (R12y) | | 30 | $\overline{Zy12}$ | |
| 7 | (R13y) | | 31 | $\overline{Zy13}$ | |
| 8 | (R14y) | | 32 | $\overline{Zy14}$ | |
| 9 | (R15y) | | 33 | $\overline{Zy15}$ | |
| 10 | (R16y) | | 34 | $\overline{Zy16}$ | |
| 11 | (R17y) | | 35 | $\overline{Zy17}$ | |
| 12 | (R18y) | | 36 | $\overline{Zy18}$ | |
| 13 | (R19y) | | 37 | $\overline{Zy19}$ | |
| 14 | (R20y) | | 38 | $\overline{Zy20}$ | |
| 15 | (R21y) | | 39 | $\overline{Zy21}$ | |
| 16 | (R22y) | | 40 | $\overline{Zy22}$ | |
| 17 | (R23y) | | 41 | $\overline{Zy23}$ | |
| 18 | (R24y) | | 42 | $\overline{Zy24}$ | |
| 19 | \overline{Rpe} | | 43 | | |
| 20 | | | 44 | + 0 v | |
| 21 | | | 45 | + 8 v | |
| 22 | | | 46 | -25 v | |
| 23 | | | 47 | +25 v | |
| 24 | | | | | |

244

| REV | | DESCRIPTION | | CHK | DATE | APPROVED |
|-----|--|---------------|--|-----|------|----------|
| E | | SEE REV. E.O. | | | | |



910
PAGE 155
E

| NO. REQ. | DRAWING NO. | DESCRIPTION | REFERENCE DESIGNATION | ITEM NO. |
|---|-------------|-------------|--|-----------------|
| MATERIAL LIST | | | | |
| NOTES UNLESS SPECIFIED | | DRAWN | SDS SCIENTIFIC DATA SYSTEMS 1542 FIFTEENTH STREET, SANTA MONICA, CALIFORNIA | |
| 1. TOLERANCES LE : 0.005 CR : 0.010 | | CHECK | TITLE | |
| 2. BREAK ALL SHARP EDGES 1:8 APPROX | | APPR | DIAGRAM, LOGIC COMPUTER | |
| 3. HATCH SURFACES | | | MODEL NO. 910 | |
| 4. ALL DIM IN INCHES | | | NEXT ASSY | |
| | | | REV. D | DWG. NO. 101702 |
| | | | E | |
| | | SCALE | DO NOT SCALE DRAWING SHEET | |

| REVISIONS | | | |
|-----------|--------------|------|------|
| REV. | DESCRIPTION | CHK. | DATE |
| F | SEE REV. 10. | | |

MODULE LIST

| ITEM | DESCRIPTION | MODEL | QTY |
|------|-----------------------|----------------------|-----|
| 1 | CLOCK GENERATOR #1 | CK 53 | 1 |
| 2 | CLOCK GENERATOR #2 | CK 54 | 1 |
| 3 | SHIFT REGISTER | DK 51 | 8 |
| 4 | REPEATER FLIP FLOP | FK 51 | 24 |
| 5 | DUAL FLIP FLOP | FK 52 | 48 |
| 6 | DIODE GATE #1 | GK 51 | 25 |
| 7 | DIODE GATE #2 | GK 52 | 13 |
| 8 | DISCRIMINATOR | HK 51 | 2 |
| 9 | Z" DRIVER | HK 52 | 3 |
| 10 | GATED LOGIC AMPLIFIER | IK 54 | 1 |
| 11 | SELECTOR CONTROL | HK 55 | 2 |
| 12 | SENSE AMPLIFIER | HK 59 | 5 |
| 13 | INVERTER AMPLIFIER | IK 51 | 15 |
| 14 | AND/GATE INVERTER | IK 53 | 1 |
| 15 | ADDRESS DECODER | QK 52 | 4 |
| 16 | "XY" SELECTOR | QK 53 | 4 |
| 17 | RELAY DRIVER | RK 51 | 1 |
| 18 | VOLTAGE REGULATOR | SK 53 | 1 |
| 19 | PRIORITY INTERRUPT | SK 55 | 2 |
| 20 | REGULATOR CLAMP | SK 56 | 1 |
| 21 | VOLTAGE REGULATOR | SK 57 | 1 |
| 22 | CURRENT REGULATOR | SK 58 | 1 |
| 23 | TERMINATION (136) | ZK 52 | 1 |
| 24 | | | |
| 25 | CORE MEMORY ASSY | 9102A008 9104A008 | 1 |

REPLACEMENT PARTS LIST FOR (D) MEMORY EXT. (TYP FOR E & F)

| ITEM | DESCRIPTION | DESIGNATION | QTY | SUPPLIER CODE (SEE INDEX) |
|------|---|--|-----|---------------------------|
| 1 | CONNECTOR, SOLDER TAIL 47 CONTACT #7008-47 | J(26D) THRU J(28D) J(41D) THRU J(45D) | 8 | 82 |
| 2 | CONNECTOR, 140 PIN MALE #MH8018-140-6 | J(35D) | 1 | 82 |

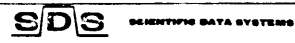
REPLACEMENT PARTS LIST

| ITEM | DESCRIPTION | DESIGNATION | QTY | SUPPLIER CODE (SEE INDEX) |
|------|---|--|-----|---------------------------|
| 1 | CONNECTOR, SOLDER TAIL 47 CONTACT #7008-47 | J(1A) THRU J(45A) J(1B) J(45B) J(1C) J(45C) J(1D) J(45D) J(1E) J(45E) J(1G) THRU J(25G) | 198 | 82 |
| 2 | CONNECTOR, 140 PIN MALE #MH8018-140-6 | J(35C) | 1 | 82 |

MODULE LIST FOR (D) MEMORY EXT. (TYP FOR E & F)

| ITEM | DESCRIPTION | MODEL | QTY |
|------|------------------|----------------------|-----|
| 1 | Z" DRIVER | HK 52 | 3 |
| 2 | SENSE AMPLIFIER | HK 59 | 5 |
| 3 | CORE MEMORY ASSY | 9102A008 9104A008 | 1 |

910
PAGE 137
F

| NO. REV. | DRAWING NO. | DESCRIPTION | REFERENCE DESIGNATION | ITEM NO. |
|--|------------------------------|-------------------------|---|----------|
| | | | | |
| MATERIAL LIST | | | | |
| NOTES UNLESS SPECIFIED | | DRAWN J. IRELAND 5-8-63 |  1545 FIFTEENTH STREET SANTA MONICA, CALIFORNIA | |
| 1. TOLERANCES 25 ±.000 30 ±.010 | CHECK SK [Signature] 7/23/63 | APPR. [Signature] | TITLE | |
| 2. BREAK ALL SHARP EDGES 3. HATCH SURFACES 4. ALL DIM. IN INCHES | | | DIAGRAM, LOGIC COMPUTER | |
| MODEL NO. 910 | SIZE D | DWG. NO. 101702 | F | |
| NEXT ASSY. | SCALE | DO NOT SCALE DRAWING | SHEET | |

MODULE LIST

| ITEM | DESCRIPTION | MODEL | QTY |
|------|-----------------------|------------------------|-----|
| 1 | CLOCK GENERATOR # 1 | CK 53 | 1 |
| 2 | CLOCK GENERATOR # 2 | CK 54 | 1 |
| 3 | SHIFT REGISTER | DK 51 | 8 |
| 4 | REPEATER FLIP FLOP | FK 51 | 24 |
| 5 | DUAL FLIP FLOP | FK 52 | 48 |
| 6 | DIODE GATE # 1 | GK 51 | 25 |
| 7 | DIODE GATE # 2 | GK 52 | 13 |
| 8 | DISCRIMINATOR | HK 51 | 2 |
| 9 | "Z" DRIVER | HK 52 | 3 |
| 10 | GATED LOGIC AMPLIFIER | IK 54 | 1 |
| 11 | SELECTOR CONTROL | HK 55 | 2 |
| 12 | SENSE AMPLIFIER | HK 59 | 5 |
| 13 | INVERTER AMPLIFIER | IK 51 | 15 |
| 14 | AND/GATE INVERTER | IK 53 | 1 |
| 15 | ADDRESS DECODER | QK 52 | 4 |
| 16 | "XY" SELECTOR | QK 53 | 4 |
| 17 | RELAY DRIVER | RK 51 | 1 |
| 18 | VOLTAGE REGULATOR | SK 53 | 1 |
| 19 | PRIORITY INTERRUPT | SK 55 | 2 |
| 20 | REGULATOR & CLAMP | SK 56 | 1 |
| 21 | VOLTAGE REGULATOR | SK 57 | 1 |
| 22 | CURRENT REGULATOR | SK 58 | 1 |
| 23 | TERMINATION (136) | ZK 52 | 1 |
| 24 | | | |
| 25 | CORE MEMORY ASSY | 9102 A08B 9104 A08B | 1 |

MODULE LIST FOR (D) MEMORY EXT. (TYP FOR E & F)

| ITEM | DESCRIPTION | MODEL | QTY |
|------|------------------|------------------------|-----|
| 1 | "Z" DRIVER | HK 52 | 3 |
| 2 | SENSE AMPLIFIER | HK 59 | 5 |
| 3 | CORE MEMORY ASSY | 9102 A08B 9104 A08B | 1 |

REPLACEMENT PARTS LIST FOR (D) MEMORY EXT. (TYP FOR E & F)

| ITEM | DESCRIPTION | DESIGNATION | QTY | SUPPLIER CODE (SEE INDEX) |
|------|--|--|-----|------------------------------|
| 1 | CONNECTOR, SOLDER TAIL 47 CONTACT # 7008-47 | J(26D) THRU J(28D) J(41D) THRU J(45D) | 8 | 82 |
| 2 | CONNECTOR, 140 PIN MALE # MH8018-140-6 | J(35D) | 1 | 82 |

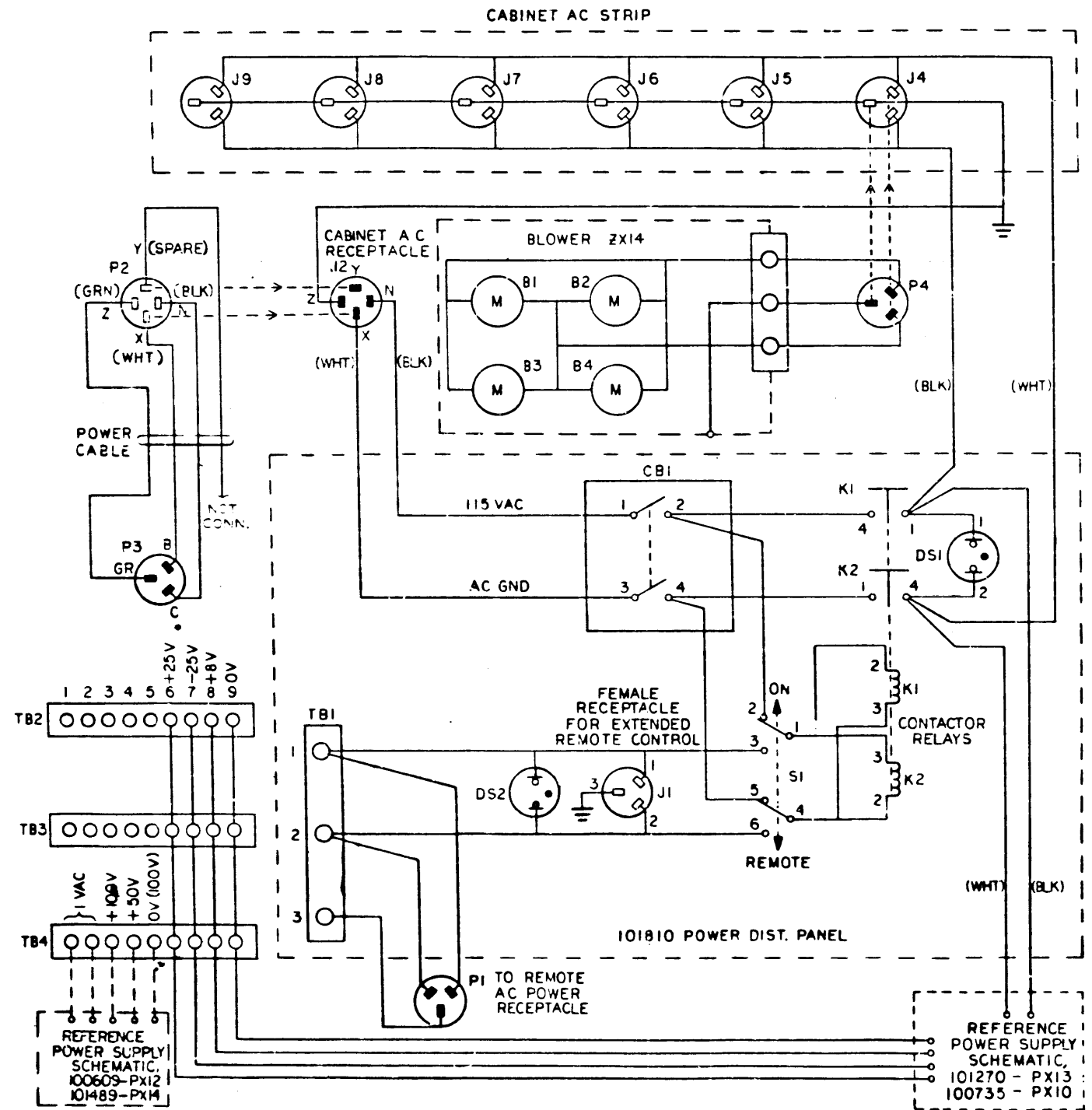
REPLACEMENT PARTS LIST

| ITEM | DESCRIPTION | DESIGNATION | QTY | SUPPLIER CODE (SEE INDEX) |
|------|--|---|-----|------------------------------|
| 1 | CONNECTOR, SOLDER TAIL 47 CONTACT # 7008-47 | J(1A) THRU J(45A) J(1B) J(45B) J(1C) J(28C) J(41C) J(45C) J(1D) J(25D) J(1E) J(25E) J(16) THRU J(256) | 198 | 82 |
| 2 | CONNECTOR, 140 PIN MALE # MH8018-140-6 | J(35C) | 1 | 82 |

DIAGRAM, LOGIC,
COMPUTER DWG. NO. 101702

| REVISIONS | | | |
|-----------|-------------|------|------|
| REV | DESCRIPTION | CHKD | DATE |
| 3 | SEE REV E.O | | |

REFERENCE DESIGNATIONS ARE ABBREVIATED. PREFIX THE DESIGNATION WITH UNIT NUMBER OR ASSEMBLY DESIGNATION OR BOTH. (MIL. STD. 163)



REFERENCE POWER SUPPLY SCHEMATIC, 100609-PX12, 101489-PX4
 TB4-1 THRU TB4-5 ARE CONNECTED AS SHOWN IF PX12 OR PX14 IS INCLUDED.

REFERENCE POWER SUPPLY SCHEMATIC, 101270 - PX13, 100735 - PX10

| REV. | DRAWING NO. | DESCRIPTION | REFERENCE DESIGNATION | ITEM NO. |
|--|-------------|----------------------------|---|----------|
| MATERIAL LIST | | | | |
| NOTED UNLESS SPECIFIED | | DRAWN KEITH 4/16/63 | SDS SYSTEMS DATA SYSTEMS 1544 FIFTEENTH STREET SANTA MONICA, CALIFORNIA | |
| 1. TELETYPE | | CHECK J. J. JENSEN 5/24/63 | | |
| 2. ORIGINAL SHIP ISSUE | | APPR. C. J. JENSEN 5/21/63 | | |
| 3. BASIC SURPLUS | | | | |
| 4. ALL OTHERS | | | TITLE | |
| SCHEMATIC, POWER DISTRIBUTION | | | | |
| MODEL NO. 9110, 9114, 9119, 9210, 9214, 9219 | | REV. NO. D | | 102334 |
| MIL. SPEC. 101810, 101000, 100800, 100951 | | SCALE | | 1 OF 2 |

248

102334/B

| REVISIONS | | | |
|-----------|-------------|-----|------|
| REV. | DESCRIPTION | CHK | DATE |
| | SEE SHT ONE | | |

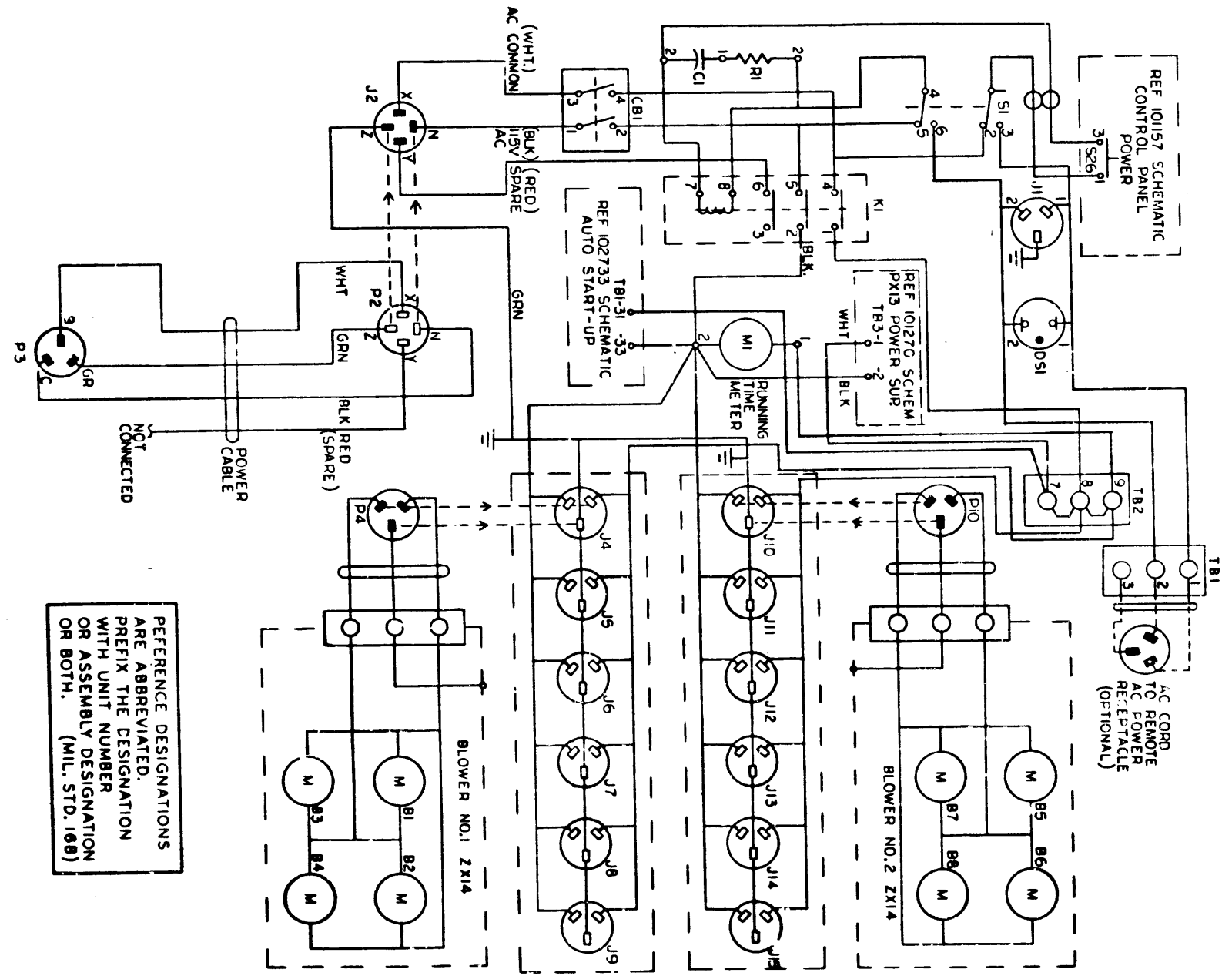
REPLACEMENT PARTS LIST

| ITEM | DESCRIPTION | DESIGNATION | QTY | SUPPLIER CODE (SEE INDEX) |
|------|--|-------------|-----|------------------------------|
| 1 | CORD, A.C. *16/3 SPT-3 CORD WITH *PA-3 PLUG | P1, P4 | 2 | 101 |
| 2 | CONNECTOR, 5 WIRE FEMALE *3523 | P2 | 1 | 102 |
| 3 | CONNECTOR, 3 WIRE MALE *3331 | P3 | 1 | 102 |
| 4 | RECEPTACLE, 3 WIRE FEMALE *5256 | J1 | 1 | 102 |
| 5 | CONNECTOR, 5 WIRE MALE *3525 | J2 | 1 | 102 |
| 6 | WIREMOLD, A.C. *G-20GB306 | J4 THRU J9 | 1 | 103 |
| 7 | LAMP, NEON *249-784H-1437 | DS1, DS2 | 2 | 104 |
| 8 | RELAY, SPST *CNAS-13A/115 VAC | K1, K2 | 2 | 79 |
| 9 | CIRCUIT BREAKER, DOUBLE POLE *2XAM1516-35-250 VAC 60 CYCLE CURVE 2 | CBI | 1 | 105 |
| 10 | SWITCH, TOGGLE CPDT | S1 | 1 | 106 |

102334 B

| DWG NO. | DESCRIPTION | REFERENCE DESIGNATION | | | |
|--|--|--|--|--|--|
| 102334 | SCHEMATIC POWER DISTRIBUTION | B | | | |
| <table border="1"> <tr> <td> 1. CHECK FOR 2. CHECK FOR 3. CHECK FOR 4. CHECK FOR 5. CHECK FOR </td> <td> DRAWN: <i>W.H.</i> CHECKED: <i>C. Brown</i> APPLIC: <i>W. Mitchell</i> </td> <td> DATE: 5/21/63 TITLE: SCHEMATIC POWER DISTRIBUTION Dwg No: 102334 Rev: B </td> </tr> </table> | | | 1. CHECK FOR 2. CHECK FOR 3. CHECK FOR 4. CHECK FOR 5. CHECK FOR | DRAWN: <i>W.H.</i> CHECKED: <i>C. Brown</i> APPLIC: <i>W. Mitchell</i> | DATE: 5/21/63 TITLE: SCHEMATIC POWER DISTRIBUTION Dwg No: 102334 Rev: B |
| 1. CHECK FOR 2. CHECK FOR 3. CHECK FOR 4. CHECK FOR 5. CHECK FOR | DRAWN: <i>W.H.</i> CHECKED: <i>C. Brown</i> APPLIC: <i>W. Mitchell</i> | DATE: 5/21/63 TITLE: SCHEMATIC POWER DISTRIBUTION Dwg No: 102334 Rev: B | | | |
| MODEL NOS. 9110, 9114, 9119, 9210, 9214, 9219 PART NOS. 101810, 101088, 100686, 100951 | | | | | |

| REVISIONS | | | |
|-----------|---------------|------|----------|
| REV. | DESCRIPTION | DATE | APPROVED |
| B | SEE REV. E.O. | | |
| C | SEE REV. E.O. | | |
| D | SEE REV. E.O. | | |
| E | SEE REV. E.O. | | |
| F | SEE REV. E.O. | | |
| G | SEE REV. E.O. | | |



| DRAWING NO. | DESCRIPTION | REFERENCE DESIGNATION | REV. |
|-------------------------------|-------------------------------|-----------------------|-----------------|
| 102675 | SCHEMATIC, POWER DISTRIBUTION | | G |
| MATERIAL LIST | | | |
| 1. TITLE | 2. DRAWN | 3. CHECKED | 4. APPROVED |
| SCHEMATIC, POWER DISTRIBUTION | W. J. [Signature] | J. [Signature] | J. [Signature] |
| 5. PARTS LIST | 6. QUANTITY | 7. UNIT | 8. COMMENTS |
| | | | |
| 9. DATE | 10. DRAWN BY | 11. CHECKED BY | 12. APPROVED BY |
| 912, 915, 9212 | W. J. | J. | J. |
| 102675 | | | |
| 102205/80087 | | | |

250


102675 G

113

| REVISIONS | | 102675 |
|-----------|-------------|---------------|
| REV. | DESCRIPTION | DATE APPROVED |
| | SEE INT 1 | |

REPLACEMENT PARTS LIST

| ITEM | DESCRIPTION | DESIGNATION | QTY | SUPPLIER CODE (SEE INDEX) |
|------|--|---------------------------|-------------|---------------------------|
| 1 | CORD, A.C. #16/3 SPT-3 CORD WITH #PA-3 PLUG | P1 | 1 (OR NONE) | 101 |
| 2 | CONNECTOR, 5 WIRE FEMALE #3523 | P2 | 1 | 102 |
| 3 | CONNECTOR, 3 WIRE MALE #3331 | P3 | 1 | 102 |
| 4 | CORD, A.C. #16/3 SPT-3 CORD WITH #PA-3 PLUG | P4 (P10) | 1 (OR 2) | 101 |
| 5 | RECEPTACLE, 3 WIRE FEMALE #5256 | J1 | 1 | 102 |
| 6 | CONNECTOR, 5 WIRE MALE #3524 | J2 | 1 | 102 |
| 7 | WIREMOLD, A.C. #G-206B306 | J4 THRU J9 (J10 THRU J15) | 1 (OR 2) | 103 |
| 8 | LAMP, NEON #249-784IH-1437 | DS1 | 1 | 104 |
| 9 | CONTACTOR, 30 AMP, 600 VAC #702 BAD 92 SERIES K | K1 | 1 | 107 |
| 10 | CIRCUIT BREAKER, DOUBLE POLE #2XAM1516-35-250 VAC 60 CYCLE CURVE 2 | CB1 | 1 | 105 |
| 11 | SWITCH, TOGGLE DPDT | S1 | 1 | 106 |
| 12 | RESISTOR, W.W. 10 Ω \pm 5% | R1 | 1 | 99, 100 |
| 13 | CAPACITOR, OIL .25 μ f \pm 20%, 1000V | C1 | 1 | 80, 81 |
| 14 | METER, TIME #50-236402AAAA1 120 V, 60 CYCLES | M1 | 1 | 108 |
| 15 | RELAY, DPDT DOG-EYED #BO-5A/115VAC | K2 | 1 | 78, 79 |
| 16 | DIODE, IN3189 | CR1 | 1 | 2, 6, 30, 68 |
| 17 | RESISTOR, W.W. 470 Ω \pm 5%, 20 W | R2 | 1 | 99, 100 |

| DRAWING NO. | DESCRIPTION | REFERENCE DESIGNATION |
|--|---|-----------------------|
| | | |
| MATERIAL LIST | | |
| DESIGNED BY: <i>W. J. ...</i> CHECKED BY: <i>J. ...</i> APPROVED BY: <i>J. ...</i> DATE: <i>5-1-63</i> SCALE: <i>1/16"</i> |  UNITED STATES GOVERNMENT SCHEMATIC, POWER DISTRIBUTION | |
| DRAWING NO. 9112, 9113, 9212 GPO: 1962 O-224-6, 102286, 104087 | DRAWING NO. D 102675 | SHEET NO. G |

102675 G

| REVISIONS | | | |
|-----------|-----------------|------|------|
| REV. | DESCRIPTION | CHK. | DATE |
| A | RELEASED TO MFG | | |

| PAGE | CHG | PAGE | CHG | PAGE | CHG | PAGE | CHG | PAGE | CHG |
|------|-----|------|-----|------|-----|------|-----|------|-----|
| 1 | A | | | | | | | | |
| 2 | A | | | | | | | | |
| 3 | A | | | | | | | | |
| 4 | A | | | | | | | | |
| 5 | A | | | | | | | | |
| 6 | A | | | | | | | | |
| 7 | A | | | | | | | | |
| 8 | A | | | | | | | | |
| 9 | A | | | | | | | | |
| 10 | A | | | | | | | | |
| 11 | A | | | | | | | | |
| 12 | A | | | | | | | | |
| 13 | A | | | | | | | | |
| 14 | A | | | | | | | | |
| 15 | A | | | | | | | | |
| 16 | A | | | | | | | | |
| 17 | A | | | | | | | | |
| 18 | A | | | | | | | | |
| 19 | A | | | | | | | | |
| 20 | A | | | | | | | | |
| 21 | A | | | | | | | | |

| 107942 PAGE | REPLACES 101702 PAGE |
|-------------|----------------------|
| 2 | 1 |
| 3 | 40 |
| 4 | 41 |
| 5 | 51 |
| 6 | 61 |
| 7 | 62 |
| 8 | 67 |
| 9 | 68 |
| 10 | 70 |
| 11 | 71 |
| 12 | 84 |
| 13 | 90 |
| 14 | 102 |
| 15 | 103 |
| 16 | 107 |
| 17 | 108 |
| 18 | 109 |
| 19 | 110 |
| 20 | 111 |
| 21 | 113 |


| 107942 PAGE | REPLACES 101702 PAGE |
|-------------|----------------------|
| | |
| | |
| | |
| | |
| | |
| | |
| | |
| | |
| | |
| | |
| | |
| | |
| | |
| | |
| | |
| | |
| | |

THIS DWG REPLACES IN PART, DWG 101702 WHEN A 910 COMPUTER IS USED IN CONJUNCTION WITH A 9149 HIGH SPEED INTERLACE. THE PAGES OF THIS DWG REPLACE PAGES OF 101702 AS INDICATED ABOVE.

REFERENCE DESIGNATIONS ARE ABBREVIATED. PREFIX THE DESIGNATION WITH UNIT NUMBER OR ASSEMBLY DESIGNATION OR BOTH. (MIL. STD. 168)

- NOTES
- 1 REV LETTERS LISTED INDICATE STATUS OF EACH SHEET OF THIS MULTIPLE SHEET DRAWING
 - 2 CHECK INDIVIDUAL SHEETS FOR REVISION LETTERS AGAINST THIS SHEET BEFORE USING THIS DRAWING

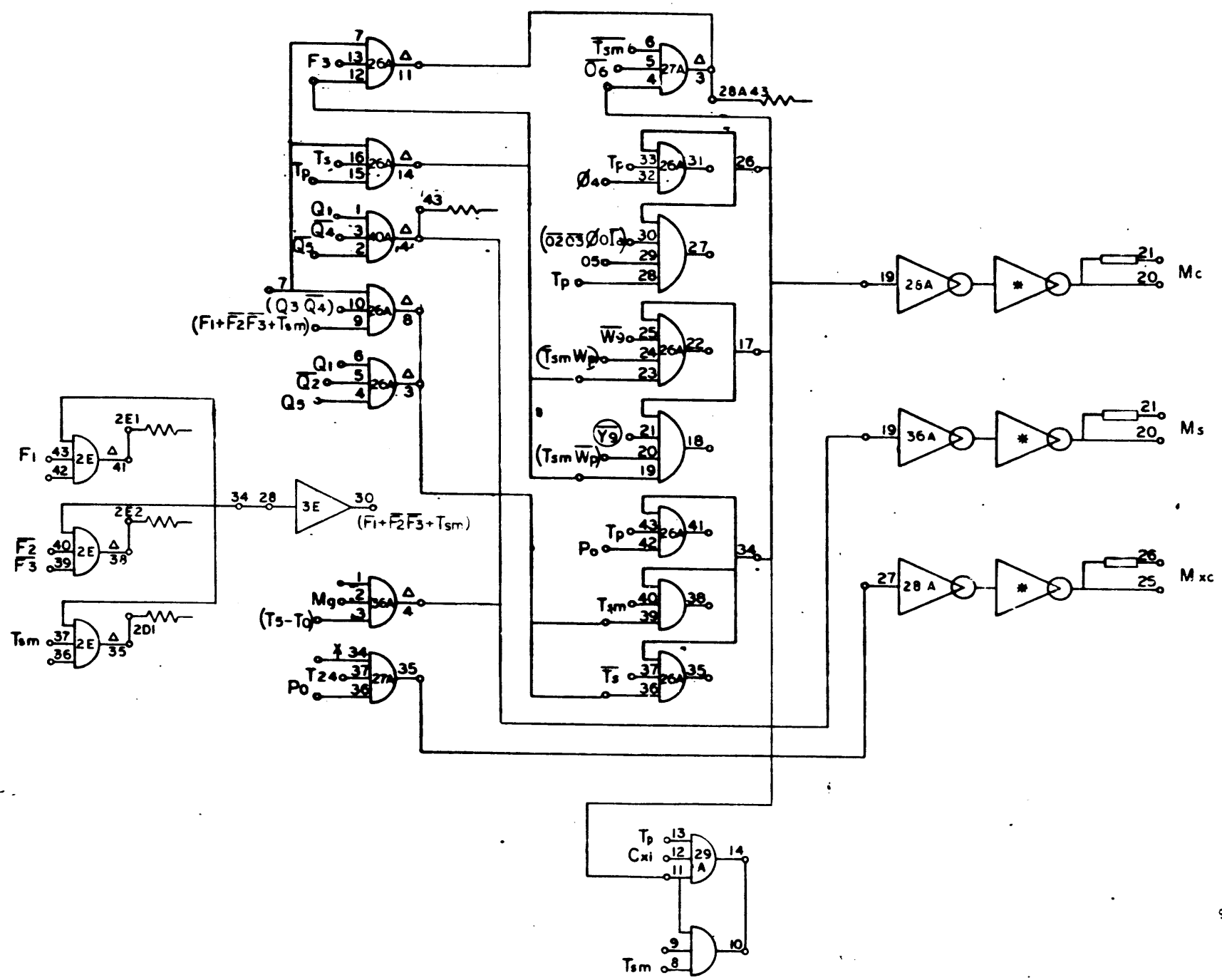
910 (MOD)
COMPUTER
PAGE 1
A

| REV. | DRAWING NO. | DESCRIPTION | REFERENCE DESIGNATION | SYMBOL NO. |
|---|-------------|------------------------------|--|------------|
| | | MATERIAL LIST | | |
| NOTES UNLESS SPECIFIED: | | DRAWN: CASTRO 11/8/64 |  <p>SOFTWARE DATA SYSTEMS 8000 SANTA MONICA, CALIF. 90401</p> | |
| 1. TOLERANCES: UNLESS SPECIFIED | | CHECK: [Signature] | TITLE: DIAGRAM, LOGIC COMPUTER (MCD) | |
| 2. UNLESS SPECIFIED: DIM. 0.005 2X DIM. 0.010 | | APPR: [Signature] | DRAWN NO. 910 (MOD) | |
| 3. BREAK ALL SHARP CORNERS AND POINTS | | | REV. NO. D 107942 | |
| 4. HIDE SURFACES | | | SYMBOL NO. A | |
| 5. ALL DIM. IN DECIMALS | | | SCALE | |
| NEWT. ADJ. | | | DO NOT SCALE DRAWING | |

252

107942 | A

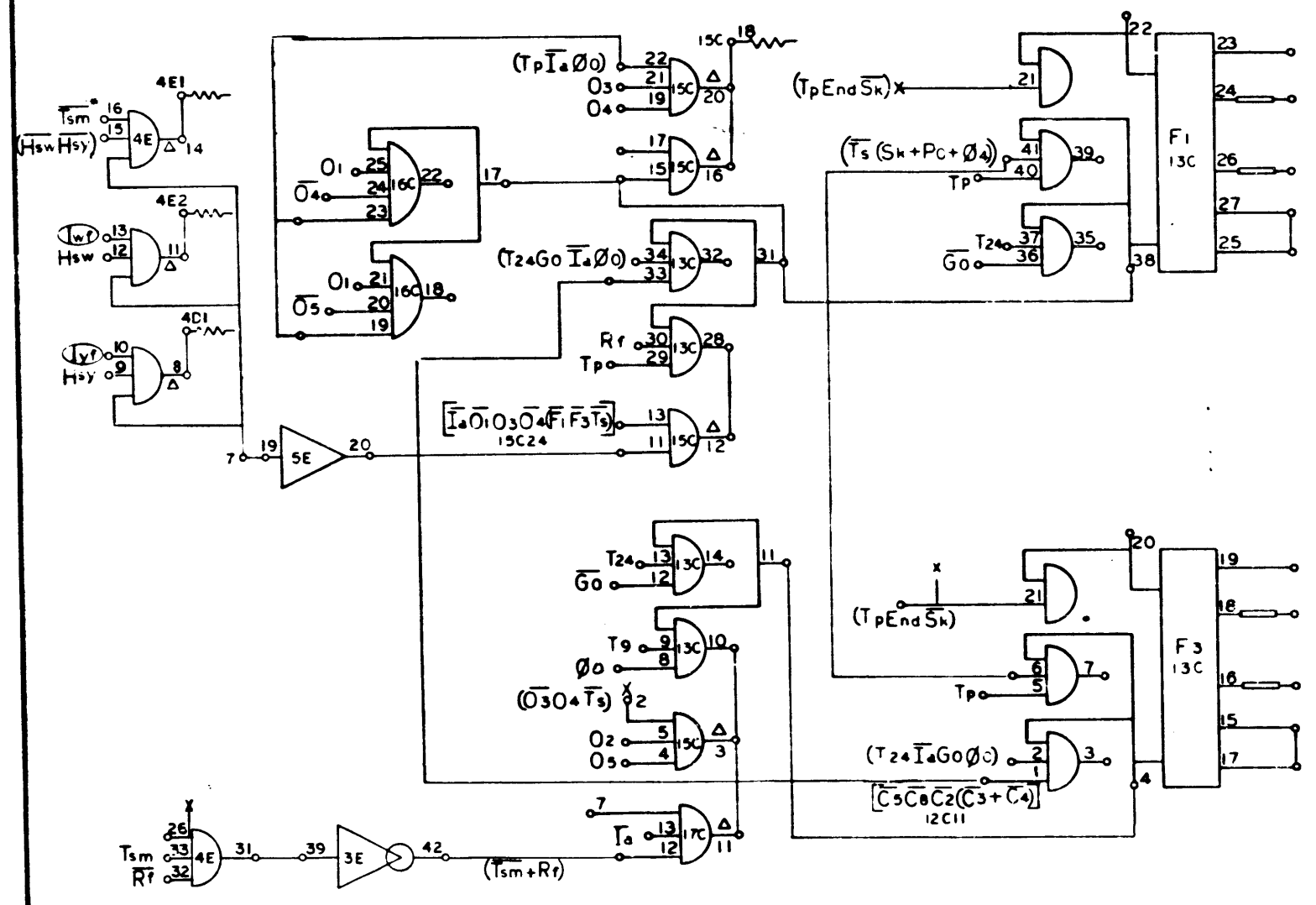
| REV | DESCRIPTION | DATE | BY | APP'D |
|-----|-------------|------|----|-------|
| A | REL TO MFG | | | |



910
Page 1
910 (MOD)
PAGE 2
A

| REV | DATE | DESCRIPTION | REFERENCE DESIGNATION | FILE NO. |
|--|-----------|--|-----------------------|----------|
| | | | | |
| MATERIAL LIST | | | | |
| 1. VOLUNTARILY SPECIFIED 2. VOLUNTARILY SPECIFIED 3. VOLUNTARILY SPECIFIED 4. VOLUNTARILY SPECIFIED 5. VOLUNTARILY SPECIFIED | | TITLE DIAGRAM, LOGIC, COMPUTER MCD | | |
| MODEL NO. | 910(MCD), | REV. NO. | D | 107942 |
| DATE | | SCALE | 50-MIL SCALE DRAWING | |

| REVISION | | DATE | APPROVED |
|----------|-------------|------|----------|
| REV | DESCRIPTION | CHK | DATE |
| A | REL TO MFG | | |



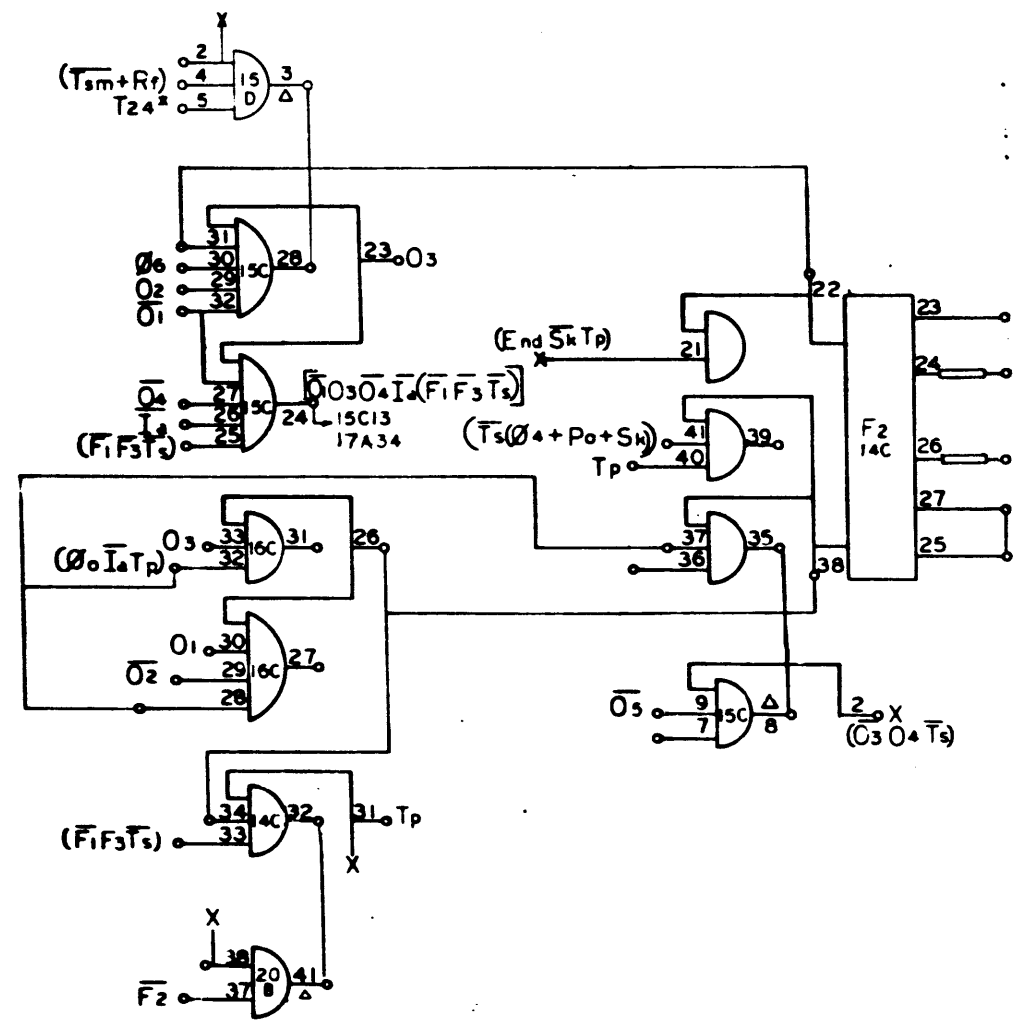
254

107942 A

910
Page 40
910 (MOD)
PAGE 3
A

| NO | DRAWING NO. | DESCRIPTION | REFERENCE DESIGNATION | REV |
|-------------------------------------|-------------|------------------------------|-----------------------|------|
| MATERIAL LIST | | | | |
| NOTES UNLESS SPECIFIED | | DRAWN | CHKD | DATE |
| 1. TELETYPE | | CHKD | | |
| 2. SEE ALL DIMENSIONS AND FINISHES | | APPV | | |
| 3. HATCH UNLESS OTHERWISE SPECIFIED | | | | |
| 4. ALL DIMENSIONS | | | | |
| PART NO. | | TITLE | | |
| 910 (MOD) | | DIAGRAM, LOGIC, COMPUTER MOD | | |
| PARTY | | REV | DATE | |
| | | D | 107942 | A |
| | | SCALE | DO NOT SCALE DRAWING | CHG |

| REV | DESCRIPTION | DATE | BY |
|-----|-------------|------|----|
| A | REL TO MFG | | |



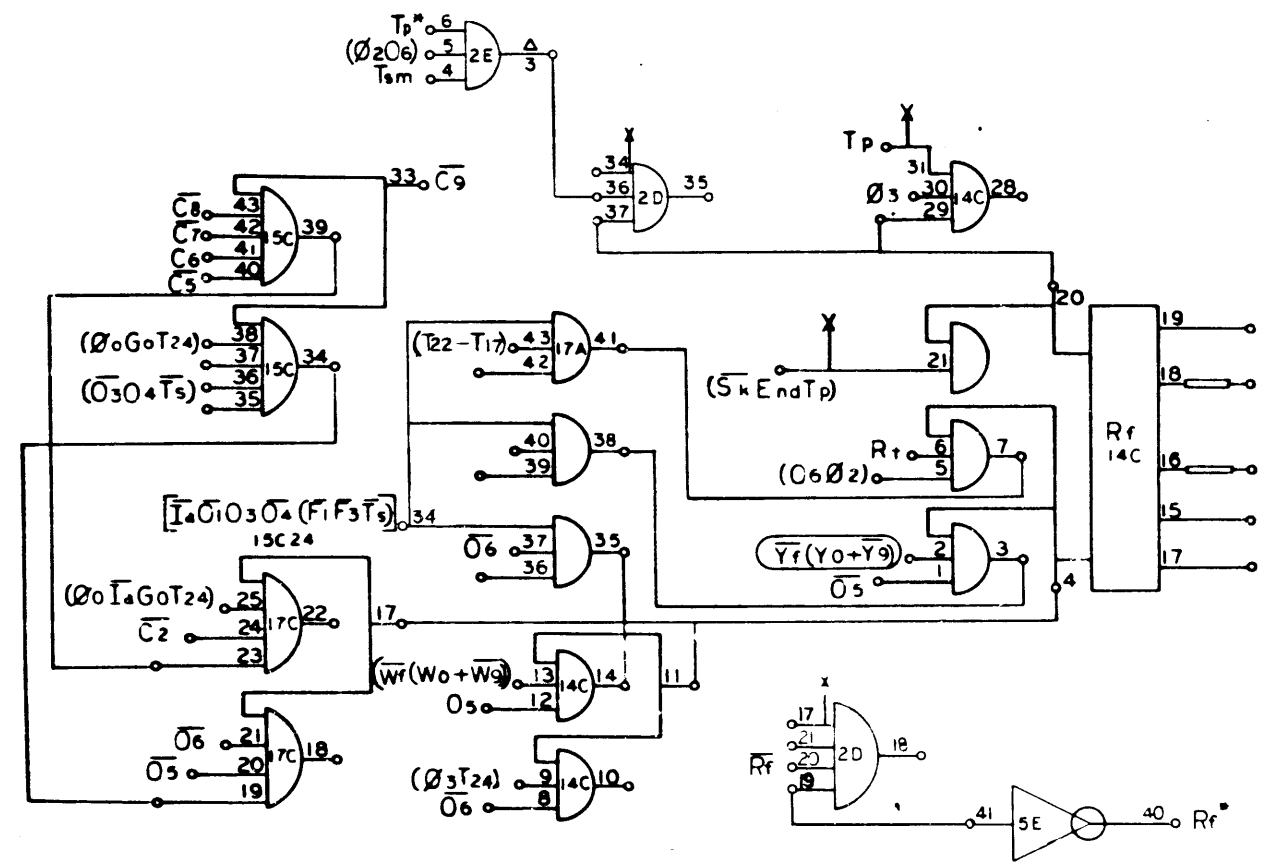
910
Page 4:
910 (MOD)
PAGE 4
A

107942A

| REV | DRAWING NO | DESCRIPTION | REFERENCE DESIGNATION | TYPE |
|--|------------|---|-----------------------|------|
| | | | | |
| MATERIAL LIST | | | | |
| <p>UNLESS UNLESS SPECIFIED</p> <p>1. PAPER: 20 LBS. 11" X 17" ANGLE</p> <p>2. DIMENSIONS: AS SHOWN</p> <p>3. BREAK ALL SHARP CORNERS AND SPACED</p> <p>4. HOLE SURFACES</p> <p>5. ALL DIM. IN INCHES</p> | | | | |
| <p>MODEL NO.</p> <p>910(MCD)</p> | | <p>SDS SCIENTIFIC DATA SYSTEMS</p> <p>1500 POTTERY STREET SANTA MONICA CALIFORNIA</p> <p>DIAGRAM, LOGIC, COMPUTER MOD</p> | | |
| <p>REV. NO.</p> <p>D</p> | | <p>DWG NO.</p> <p>107942</p> | | |
| <p>REV. ASSY</p> | | <p>SCALE</p> <p>IS NOT SCALE DRAWING</p> | | |

| REV | | DESCRIPTION | CHK | DATE | APPROV |
|-----|--|-------------|-----|------|--------|
| A | | REL TO MFG | | | |

256

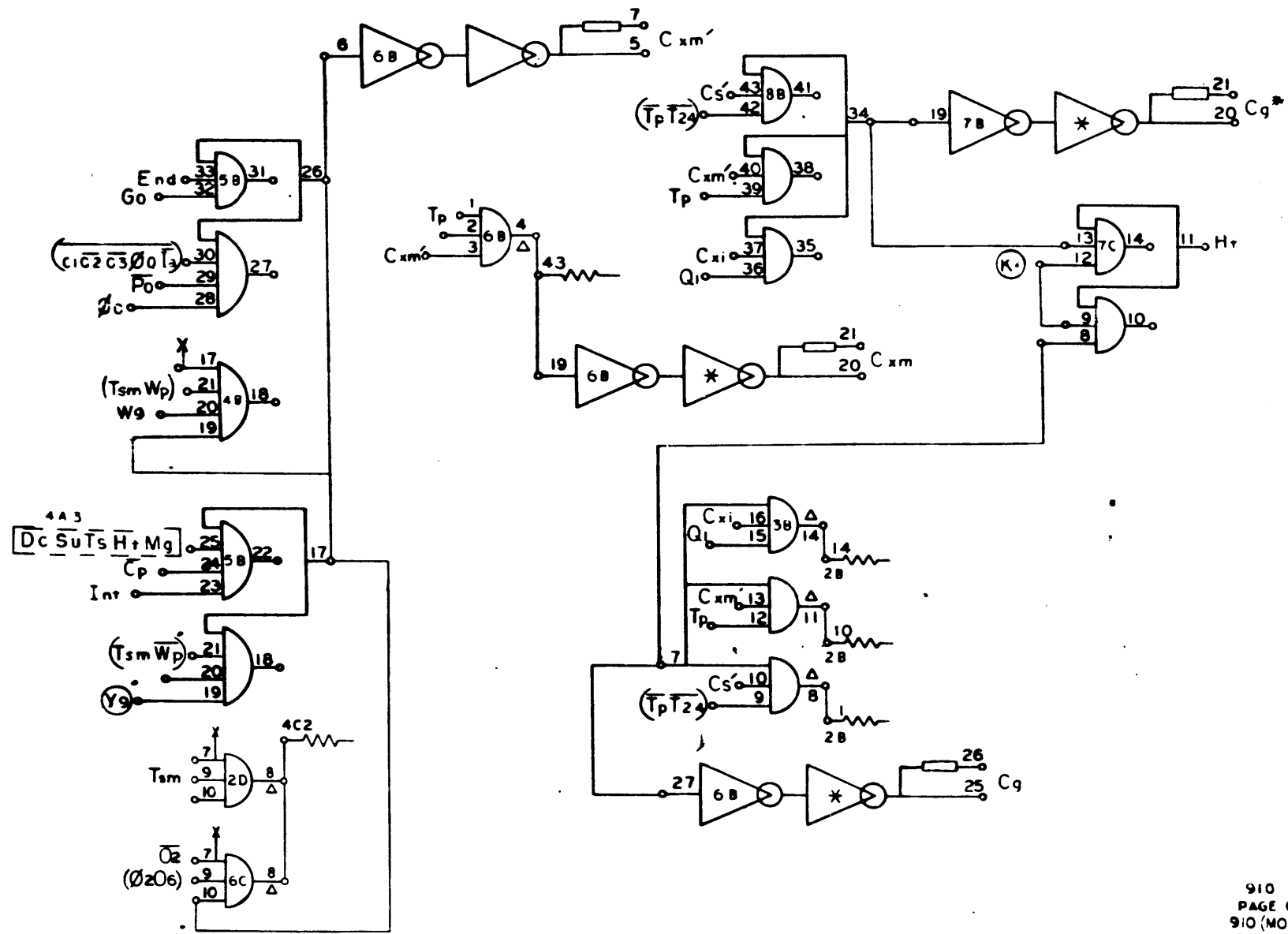


910
PAGE 51
910 (MOD)
PAGE 5
A

107942/A

| NO | DRAWING NO | DESCRIPTION | REFERENCE DESIGNATION | ITER |
|---|------------|---|---|------|
| MATERIAL LIST | | | | |
| SDS SCIENTIFIC DATA SYSTEMS 1400 5TH STREET SANTA MONICA CALIFORNIA | | | | |
| 1. TOLERANCES UNLESS SPECIFIED: 2. DIMS ALL SHOWN DECIMALS 3. HOLE SURFACE 4. ALL DIMS IN INCHES | | CHECKED: [Signature] APPR: [Signature] | TITLE DIAGRAM, LOGIC COMPUTER MOD | |
| MODEL NO: 910(MOD) | | DESG NO: D 107942 | A | |
| SCALE: DO NOT SCALE DRAWING | | | SHEET NO: 51 | |

| REV | | DESCRIPTION | DATE | APPROVED |
|-----|--|-------------|------|----------|
| A | | FILE TO MFG | | |



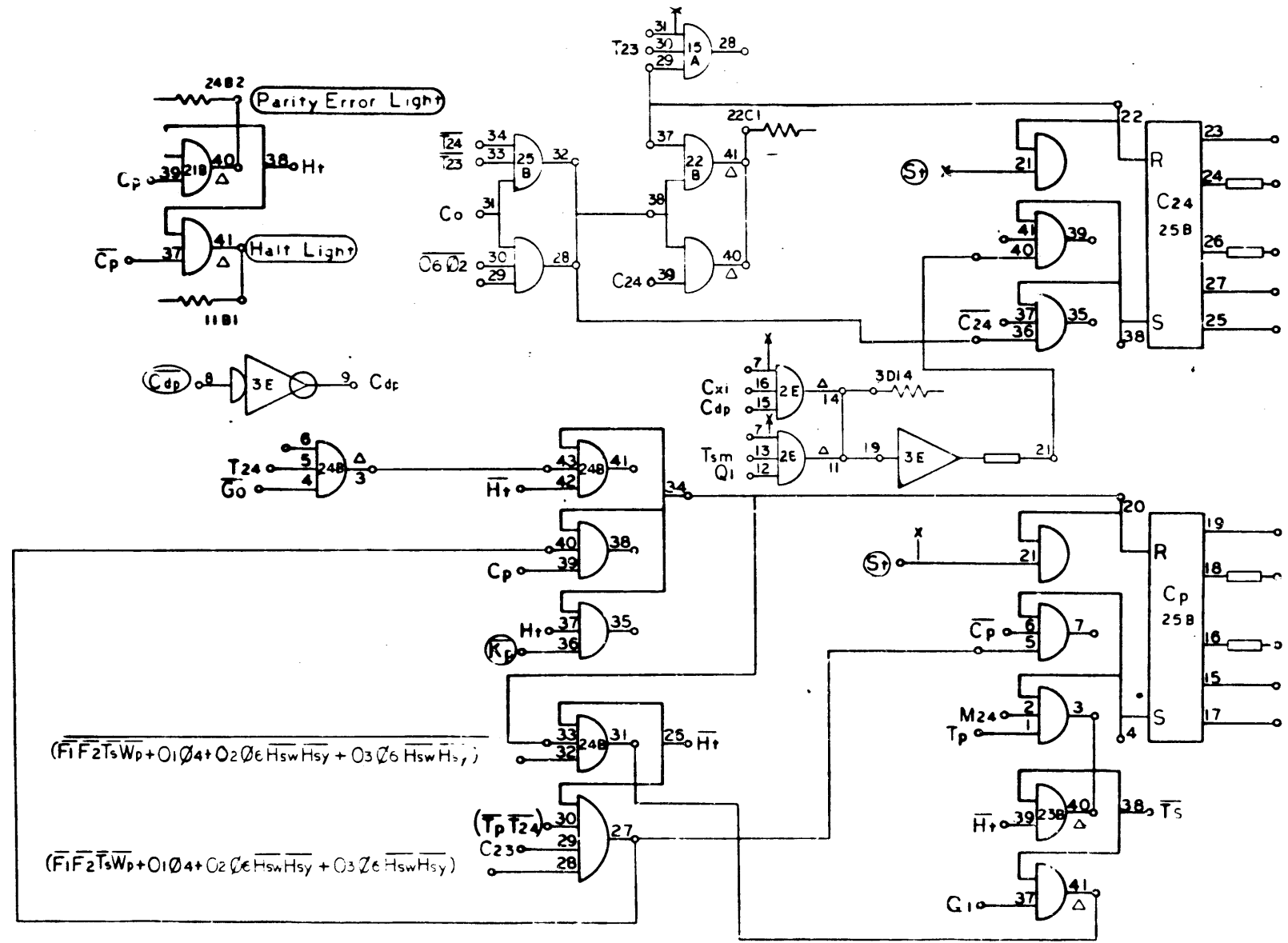
910
PAGE 61
910 (MOD)
PAGE 6
A

107942A

| DWG. NO. | DESCRIPTION | REFERENCE DESIGNATION | REV. NO. | | | | | | | | | | | | | | | | |
|---|----------------------------------|--|------------------|------------------------|--|---------------|--|-------------|---------|--------|---------|-------------------------|----------------|----------------|---------------|----------------|----------------|----------------|------------------|
| 910(MOD) | DIAGRAM, LOGIC COMPUTER NO. 1 | | A | | | | | | | | | | | | | | | | |
| <table border="1"> <thead> <tr> <th colspan="2">NOTES UNLESS SPECIFIED</th> <th colspan="2">MATERIAL LIST</th> </tr> </thead> <tbody> <tr> <td>1. VOLTAGES</td> <td>2. 100V</td> <td>3. 50V</td> <td>4. 2.5V</td> </tr> <tr> <td>5. CHECK ALL DIMENSIONS</td> <td>6. 200 MICRONS</td> <td>7. 100 MICRONS</td> <td>8. 50 MICRONS</td> </tr> <tr> <td>9. 100 MICRONS</td> <td>10. 50 MICRONS</td> <td>11. 25 MICRONS</td> <td>12. 12.5 MICRONS</td> </tr> </tbody> </table> | | | | NOTES UNLESS SPECIFIED | | MATERIAL LIST | | 1. VOLTAGES | 2. 100V | 3. 50V | 4. 2.5V | 5. CHECK ALL DIMENSIONS | 6. 200 MICRONS | 7. 100 MICRONS | 8. 50 MICRONS | 9. 100 MICRONS | 10. 50 MICRONS | 11. 25 MICRONS | 12. 12.5 MICRONS |
| NOTES UNLESS SPECIFIED | | MATERIAL LIST | | | | | | | | | | | | | | | | | |
| 1. VOLTAGES | 2. 100V | 3. 50V | 4. 2.5V | | | | | | | | | | | | | | | | |
| 5. CHECK ALL DIMENSIONS | 6. 200 MICRONS | 7. 100 MICRONS | 8. 50 MICRONS | | | | | | | | | | | | | | | | |
| 9. 100 MICRONS | 10. 50 MICRONS | 11. 25 MICRONS | 12. 12.5 MICRONS | | | | | | | | | | | | | | | | |
| MODEL NO. 910(MOD) REV. NO. D DATE 10794Z SCALE DO NOT SCALE DRAWING | | SDS 1000 PAVANITE STREET SANTA MONICA, CALIFORNIA TITLE 10794Z A | | | | | | | | | | | | | | | | | |

258

| REVISIONS | | | | 107942 A |
|-----------|-------------|-----|------|----------|
| REV | DESCRIPTION | CHK | DATE | APPROVED |
| A | REL TO MFG | | | |

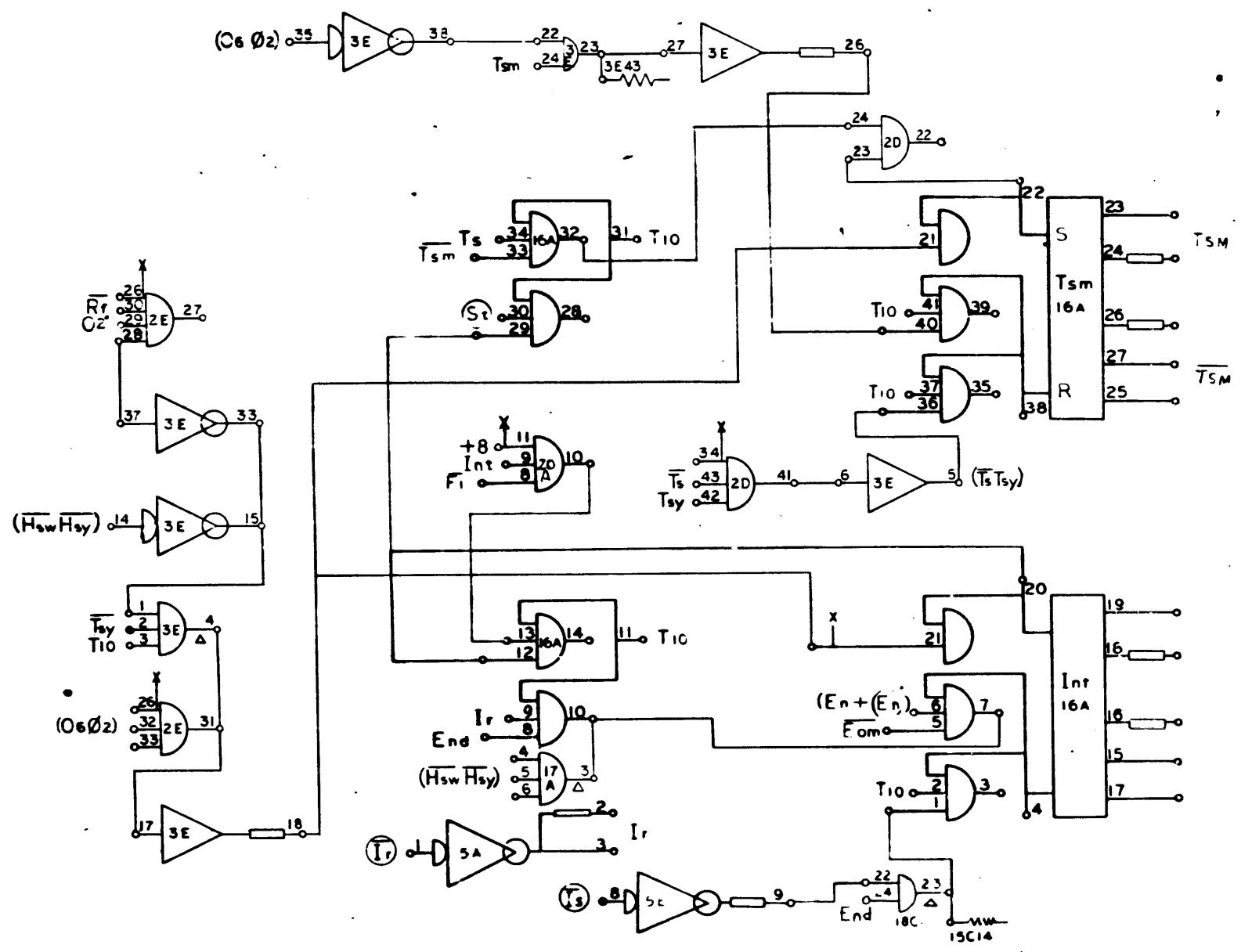


91J
PAGE 62
SIO (MOD)
PAGE 7
A

107942 A

| REV | DRAWING NO. | DESCRIPTION | REFERENCE DESIGNATION | TYPE |
|---|-------------|---------------|--|-----------|
| | | MATERIAL LIST | | |
| NOTES UNLESS SPECIFIED | | DRAWN | | |
| 1. TOLERANCES XX - DIM ANGLE XX - DIM | | CHECK | | |
| 2. BREAK ALL SHARP EDGES DIM APPLIC | | APPR | | |
| 3. MACH SURFACES | | | | |
| 4. ALL DIM IN INCHES | | | | |
| SDS SCIENTIFIC DATA SYSTEMS 1405 PATENT ST. SANTA MONICA, CALIFORNIA | | | TITLE DIAGRAM, LOGIC, COMPUTER MOD | |
| MODEL NO. 910(MOD) | | REV D | DATE 107942 | TYPE A |
| NEET APPR | | SCALE | DO NOT SCALE DRAWING | ENGR |

| REVISIONS | | | |
|-----------|-------------|----------|-------|
| REV | DESCRIPTION | CHK DATE | APP'D |
| A | REL TO MFG | | |

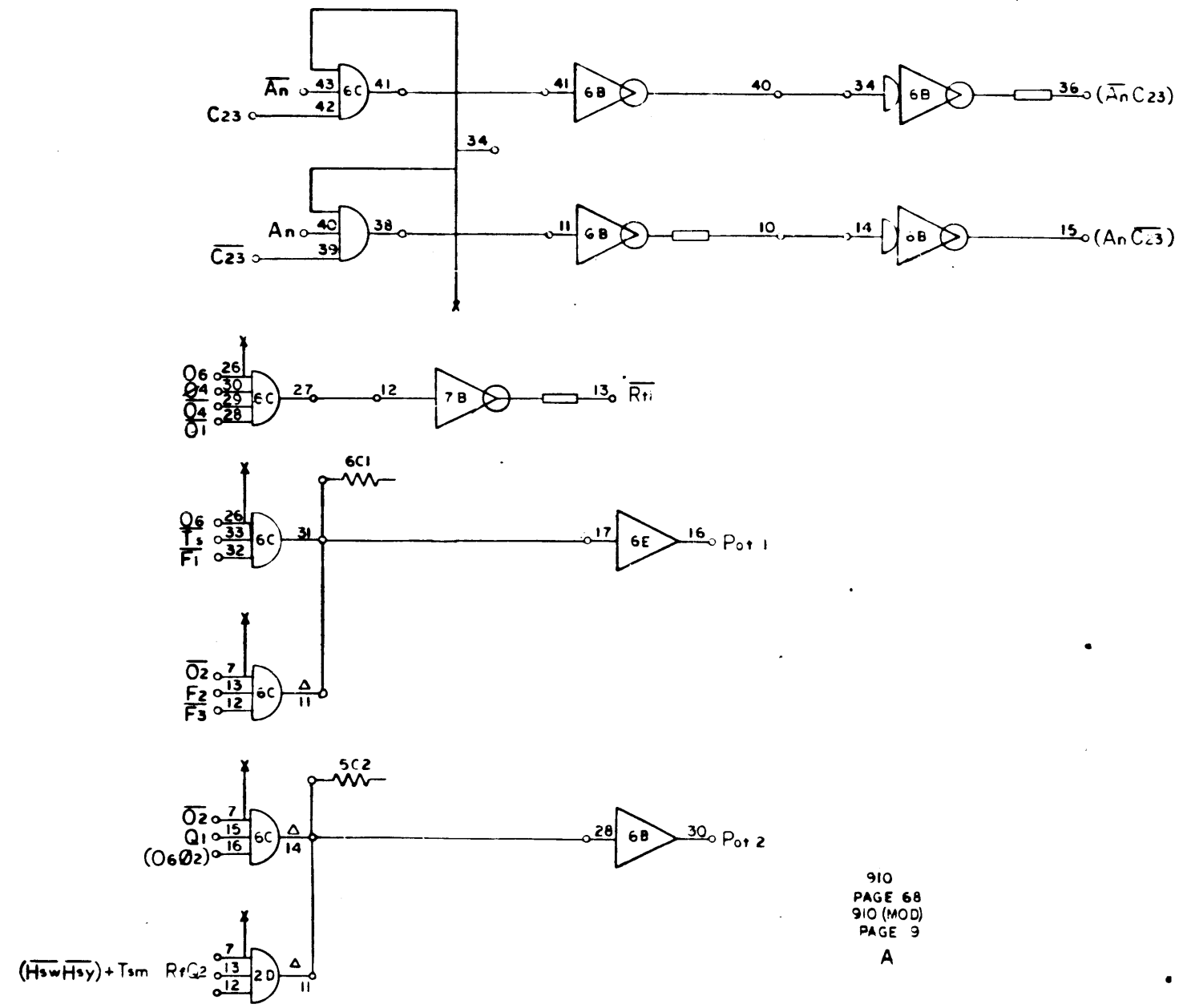


913
PAGE 67
910 (MOD)
PAGE 8
A

107942/A

| NO | DRAWING NO | DESCRIPTION | REFERENCE DESIGNATION | REV |
|---|------------|---|--|-----|
| MATERIAL LIST | | | | |
| SDS SEMICONDUCTOR LOGIC SYSTEMS | | | | |
| 100 PATENT OFFICE SANTA MONICA CALIFORNIA | | | | |
| NOTES UNLESS SPECIFIED: 1. TOLERANCES: DIM 1-100 1/100" DIM 1-10 1/10" DIM 1-1 1/100" 2. UNLESS ALL DIMENSIONS ARE APPROX. 3. DIMENSIONS IN PARENTHESES 4. ALL DIM. TO CENTER | | CHECKED: [Signature] DATE: 11/10/66 APPR: [Signature] DATE: 11/10/66 | TITLE: DIAGRAM LOGIC, COMPUTER MCD | |
| MODEL NO. 90MCD | | REV. D | DWG NO. 107942 | A |
| SCALE: [Blank] | | SHEET: [Blank] | | |

| REVISIONS | | | |
|-----------|-----------------|-----|------|
| REV | DESCRIPTION | CHG | DATE |
| A | RELEASED TO MFG | | |



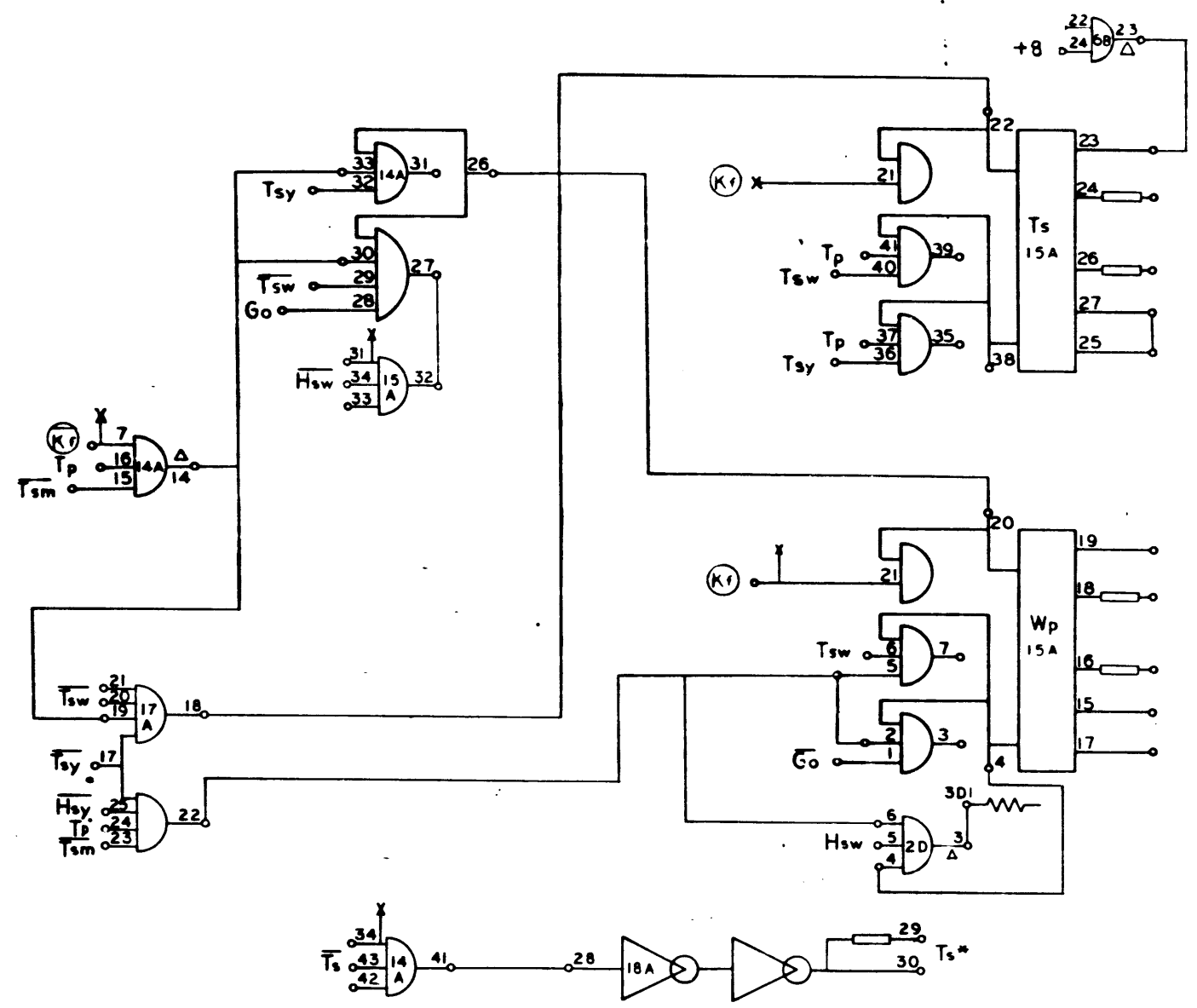
260

910
PAGE 68
910 (MOD)
PAGE 9
A

107942/A

| REV | DRAWING NO. | DESCRIPTION | REFERENCE DESIGNATION | DATE |
|--|-------------|---|-----------------------|------|
| | | | | |
| MATERIAL LIST | | | | |
| SDS SCIENTIFIC DATA SYSTEMS 1500 FIFTEENTH STREET, SANTA MONICA, CALIFORNIA | | | | |
| NOTES UNLESS SPECIFIED: 1. DIMENSIONS IN PARENTHESES ARE APPROXIMATE. 2. BREAK ALL SHARP EDGES AND SPICES. 3. HATCH SURFACES. 4. ALL DIM. IN INCHES. | | | | |
| MODEL NO. 910(MOD) | | TITLE DIAGRAM, LOGIC COMPUTER MOD | | |
| DRAWN CHECKED APPR. | | LEE D 107942 | | |
| REVISED BY | | SHEET A | | |
| SCALE | | DO NOT SCALE DRAWING | | |

| REV | DESCRIPTION | DATE | APPROVAL |
|-----|-------------|------|----------|
| A | REL TO MFG | | |

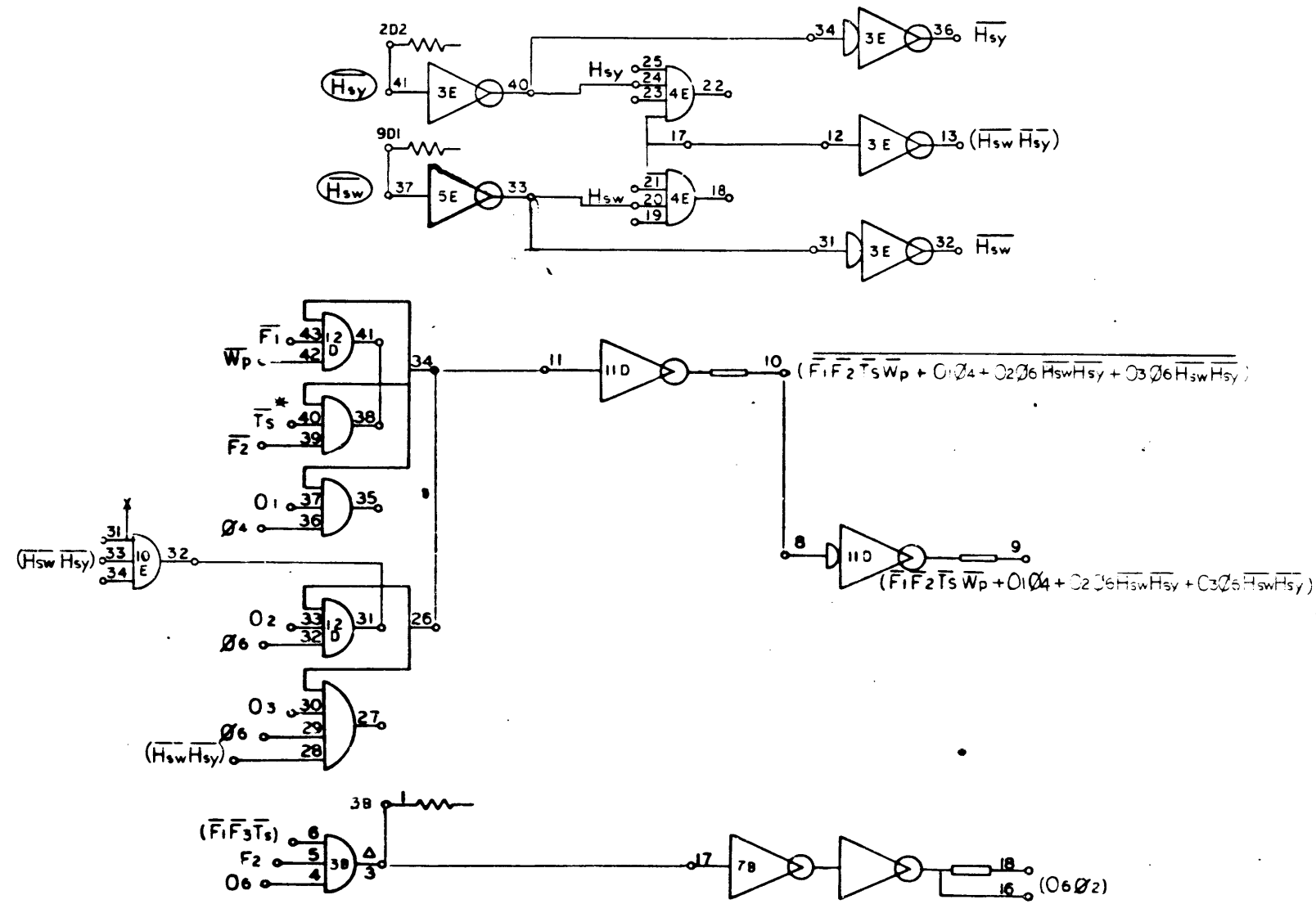


910
PAGE 70
910 (MOD)
PAGE 10
A

107942 A

| REV | DRAWING NO | DESCRIPTION | REFERENCE DESIGNATION | DATE | |
|--|------------|---|---|----------------------|------------------------------|
| | | | | | |
| MATERIAL LIST | | | | | |
| NOTES UNLESS SPECIFIED: 1. TOLERANCES: ANGULAR .01" DIA .001" DIA 2. DIMENSIONS TO CENTER UNLESS OTHERWISE SPECIFIED 3. DIMENSIONS TO SURFACE UNLESS OTHERWISE SPECIFIED 4. ALL DIMENSIONS IN INCHES | | CHECKED: [Signature] APPROVED: [Signature] | SDS SCIENTIFIC DATA SYSTEMS 1500 FIFTEENTH STREET SANTA MONICA CALIFORNIA | | |
| TITLE DIAGRAM, LOGIC, COMPUTER MOD | | | MODEL NO. 910(MCD) | REV. NO. D | DRAWING NO. 107942 |
| NEXT APPY | | | SCALE | DO NOT SCALE DRAWING | SHEET |

262



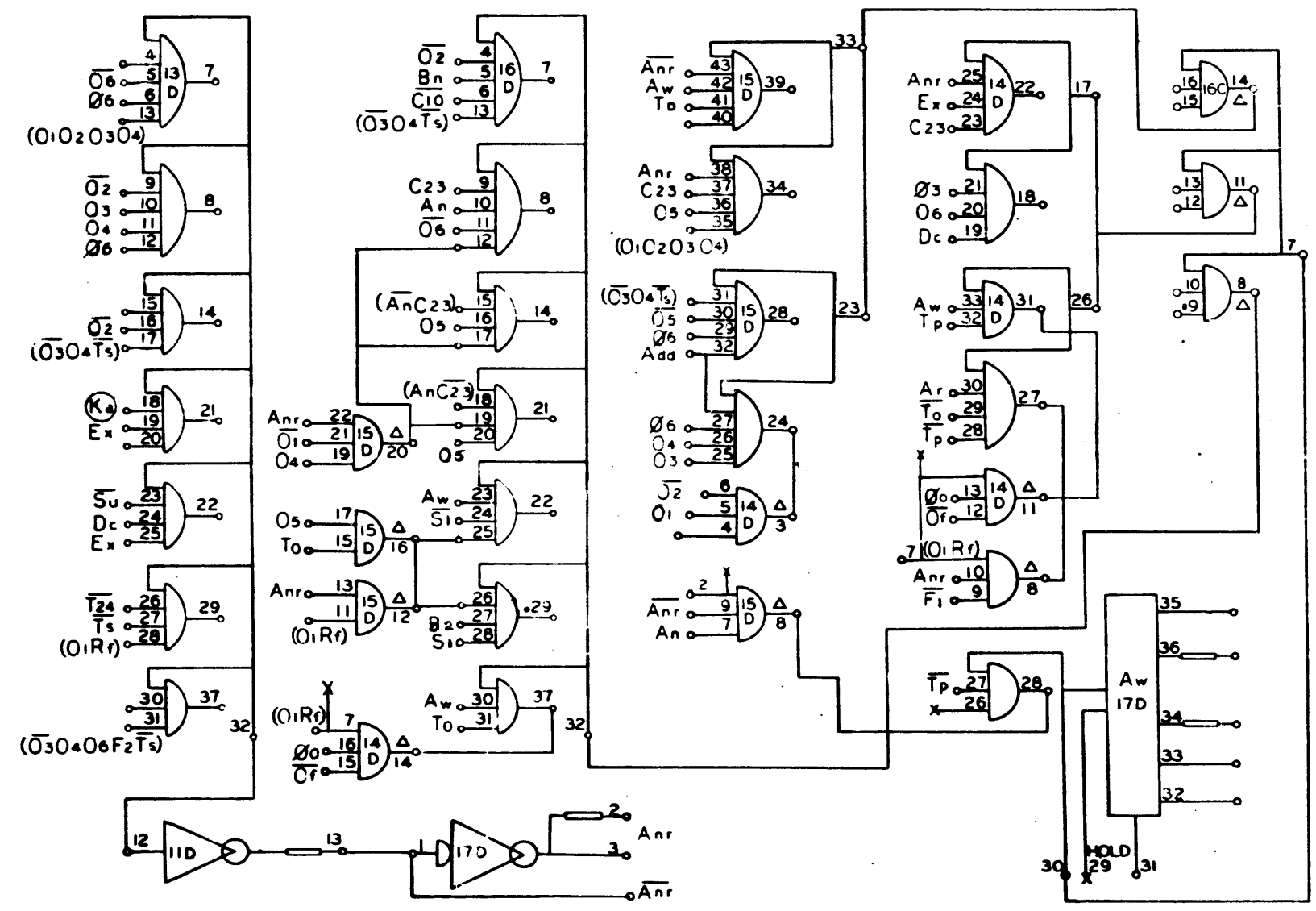
| REVISIONS | | | |
|-----------|-------------|-----|------|
| REV | DESCRIPTION | CHK | DATE |
| A | REL TO MFG | | |

910
PAGE 71
910 (MOD)
PAGE 11
A

| REV | DRAWING NO. | DESCRIPTION | REFERENCE DESIGNATION | ITER |
|---|-------------|-------------|------------------------------|--------|
| | | | | |
| NOTES UNLESS SPECIFIED | | | | |
| 1. TOLERANCES UNLESS OTHERWISE SPECIFIED ARE: ANGULAR ± 15° | | DRAWN | | |
| 2. BREAK ALL SHARP CORNERS AND SPACED | | CHKD | | |
| 3. HATCH SUPPLIED | | APPR | | |
| 4. ALL DIM. IN INCHES | | | | |
| SDS DESIGNING DATA SYSTEMS 1942 FIFTH AVENUE, SUITE 200, NEW YORK, CALIFORNIA | | | | |
| TITLE | | | DIAGRAM, LOGIC, COMPUTER MOD | |
| MODEL NO. | 910 (MOD) | REV | D | 107942 |
| DATE | | ITER | | A |
| NEXT ASSY. | | SCALE | DO NOT SCALE DIMENSIONS | CHECK |

107942A

| REVISIONS | |
|-----------|-------------|
| REV | DESCRIPTION |
| A | REL TO MFG |



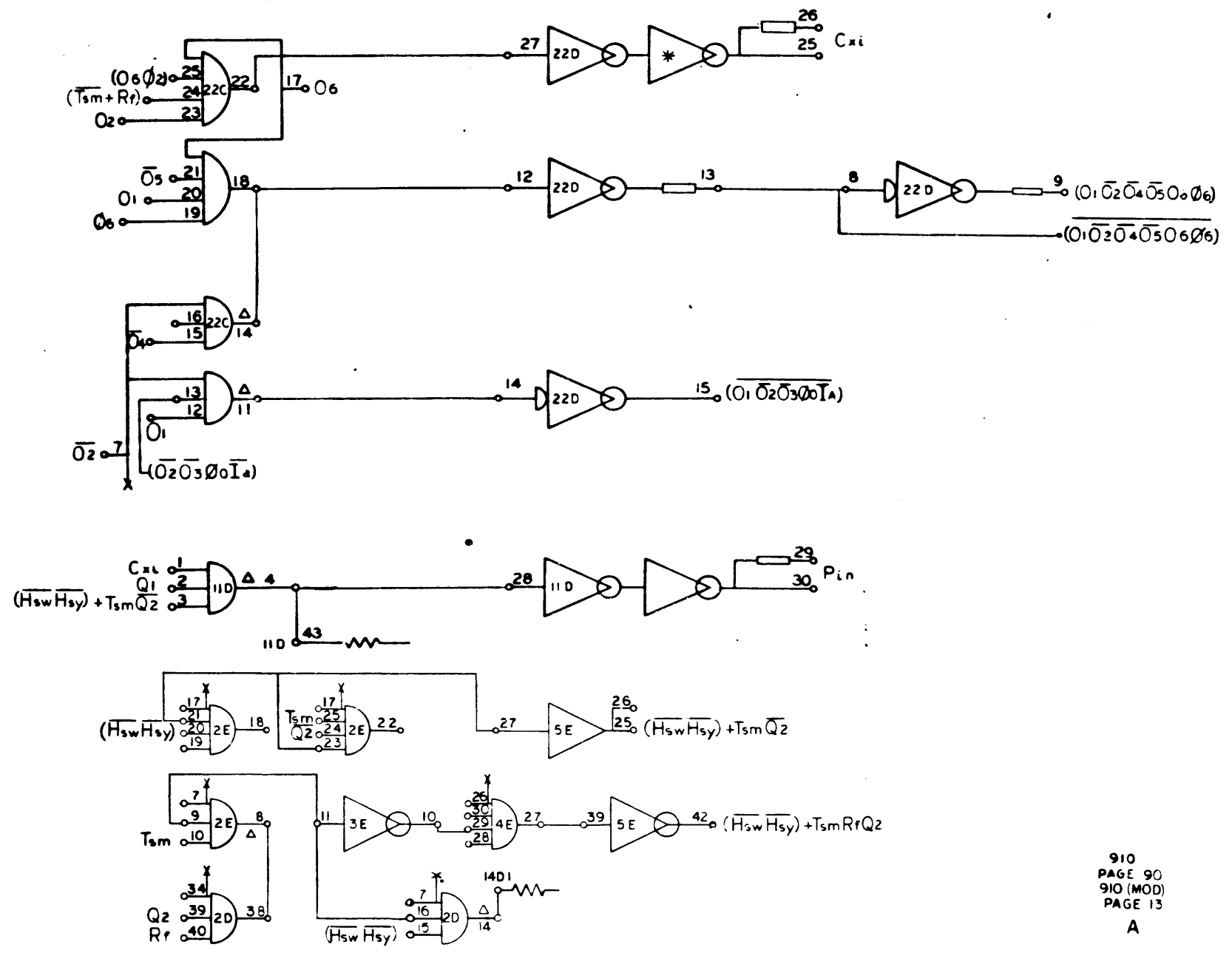
910
PAGE 84
910 (MOD)
PAGE 12
A

107942/A

| DWG NO. | DRAWING NO. | DESCRIPTION | REFERENCE DESIGNATION | REV |
|--|-------------|--|-----------------------|-----|
| | | | | |
| NOTES UNLESS SPECIFIED | | MATERIAL LIST | | |
| 1. UNLESS OTHERWISE SPECIFIED, ALL DIMENSIONS ARE IN INCHES. 2. DIMENSIONS ARE TO CENTER UNLESS OTHERWISE SPECIFIED. 3. DIMENSIONS ARE TO CENTER UNLESS OTHERWISE SPECIFIED. 4. ALL DIM IN INCHES | | SDS SCIENTIFIC DATA SYSTEMS 180 FIFTEENTH STREET, SANTA MONICA, CALIFORNIA | | |
| MODEL NO. 910 (MOD) | | DIAGRAM, LOGIC, COMPUTER MOD | | |
| REV. NO. D | | DWG NO. 107942 | | |
| DATE 12/22/62 | | SCALE AS SHOWN | | |

264

| REV | | DESCRIPTION | | REVISIONS | | DATE | APPROVED |
|-----|--|-------------|--|-----------|--|------|----------|
| A | | REL TO MFG | | | | | |



910
PAGE 90
910 (MOD)
PAGE 13
A

107942A

| DWG. NO. | DRAWING NO. | DESCRIPTION | REFERENCE DESIGNATION | FORM NO. |
|--|---------------|-------------|---|----------|
| | | | | |
| NOTES UNLESS SPECIFIED | | | | |
| 1. TOLERANCES UNLESS SPECIFIED | 2. DIMENSIONS | 3. CHECK | MATERIAL LIST | |
| AS - .000 | ANGULAR | APPROV. | SDS ELECTRONIC DATA SYSTEMS | |
| AS - .010 | 2 1/2" | | 1000 FIFTEENTH STREET, SAN JOSE, CALIFORNIA | |
| 4. BREAK ALL SHARP EDGES 0.10" MINIMUM | | | TITLE | |
| 5. HATCH SURFACES | | | DIAGRAM, LOGIC, COMPUTER | |
| 6. P.L. DIM. TO CENTER | | | 100 | |
| MODEL NO. | 910(NOD) | REV. | D | 107942 |
| NEXT ASSY. | | DATE | | A |
| | | SCALE | DO NOT SCALE DRAWING | SHEET |

| REVISIONS | | | |
|-----------|-------------|------|---------|
| REV | DESCRIPTION | DATE | APPROV. |
| A | REL TO MFG | | |

| LOC 14 | LOC 15 | LOC 16 | LOC 17 | LOC 18 | LOC 19 | LOC 20 | LOC 21 | LOC 22 | LOC 23 | LOC 24 | LOC 25 | LOC | |
|--------|--------|--------|--------|--------|--------|--------|--------|--------|--------|--------|--------|-----|------|
| PIN | PAGE | PIN | PAGE | PIN | PAGE | PIN | PAGE | PIN | PAGE | PIN | PAGE | PIN | PAGE |
| 1 | 90 | 1 | | 1 | 85 | 1 | 84 | 1 | 86 | 1 | 81 | 1 | 81 |
| 2 | | 2 | 41 | 2 | 85 | 2 | 84 | 2 | 86 | 2 | 81 | 2 | 81 |
| 3 | 84 | 3 | 41 | 3 | 85 | 3 | 84 | 3 | 86 | 3 | 81 | 3 | 81 |
| 4 | | 4 | 41 | 4 | 84 | 4 | 84 | 4 | 86 | 4 | 81 | 4 | 81 |
| 5 | | 5 | 41 | 5 | 84 | 5 | 84 | 5 | 86 | 5 | 81 | 5 | 81 |
| 6 | | 6 | | 6 | | 6 | | 6 | | 6 | | 6 | |
| 7 | | 7 | 84 | 7 | | 7 | | 7 | 86 | 7 | 48 | 7 | 7 |
| 8 | | 8 | 84 | 8 | | 8 | | 8 | 86 | 8 | 59 | 8 | 8 |
| 9 | | 9 | 84 | 9 | | 9 | | 9 | 86 | 9 | 59 | 9 | 9 |
| 10 | | 10 | | 10 | | 10 | | 10 | 92 | 10 | 92 | 10 | 10 |
| 11 | | 11 | 84 | 11 | | 11 | | 11 | 92 | 11 | 92 | 11 | 11 |
| 12 | | 12 | 84 | 12 | | 12 | | 12 | 92 | 12 | 92 | 12 | 12 |
| 13 | | 13 | 84 | 13 | | 13 | 86 | 13 | 48 | 13 | 48 | 13 | 13 |
| 14 | | 14 | | 14 | | 14 | | 14 | 48 | 14 | 48 | 14 | 14 |
| 15 | | 15 | 84 | 15 | | 15 | 91 | 15 | 48,59 | 15 | 48,59 | 15 | 15 |
| 16 | | 16 | 84 | 16 | | 16 | 85 | 16 | 81 | 16 | 81 | 16 | 16 |
| 17 | | 17 | 84 | 17 | | 17 | | 17 | 81 | 17 | 81 | 17 | 17 |
| 18 | | 18 | | 18 | | 18 | | 18 | 48 | 18 | 48 | 18 | 18 |
| 19 | | 19 | 84 | 19 | | 19 | | 19 | 49 | 19 | 49 | 19 | 19 |
| 20 | | 20 | | 20 | | 20 | | 20 | 49 | 20 | 49 | 20 | 20 |
| 21 | | 21 | | 21 | | 21 | | 21 | 49 | 21 | 49 | 21 | 21 |
| 22 | | 22 | | 22 | | 22 | | 22 | 91 | 22 | 91 | 22 | 22 |
| 23 | | 23 | | 23 | | 23 | | 23 | 91 | 23 | 91 | 23 | 23 |
| 24 | | 24 | | 24 | | 24 | | 24 | 91 | 24 | 91 | 24 | 24 |
| 25 | | 25 | | 25 | 85 | 25 | | 25 | 90 | 25 | 90 | 25 | 25 |
| 26 | | 26 | | 26 | 84,85 | 26 | | 26 | 90 | 26 | 90 | 26 | 26 |
| 27 | | 27 | | 27 | 84 | 27 | | 27 | 90 | 27 | 90 | 27 | 27 |
| 28 | | 28 | | 28 | 84 | 28 | | 28 | 91 | 28 | 91 | 28 | 28 |
| 29 | | 29 | | 29 | 84,86 | 29 | | 29 | 91 | 29 | 91 | 29 | 29 |
| 30 | | 30 | | 30 | 84 | 30 | | 30 | 91 | 30 | 91 | 30 | 30 |
| 31 | | 31 | | 31 | | 31 | | 31 | 91 | 31 | 91 | 31 | 31 |
| 32 | | 32 | 84 | 32 | | 32 | 81 | 32 | 81 | 32 | 81 | 32 | 32 |
| 33 | 84 | 33 | | 33 | | 33 | | 33 | 81 | 33 | 81 | 33 | 33 |
| 34 | 43,57 | 34 | | 34 | | 34 | | 34 | 49 | 34 | 49 | 34 | 34 |
| 35 | 43 | 35 | | 35 | | 35 | | 35 | 91 | 35 | 91 | 35 | 35 |
| 36 | 43 | 36 | | 36 | 84 | 36 | 86 | 36 | 81 | 36 | 81 | 36 | 36 |
| 37 | 43 | 37 | 84 | 37 | 97 | 37 | 48 | 37 | 86 | 37 | 86 | 37 | 37 |
| 38 | 57 | 38 | | 38 | | 38 | | 38 | 91 | 38 | 91 | 38 | 38 |
| 39 | 57 | 39 | | 39 | 85 | 39 | | 39 | 81 | 39 | 81 | 39 | 39 |
| 40 | 57 | 40 | | 40 | 85 | 40 | | 40 | 81 | 40 | 81 | 40 | 40 |
| 41 | 73 | 41 | | 41 | | 41 | 97 | 41 | 48 | 41 | 86 | 41 | 41 |
| 42 | 73 | 42 | | 42 | | 42 | | 42 | 81 | 42 | 81 | 42 | 42 |
| 43 | 73 | 43 | 84 | 43 | | 43 | | 43 | | 43 | | 43 | 43 |
| 44 | | 44 | | 44 | | 44 | | 44 | | 44 | | 44 | 44 |
| 45 | | 45 | | 45 | | 45 | | 45 | | 45 | | 45 | 45 |
| 46 | | 46 | | 46 | | 46 | | 46 | | 46 | | 46 | 46 |
| 47 | | 47 | | 47 | | 47 | | 47 | | 47 | | 47 | 47 |

270

D

910
Page 110
910 (MOD)
PAGE 19
A

| REV | BUILDING NO. | DESCRIPTION | REFERENCE DESIGNATION | DATE | SHEET NO. |
|------------------------|-----------------------|---|------------------------------|------|-----------|
| | | | | | |
| NOTES UNLESS SPECIFIED | | | | | |
| 1 | TOLERANCES | AS SHOWN | | | |
| 2 | UNLESS SPECIFIED | ANGULAR | | | |
| 3 | EDGES | SHARP | | | |
| 4 | RADIUS | R1 | | | |
| MATERIAL LIST | | | | | |
| DRAWN | | CHECKED | SDS SCIENTIFIC DATA SYSTEMS | | |
| APPROVED | | 1545 FIFTEENTH STREET, SANTA MONICA, CALIFORNIA | | | |
| TITLE | | | DIAGRAM, LOGIC, COMPUTER MOD | | |
| MODEL NO. | 910 (MOD) | DATE | 10-9-62 | A | |
| SCALE | DO NOT SCALE DRAWINGS | | | | SHEET |

107942 A

| REVISIONS | | | |
|-----------|-------------|-----|------|
| REV | DESCRIPTION | CHK | DATE |
| A | REL TO MFG | | |

| LOC 1 | LOC 2 | LOC 3 | LOC 4 | LOC 5 | LOC 6 | LOC 7 | LOC 8 | LOC 9 | LOC 10 | LOC 11 | LOC 12 | LOC 13 | |
|-------|-------|-------|-------|-------|-------|-------|----------|-------|--------|--------|--------|--------|-------|
| PIN | PAGE | PIN | PAGE | PIN | PAGE | PIN | PAGE | PIN | PAGE | PIN | PAGE | PIN | PAGE |
| 1 | 1 | 1 | 67 | 1 | 40 | 1 | 32 | 1 | 18 | 1 | 26 | 1 | 37 |
| 2 | 2 | 2 | 40 | 2 | 2 | 2 | 2 | 2 | 26 | 2 | 2 | 2 | 21 |
| 3 | 3 | 3 | 3 | 3 | 3 | 3 | 3 | 3 | 3 | 3 | 3 | 3 | 3 |
| 4 | 4 | 4 | 4 | 4 | 4 | 4 | 4 | 4 | 4 | 4 | 4 | 4 | 4 |
| 5 | 5 | 5 | 5 | 5 | 5 | 5 | 5 | 5 | 26 | 5 | 5 | 5 | 21 |
| 6 | 6 | 6 | 67 | 6 | 6 | 6 | 6 | 6 | 6 | 6 | 6 | 6 | 6 |
| 7 | 7 | 7 | 62,99 | 7 | 40 | 7 | 32 | 7 | 18 | 7 | 26 | 7 | 21 |
| 8 | 8 | 8 | 62 | 8 | 8 | 8 | 33 | 8 | 43 | 8 | 8 | 8 | 21 |
| 9 | 9 | 9 | 62 | 9 | 9 | 9 | 33 | 9 | 48 | 9 | 9 | 9 | 21 |
| 10 | 10 | 10 | 90 | 10 | 10 | 10 | 30 | 10 | 48 | 10 | 10 | 10 | 21 |
| 11 | 11 | 11 | 62 | 11 | 11 | 11 | 30 | 11 | 43 | 11 | 11 | 11 | 25,21 |
| 12 | 12 | 12 | 71 | 12 | 12 | 12 | 50 | 12 | 19 | 12 | 12 | 12 | 21 |
| 13 | 13 | 13 | 71 | 13 | 13 | 13 | 50 | 13 | 19 | 13 | 13 | 13 | 21 |
| 14 | 14 | 14 | 67 | 14 | 14 | 14 | 21 | 14 | 33 | 14 | 14 | 14 | 21 |
| 15 | 15 | 15 | 67 | 15 | 15 | 15 | 21 | 15 | 33 | 15 | 15 | 15 | 21 |
| 16 | 16 | 16 | 62 | 16 | 16 | 16 | 40 | 16 | 59 | 16 | 16 | 16 | 21 |
| 17 | 17 | 17 | 90 | 17 | 17 | 17 | 71 | 17 | 68 | 17 | 17 | 17 | 21 |
| 18 | 18 | 18 | 67 | 18 | 18 | 18 | 18 | 18 | 18 | 18 | 18 | 18 | 22 |
| 19 | 19 | 19 | 62 | 19 | 19 | 19 | 40 | 19 | 39 | 19 | 19 | 19 | 21 |
| 20 | 20 | 20 | 20 | 20 | 20 | 20 | 40 | 20 | 20 | 20 | 20 | 20 | 21 |
| 21 | 21 | 21 | 62 | 21 | 21 | 21 | 21 | 21 | 21 | 21 | 21 | 21 | 21 |
| 22 | 22 | 22 | 67 | 22 | 22 | 22 | 30 | 22 | 60 | 22 | 22 | 22 | 22 |
| 23 | 23 | 23 | 67 | 23 | 23 | 23 | 60 | 23 | 60 | 23 | 23 | 23 | 21 |
| 24 | 24 | 24 | 67 | 24 | 24 | 24 | 60 | 24 | 24 | 24 | 24 | 24 | 24 |
| 25 | 25 | 25 | 90 | 25 | 25 | 25 | 71 | 25 | 90 | 25 | 25 | 25 | 25 |
| 26 | 26 | 26 | 67 | 26 | 26 | 26 | 40,90 | 26 | 90 | 26 | 26 | 26 | 26 |
| 27 | 27 | 27 | 67 | 27 | 27 | 27 | 90 | 27 | 30 | 27 | 27 | 27 | 21 |
| 28 | 28 | 28 | 28 | 28 | 28 | 28 | 50 | 28 | 60 | 28 | 28 | 28 | 25 |
| 29 | 29 | 29 | 29 | 29 | 29 | 29 | 50 | 29 | 29 | 29 | 29 | 29 | 29 |
| 30 | 30 | 30 | 30 | 30 | 30 | 30 | 50 | 30 | 30 | 30 | 30 | 30 | 30 |
| 31 | 31 | 31 | 71 | 31 | 31 | 31 | 77 | 31 | 33 | 31 | 31 | 31 | 22,49 |
| 32 | 32 | 32 | 71 | 32 | 32 | 32 | 40 | 32 | 77 | 32 | 32 | 32 | 49 |
| 33 | 33 | 33 | 67 | 33 | 33 | 33 | 40 | 33 | 97 | 33 | 33 | 33 | 32 |
| 34 | 34 | 34 | 71 | 34 | 34 | 34 | 50,60,71 | 34 | 77 | 34 | 33 | 34 | 33 |
| 35 | 35 | 35 | 67 | 35 | 35 | 35 | 50 | 35 | 26 | 35 | 33 | 35 | 18 |
| 36 | 36 | 36 | 71 | 36 | 36 | 36 | 77 | 36 | 33 | 36 | 36 | 36 | 26 |
| 37 | 37 | 37 | 67 | 37 | 37 | 37 | 71 | 37 | 97 | 37 | 37 | 37 | 35 |
| 38 | 38 | 38 | 67 | 38 | 38 | 38 | 60 | 38 | 26 | 38 | 33 | 38 | 36 |
| 39 | 39 | 39 | 40 | 39 | 39 | 39 | 90 | 39 | 39 | 39 | 39 | 39 | 37 |
| 40 | 40 | 40 | 71 | 40 | 40 | 40 | 51 | 40 | 40 | 40 | 40 | 40 | 38 |
| 41 | 41 | 41 | 71 | 41 | 41 | 41 | 59 | 41 | 51 | 41 | 41 | 41 | 26 |
| 42 | 42 | 42 | 40 | 42 | 42 | 42 | 90 | 42 | 33 | 42 | 42 | 42 | 41 |
| 43 | 43 | 43 | 67 | 43 | 43 | 43 | 30 | 43 | 32 | 43 | 43 | 43 | 31 |
| 44 | 44 | 44 | 44 | 44 | 44 | 44 | 44 | 44 | 44 | 44 | 44 | 44 | 21 |
| 45 | 45 | 45 | 45 | 45 | 45 | 45 | 45 | 45 | 45 | 45 | 45 | 45 | 44 |
| 46 | 46 | 46 | 46 | 46 | 46 | 46 | 46 | 46 | 46 | 46 | 46 | 46 | 45 |
| 47 | 47 | 47 | 47 | 47 | 47 | 47 | 47 | 47 | 47 | 47 | 47 | 47 | 46 |

E

107942A

910
Page III
910 (MOD)
PAGE 20
A

| REV | DESCRIPTION | CHK | DATE | APPROV |
|-----|-------------|-----|------|--------|
| A | REL TO MFG | | | |

| REV | DESCRIPTION | CHK | DATE | APPROV |
|-----|-------------|-----|------|--------|
| A | REL TO MFG | | | |

| NO | DRAWING NO. | DESCRIPTION | REFERENCE ORIENTATION | ITEM NO. |
|--|-------------|-------------|-----------------------|----------|
| MATERIAL LIST | | | | |
| 1. TELETYPE 2. 1000 3. 1000 4. 1000 5. 1000 | | | | |
| SDS CREDITORS DATA SYSTEMS 1000 FORTY-FIFTH STREET, SANTA MONICA, CALIFORNIA | | | | |
| MODEL NO. 910 (MOD) | | | | |
| TITLE DIAGRAM, LOGIC, COMPUTER MOD | | | | |
| REV. DATE NO. D 107942 | | | | |
| SCALE DO NOT SCALE DRAWING | | | | |

| REVISIONS | | | |
|-----------|-------------|-----|------|
| REV | DESCRIPTION | CHK | DATE |
| A | REL TO MFG | | |

910 MODULE LOCATION CHART

| | 1 | 2 | 3 | 4 | 5 | 6 | 7 | 8 | 9 | 10 | 11 | 12 | 13 | 14 | 15 | 16 | 17 | 18 | 19 | 20 | 21 | 22 | 23 | 24 | 25 | |
|---|--------------------|--------------------|--------------------|---------|---------|----------------------|----------|----------|----------|----------|----------------|---------|-----------------------|--------------------------|----------|-----------------|-----------------------|-------------------|-------------|----------------|------|------|------|-----------------------|---------------------------|------------------|
| A | | | Go | | P1 | P3 | P5 | P7 | P9 | P11 | P13 | | EX | | T8 | T10 | | | S1 | S3 | S5 | S7 | S9 | S11 | S13 | |
| | | | FK52 | GK52 | FK51 | FK51 | FK51 | FK51 | FK51 | FK51 | FK51 | FK51 | FK51 | FK51 | FK51 | FK51 | FK51 | FK51 | FK51 | FK51 | FK51 | FK51 | FK51 | FK51 | FK51 | |
| | | | MT | | P2 | P4 | P6 | P8 | P10 | P12 | P14 | | IA | | Wb | INT | | | S2 | S4 | S6 | S8 | S10 | S12 | S14 | |
| B | SW | | | | | | | | | | | | C0 | C2 | C4 | C6 | C8 | C10 | C12 | C14 | C16 | C18 | C20 | C22 | C24 | |
| | FK52 | GK52 | GK51 | GK51 | GK51 | IK51 | IK51 | GK51 | GK51 | GK52 | GK51 | FK51 | FK51 | FK51 | FK51 | FK51 | FK51 | FK51 | FK51 | FK51 | FK51 | FK51 | FK51 | GK51 | FK52 | |
| | | | | | | | | | | | | | C1 | C3 | C5 | C7 | C9 | C11 | C13 | C15 | C17 | C19 | C21 | C23 | CP | |
| C | | | SK | | | | Q1 | Q3 | Q5 | | | | F1 | F2 | | | | | O1 | O3 | O5 | | | | Y | |
| | CK54 | CK53 | FK52 | GK51 | GK51 | GK51 | FK52 | FK52 | FK52 | GK52 | IK51 | GK51 | FK52 | FK52 | GK52 | GK51 | GK51 | IK51 | FK52 | FK52 | FK52 | GK51 | GK51 | IK51 | PG | |
| | | | | | | | Q2 | Q4 | Q6 | | | | F3 | RF | | | | | O2 | O4 | O6 | | | | Y | |
| D | | | | P0 | | | IX | | | | | | AK | Bm | BR | | | | AK | AK | AK | AK | AK | AK | AK | |
| | GK51 | GK52 | GK52 | FK52 | GK52 | GK51 | FK52 | GK51 | GK52 | IK51 | GK51 | DK51 | GK51 | GK52 | DK51 | FK51 | FK51 | FK51 | DK51 | DK51 | IK51 | DK51 | DK51 | FK51 | FK51 | |
| | | | | OF | | | C2 | | | | | Am | SAW | SAW | SAW | | | AW | Am | BW | | | | Xw | | |
| E | | | | | | | W13 | W12 | | W11 | W10 | | W9 | W4 | W7 | | WF | | | | | | Wm | R1 | R2 | R3 |
| | GK51 | IK51 | GK51 | IK51 | IK51 | FK52 | FK52 | GK52 | FK52 | FK52 | GK52 | FK52 | FK52 | FK52 | FK52 | GK52 | FK52 | GK51 | IK51 | DK51 | DK51 | FK51 | FK52 | FK52 | FK52 | |
| | | | | | | | W14 | W6 | | W0 | Wn | | W6 | W5 | W8 | | Rp | | | | | | Ww | R6 | R5 | R4 |
| F | | | | | | | | | | | | | | | | | | | | | | | | | | |
| G | CONTROL PANEL 1 P1 | CONTROL PANEL 2 P2 | CONTROL PANEL 3 P3 | PAT P10 | EQM P10 | INTERRUPT LAMP 1 P10 | AUX 1 P6 | AUX 2 P6 | AUX 3 P6 | AUX 4 P6 | MAG TAPE 1 P14 | PIN P15 | PRIORITY INTERRUPT P8 | INTERRUPT LOGIC SK55 1+2 | SK55 3+4 | PHOTO READER P4 | PHOTO READER AMP HK54 | PHOTO READER 1K53 | READER RK51 | LOGIC LAMP P55 | SK56 | | | START STOP LIGHT 2K55 | AUTO START STOP Cntl. P12 | INTER LACE 2 P11 |

272

910
Page 113
910 (MOD)
PAGE 21
A

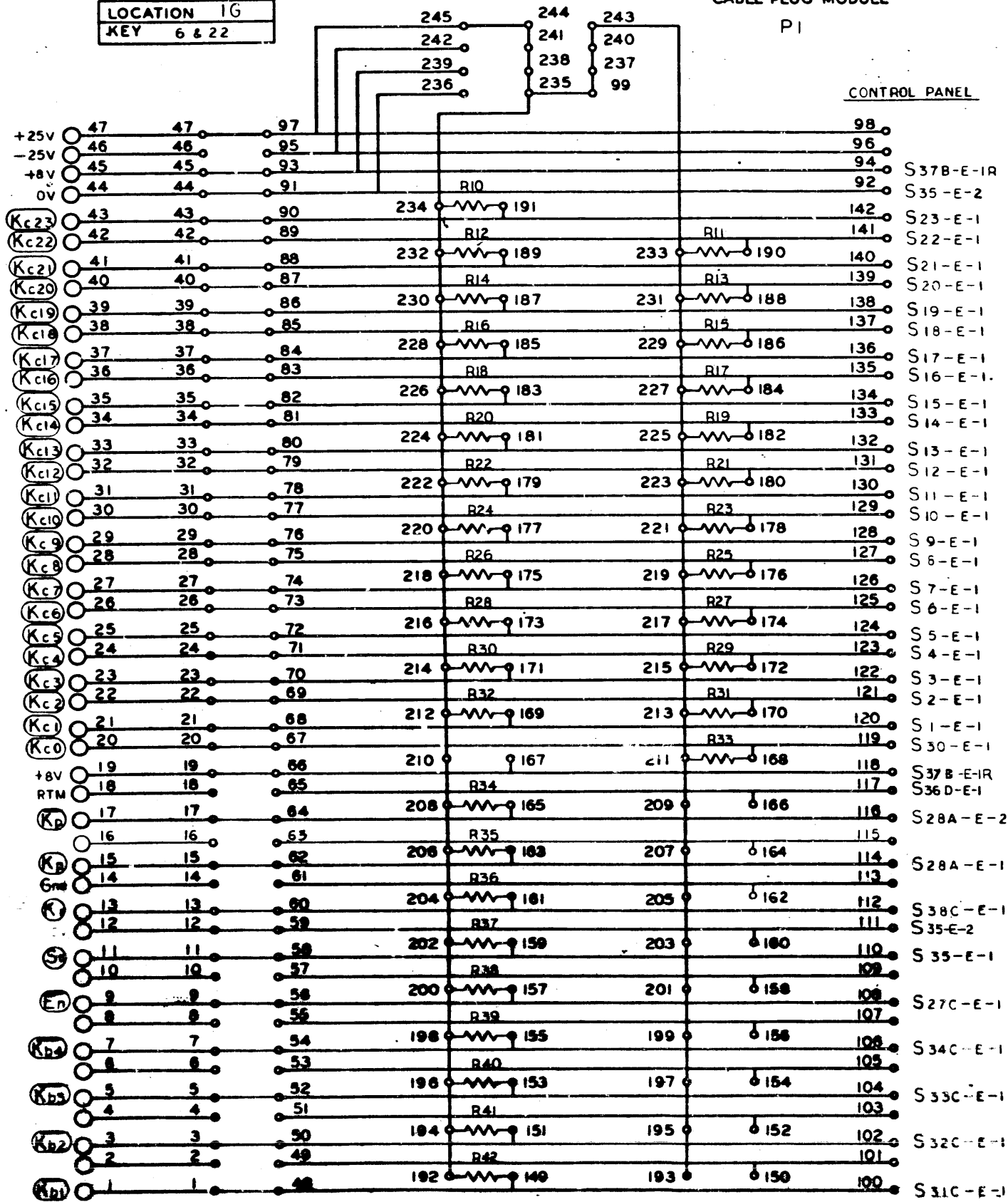
107942A

| DRAWING NO. | DESCRIPTION | REFERENCE DESIGNATION | REV |
|--|---------------|-----------------------|------------|
| | | | |
| MATERIAL LIST | | | |
| NOTED UNLESS SPECIFIED | | | |
| 1. TOLERANCES | 2. DIMENSIONS | 3. FINISH | 4. SURFACE |
| AS SHOWN | AS SHOWN | AS SHOWN | AS SHOWN |
| | | | |
| 1545 FIFTEENTH STREET SANTA MONICA, CALIFORNIA | | | |
| TITLE | | | |
| DIAGRAM, LOGIC, COMPUTER MOD | | | |
| MODEL NO. | DWG NO. | REV | DATE |
| 910(MOD) | D | 107942 | A |
| SCALE | | | |
| DO NOT SCALE DRAWING | | | |
| SHEET | | | |

LOCATION 1G
KEY 6 & 22

CABLE PLUG MODULE
PI

CONTROL PANEL



REFERENCE DESIGNATIONS ARE ABBREVIATED. PREFIX THE DESIGNATION WITH UNIT NUMBER OR ASSEMBLY DESIGNATION OR BOTH. (MIL. STD. 16B)

| REVISIONS | | | |
|-----------|---------------|------|----------|
| REV | DESCRIPTION | DATE | APPROVED |
| D | SEE REV. E.O. | | |
| E | SEE REV. E.O. | | |
| F | SEE REV. E.O. | | |
| G | SEE REV. E.O. | | |
| - | SEE REV. E.O. | | |

273

101157

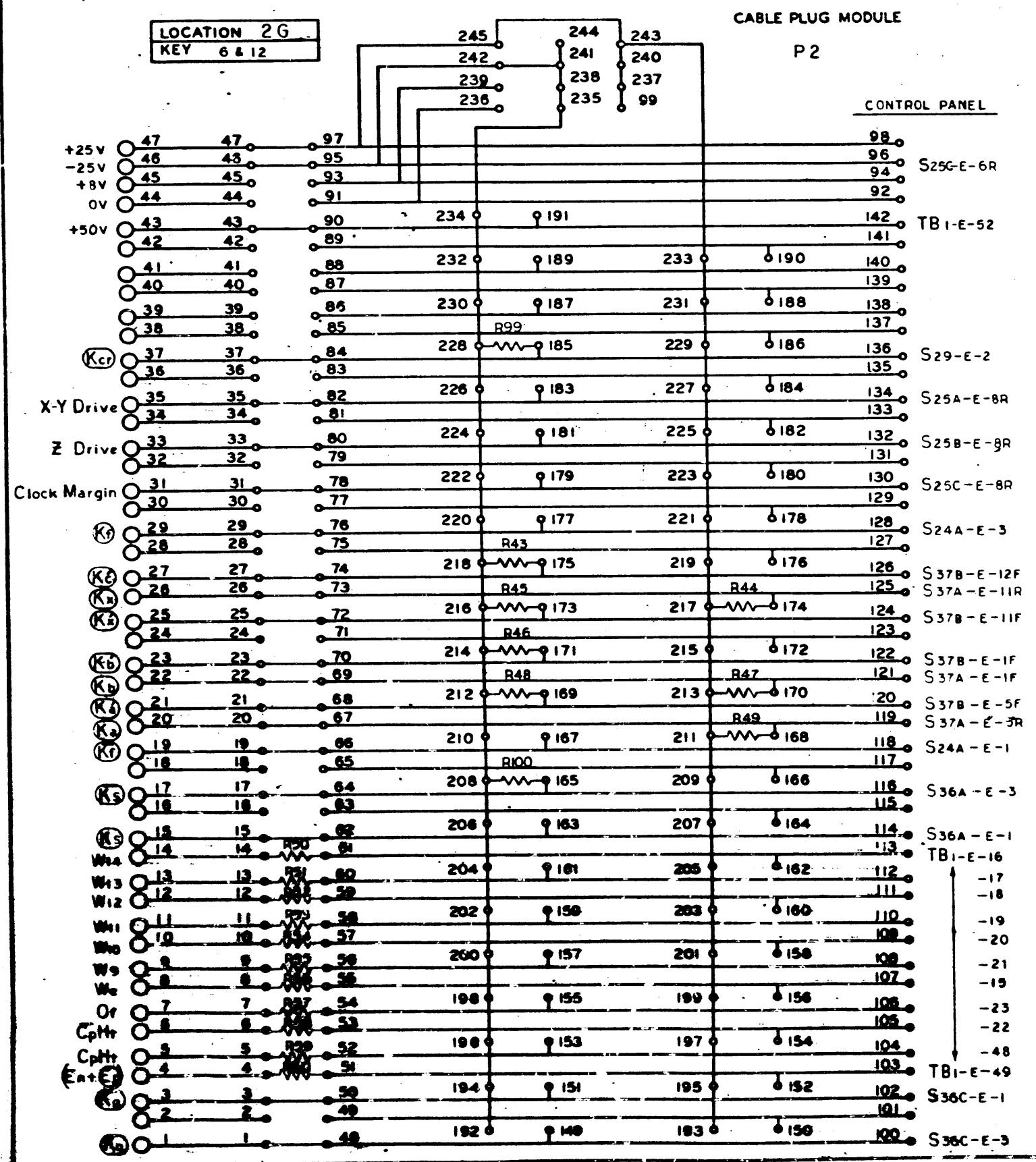
113

| DRAWING NO. | DESCRIPTION | REFERENCE DESIGNATION |
|-------------|-------------------------|-----------------------|
| 910, 920 | SCHMATIC, CONTROL PANEL | |
| 100946 | | |

| DATE | BY | CHKD | APPD | TITLE |
|---------|-----|------|------|-------------------------|
| 4-25-63 | DWH | | | SCHMATIC, CONTROL PANEL |

| REV | DATE | BY | CHKD |
|-----|------|----|------|
| D | | | |

| REVISIONS | | 01157 | 1 |
|-----------|--------------|-------|------|
| REV. | DESCRIPTION | CHK. | DATE |
| | SEE S-T. ONE | | |



| DESIGN NO. | DESCRIPTION | REFERENCE DESIGNATION | REV. |
|--------------------------|-------------|-----------------------|------|
| 910,920 | | | |
| 100946 | | | |
| SCHEMATIC, CONTROL PANEL | | | |
| 10157 | | | H |
| 2 OF 6 | | | |

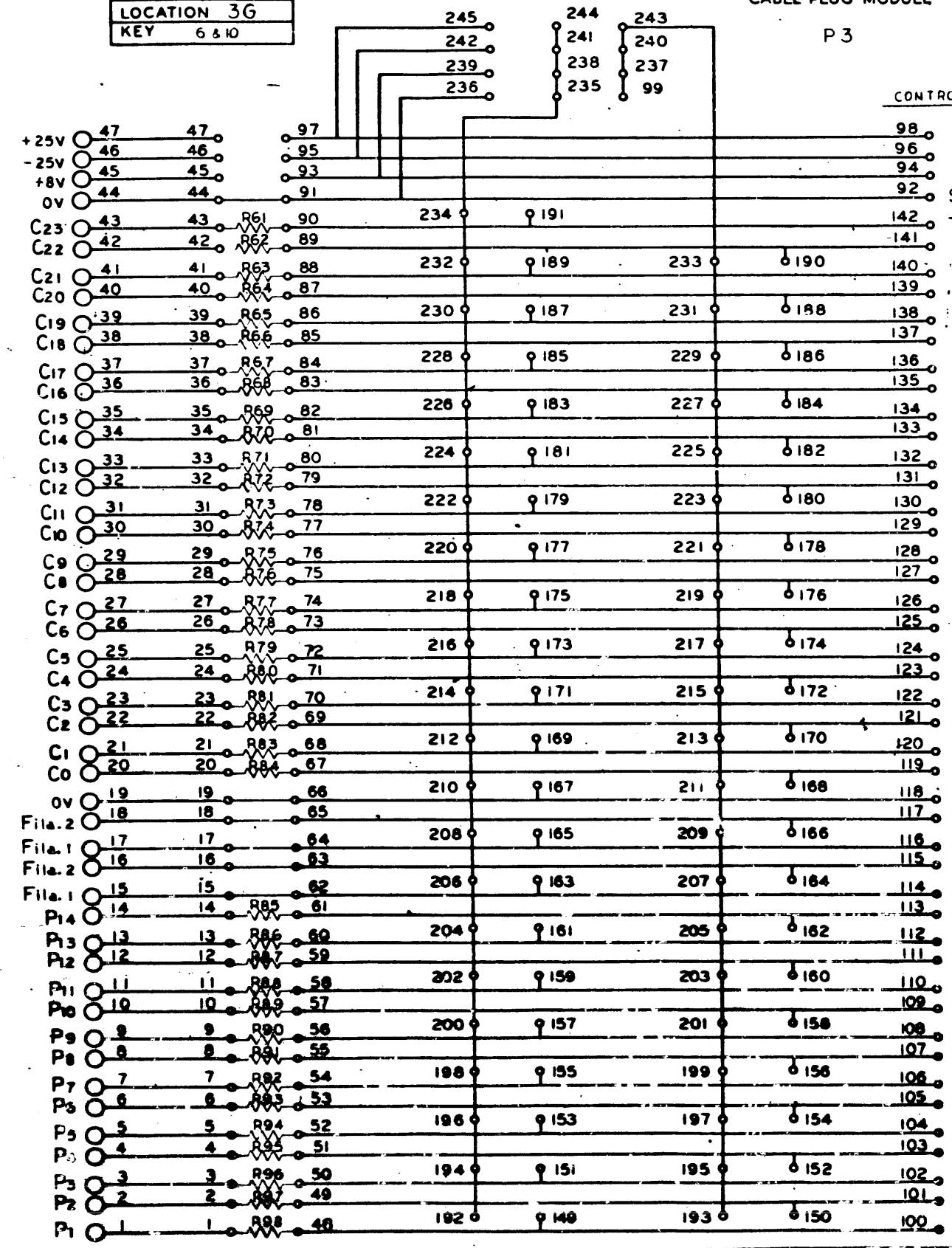
10157 11

| REVISIONS | | | |
|-----------|-------------|-----|------|
| REV | DESCRIPTION | CHK | DATE |
| | SEE SHT ONE | | |

LOCATION 3G
KEY 6 & 10

CABLE PLUG MODULE
P 3

CONTROL PANEL



275

101157

| REV | DESCRIPTION | DATE | BY | CHKD | DATE | BY |
|-----|-------------|------|----|------|------|----|
| | | | | | | |

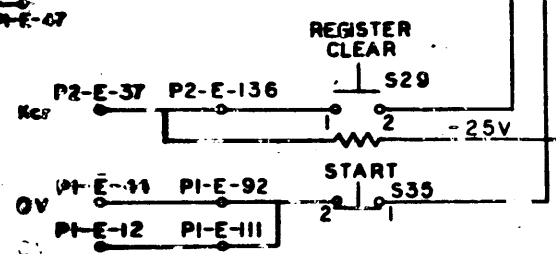
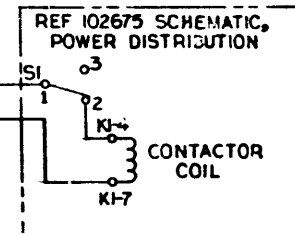
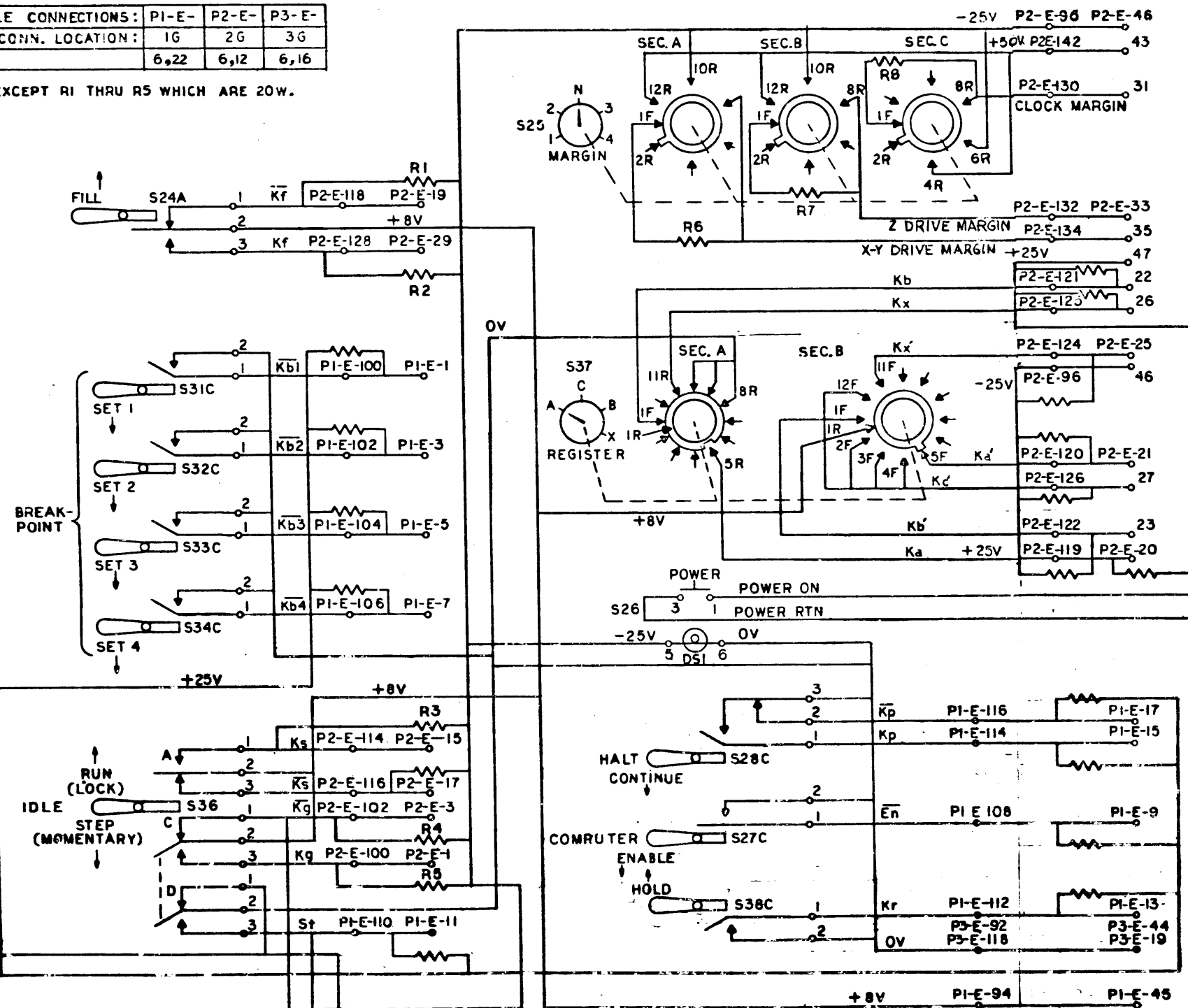
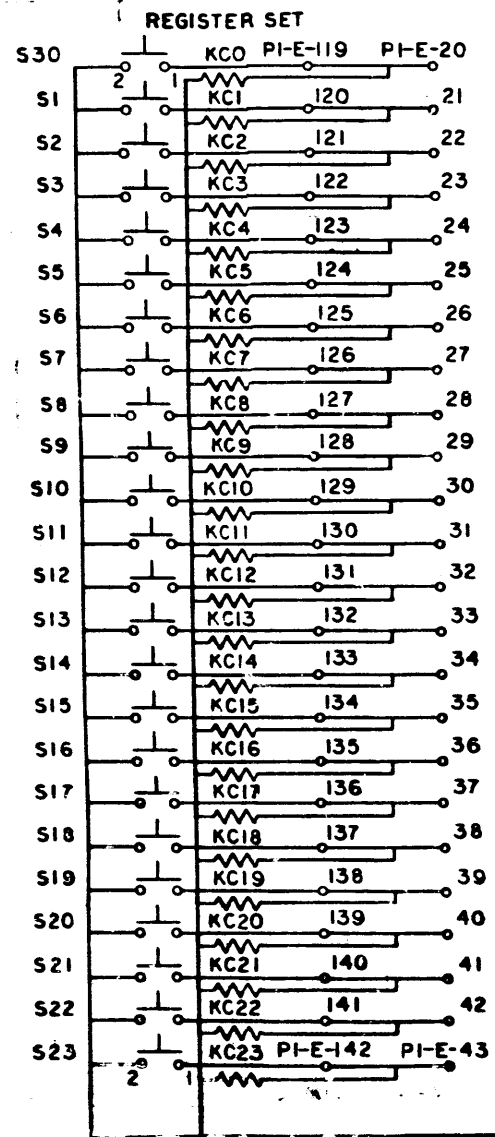
| DRAWING NO | | DESCRIPTION | | REFERENCE DESIGNATION | |
|------------|--|--------------------------|--|-----------------------|--|
| 910,920 | | SCHEMATIC, CONTROL PANEL | | 101157 | |
| 100946 | | | | H | |

| MATERIAL LIST | |
|---------------|-------------|
| QTY | DESCRIPTION |
| | |

NOTES:

| | | | |
|---------------------------------------|-------|-------|-------|
| 1. CABLE PLUG MODULE CONNECTIONS: | PI-E- | P2-E- | P3-E- |
| TERMINATE AT COMPUTER CONN. LOCATION: | 1G | 2G | 3G |
| KEY | 6,22 | 6,12 | 6,16 |

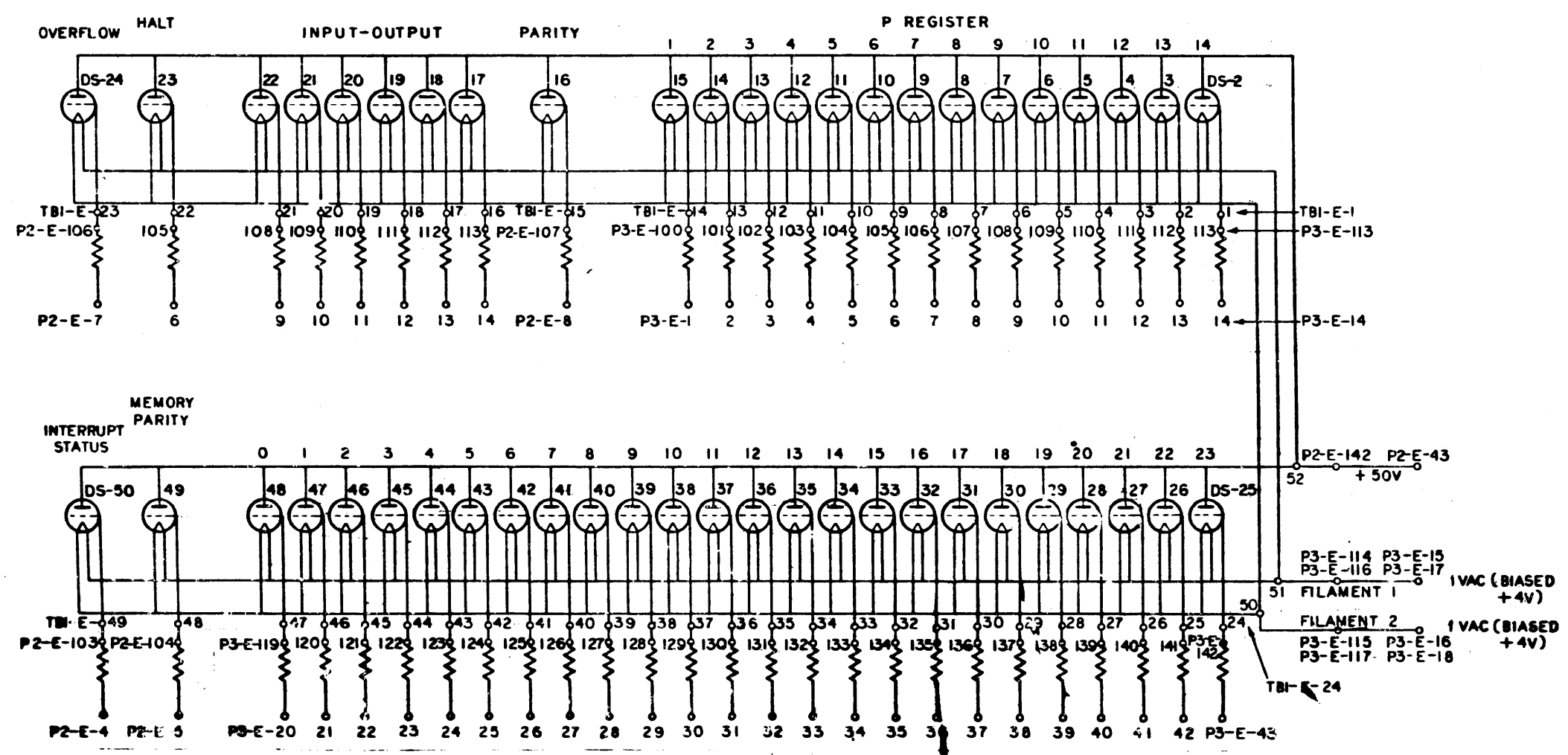
2. ALL RESISTORS ARE 1/2W ±2% EXCEPT R1 THRU R5 WHICH ARE 20W.



| | | |
|-------------|-------------------------|-----------------------|
| DRAWING NO. | DESCRIPTION | REFERENCE DESIGNATION |
| 910,920 | SCHEMATIC CONTROL PANEL | 101157 |
| 100946 | | 4 OF 6 |

| NO. | REVISIONS | DATE |
|-----|-------------|------|
| 1 | DESCRIPTION | |
| 2 | | |

NOTES:
1. ALL RESISTORS 100K Ω 1/2 WATT \pm 2%.



277

113

| NO. | REVISIONS | DESCRIPTION | REFERENCE DESIGNATION |
|---|-----------|--|-----------------------|
| 1 | 79-62 | | |
| SERIAL LIST | | | |
| 1. DRAWING APPROVED 2. CHECKED 3. DESIGNED 4. ALL DIMENSIONS 5. ALL MATERIALS | | SDG THE ELECTRONIC EQUIPMENT DIVISION TITLE SCHEMATIC CONTROL PANEL | |
| 910, 920 100946 | | U 101157 | H |
| 100946 | | 5 OF 5 | |

REPLACEMENT PARTS LIST

| ITEM | DESCRIPTION | DESIGNATION | QTY | SUPPLIER CODE (SEE INDEX) |
|------|-----------------------------------|---|-----|------------------------------|
| 1 | RESISTOR, W.W. 500Ω ± 5% | R1, R3 | 2 | 99, 100 |
| 2 | ↑ W.W. 250Ω ↓ | R2 | 1 | ↑ |
| 3 | W.W. 1K ↓ | R4 | 1 | ↓ |
| 4 | W.W. 1.5K ± 5% | R5 | 1 | 99, 100 |
| 5 | 27K ± 2% | R6 | 1 | 16, 17 |
| 6 | 1K ↑ | R7, R8 | 2 | ↑ |
| 7 | 56K | (P1) R10 THRU R42 (P2) R44, R47, R49 | 36 | ↑ |
| 8 | ↓ 1.8K ↓ | (P2) R43, R45, R46, R48 | 4 | ↓ |
| 9 | RESISTOR, 100K ± 2% | (P2) R50 THRU R60 (P3) R61 THRU R98 | 49 | 16, 17 |
| 10 | SWITCH, LEVER #101520 | S24 | 1 | SDS |
| 11 | ↑ #101266 ↓ | S27 | 1 | ↑ |
| 12 | #100934 | S28 | 1 | ↑ |
| 13 | ↓ #101521 ↓ | S36 | 1 | ↓ |
| 14 | SWITCH, LEVER #100933 | S31 THRU S34, S38 | 5 | ↑ |
| 15 | SWITCHLIGHT, RB. #100051 | S26 | 1 | ↓ |
| 16 | SWITCH, ROTARY, 5 POS. #101030 | S25 | 1 | ↓ |
| 17 | ↑ ROTARY, 4 POS. #101039 ↓ | S37 | 1 | SDS |
| 18 | ↓ PUSH BUTTON N.C. #30-2NC ↓ | S35 | 1 | 112 |
| 19 | SWITCH, PUSH BUTTON NO. #30-15 | S1 THRU S23, S29, S30 | 25 | ↑ |
| 20 | BUTTON, MOLDED #308102 (RED) | S29, S35 | 2 | ↓ |
| 21 | BUTTON, MOLDED #308102 (BLUE) | S1 THRU S23, S30 | 24 | 112 |
| 22 | INDICATOR, TRIODE #6977 | DS2 THRU DS50 | 49 | 85, 96 |
| 23 | RESISTOR, 3K ± 2% | (P2) R99, R100 | 2 | 16, 17 |
| 24 | RESISTER, 56Ω ± 2% | (P1) R101 | 1 | 16, 17 |
| 25 | CAPACITOR, .22 μF | (P1) C1 | 1 | 74, 26, 27 |

278

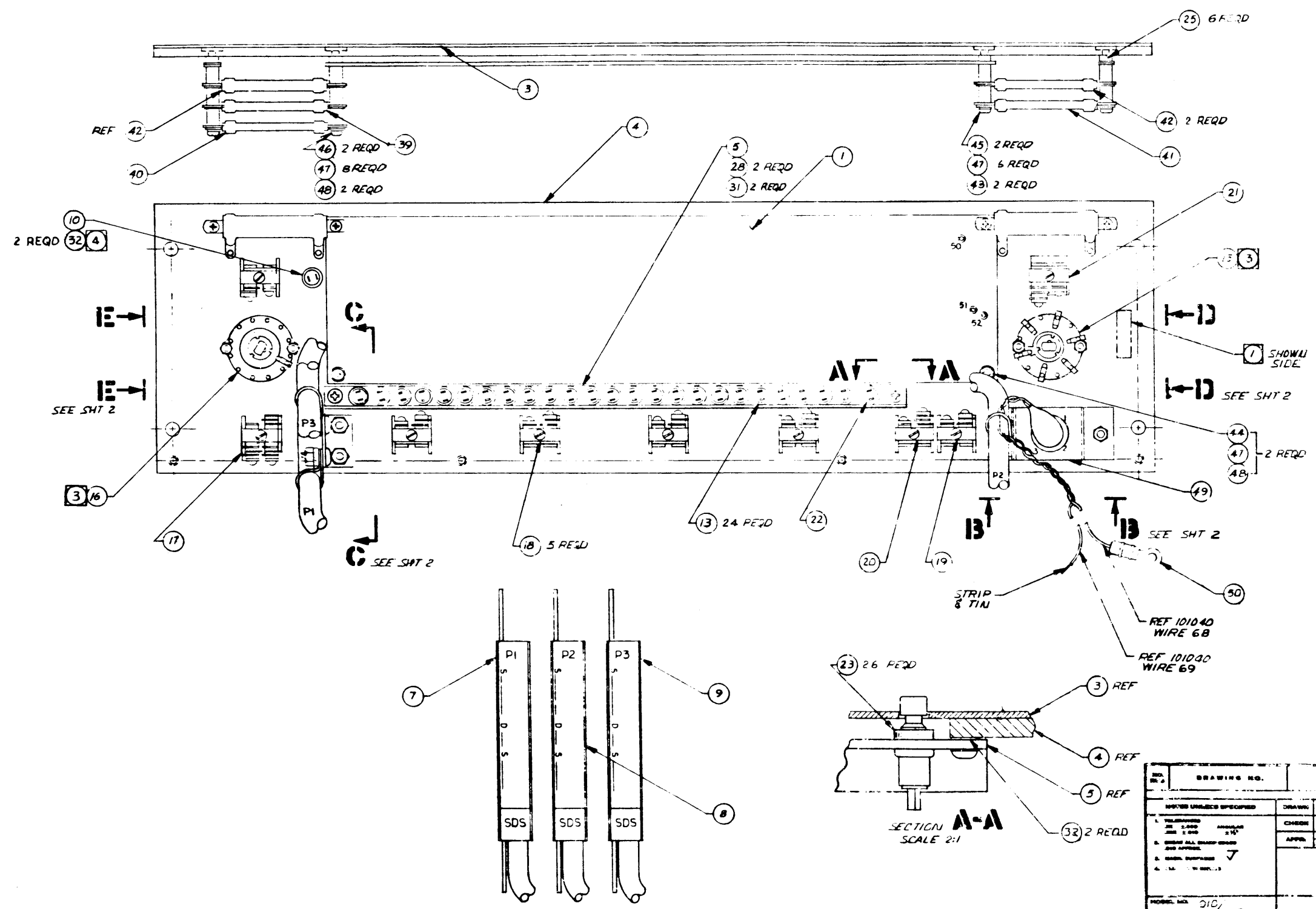
101157 H

| | | |
|---------------|--------------------------|-----------------------|
| REVISIONS | DESCRIPTION | REFERENCE DESIGNATION |
| 101157 | SCHEMATIC, CONTROL PANEL | H |
| 90, 920 | 100946 | 101157 |
| MATERIAL LIST | | |
| DATE | BY | CHKD |
| 10/16/63 | C. J. Bensch | 10/16/63 |
| 10/16/63 | 10/16/63 | |
| SDS | | |
| 6 OF 6 | | |

279

- NOTES: UNLESS OTHERWISE SPECIFIED
- 1 IDENTIFY PART PER SDS 100198.
 2. REF WIRE LISTS: 101040, 101041, 101042, 101043.
 - 3 LOCK WASHERS FURNISHED WITH ITEMS 15 & 16 TO BE ON REAR SIDE OF PANEL.
 - 4 MOUNT FLAT WASHERS (ITEM 52) ON REAR SIDE OF PANEL.

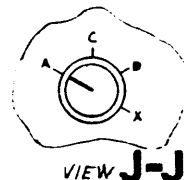
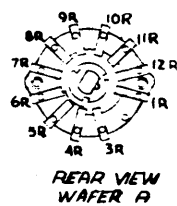
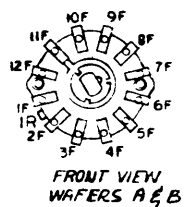
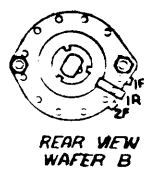
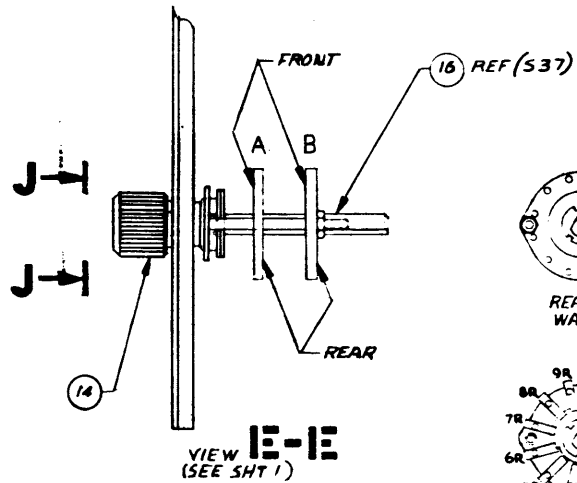
| REVISIONS | | | |
|-----------|-------------------|-----|------|
| REV | DESCRIPTION | CHK | DATE |
| G | SEE REV. E.O. | | |
| H | SEE REV. E.O. | | |
| J | SEE REVISION E.O. | | |
| K | SEE REVISION E.O. | | |
| L | SEE REVISION E.O. | | |
| M | SEE REVISION E.O. | | |
| N | SEE REVISION E.O. | | |



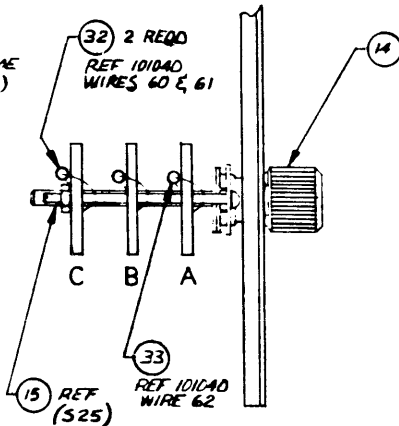
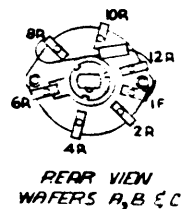
| DRAWING NO. | | DESCRIPTION | | REFERENCE DESIGNATION | |
|---|---------------|-------------|---------|-----------------------|--------|
| MATERIAL LIST | | | | | |
| 1. MATERIALS | 2. QUANTITIES | 3. CHECKED | 4. DATE | SDS | |
| ASSY, CONTROL PANEL | | | | | |
| MODEL NO. | 100913 | REV. | D | DATE | 100946 |
| SCALE: 1:1 DO NOT SCALE DIMENSIONS SHEET 1 OF 4 | | | | | |

100946 N

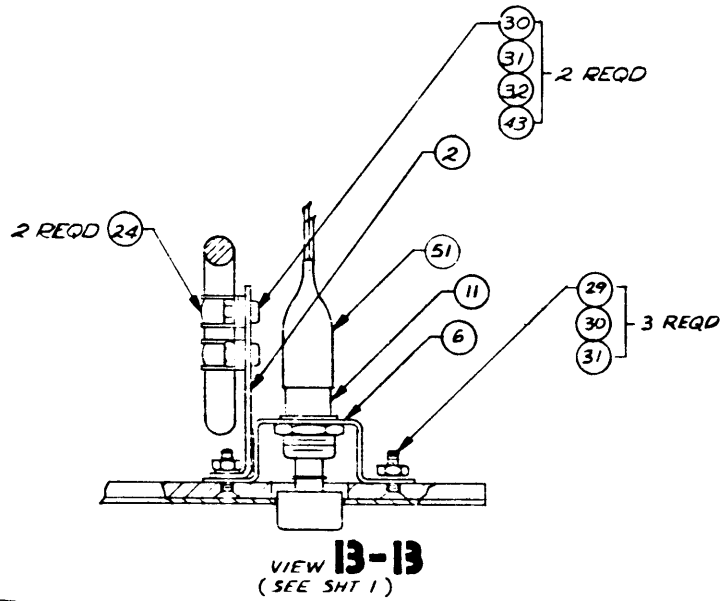
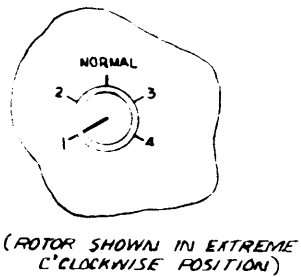
| REVISION 1 | | 100946 N | |
|------------|-------------|----------|---------------|
| REV. | DESCRIPTION | CHK. | DATE APPROVED |
| | SEE SHT 1 | | |



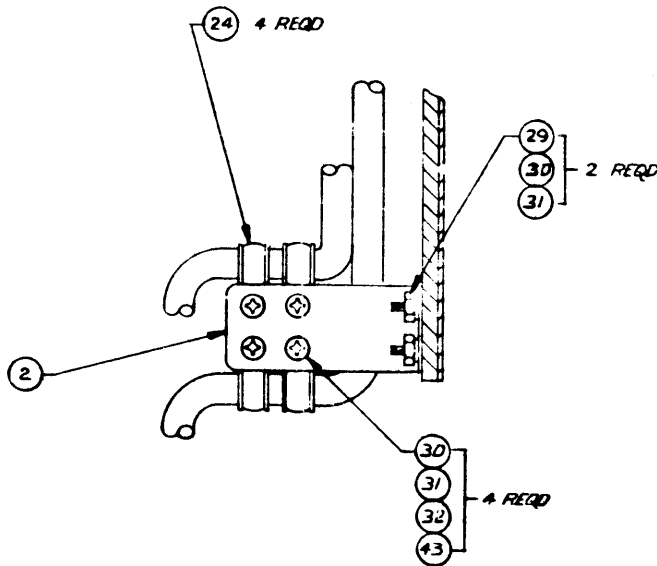
(ROTOR SHOWN IN EXTREME
CLOCKWISE POSITION)



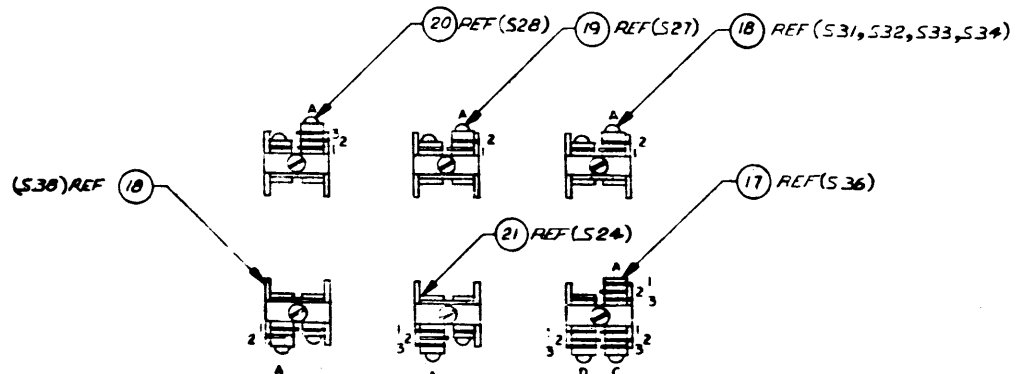
VIEW I-I
(SEE SHT 1)



VIEW B-B
(SEE SHT 1)



SECTION C-C
(SEE SHT 1)



LEVER SWITCHES TO BE INSTALLED
IN SHOWN POSITIONS. WIRING POINTS
ARE INDICATED. (REF WIRE LIST 101040)

280

100946 N

| REV. | DRAWING NO. | DESCRIPTION | REFERENCE DESIGNATION | ITEM |
|---|---------------------|--------------------|--|----------------------|
| | | MATERIAL LIST | | |
| NOTED UNLESS SPECIFIED | DRAWN | J. H. WISSE | SDS | GENERAL DATA SYSTEMS |
| 1. DIMENSIONS UNLESS OTHERWISE SPECIFIED | CHECK | Cl Bonard W. W. W. | 1045 PATTERSON STREET, SHELTON, CALIFORNIA | |
| 2. DIMENSIONS UNLESS OTHERWISE SPECIFIED | APPR. | G. W. W. W. | TITLE | |
| 3. DIMENSIONS UNLESS OTHERWISE SPECIFIED | ASSY, CONTROL PANEL | | | |
| 4. DIMENSIONS UNLESS OTHERWISE SPECIFIED | MODEL NO. | 910/920 | D | 100946 N |
| | VIEW NO. | 100946 | | |
| | | | SCALE | SHEET 2 OF 4 |

| MATERIAL LIST | | SDS SCIENTIFIC DATA SYSTEMS | | ML | DWG. NO. | |
|---------------|-----|-----------------------------|--------------------------------|-------------|--------------|------------------------|
| DWG. TITLE | | MOD # 910/920 | | DATE 7/1/62 | SHEET 3 OF 4 | |
| DWG. NO. | REV | ITEM | DWG. TITLE | DWG. NO. | NO. REQ. | REMARKS OR CKT. DESIG. |
| 100946 | ML | 1 | Assy, Indicator Board | 100945 | 1 | |
| | | 2 | Angle, Cable Clamp Mtg | 100944 | 2 | |
| | | 3 | Panel, Overlay Comp. Cont. | 100052 | 1 | |
| | | 4 | Panel, Sub Comp. Cont. | 100056 | 1 | |
| | | 5 | Angle, Switch Mtg | 105185 | 1 | |
| | | 6 | Bracket, Switch Mtg. | 100058 | 1 | |
| | | 7 | Assy, Cable Plug Module | 100968 | 1 | P1 |
| | | 8 | Assy, Cable Plug Module | 100969 | 1 | P2 |
| | | 9 | Assy, Cable Plug Module | 100970 | 1 | P3 |
| | | 10 | Switch, Pushbutton | 101255-001 | 1 | S35 |
| | | 11 | Switchlight P. B. Spec. Cont. | 100051 | 1 | S26 |
| | | 12 | Switch, Pushbutton | 100074-001 | 2 | S35, S29 |
| | | 13 | Switch, Pushbutton | 101804-002 | 24 | S1 thru S23, S30 |
| | | 14 | Knob, Knurled | 100059 | 2 | S25, S37 |
| | | 15 | Switch, Rotary 5 Pos. | 101038 | 1 | S25 |
| | | 16 | Switch, Rotary 4 Pos. | 101039 | 1 | S37 |
| | | 17 | Switch, Lever | 101521 | 1 | S36 |
| | | 18 | Switch, Lever Form A Lock Non | 100933 | 5 | S31, 32, 33, 34, 33 |
| | | 19 | Switch, Lever, Form A Lock | 101266 | 1 | S27 |
| | | 20 | Switch, Lever Form D Lock | 100934 | 1 | S28 |
| | | 21 | Switch, Lever, Form C Lock Non | 101520 | 1 | S24 |
| | | 22 | Switch, Pushbutton | 101804-001 | 1 | S29 |
| | | 23 | Nut, Ring | 100114 | 26 | |
| | | 24 | Clamp, Cable Nylon | 100657-005 | 6 | |
| | | 25 | Standoff, Threaded Rivet | 101666-402 | 6 | |
| | | 26 | Wire, Solid Teflon Ins | 100239-024 | 50 Ft | |
| | | 27 | Tubing, Teflon | 100274-022 | 50 Ft | |
| | | 28 | Screw, Pan Hd Rec. Phillip | 100012-305 | 2 | |
| | | 29 | Screw, Fl. Hd, Phil. (100%) | 100039-308 | 5 | |
| | | 30 | Nut, Hex Machine | 100008-300 | 1 | |
| | | 31 | Washer, Lock Int. Tooth | 100024-300 | 13 | |
| | | 32 | Washer, Flat | 100018-300 | 8 | |
| | | 33 | Resistor, 1/2 watt | 100111-102 | 2 | Ref. Wire List |
| | | 34 | Resistor, 1/2 watt | 100111-273 | 1 | Ref. Wire List |
| | | 35 | List, Wire, Cont. Panel | 101040 | x | Ref. |
| | | 36 | List, Wire (Cable Plug Mod) | 101041 | x | Ref. P1 |
| | | 37 | List, Wire, Cable Plug Mod | 101042 | x | Ref. P2 |
| | | 38 | List, Wire, Cable Plug Mod | 101043 | x | Ref. P3 |

SDS-E-106

| MATERIAL LIST | | SDS SCIENTIFIC DATA SYSTEMS | | ML | DWG. NO. | REV |
|---------------|-------------------------|-----------------------------|---------------------------|-------------|--------------|------------------------|
| DWG. TITLE | | MOD # 910/920 | | DATE 2-2-62 | SHEET 4 OF 4 | |
| DWG. NO. | REV | ITEM | DWG. TITLE | DWG. NO. | NO. REQ. | REMARKS OR CKT. DESIG. |
| 100946 | ML | 39 | Resistor, Wirewound 20W | 101155-102 | 1 | R4 |
| | | 40 | Resistor, Wirewound 20W | 101155-152 | 1 | R5 |
| | | 41 | Resistor, Wirewound 20W | 101155-251 | 1 | R2 |
| | | 42 | Resistor, Wirewound 20W | 101155-501 | 2 | R1, R3 |
| | | 43 | Screw, Pan Hd | 100012-306 | 6 | |
| | | 44 | Screw, Pan Hd | 100012-204 | 2 | |
| | | 45 | Screw, Pan Hd | 100012-218 | 2 | |
| | | 46 | Screw, Pan Hd | 100012-224 | 2 | |
| | | 47 | Washer, Flat | 100018-200 | 16 | |
| | | 48 | Washer, Lock Int. Tooth | 100024-200 | 6 | |
| | | 49 | Wire, Stranded, Insul. | 100238-016 | 10 ft | |
| | | 50 | Term. Insul., Ring Tongue | 100988-001 | 1 | |
| 51 | Tubing, Ins. Shrinkable | 100744-313 | 1-1/2' | | | |
| 52 | Washer, Flat | 100018-600 | 2 | | | |

SDS-E-106